



LASERJET ENTERPRISE 500 MFP

Repair Manual



M525



HP LaserJet Enterprise 500 MFP M525 Printers

Repair Manual

Copyright and License

© 2012 Copyright Hewlett-Packard Development Company, L.P.

Reproduction, adaptation, or translation without prior written permission is prohibited, except as allowed under the copyright laws.

The information contained herein is subject to change without notice.

The only warranties for HP products and services are set forth in the express warranty statements accompanying such products and services. Nothing herein should be construed as constituting an additional warranty. HP shall not be liable for technical or editorial errors or omissions contained herein.

Edition 1, 5/2012

Part number: CF116-90902


Trademark Credits

Adobe®, Acrobat®, and PostScript® are trademarks of Adobe Systems Incorporated.


Microsoft®, Windows®, Windows® XP, and Windows Vista® are U.S. registered trademarks of Microsoft Corporation.

ENERGY STAR and the ENERGY STAR mark are registered U.S. marks.

Conventions used in this guide

 **TIP:** Tips provide helpful hints or shortcuts.

 **NOTE:** Notes provide important information to explain a concept or to complete a task.

 **CAUTION:** Cautions indicate procedures that you should follow to avoid losing data or damaging the product.


 **WARNING!** Warnings alert you to specific procedures that you should follow to avoid personal injury, catastrophic loss of data, or extensive damage to the product.

Table of contents

1 Removal and replacement	1
Removal and replacement strategy	2
General cautions during removal and replacement	2
Electrostatic discharge	2
Required tools	3
Types of screws	3
Service approach	5
Before performing service	5
After performing service	5
Post-service test	5
Print-quality test	5
Location of connectors	7
DC controller connections	7
Formatter connections	9
Parts removal order	10
Removal and replacement procedures	12
Customer self repair (CSR) components	12
Toner cartridge	12
Tray 2, Tray 3, or Tray 4 assembly	14
Control-panel HIP cover	15
Control-panel USB cover	15
Control-panel assembly	16
Foam reflector kit (white ADF backing)	19
ADF pickup roller	24
ADF separation pad	26
Fax card and cable	29
Disk drives (HDD and SSM)	31
Remove the HDD	31
Remove the SSM	34
Install a replacement hard drive or SSM	36
External panels, covers, doors, formatter, and stapler	37
Formatter cover	37

Formatter PCA	38
Stapler cover	40
Substitute stapler cover	42
Stapler assembly	43
Rear cover assembly	44
Left cover	48
Right-rear cover	50
Tray 1 cover	52
Cartridge-door assembly	54
Rear scanner cover	56
ADF front cover	57
ADF rear cover	59
Right cover assembly	61
Right handle cover and bracket	66
Reinstall the right handle cover and bracket	69
ADF assemblies and scanner	70
Deskew mylar and separation mylar	70
ADF tray extender	72
ADF PCA	73
ADF jam access cover	74
ADF roller cover	77
Scanner memory PCA (memory board kit)	79
ADF cable	83
ADF whole unit kit	87
Reinstall the ADF	88
ADF hinge assembly	90
Image scanner whole unit kit	91
Reinstall the image scanner	94
Main assemblies	95
Tray 1 pickup roller	95
Tray 1 separation pad	97
Tray 2, 3, or 4 pickup roller	98
Tray 2, 3, or 4 separation pad	100
Tray 2, 3, or 4 base-plate roller assembly	101
Transfer roller	102
Control-panel cable	103
Fuser	105
Duplex media-feed assembly	108
Registration roller assembly	111
Power-switch assembly	113
Interlock switch assembly	114

Tray sensor PCA	116
Main fan	118
Top cover	120
Laser scanner	123
Tag holder assembly	126
DC controller	127
Low-voltage power supply (LVPS)	131
Tray 2 paper pickup assembly	137
Tray 1 or Tray 2 pickup solenoid	143
Fuser motor	146
Pendulum assembly	148
Sub fan and fan duct	151
Environmental sensor	156
High-voltage power supply (HVPS)	158

2 Parts and diagrams 167

Order parts by authorized service providers	168
Order parts, accessories, and supplies	168
Supplies part numbers	169
Customer self-repair (CSR) and service kits	169
Related documentation and software	172
Fasteners used in this product	172
How to use the parts lists and diagrams	173
Assembly locations	173
Base product (no optional trays or accessories)	173
Base product (optional trays or accessories)	174
Covers	176
ADF and scanner assemblies	178
Control panel assembly	180
ADF assemblies	182
Scanner assemblies	184
Internal assemblies (1 of 6)	186
Internal assemblies (2 of 6)	188
Internal assemblies (3 of 6)	190
Internal assemblies (4 of 6)	192
Internal assemblies (5 of 6)	194
Internal assemblies (6 of 6)	196
Input devices	198
500-sheet input tray (Tray 3 and Tray 4)	198
Alphabetical parts list	200
Numerical parts list	204

1 Removal and replacement

- [Removal and replacement strategy](#)
- [Service approach](#)
- [Removal and replacement procedures](#)


Removal and replacement strategy

General cautions during removal and replacement

This chapter describes the removal and replacement of field-replaceable units (FRUs) only.


Replacing FRUs is generally the reverse of removal. Occasionally, notes and tips are included to provide directions for difficult or critical replacement procedures.

HP does *not* support repairing individual subassemblies or troubleshooting to the component level.


 **WARNING!** Turn the product off, wait 5 seconds, and then remove the power cable before attempting to service the product. If this warning is not followed, severe injury can result, in addition to damage to the product. The power must be on for certain functional checks during troubleshooting. However, disconnect the power supply during parts removal.

Never operate or service the product with the protective cover removed from the laser scanner assembly. The reflected beam, although invisible, can damage your eyes.


The sheet-metal parts can have sharp edges. Be careful when handling sheet-metal parts.

 **CAUTION:** Do not bend or fold the flat flexible cables (FFCs) during removal or installation. Also, do not straighten prefolds in the FFCs. You *must* fully seat all FFCs in their connectors. Failure to fully seat an FFC into a connector can cause a short circuit in a PCA.



Incorrectly routed or loose wire harnesses can interfere with other internal components and can become damaged or broken. Frayed or pinched harness wires can be difficult to find. When replacing wire harnesses, always use the provided wire loops, lance points, or wire-harness guides and retainers.

 **NOTE:** To install a self-tapping screw, first turn it counterclockwise to align it with the thread pattern, and then carefully turn it clockwise to tighten. Do not overtighten. If a self-tapping screw-hole becomes stripped, repair the screw-hole or replace the affected assembly.

Note the length, diameter, color, type, and location of each screw. Be sure to return each screw to its original location during reassembly.

 **TIP:** For clarity, some photos in this chapter might show components removed that would not be removed to service the product. If necessary, remove the components listed at the beginning of a procedure before proceeding to service the product.

Electrostatic discharge

 **CAUTION:**  Some parts are sensitive to electrostatic discharge (ESD). Look for the ESD reminder when removing product parts. Always perform service work at an ESD-protected workstation or mat, or use an ESD strap. If an ESD workstation, mat, or strap is not available, ground yourself by touching the sheet-metal chassis *before* touching an ESD-sensitive part.

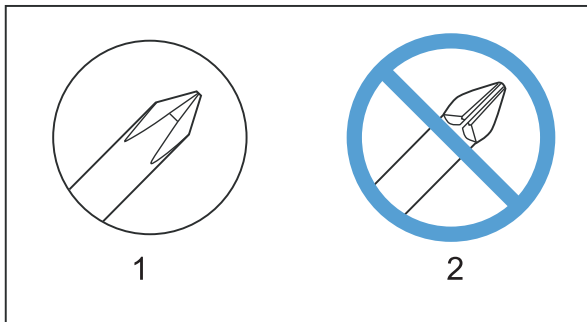
Protect the ESD-sensitive parts by placing them in ESD pouches when they are out of the product.

Required tools

- #2 Phillips 152 mm (6 in) screwdriver with magnetic tip
- #2 Phillips 76 mm (3 in) screwdriver with magnetic tip
- Small flat blade screwdriver
- Small needle-nose pliers
- ESD mat
- Penlight



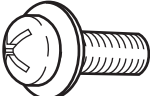
CAUTION: Always use a Phillips screwdriver (callout 1). Do not use a Pozidriv® screwdriver (callout 2) or any motorized screwdriver. These can damage screws or screw threads.

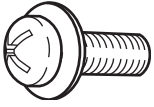
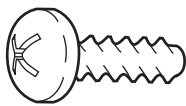
Figure 1-1 Phillips and Pozidriv screwdriver comparison

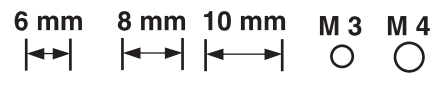


Types of screws

NOTE: The illustration in this section are for reference only. The screws in your product might look slightly different.

Illustration	Description	Size	Part number	Use
	Screw with washer	M3X6	XB2-7300-000CN	Used to secure metal components to metal components (for example, a ground wire to the frame)
	Screw, tapping	M3X6	XA9-1503-000CN	
	Screw	D-M3X6	XA9-1671-000CN	

	Screw	P-M3X8	XB4-5300-807CN	
	Screw, tapping, truss head	M4X10	XB4-7401-005CN	Used to secure anything to plastic



Service approach

Product repair normally begins by using the product internal diagnostics and the following two-step process:

1. Isolate the problem to the major system (for example, the network or server, or the product).
2. Troubleshoot the problem by using the procedures in the solve problems chapter.

After you find a faulty part, the product can usually be repaired at the assembly level by replacing field-replaceable units (FRUs). Some mechanical assemblies might need to be repaired at the subassembly level.

Before performing service

- Remove all paper from the product.
- Turn off the power using the power switch.
- Disconnect the power cable and interface cable or cables.
- Place the product on an ESD workstation or mat, or use an ESD strap (if one is available). If an ESD workstation, mat, or strap is not available, ground yourself by touching the sheet-metal chassis *before* touching an ESD-sensitive part.
- Remove the toner cartridges. See [Toner cartridge on page 12](#).
- Remove the tray or trays. See [Tray 2, Tray 3, or Tray 4 assembly on page 14](#).

After performing service

- Connect the power cable.
- Reinstall the toner cartridges.
- Reinstall the tray or trays.
- If an optional paper feeder was installed, place the product on the feeder.

Post-service test

Perform the following test to verify that the repair or replacement was successful.

Print-quality test

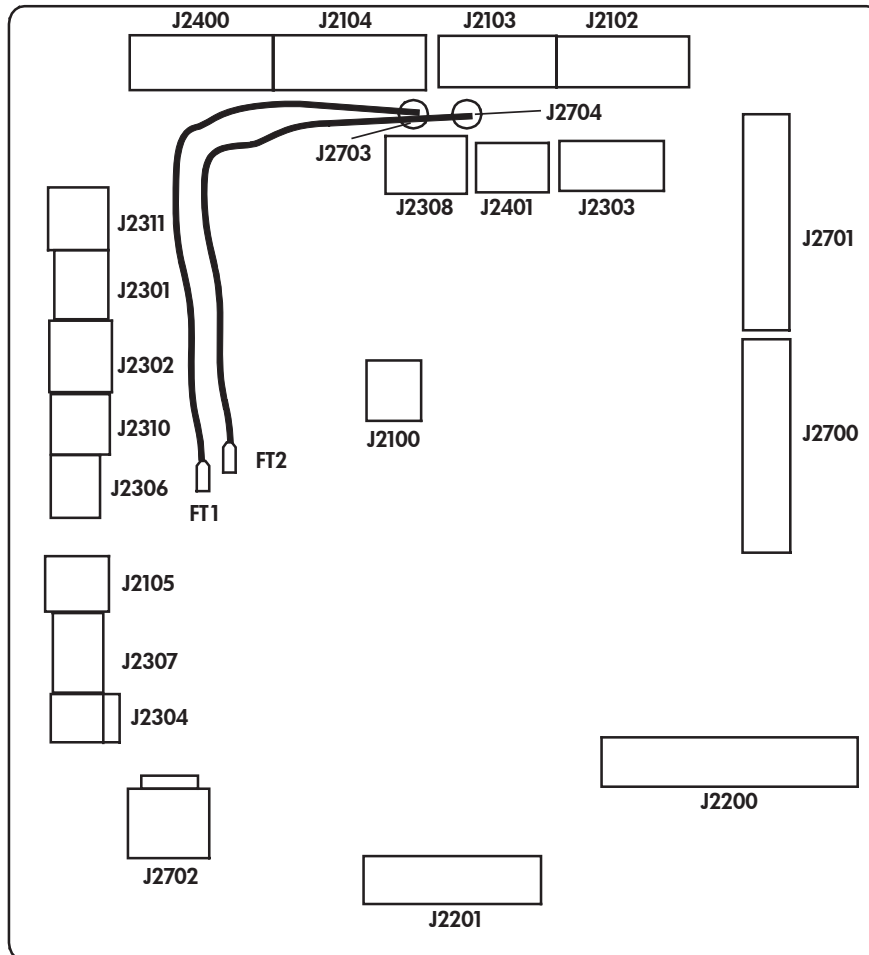
1. Verify that you have completed the necessary reassembly steps.
2. Make sure that the tray contains clean, unmarked paper.
3. Attach the power cable and interface cable or interface cables, and then turn on the product.
4. Verify that the expected start-up sounds occur. The fans start.

5. Print a configuration page, and then verify that the expected printing sounds occur. The fans start and the rollers turn.
6. Print a demo page, and then verify that the print quality is as expected.
7. Send a print job from the host computer, and then verify that the output meets expectations.
8. If necessary, restore any customer-specified settings.
9. Clean the outside of the product with a damp cloth.

Location of connectors

DC controller connections

Figure 1-2 DC controller connections

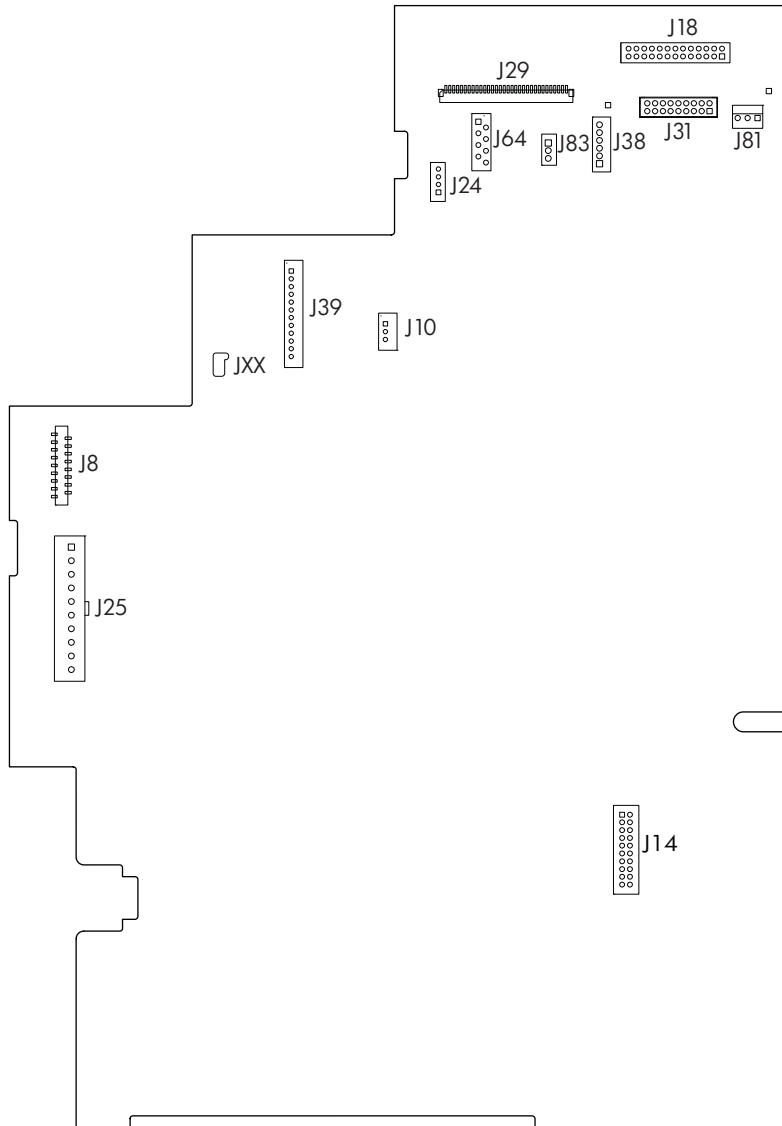


Item	Description	Item	Description	Item	Description
J2100	Not used	J2302	MPT media out sensor (PS205)	J2400	Fuser output sensor (PS2) TH1/TH2
J2102	Fuser motor (M8002)	J2303	Face-up sensor (PS1) Output bin full sensor (PS4)	J2401	
J2103	Main motor (M8003)	J2304	Environmental sensor (TH3)	J2700	LVPS

Item	Description	Item	Description	Item	Description
J2104	Subfan (FM2) Rear door sensor (PS8001) Scanner motor (M3)	J2306	Interlock switch (SW260)	J2701	LVPS
J2105	Power switch (SW240)	J2307	Tray detection switch (SW235)	J2702	LVPS
J2200	HVPS	J2308	Main fan (FM1)	J2703	Cartridge door switch (SW501)
J2201	Paper feeder connector	J2310	CST pickup solenoid (SL2)	J2704	Cartridge door switch (SW501)
J2301	CST media out sensor (PS3)	J2311	MPT pickup solenoid (SL1)		

Formatter connections

Figure 1-3 Formatter connections



Item	Description	Item	Description
J8	LVPS	J31	Scanner
J10	Stapler	J38	Scanner
J14	Fax card	J39	Control panel
J18	Scanner	J64	Scanner
J24	Scanner	J81	No connection (empty)
J25	LVPS	J83	Scanner
J29	Scanner	JXX	Control panel

Parts removal order

Figure 1-4 Parts removal order: covers and customer-replaceable assemblies

Assembly	Remove	Remove	Remove	Remove	Remove	Remove
Formatter cover						
Formatter PCA	Formatter cover					
Stapler cover	Formatter cover					
Substitute stapler cover	Formatter cover					
Stapler assembly	Formatter cover	Stapler cover				
Rear cover assy						
Left cover	Rear cover assy					
Right-rear cover	Formatter cover	Rear cover assy				
Tray 1 cover	Rear cover assy	Left cover				
Cartridge-door assembly	Rear cover assy	Left cover	Tray 1 cover			
Rear scanner cover						
ADF front cover						
ADF rear cover						
Right cover	Formatter cover	Tray 1 cover	Cartridge-door assembly			
Right-handle cover and bracket	Stapler cover	Formatter	Right-rear cover	Tray 1 cover	Cartridge-door assembly	Right cover
Top cover	Stapler assembly	Rear cover	Scanner			
	Rear cover assy					
	Left cover					
Toner cartridge						
Trays 2, 3, 4						
Control panel HIP						
USB cover						
Control panel						
ADF pickup roller						
ADF separation pad						
Fax card and cable	Formatter cover					
Hard drive (HDD)	Formatter cover					
Solid state module (SSM)	Formatter cover					

Figure 1-5 Parts removal order: ADF assemblies and scanner

Assembly	Remove	Remove	Remove	Remove	Remove	Remove
Mylar						
Foam reflector						
ADF tray extender						
ADF PCA	ADF rear cover					
ADF jam-access cover						
ADF roller cover	ADF jam-access cover					
Scanner memory PCA	Formatter cover	Rear cover				
Control panel cable	Formatter cover	Rear cover	ADF rear cover			
ADF whole unit	Formatter cover	Rear cover				
Assy hinge assembly	Formatter cover	Rear cover	ADF whole unit			
Image scanner whole unit	Formatter cover	Rear cover	Rear door assembly	Left cover	Stapler cover	Stapler

Figure 1-6 Parts removal order: main assemblies

Assembly	Remove	Remove	Remove	Remove	Remove	Remove	Remove	Remove
Tray 1 pickup roller								
Tray 1 separation pad								
Tray 2, 3, or 4 pickup roller								
Tray 2, 3, or 4 separation pad								
Tray 2, 3, or 4 base-plate roller assembly								
Transfer roller								
Fuser	Rear cover assy	Right-rear cover						
Duplex media-feed assembly	Rear cover assy	Right-rear cover						
Registration roller assembly	Rear cover assy	Left cover						
Power-switch assembly	Formatter cover Stapler cover Stapler Rear cover assy Left cover	Tray 1 cover	Cartridge-door assembly	Right cover				
Interlock switch assembly		Tray 1 cover	Cartridge-door assembly	Right cover				
Tray sensor PCA		Tray 1 cover	Cartridge-door assembly	Right cover				
Main fan		Tray 1 cover	Cartridge-door assembly	Right cover				
DC controller		Tray 1 cover	Cartridge-door assembly	Right cover	Lower right cover (if removing sheet metal plate)			
Top cover		Scanner rear cover	Scanner					
Laser scanner		Scanner rear cover	Scanner	Top cover				
Tag holder assembly		Scanner rear cover	Scanner	Top cover				
LVPS		Right cover	Lower right cover	Scanner	Top cover	DC controller		
Tray 1 or Tray 2 pickup solenoid		Formatter cover Stapler cover	Right cover	Lower right cover	Scanner	Top cover	DC controller	LVPS
Fuser motor	Stapler	Right cover	Lower right cover	Scanner	Top cover	DC controller	LVPS	
Pendulum assembly	Rear cover assy Left cover	Right cover	Lower right cover	Scanner	Top cover	DC controller	LVPS	Fuser motor
Sub fan and fan duct	Right-rear cover	Right cover	Lower right cover	Scanner	Top cover	DC controller	LVPS	
Environmental sensor	Tray 1 cover Scanner rear cover	Right cover	Lower right cover	Scanner	Top cover	DC controller with plate	LVPS	
Tray 2 paper pickup	Cartridge-door assembly	Duplex media-feed assembly	Right cover	Lower right cover	Scanner	Top cover	DC controller	LVPS
HVPS		Duplex media-feed assembly	Right cover	Lower right cover	Scanner	Top cover	DC controller	LVPS

Removal and replacement procedures

Customer self repair (CSR) components

Toner cartridge

CAUTION: If toner gets on your clothing, wipe it off with a dry cloth and wash clothing in cold water. *Hot water sets toner into fabric.*

1. Press the cartridge-door release button, and then open the cartridge door. Make sure that the door is completely open.

Figure 1-7 Remove the toner cartridge (1 of 2)

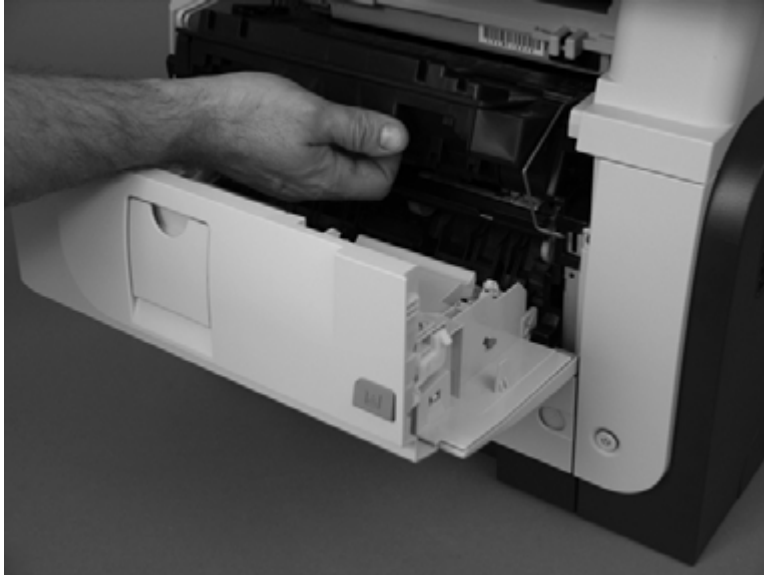


2. Grasp the toner-cartridge handle and pull it out of the product.


⚠ CAUTION: Do not touch the green roller. Doing so can damage the cartridge. Do not expose the cartridge to strong light. Cover the cartridge with a sheet of paper to protect it from light.

💡 Reinstallation tip Align the toner cartridge with its slot and insert the toner cartridge until it clicks into place.

Figure 1-8 Remove the toner cartridge (2 of 2)



Tray 2, Tray 3, or Tray 4 assembly

 **NOTE:** Use this procedure to remove the Tray 2, Tray 3, or Tray 4.

- ▲ Pull the tray straight out of the product until it stops. Carefully lift up on the tray to release it, and then remove the tray.

Figure 1-9 Remove the tray



Control-panel HIP cover

Use a small flat blade screwdriver to carefully separate the cover from the product.

⚠ CAUTION: There are two tabs along each of the long edges of the cover that fasten the cover to the product. Do not break the tabs when the cover is removed.

Figure 1-10 Remove the control-panel HIP cover



Control-panel USB cover

Remove the small cover from USB port on the left side of the control-panel assembly.

Figure 1-11 Remove control-panel USB cover

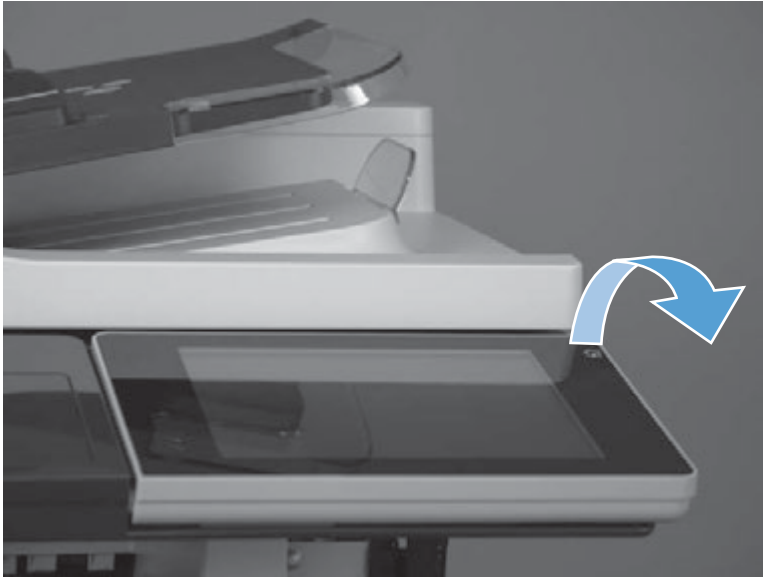


Control-panel assembly

 **WARNING!**  ESD sensitive component.

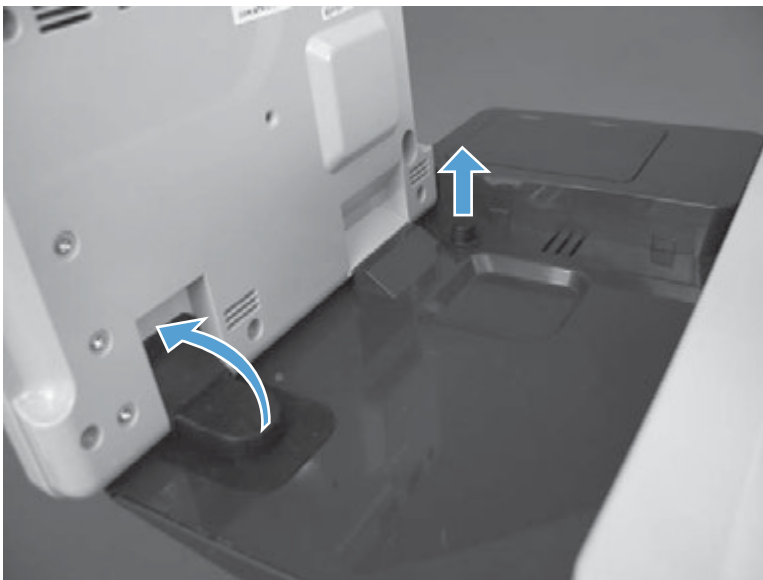
1. Lift the control-panel assembly to an upright position.

Figure 1-12 Remove the control-panel assembly (1 of 5)



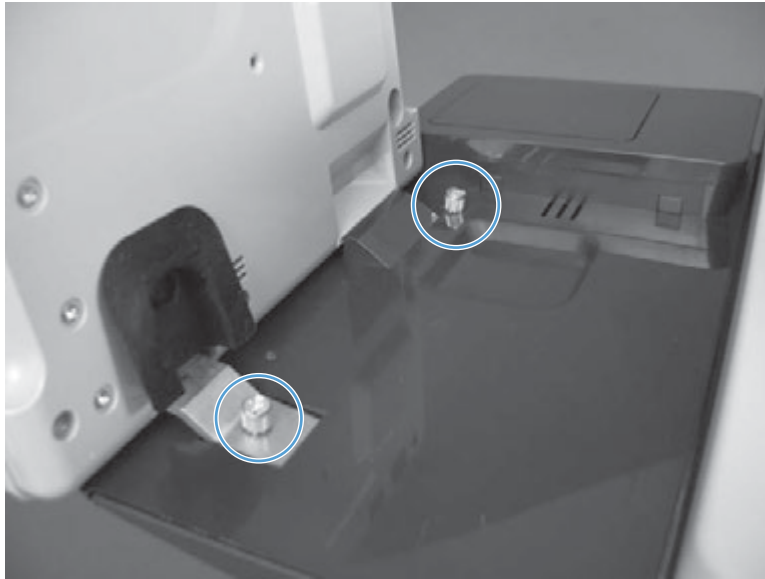
2. Lift the antistatic covers to reveal the thumbscrews.

Figure 1-13 Remove the control-panel assembly (2 of 5)



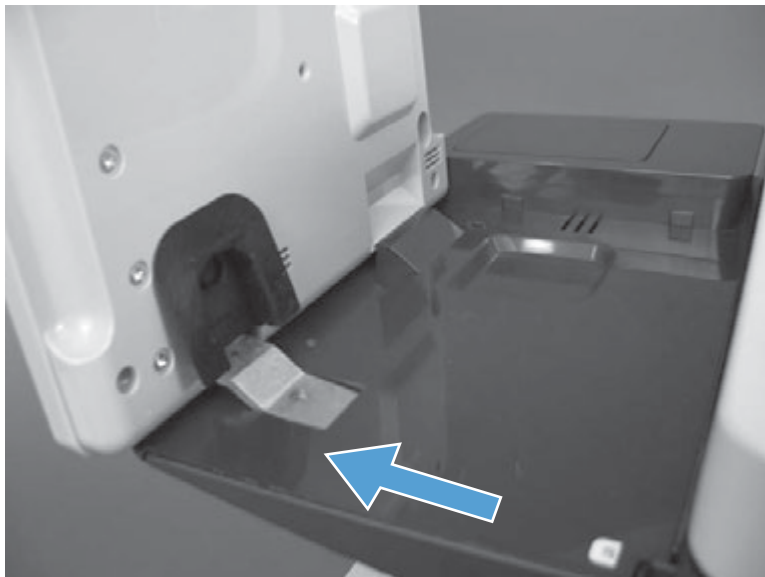
3. Remove two thumbscrews.

Figure 1-14 Remove the control-panel assembly (3 of 5)



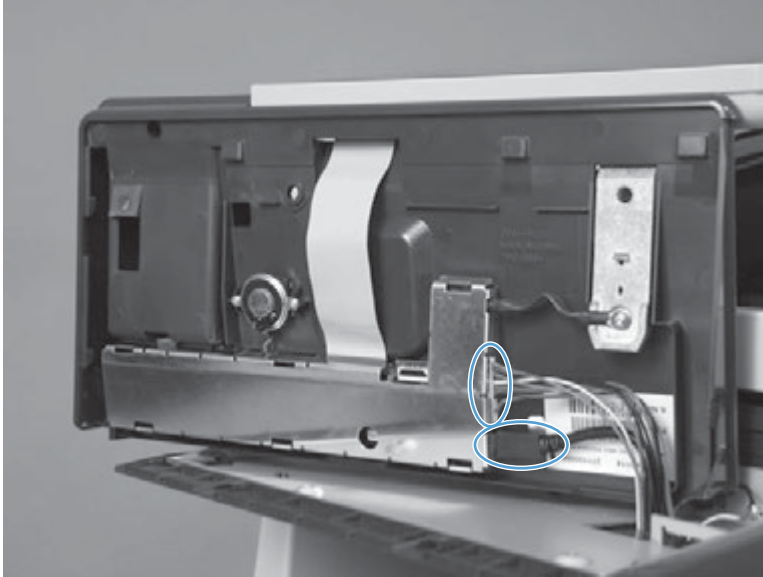
4. Slowly slide the control-panel assembly away from the product to release it. Lift the control-panel assembly to reveal the connectors.

Figure 1-15 Remove the control-panel assembly (4 of 5)



5. Disconnect two connectors and then remove the control-panel assembly.

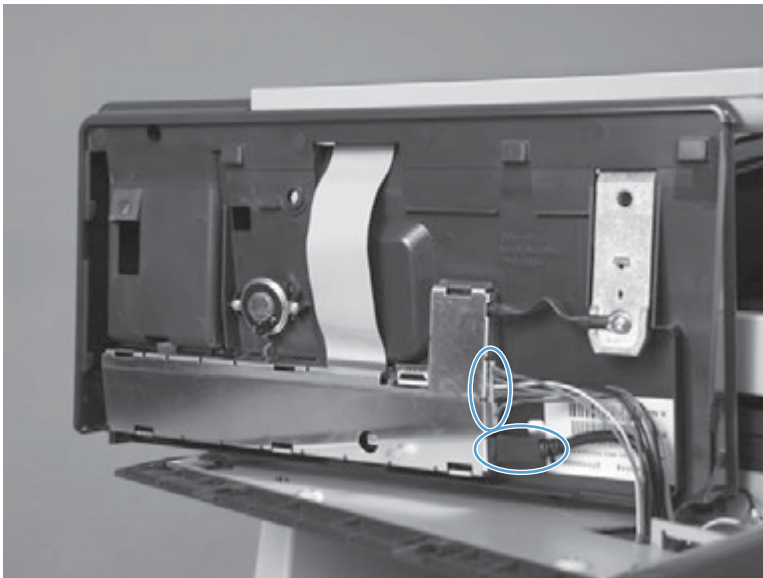
Figure 1-16 Remove the control-panel assembly (5 of 5)



Reinstalling the control-panel assembly

- ▲ Place the control-panel assembly on the product and reconnect the two connectors before attempting to reinstall the control-panel assembly.

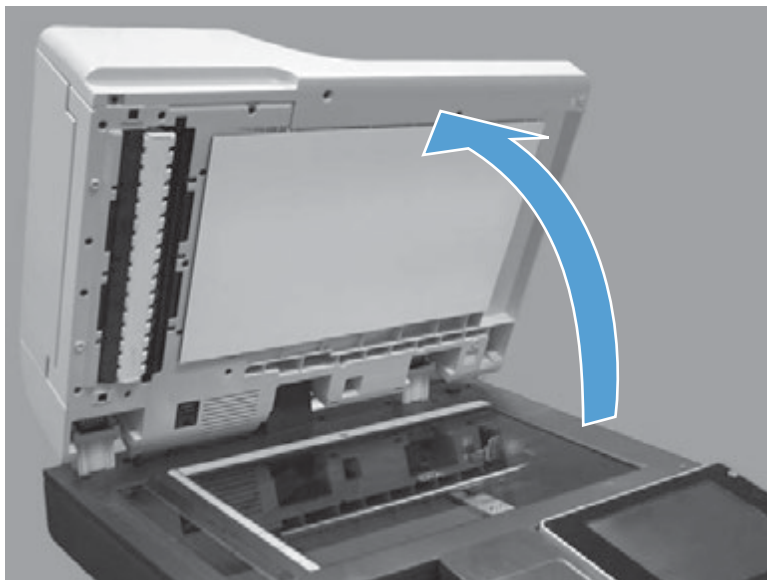
Figure 1-17 Reinstall the control-panel assembly



Foam reflector kit (white ADF backing)

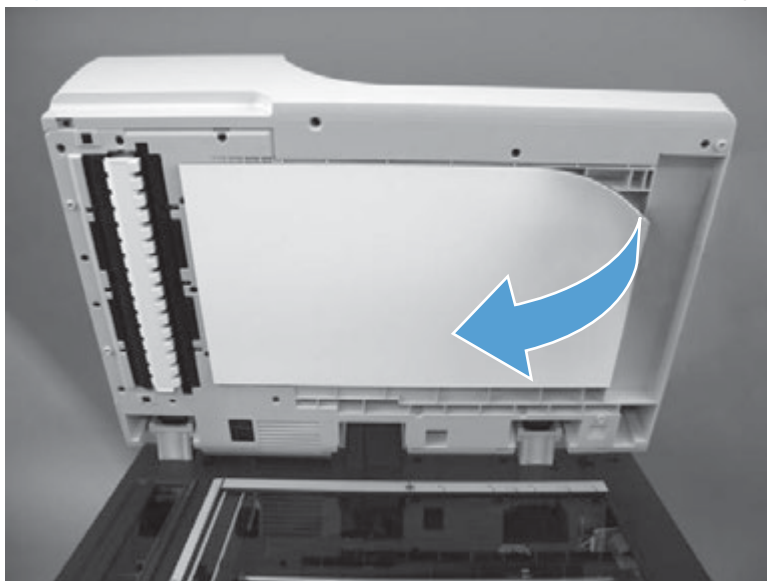
1. Open the ADF.

Figure 1-18 Remove the foam reflector kit (white ADF backing) (1 of 3)



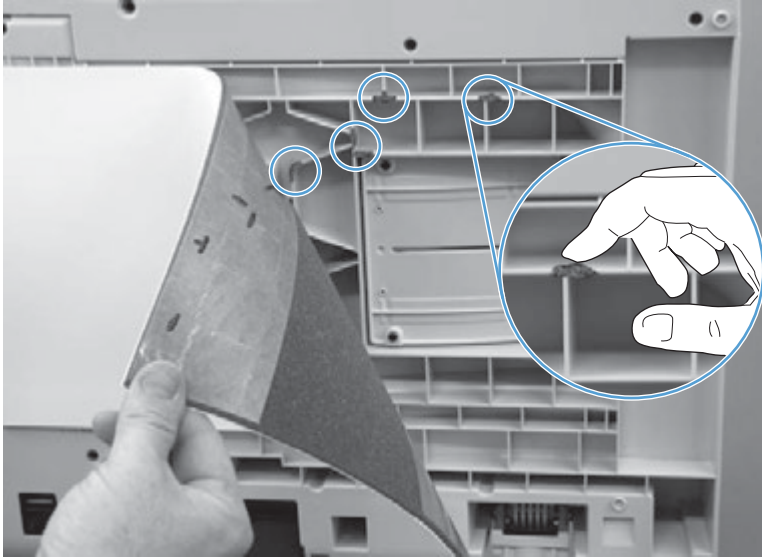
2. Carefully peel the foam reflector from the ADF.

Figure 1-19 Remove the foam reflector kit (white ADF backing) (2 of 3)



3. Remove any debris from the foam reflector.

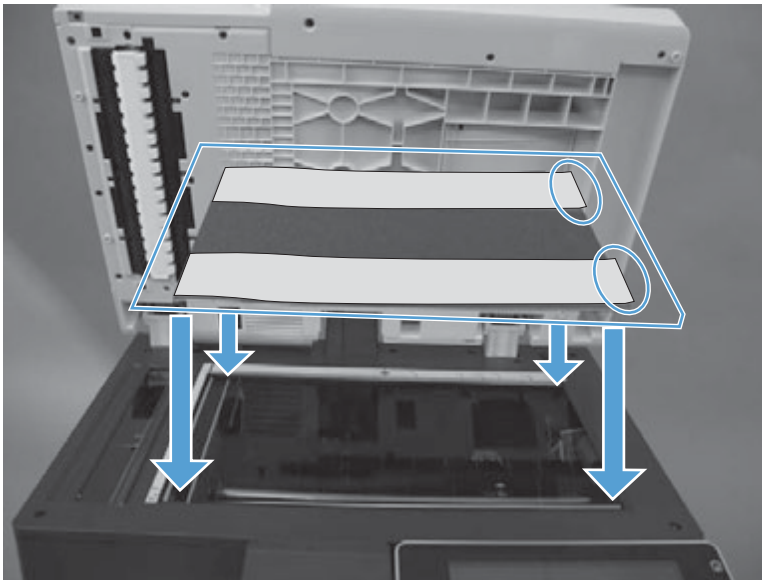
Figure 1-20 Remove the foam reflector kit (white ADF backing) (3 of 3)



Install the foam reflector kit (white ADF backing)

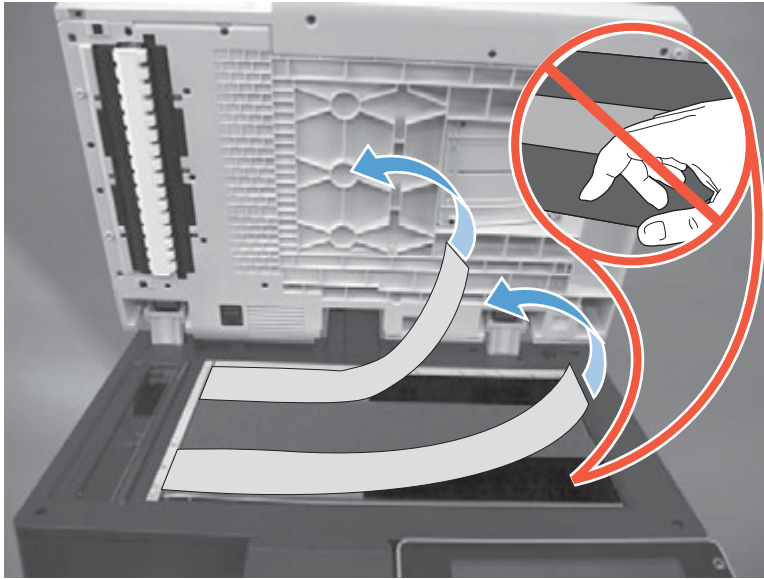
1. Place the reflector on the scanner glass with the adhesive facing up.

Figure 1-21 Install the foam reflector kit (white ADF backing) (1 of 7)



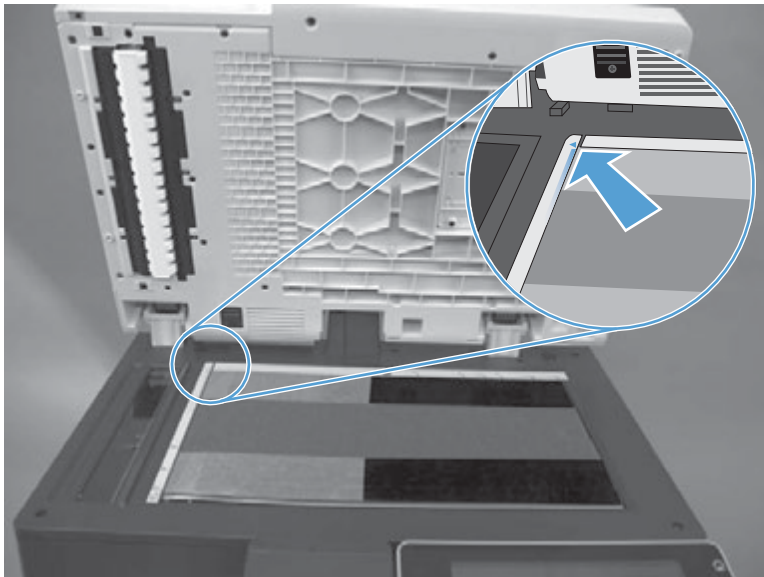
2. Remove the tape from the adhesive.

Figure 1-22 Install the foam reflector kit (white ADF backing) (2 of 7)



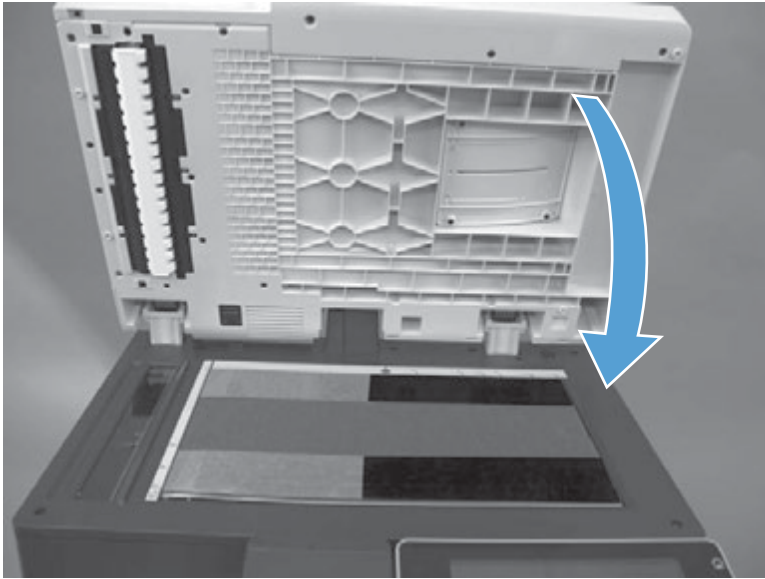
3. Make sure the corner of the foam reflector is aligned with the corner of the scanner glass.

Figure 1-23 Install the foam reflector kit (white ADF backing) (3 of 7)



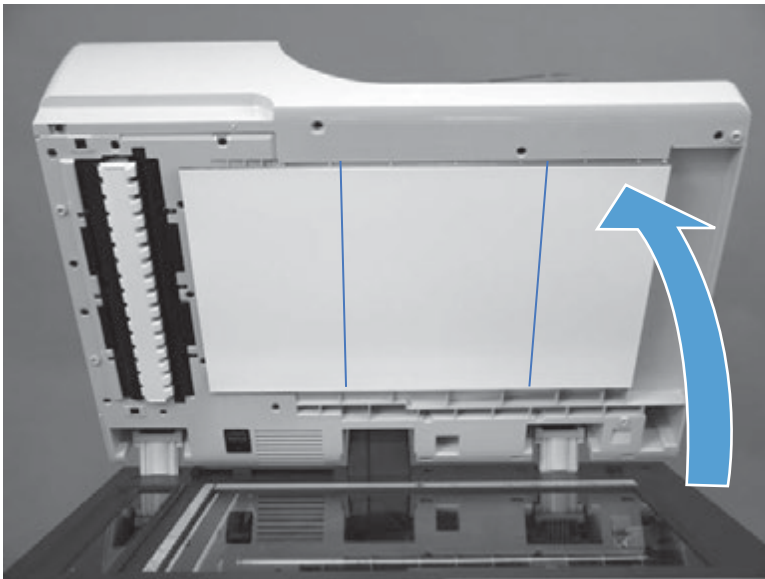
4. Close the ADF lid to attach the foam reflector.

Figure 1-24 Install the foam reflector kit (white ADF backing) (4 of 7)



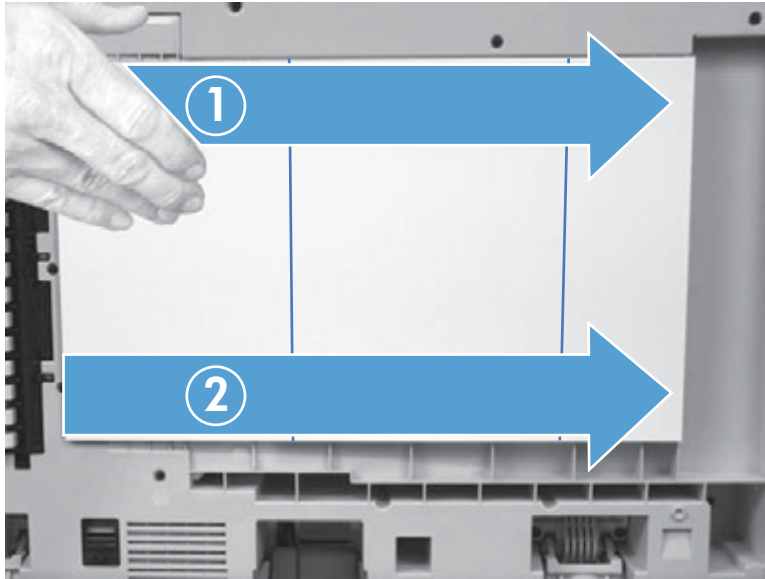
5. Open the ADF lid.

Figure 1-25 Install the foam reflector kit (white ADF backing) (5 of 7)



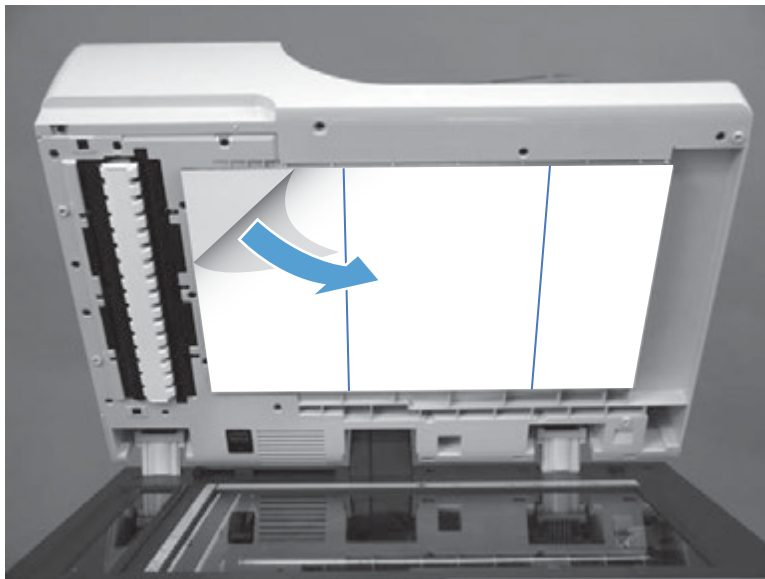
6. Press firmly on the foam reflector to ensure it is securely attached.

Figure 1-26 Install the foam reflector kit (white ADF backing) (6 of 7)



7. Peel off the protective covering.

Figure 1-27 Install the foam reflector kit (white ADF backing) (8 of 8)

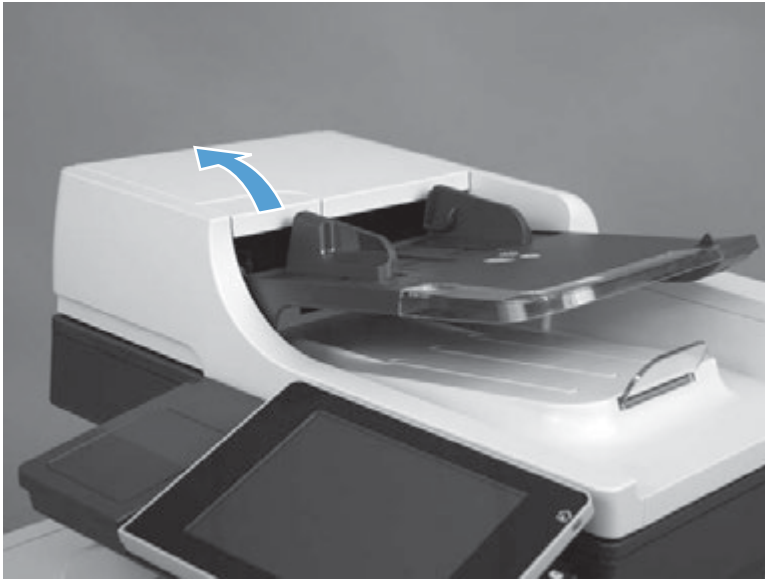


ADF pickup roller

CAUTION: Do not touch the surface of the roller. Skin oils deposited on the roller might cause print-quality problems.

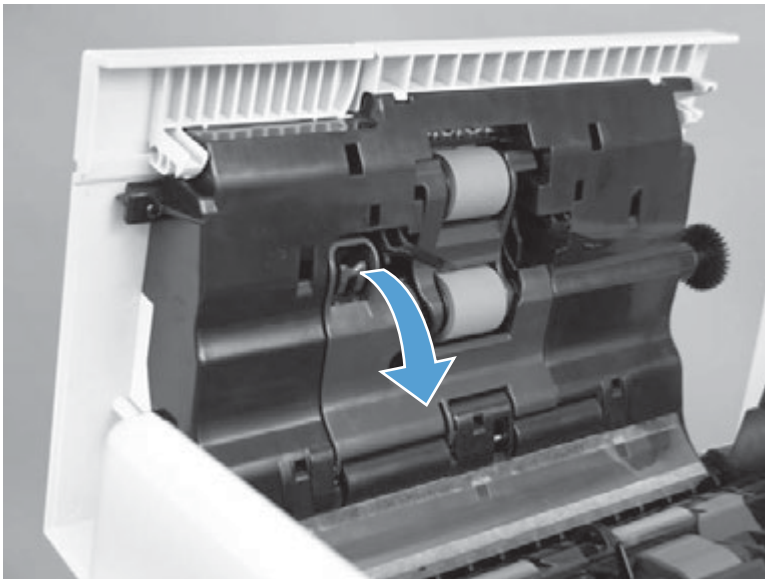
1. Open the jam-access cover.

Figure 1-28 Remove the ADF pickup roller (1 of 4)



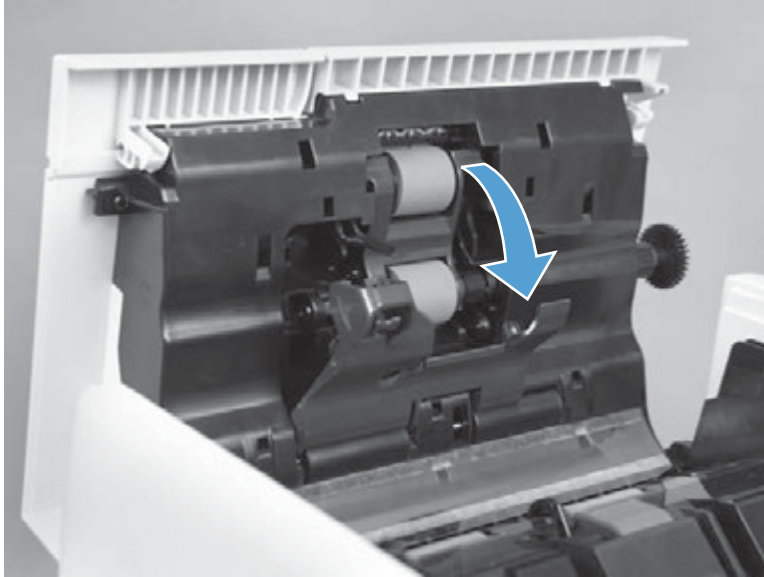
2. Open the roller-access cover.

Figure 1-29 Remove the ADF pickup roller (2 of 4)



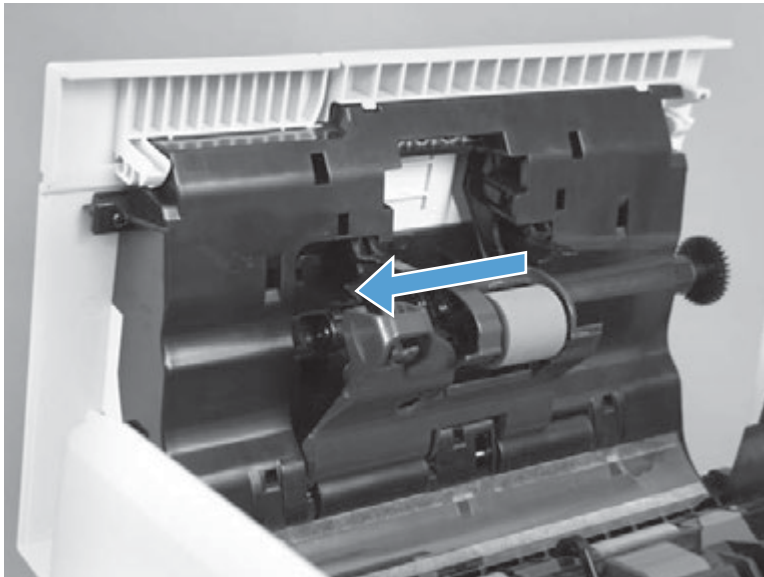
3. Lower the ADF pickup roller.


Figure 1-30 Remove the ADF pickup roller (3 of 4)



4. Slide the roller toward the front of the product to remove.

Figure 1-31 Remove the ADF pickup roller (4 of 4)



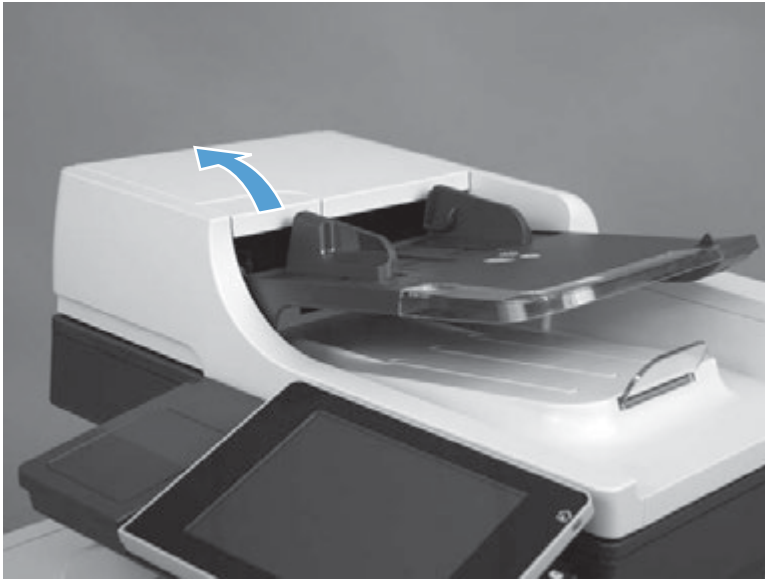
 **Reinstallation tip** Make sure the roller is seated correctly. The roller is keyed.

ADF separation pad

⚠ CAUTION: Do not touch the surface of the roller. Skin oils deposited on the roller might cause print-quality problems.

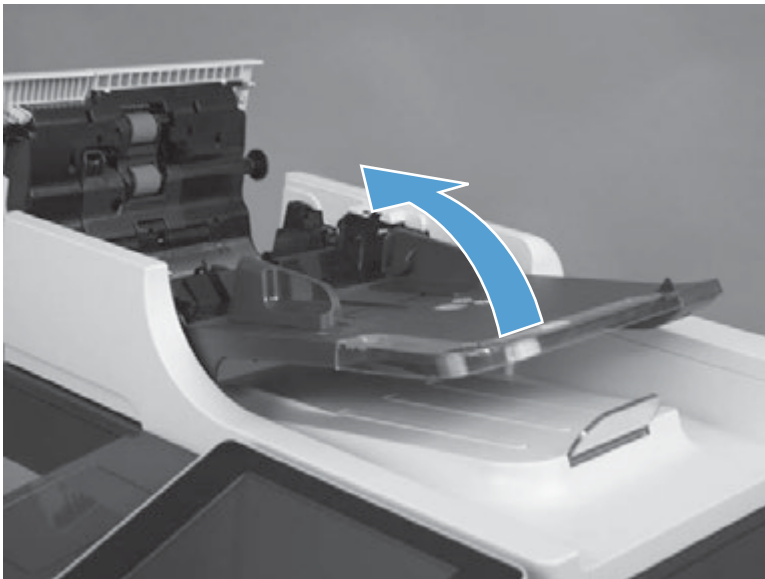
1. Open the jam-access cover.

Figure 1-32 Remove the ADF separation pad (1 of 5)



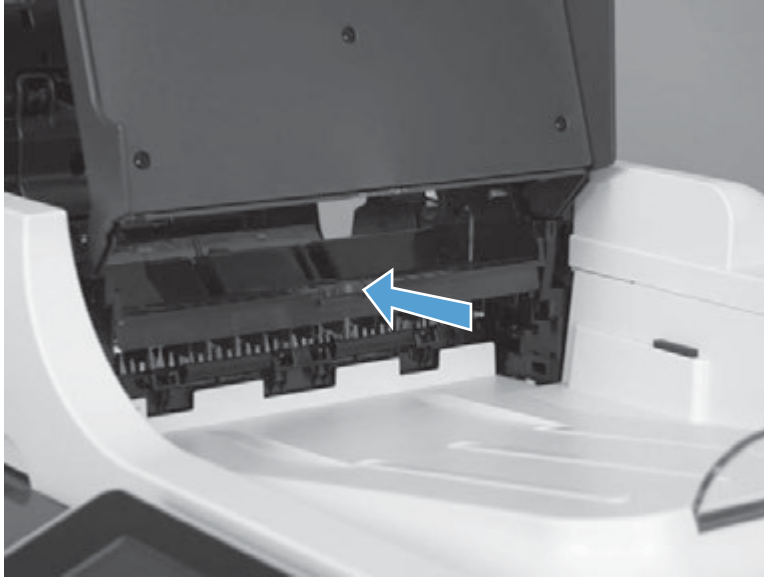
2. Lift the ADF tray.

Figure 1-33 Remove the ADF separation pad (2 of 5)



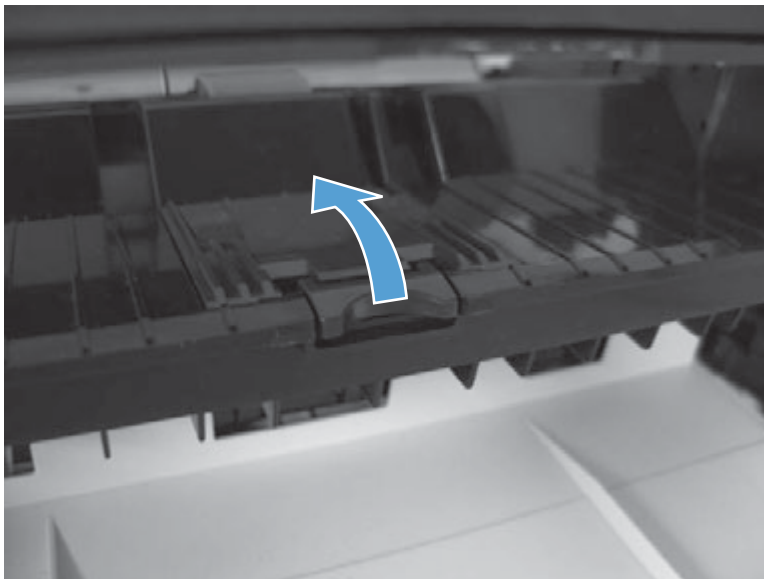
3. Push in on the latch to release the separation pad.

Figure 1-34 Remove the ADF separation pad (3 of 5)



4. Lower the ADF tray, and then lift the separation pad.

Figure 1-35 Remove the ADF separation pad (4 of 5)



5. Remove the separation pad.

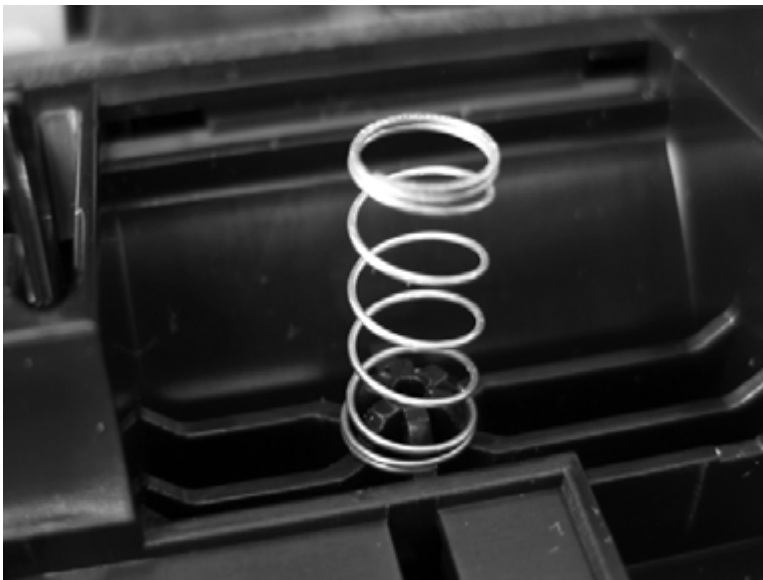
Figure 1-36 Remove the ADF separation pad (5 of 5)



Reinstall the ADF separation pad spring

- ▲ If the spring falls off, make sure to securely reinstall.

Figure 1-37 Reinstall the ADF separation pad spring

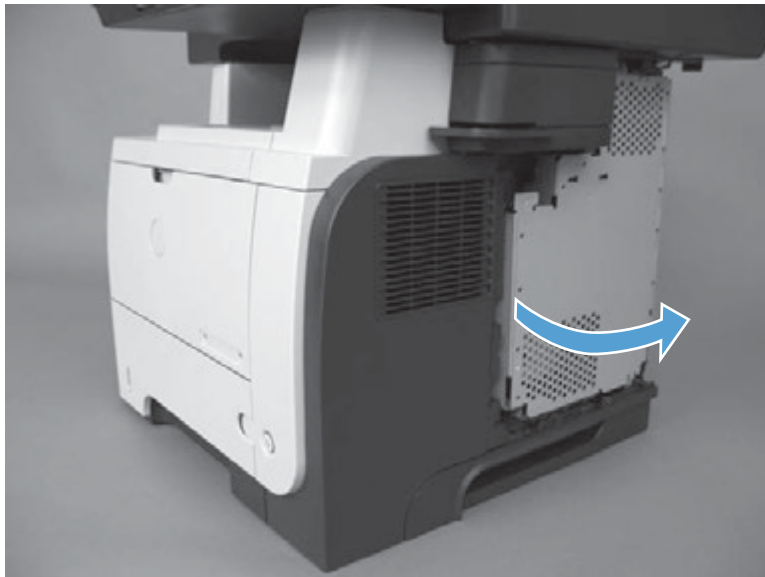


Fax card and cable

⚠ WARNING!  ESD sensitive component.

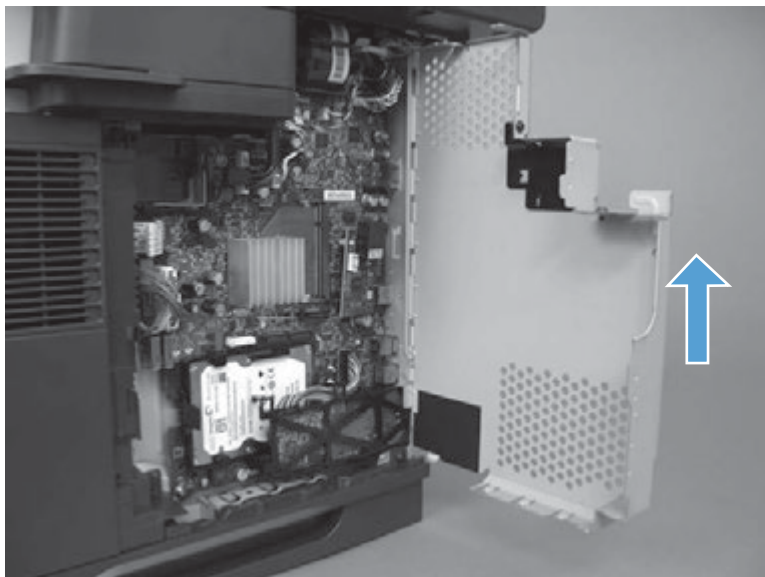
1. Before proceeding, remove the following:
 - Formatter cover. See [Formatter cover on page 37](#).
2. Open the formatter cage.

Figure 1-38 Remove the fax card and cable (1 of 4)



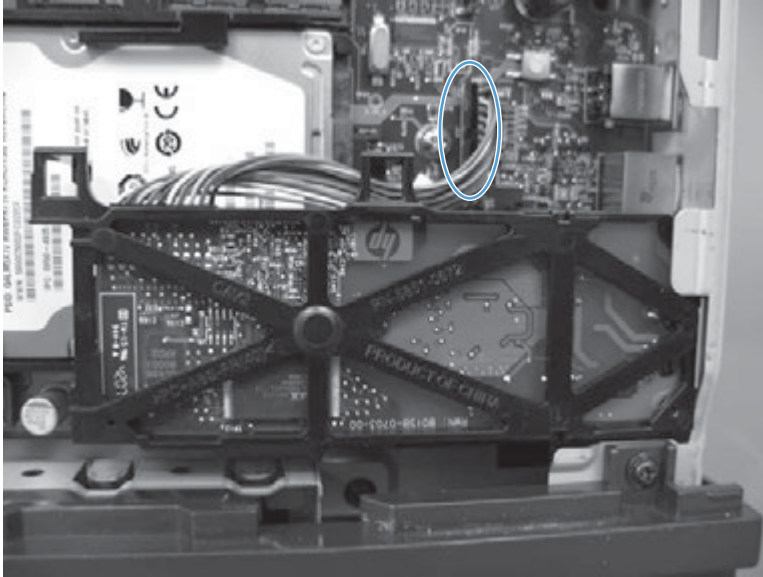
3. Lift and remove the sheet-metal door.

Figure 1-39 Remove the fax card and cable (2 of 4)



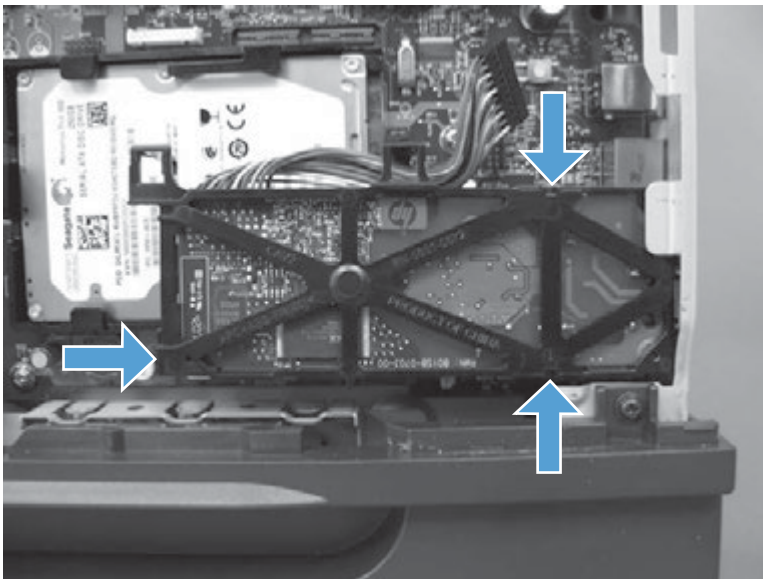
4. Disconnect one connector.

Figure 1-40 Remove the fax card and cable (3 of 4)




5. Press three tabs to release the fax card, and then remove the fax card from the product.

Figure 1-41 Remove the fax card and cable (4 of 4)



Disk drives (HDD and SSM)

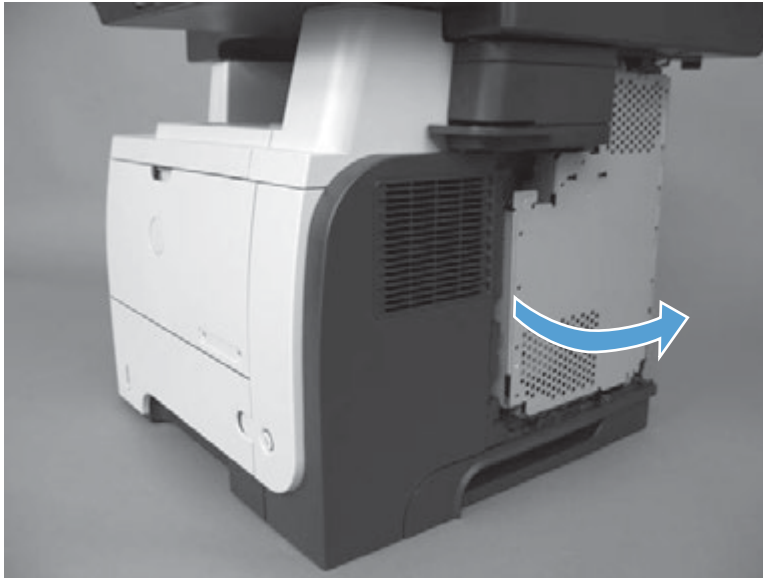
 **NOTE:** The product has a hard disk drive (HDD) or solid state memory (SSM) installed. If you install a replacement hard disk drive (HDD) or solid state memory (SSM), you must reload the product firmware. See [Reload the firmware on page 36](#).

Remove the HDD

 **CAUTION:**  ESD sensitive component.

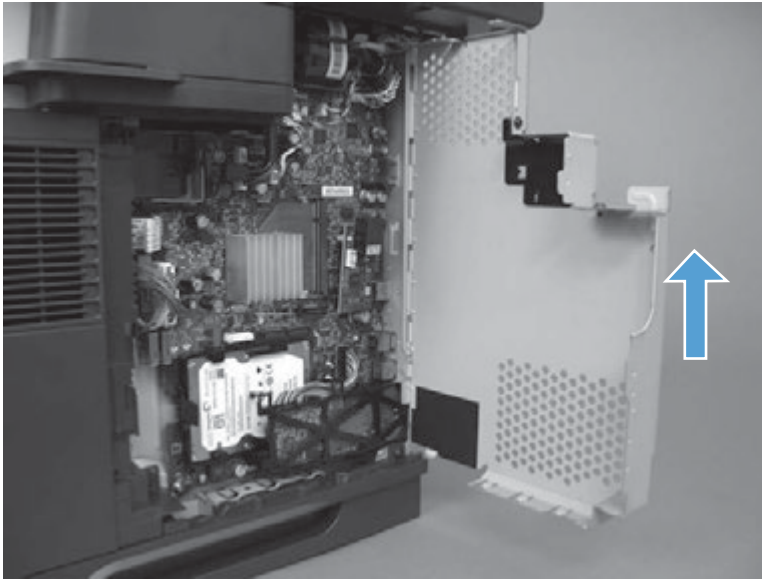
1. Before proceeding, remove the following:
 - Formatter cover. See [Formatter cover on page 37](#).
2. Open the formatter cage.

Figure 1-42 Remove the HDD (1 of 5)



3. Lift and remove the sheet-metal door.

Figure 1-43 Remove the HDD (2 of 5)



4. Push the locking lever to release the hard drive.


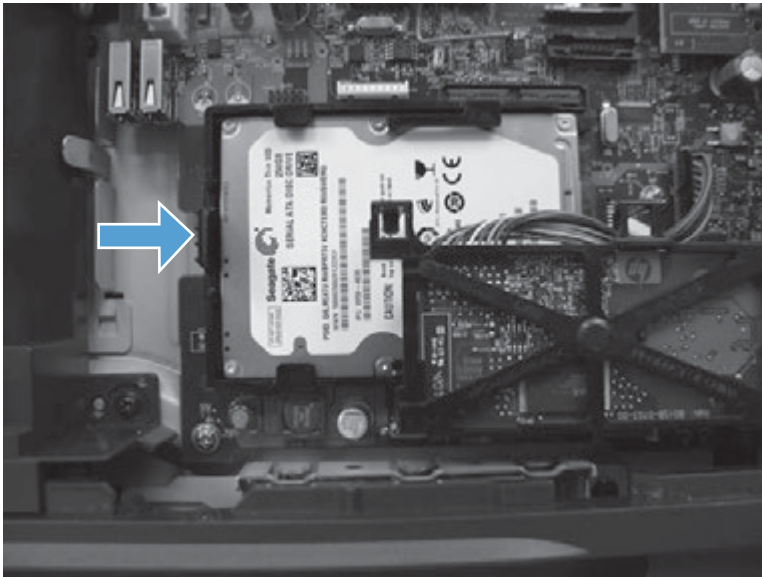
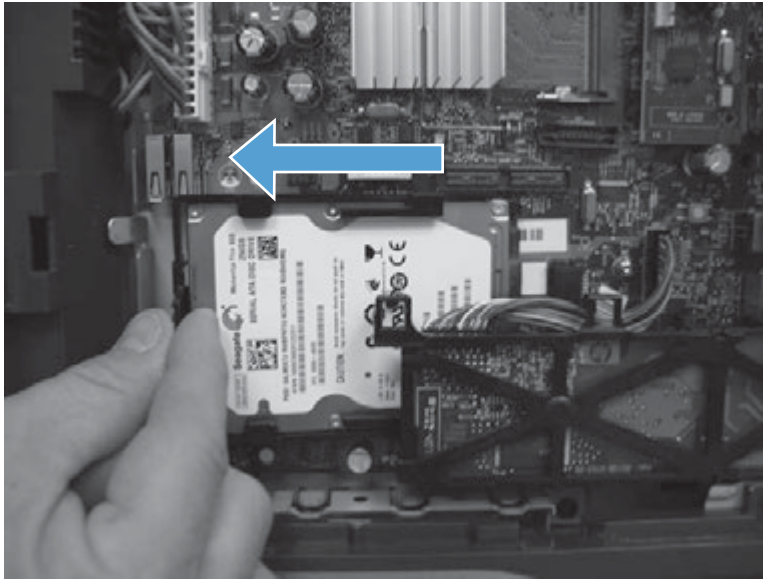
 **Reinstallation tip** When the HDD is reinstalled, make sure that the HDD is fully seated and that the locking lever snaps into the locked position.

Figure 1-44 Remove the HDD (3 of 5)



5. Slide the hard disk drive toward the edge of the formatter and remove.

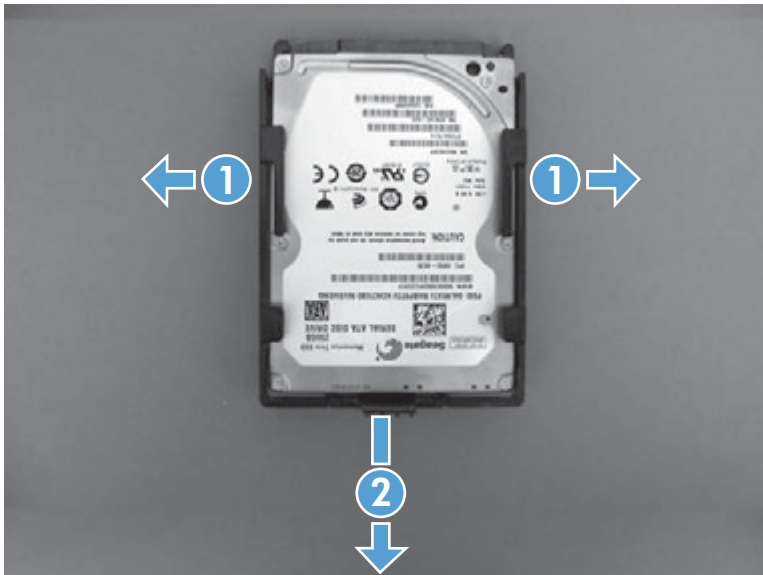
Figure 1-45 Remove the HDD (4 of 5)



6. Carefully separate the plastic side rails one at a time (callout 1) from the hard drive, and then slide the plastic cover (callout 2) from the hard drive.

⚠ CAUTION: The plastic rails can be tight fitting. Remove carefully to avoid breaking.

Figure 1-46 Remove the HDD (5 of 5)



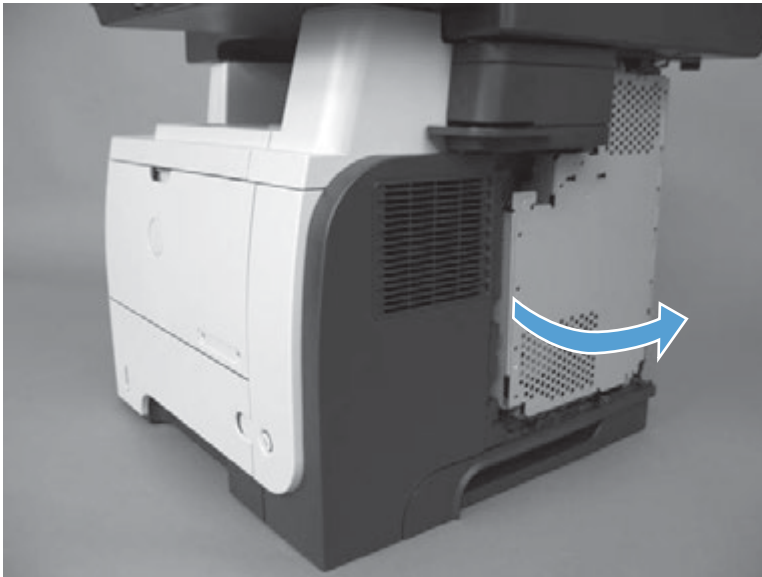
Remove the SSM

CAUTION:  ESD sensitive component.

NOTE: If you install a replacement solid state memory (SSM), you must reload the product firmware. See [Reload the firmware on page 36](#).

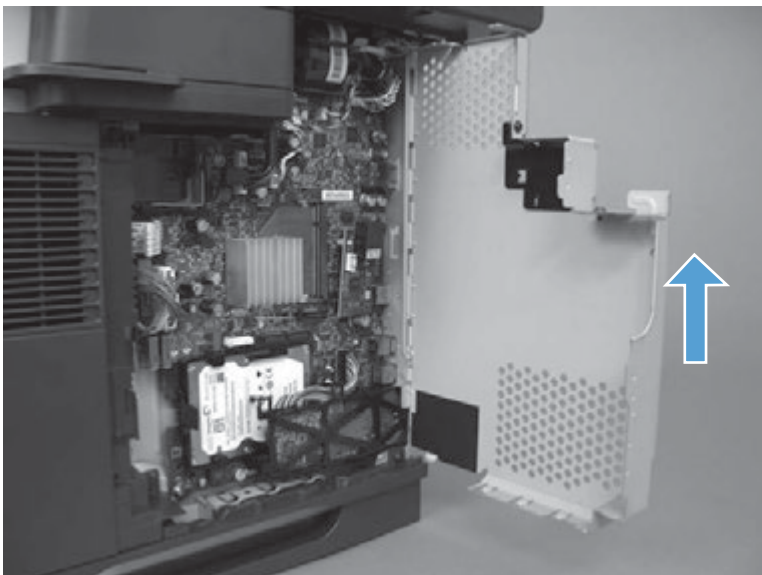
1. Before proceeding, remove the following:
 - Formatter cover. See [Formatter cover on page 37](#).
2. Open the formatter cage.

Figure 1-47 Remove the SSM (1 of 4)



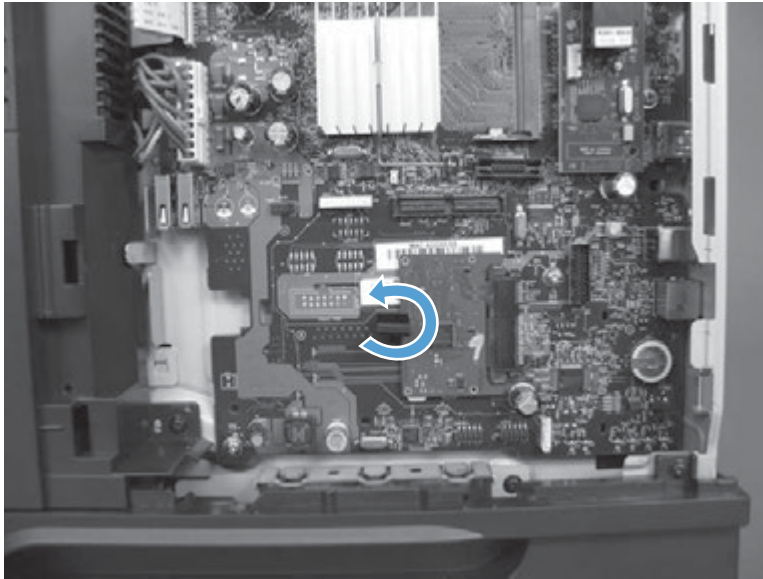
3. Lift and remove the sheet-metal door.

Figure 1-48 Remove the SSM (2 of 4)



4. Turn the locking tab to release it, and then remove the tab.

Figure 1-49 Remove the SSM (3 of 4)



5. Slide the SSM toward the edge of the formatter to remove it.


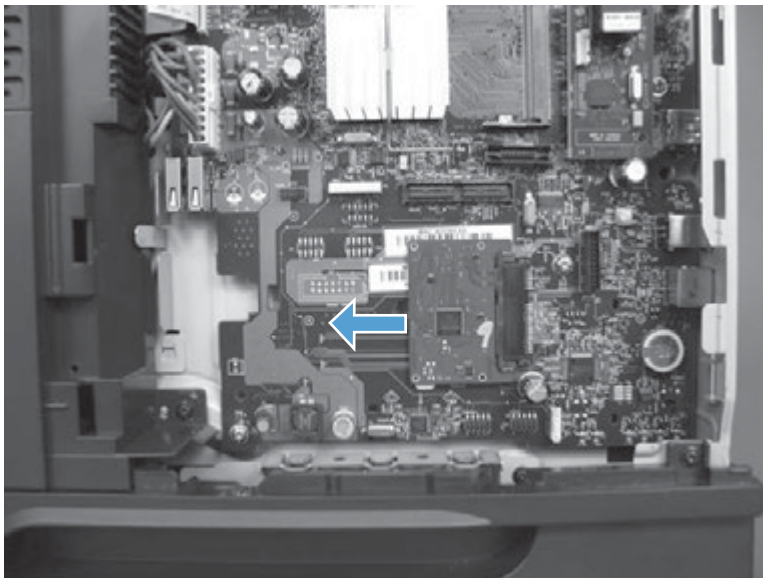
 **Reinstallation tip** The SSM is keyed and can only be installed one way.

Figure 1-50 Remove the SSM (4 of 4)




Install a replacement hard drive or SSM

After installing a replacement hard drive or SSM, you must reload the firmware by performing a firmware upgrade.

Reload the firmware

1. Go to www.hp.com/go/lj500MFPM525_firmware and follow the on-screen steps to download the most recent firmware upgrade files for your product.
2. Copy the firmware upgrade file to the root directory of a USB flash drive. The firmware upgrade file has a .bdl extension.
3. Insert the USB flash drive into the USB port on the product control panel.
4. Turn the product on. The following message displays: **Error: 99.09.63 Incorrect Disk Touch the OK button to continue.**
5. Wait for the Pre-Boot menu to appear on the control-panel display, and then touch the down arrow ▼ button to scroll to **3 Administrator**. Touch the **OK** button to select it.
6. Touch the down arrow ▼ button to scroll to **6 Manage Disk**. Touch the **OK** button to select it.
7. Touch the down arrow ▼ button to scroll to **4 Clear Disk PWD**. Touch the **OK** button to select it.
8. The message **Proceed with Requested Action** displays. Touch the **OK** button to select it.
9. Touch the back arrow ↶ button to return to the Pre-Boot menu home screen.
10. Touch the down arrow ▼ button to scroll to **3 Administrator**. Touch the **OK** button to select it.
11. Touch the down arrow ▼ button to scroll to **1 Download**. Touch the **OK** button to select it.
12. Touch the down arrow ▼ button to scroll to **3 USB Thumbdrive**. Touch the **OK** button to select it.
13. Several .bdl files might be listed. Touch the down arrow ▼ button to scroll to the firmware upgrade file that you downloaded. Touch the **OK** button to select it.

 **NOTE:** If no .bdl files are listed, try saving the file to a different USB flash drive

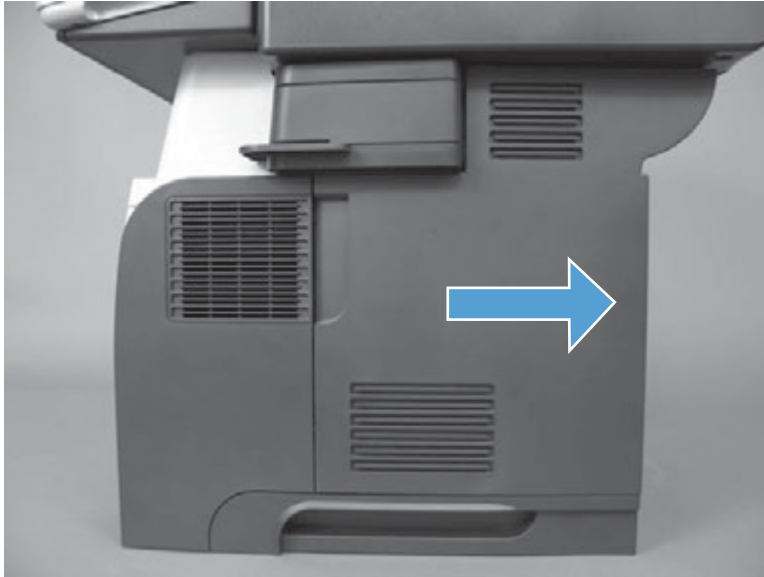
14. Wait while the file transfers. When the transfer is complete, the message **Complete** displays on the screen.
15. Turn the product off, remove the USB flash drive, and then turn the product on. Wait for several minutes while the product initializes.
 - If the upgrade is unsuccessful, try sending the firmware upgrade file again.
 - If the upgrade fails again, contact HP support at www.hp.com/support/lj500MFPM525.

External panels, covers, doors, formatter, and stapler

Formatter cover

- ▲ Slide the formatter cover toward the rear of the product to remove.

Figure 1-51 Remove the formatter cover

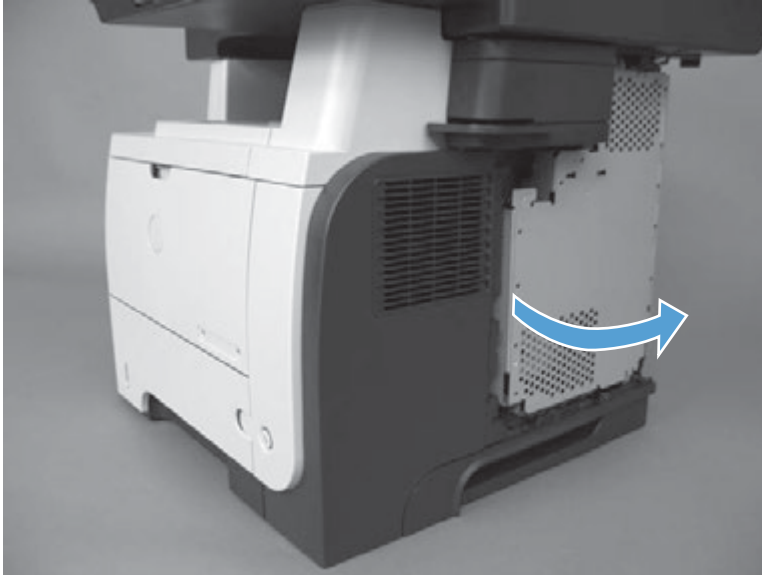


Formatter PCA

 **WARNING!**  ESD sensitive component.

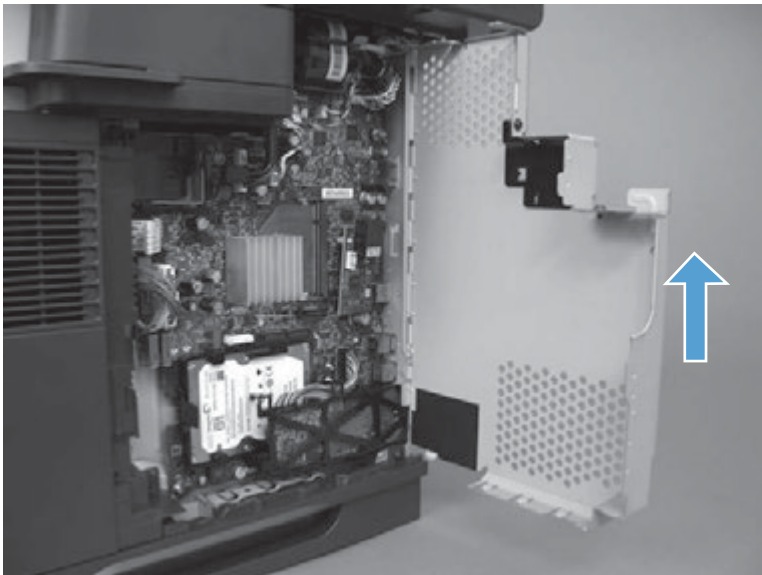
1. Before proceeding, remove the following:
 - Formatter cover. See [Formatter cover on page 37](#).
2. Open the formatter cage.

Figure 1-52 Remove the formatter PCA (1 of 4)



3. Lift and remove the sheet-metal door.

Figure 1-53 Remove the formatter PCA (2 of 4)



4. Disconnect 12 connectors.

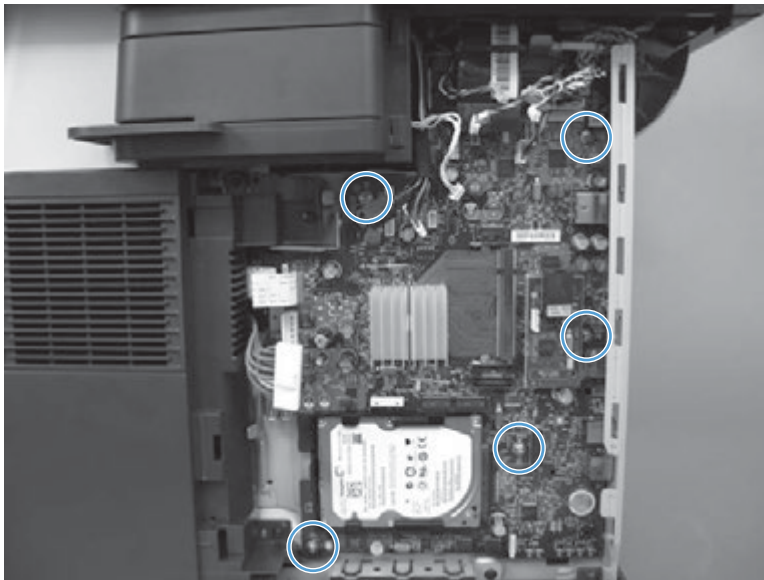
 **NOTE:** To locate the formatter connector locations, see [Formatter connections on page 9](#).

Figure 1-54 Remove the formatter PCA (3 of 4)



5. Remove five screws and then carefully remove the formatter PCA.

Figure 1-55 Remove the formatter PCA (4 of 4)

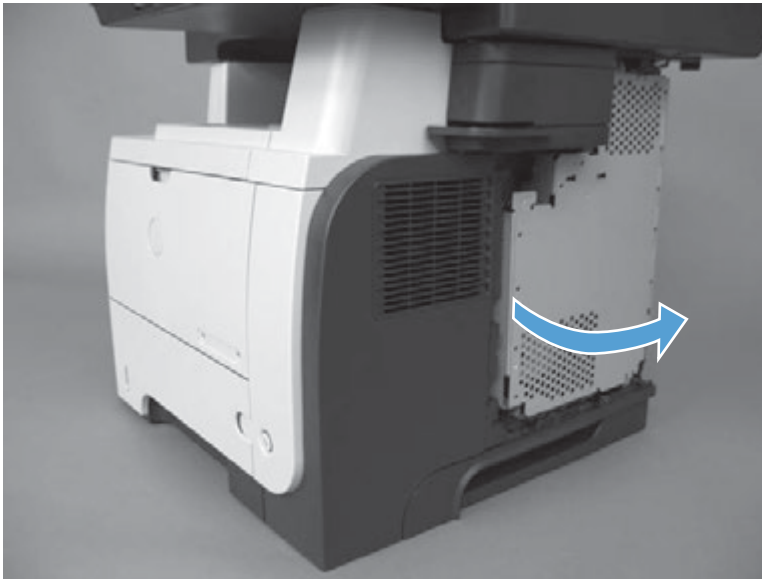


Stapler cover

Products without a stapler have a substitute stapler cover. See [Substitute stapler cover on page 42](#).

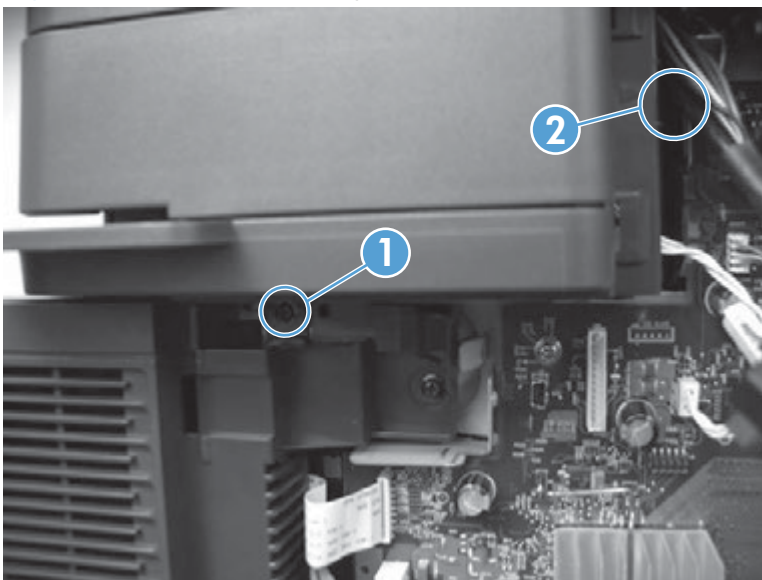
1. Before proceeding, remove the following components:
 - Formatter cover. See [Formatter cover on page 37](#).
2. Open the formatter cage.

Figure 1-56 Remove the substitute cover (1 of 4)



3. Remove one screw (callout 1) and release one tab (callout 2).

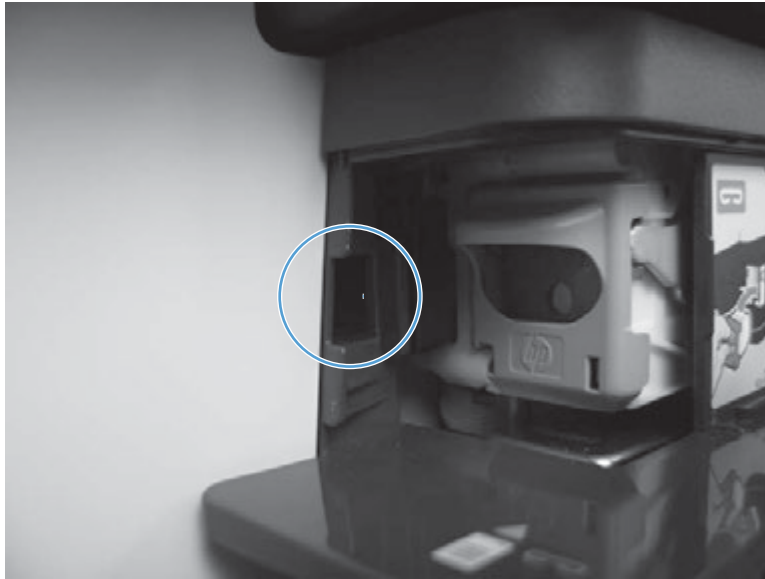
Figure 1-57 Remove the stapler cover (2 of 4)



 **Reinstallation tip** Disconnect the control-panel cable from the formatter to provide additional access to the tab.

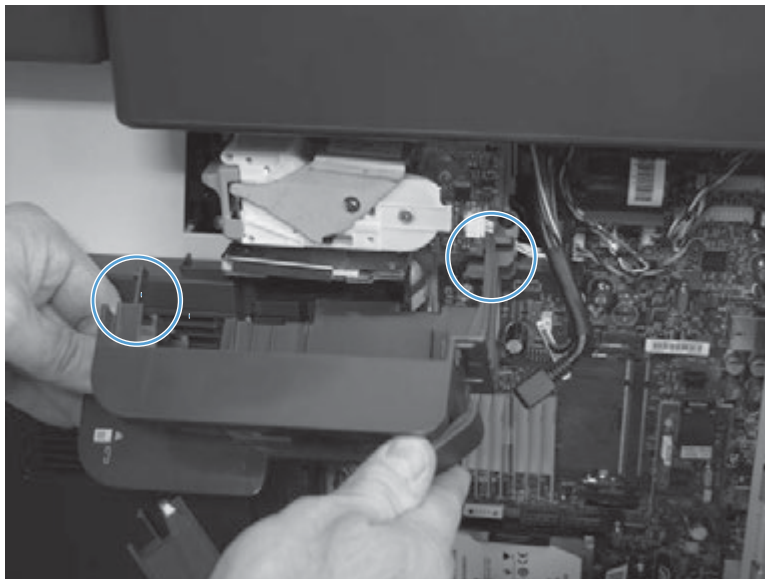
4. Open the stapler door and release one tab.

Figure 1-58 Remove the stapler cover (3 of 4)



5. Remove the stapler cover.

Figure 1-59 Remove the stapler cover (4 of 4)

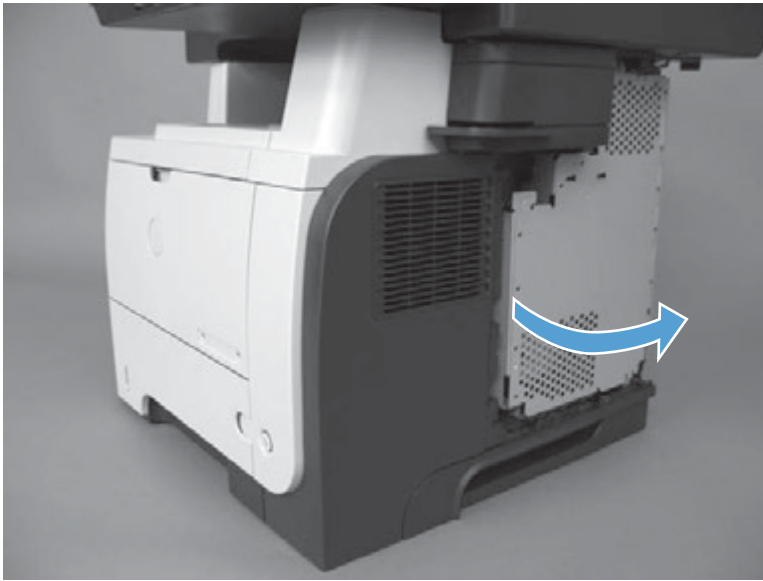


Substitute stapler cover

Products with a stapler have a stapler cover. See [Stapler cover on page 40](#).

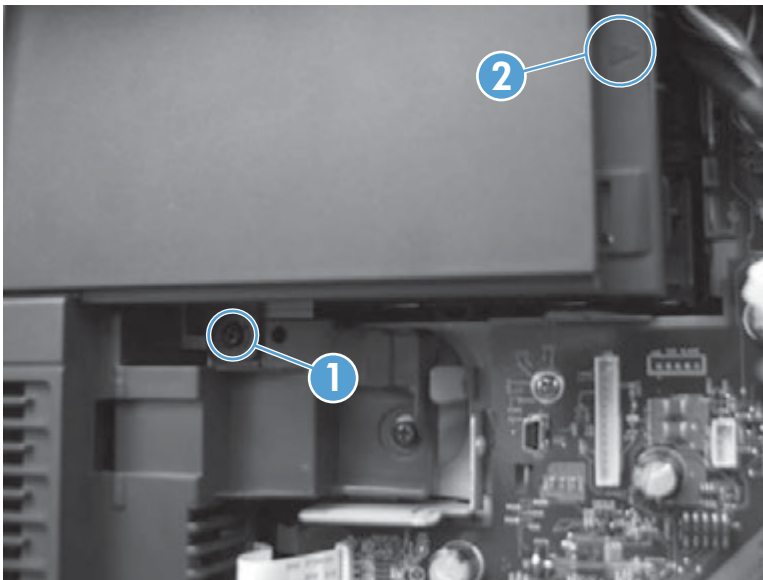
1. Before proceeding, remove the following components:
 - Formatter cover. See [Formatter cover on page 37](#).
2. Open the formatter cage.

Figure 1-60 Remove the substitute stapler cover (1 of 2)



3. Remove one screw (callout 1), release one tab (callout 2) and remove the cover.

Figure 1-61 Remove the substitute stapler cover (2 of 2)

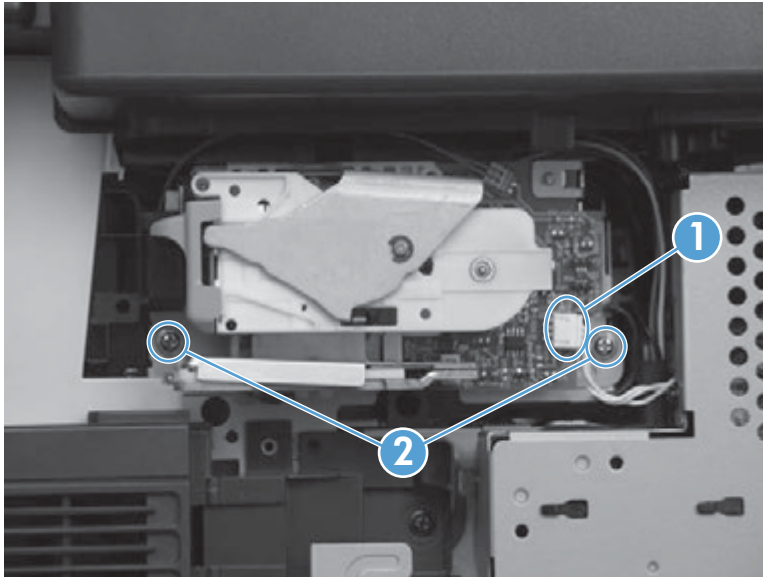


 **Reinstallation tip** Disconnect the control-panel cable from the formatter to provide additional access to the tab.

Stapler assembly

1. Before proceeding, remove the following:
 - Formatter cover. See [Formatter cover on page 37](#).
 - Stapler cover or substitute stapler cover. See [Stapler cover on page 40](#) or [Substitute stapler cover on page 42](#).
2. Disconnect one connector (callout 1), remove two screws (callout 2), and then remove the stapler assembly.

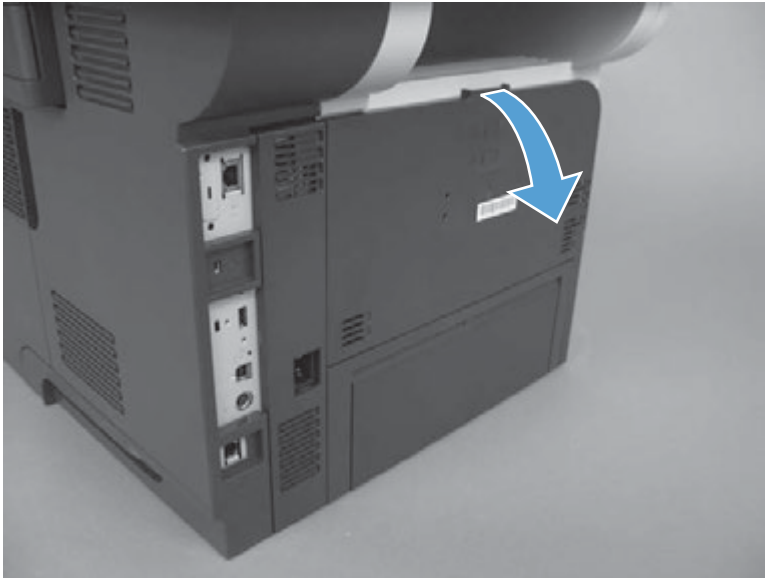
Figure 1-62 Remove the stapler assembly



Rear cover assembly

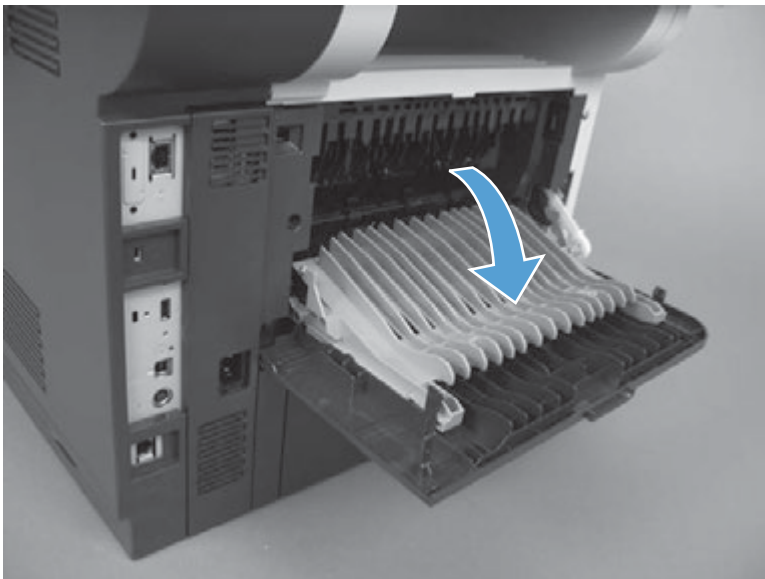
1. Open the rear door.

Figure 1-63 Remove the rear cover assembly (1 of 8)



2. Gently pull down on the door and lower the door until it is fully open.

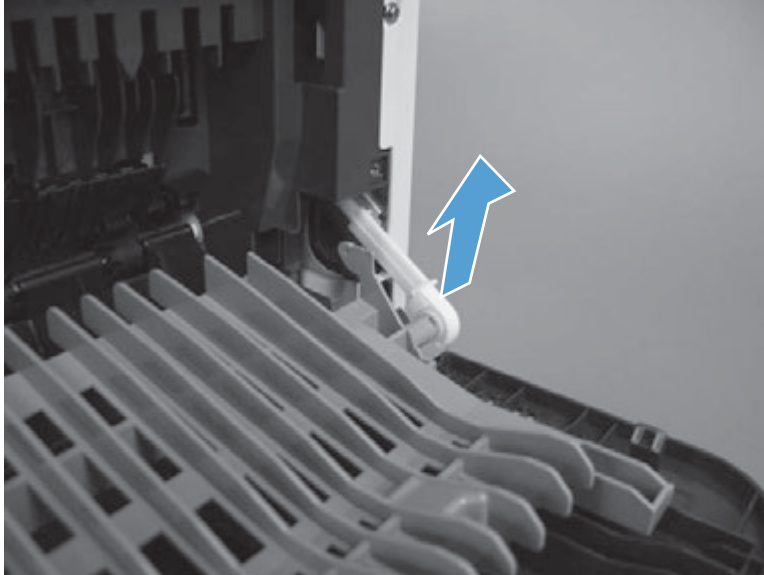
Figure 1-64 Remove the rear cover assembly (2 of 8)



3. Push up on the link arm to release it.

⚠ CAUTION: The link arm is under spring tension. Do not let the link arm snap back toward the product when you release it.

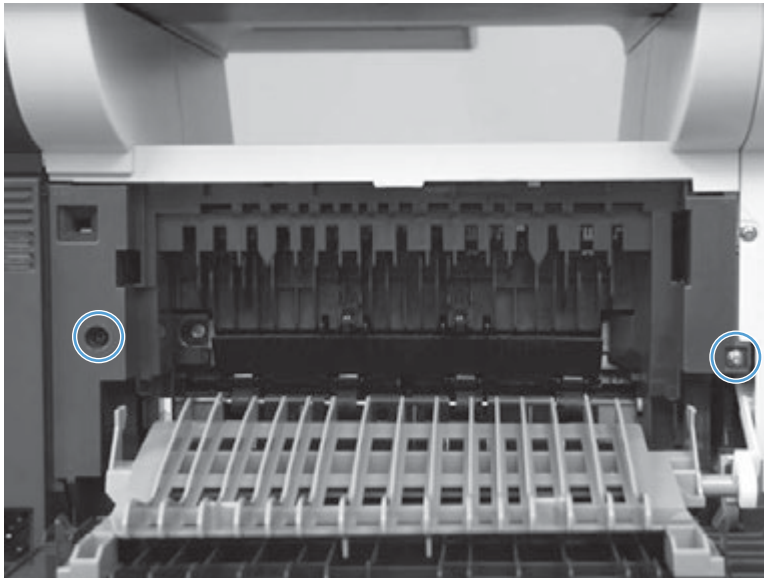
Figure 1-65 Remove the rear cover assembly (3 of 8)



4. Remove two screws (callout 1).

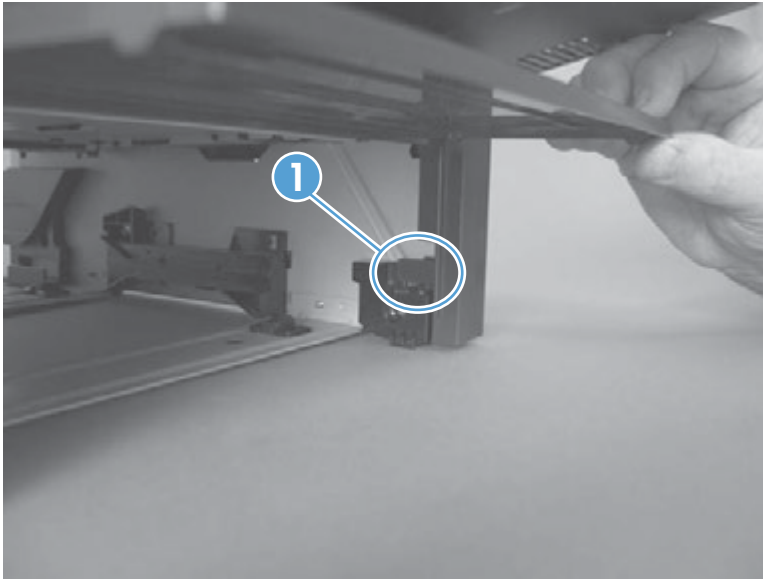
📝 NOTE: These two screws are of different types. Make sure to install them in the correct location.

Figure 1-66 Remove the rear cover assembly (4 of 8)



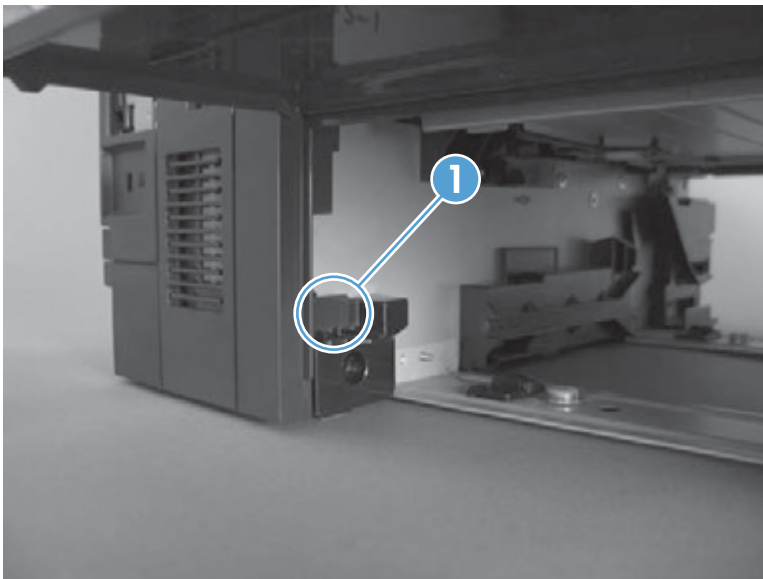
5. Open the lower-rear door, and then release one tab (callout 1).

Figure 1-67 Remove the rear cover assembly (5 of 8)



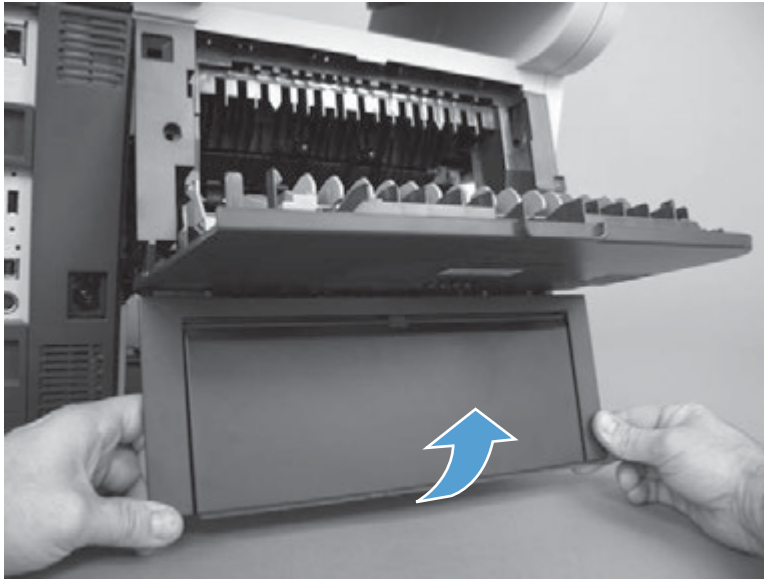
6. Release one tab (callout 1).

Figure 1-68 Remove the rear cover assembly (6 of 8)



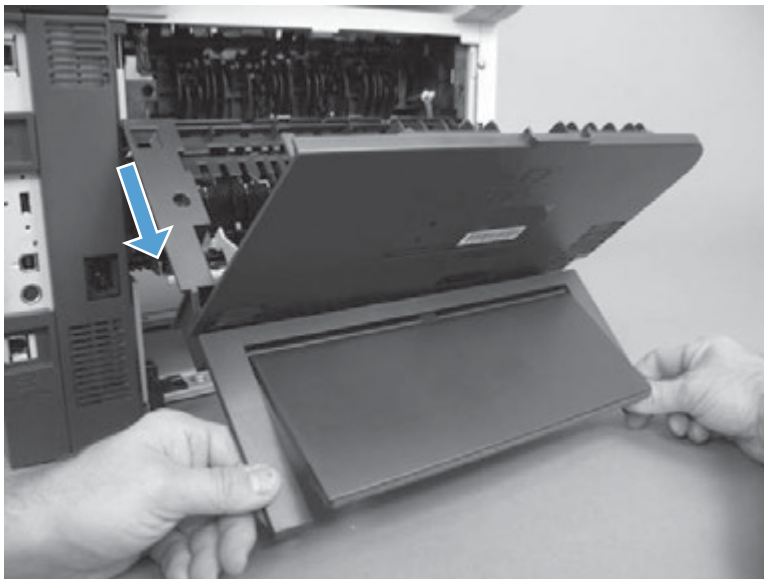
7. Rotate the bottom of the rear cover assembly away from the product.


Figure 1-69 Remove the rear cover assembly (7 of 8)



8. Pull down on the rear cover assembly to remove it.

Figure 1-70 Remove the rear cover assembly (8 of 8)

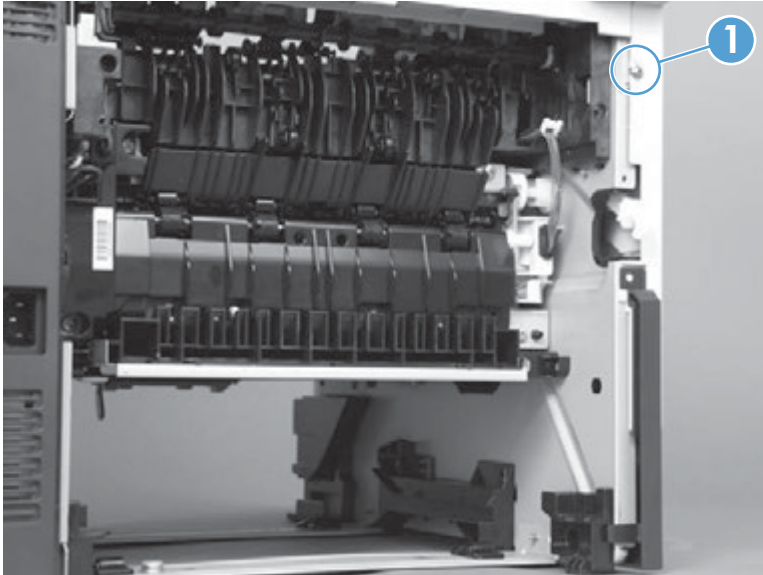


 **Reinstallation tip** Insert the top of the cover first to make sure the tabs are in place and then rotate the bottom of the cover into place.

Left cover

1. Before proceeding, remove the following:
 - Rear cover assembly. See [Rear cover assembly on page 44](#).
2. Remove one screw (callout 1).

Figure 1-71 Remove the left cover (1 of 4)



3. Grip the cover and pull it away from the engine. Release the first tab (callout 1), and then release the second tab (callout 2). Release the third tab (callout 3) if necessary to separate the cover from the engine.


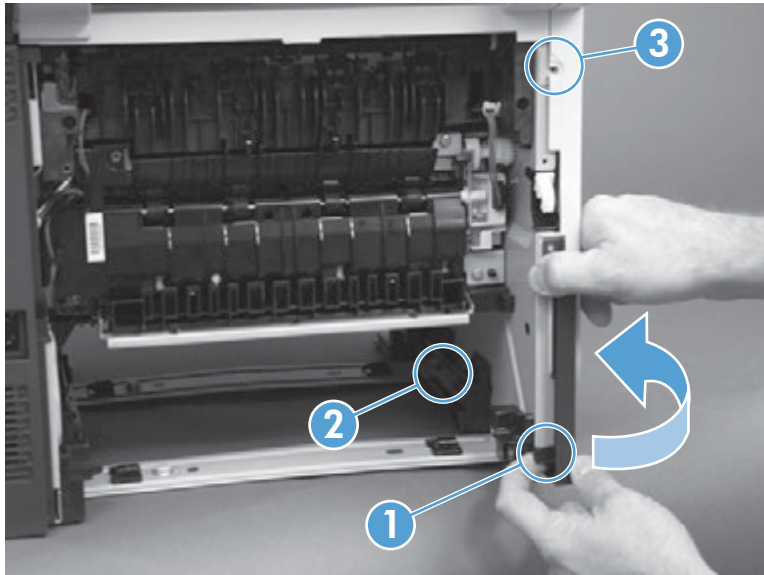
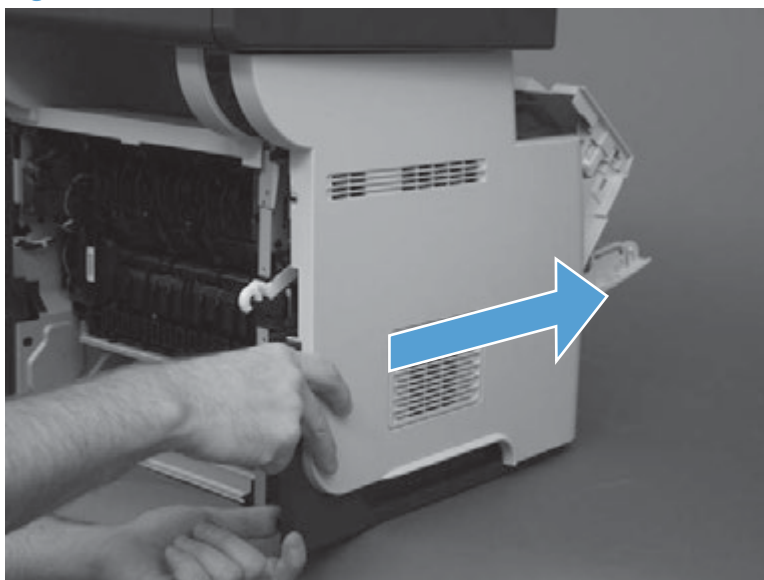
 **TIP:** The tab inside the tray cavity (callout 2) is located below the plastic tray rail. It might be easier to slightly lift up the left side of the product, and use a small flat blade screwdriver to release this tab.


Figure 1-72 Remove the left cover (2 of 4)



4. Rotate the rear of the cover slightly away from the product, and then slide the cover toward the front of the product to remove it.

Figure 1-73 Remove the left cover (2 of 4)

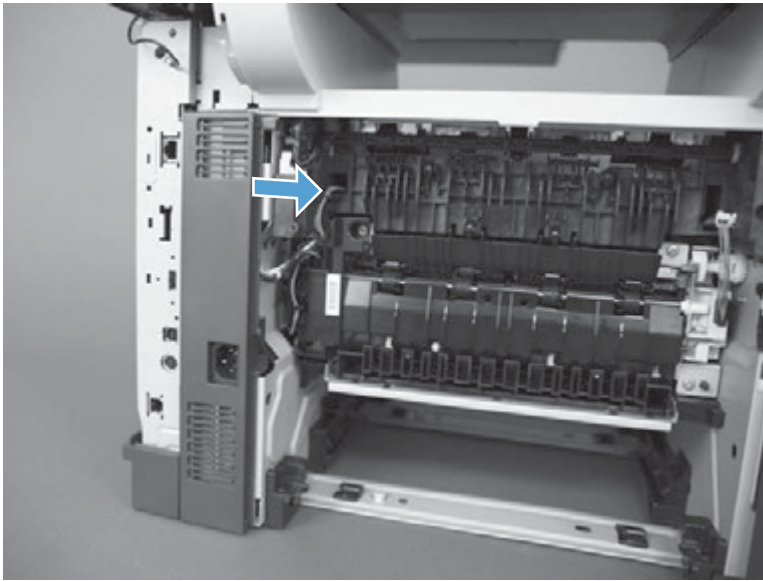


 **Reinstallation tip** Align the tabs on the front of the cover first and then reinstall the cover.

Right-rear cover

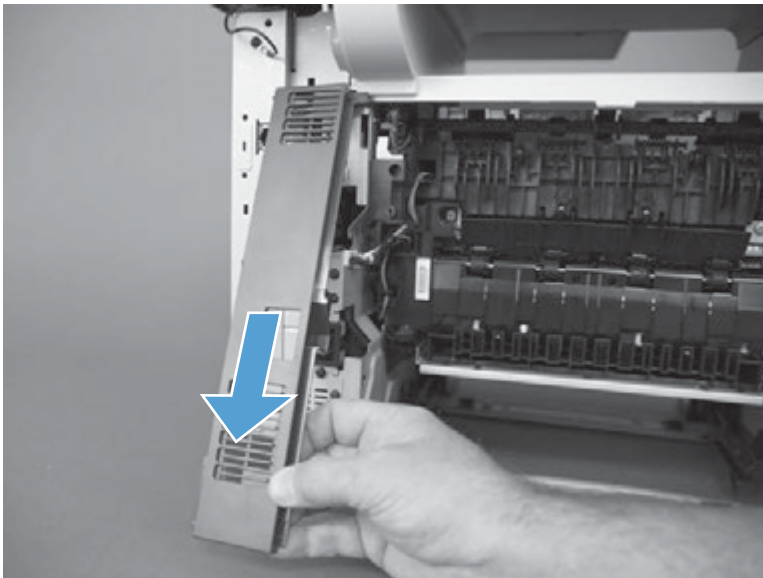
1. Before proceeding, remove the following:
 - Formatter cover. See [Formatter cover on page 37](#).
 - Rear cover assembly. See [Rear cover assembly on page 44](#).
2. Slide the right-rear cover toward the inside of the product to release it.

Figure 1-74 Remove the right-rear cover (1 of 2)



3. Rotate the bottom of the cover away from the product, and then pull down on the cover to remove it.

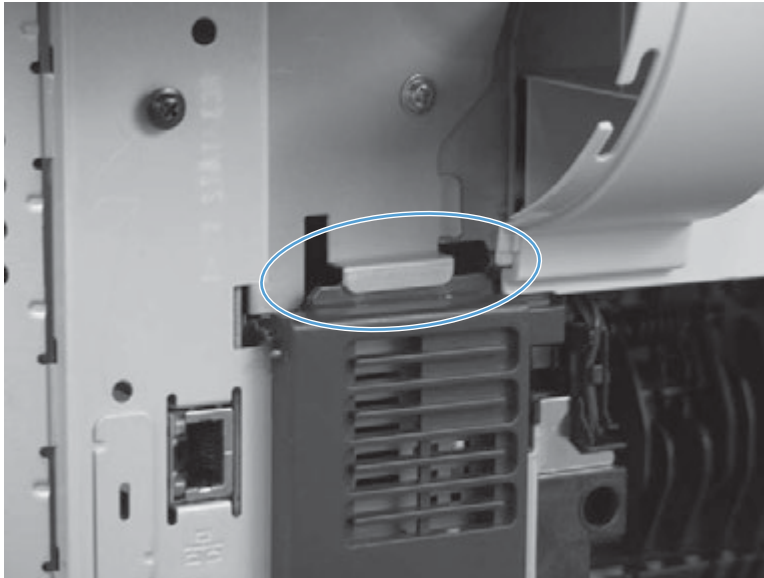
Figure 1-75 Remove the right-rear cover (2 of 2)



Reinstall the right-rear cover

- ▲ Make sure to slide the tab on the top of the cover under the sheet-metal clip.

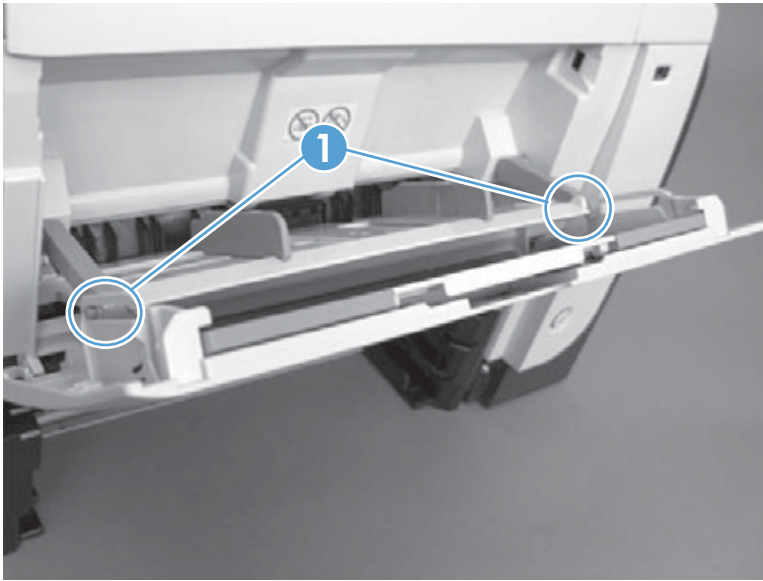
Figure 1-76 Reinstall the right-rear cover



Tray 1 cover

1. Before proceeding, remove the following:
 - Rear cover assembly. See [Rear cover assembly on page 44](#).
 - Left cover. See [Left cover on page 48](#).
2. Carefully release two retaining arms (callout 1).

Figure 1-77 Remove Tray 1 cover (1 of 3)



3. Slightly lift the cover to a 45 degree angle, and then slide it toward the left side of the product.


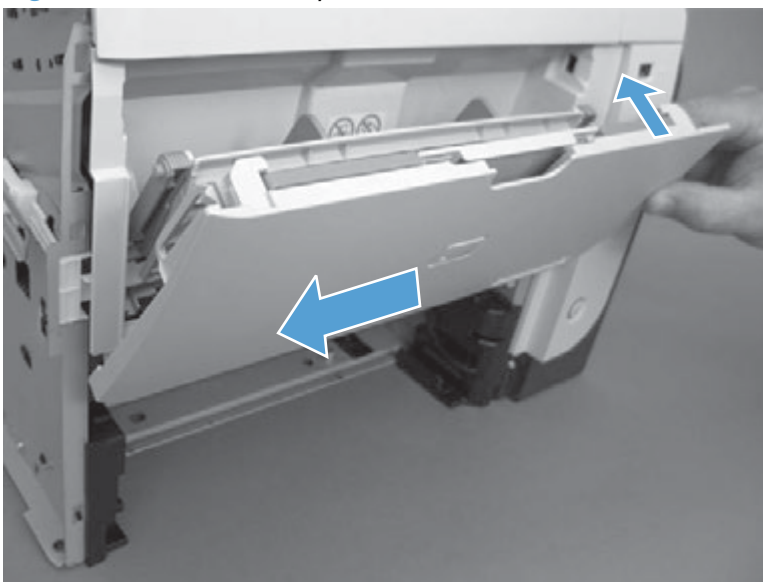
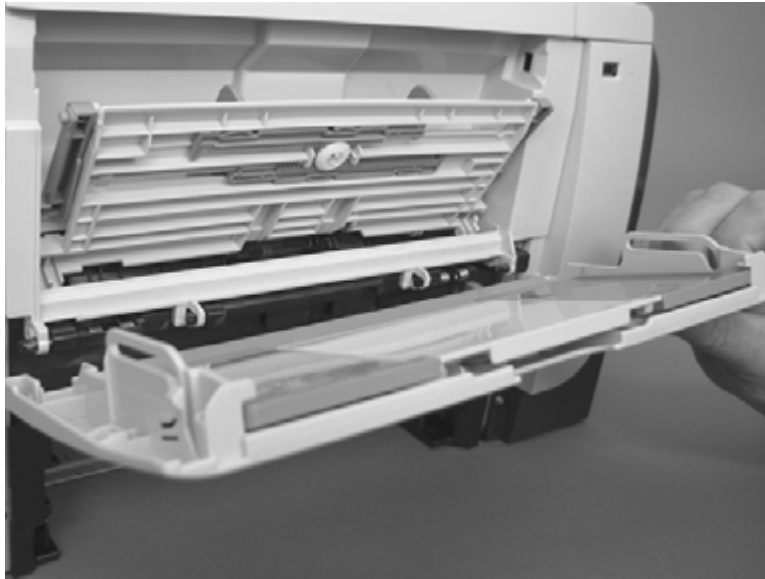
 **TIP:** If you lower the tray too far, it will not slide off of the hinge pins.

Figure 1-78 Remove Tray 1 cover (2 of 3)




4. Remove the Tray 1 cover.

Figure 1-79 Remove Tray 1 cover (3 of 3)



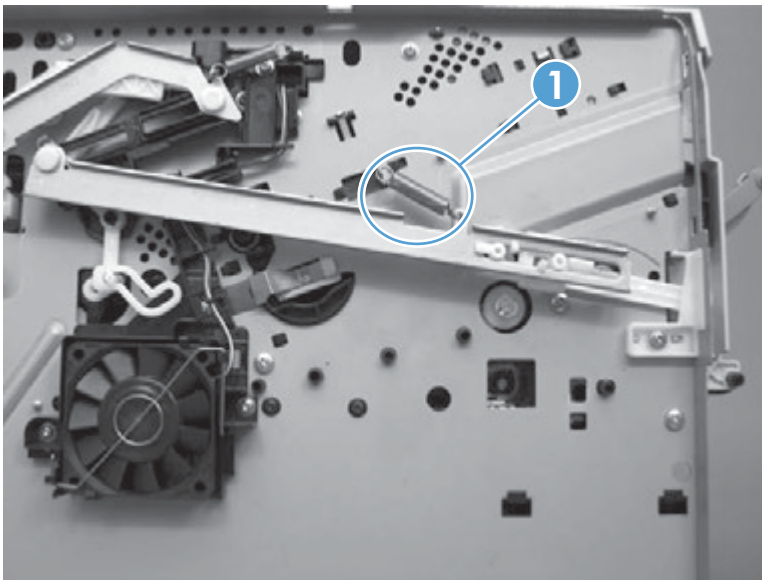
Cartridge-door assembly

1. Before proceeding, remove the following:
 - Rear cover assembly. See [Rear cover assembly on page 44](#).
 - Left cover. See [Left cover on page 48](#).
 - Tray 1 cover. See [Tray 1 cover on page 52](#).

 **TIP:** The cartridge-door assembly can be removed without removing the Tray 1 cover. However, it is easier to remove and reinstall the door assembly when the Tray 1 cover is not installed.

2. Remove one spring (callout 1).

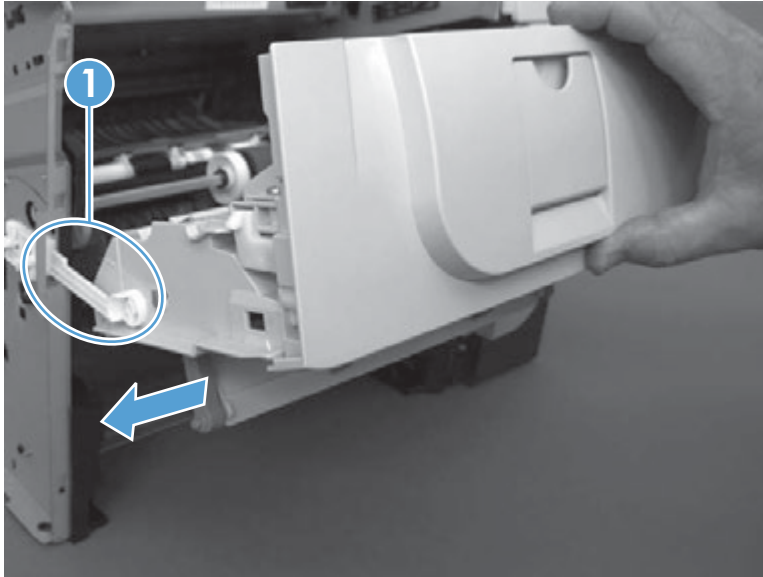
Figure 1-80 Remove the cartridge-door assembly (1 of 3)



3. Open the cartridge door slightly and then slide the assembly toward the left side of the product to release it from the hinge pins.

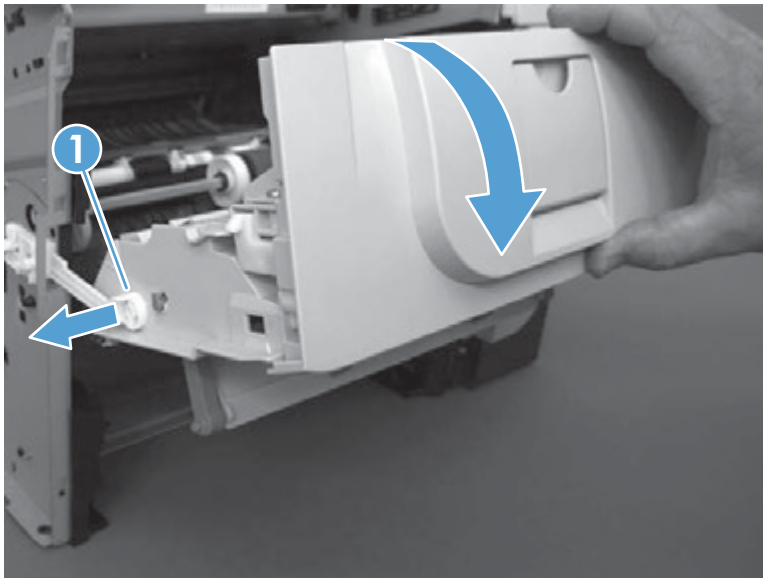
⚠ CAUTION: You can flex the link arm (callout 1), but be careful not to damage it.

Figure 1-81 Remove the cartridge-door assembly (2 of 3)



4. After releasing from the hinge pins, move the cartridge door to the right to release the pressure on the link arm. Rotate the assembly down, and then separate the link arm (callout 1) from the assembly. Remove the cartridge-door assembly.

Figure 1-82 Remove the cartridge-door assembly (3 of 3)



Rear scanner cover

- ▲ Remove two screws, and then remove the cover.

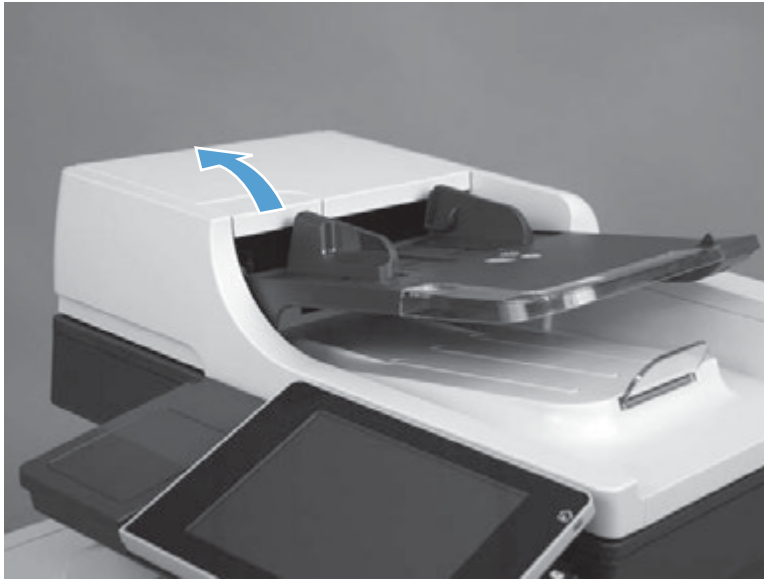
Figure 1-83 Remove the Rear scanner cover



ADF front cover

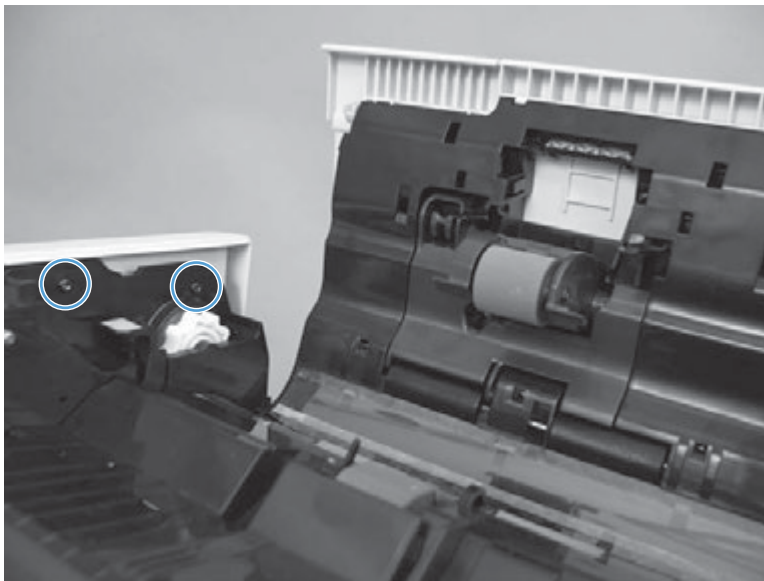
1. Open the jam-access cover.

Figure 1-84 Remove the ADF front cover (1 of 4)



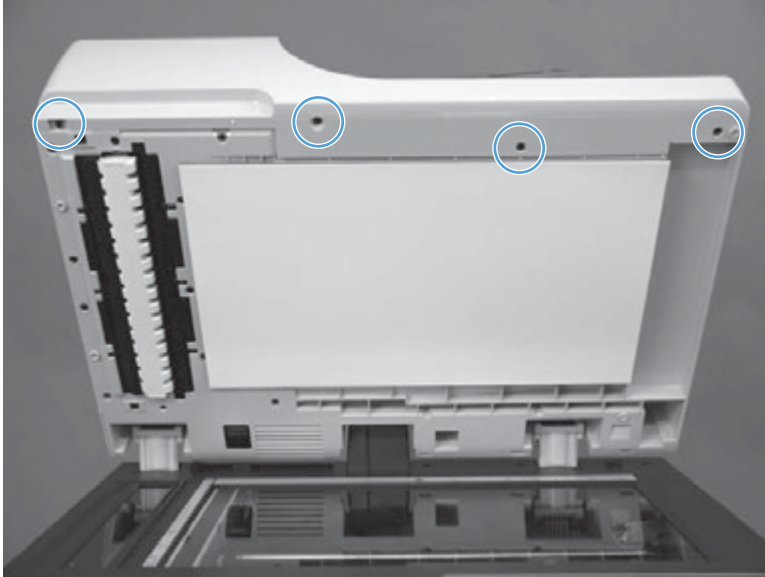
2. Remove two screws.

Figure 1-85 Remove the ADF front cover (2 of 4)



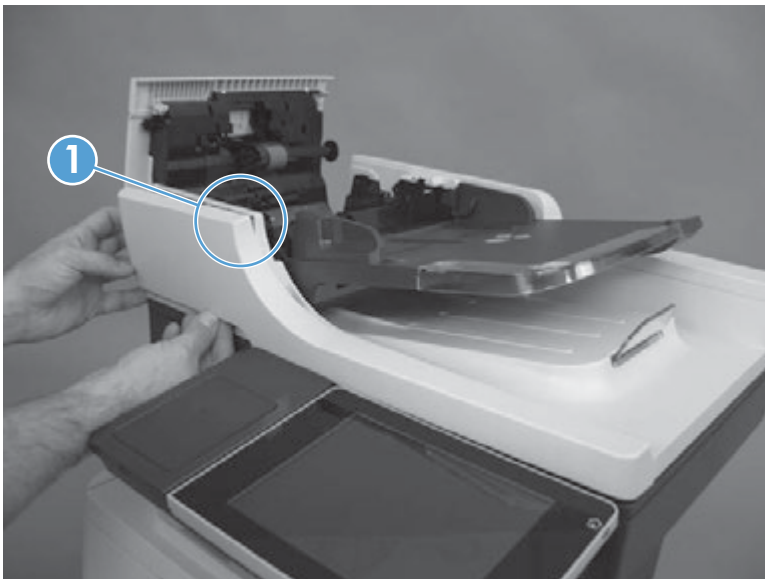
3. Open the ADF, and then remove four screws.

Figure 1-86 Remove the ADF front cover (3 of 4)



4. Release one tab, and then remove the cover.

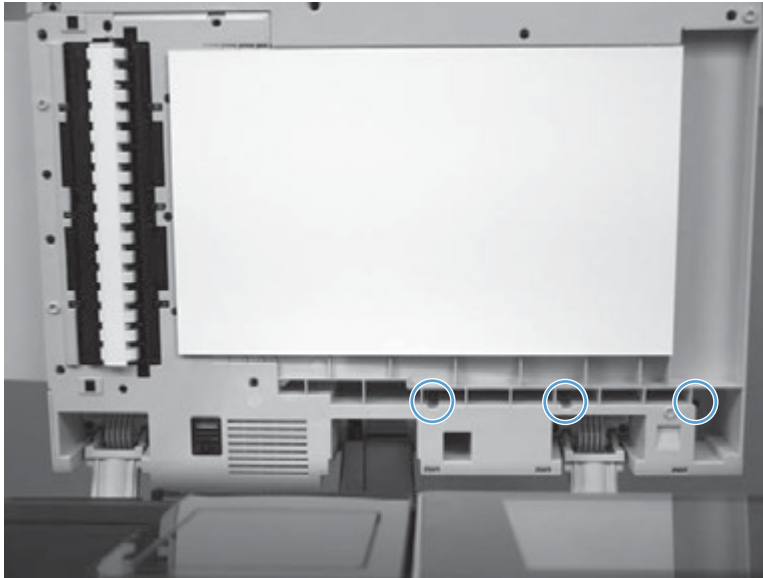
Figure 1-87 Remove the ADF front cover (4 of 4)



ADF rear cover

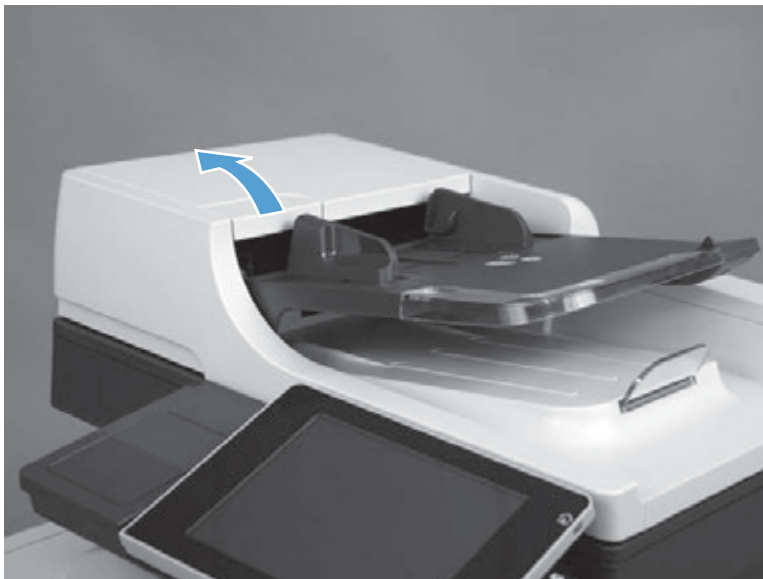
1. Open the ADF, and then remove three screws.

Figure 1-88 Remove the ADF rear cover (1 of 4)



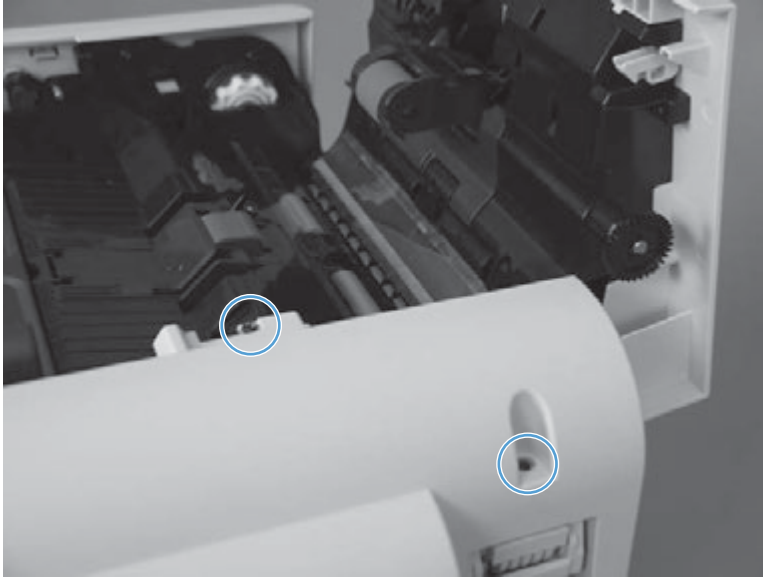
2. Close the ADF and then open the jam-access cover.

Figure 1-89 Remove the ADF rear cover (2 of 4)



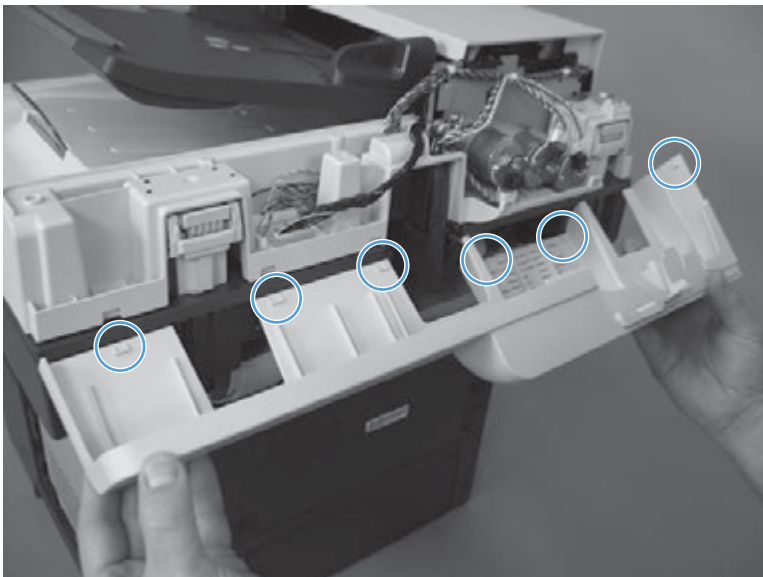
3. Remove two screws.

Figure 1-90 Remove the ADF rear cover (3 of 4)



4. Release six tabs and remove the cover.

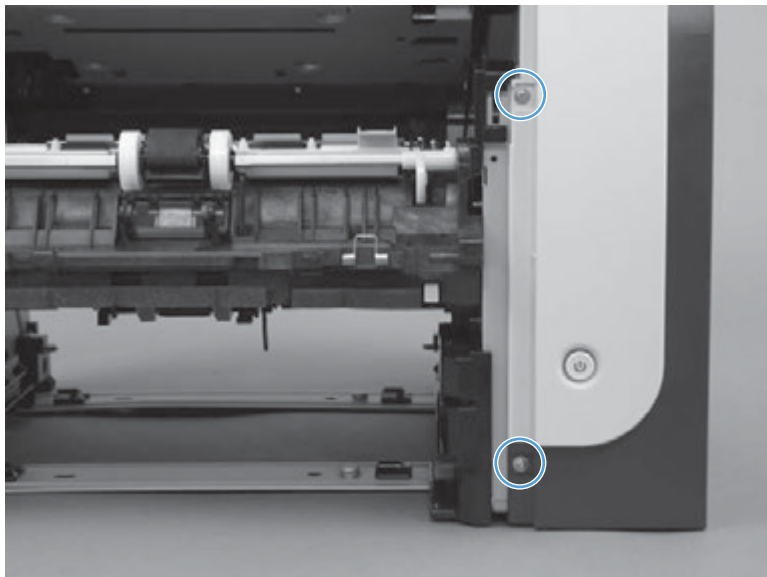
Figure 1-91 Remove the ADF rear cover (4 of 4)



Right cover assembly

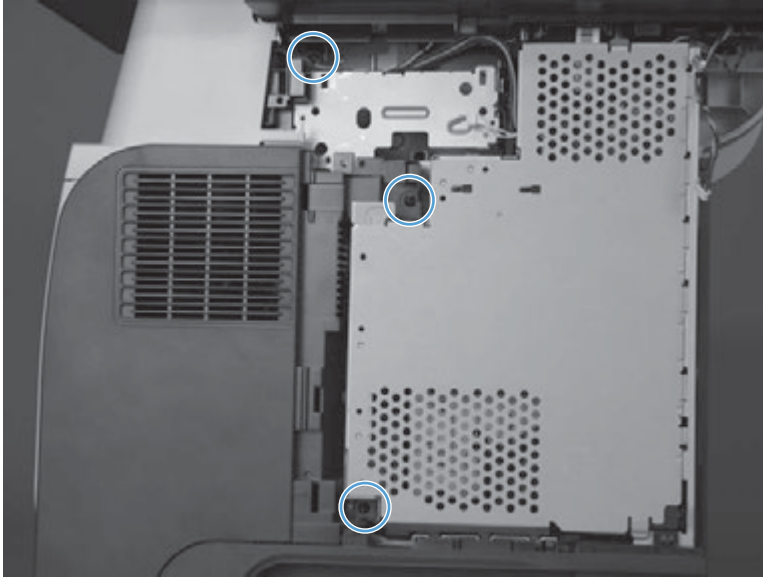
1. Before proceeding, remove the following:
 - Formatter cover. See [Formatter cover on page 37](#).
 - Stapler cover or substitute stapler cover. See [Stapler cover on page 40](#) or [Substitute stapler cover on page 42](#).
 - Stapler assembly. See [Stapler assembly on page 43](#)
 - Rear cover assembly. See [Rear cover assembly on page 44](#).
 - Left cover. See [Left cover on page 48](#).
 - Tray 1 cover. See [Tray 1 cover on page 52](#).
 - Cartridge-door assembly. See [Cartridge-door assembly on page 54](#).
2. Remove two screws (callout 1).

Figure 1-92 Remove the right cover assembly (1 of 4)

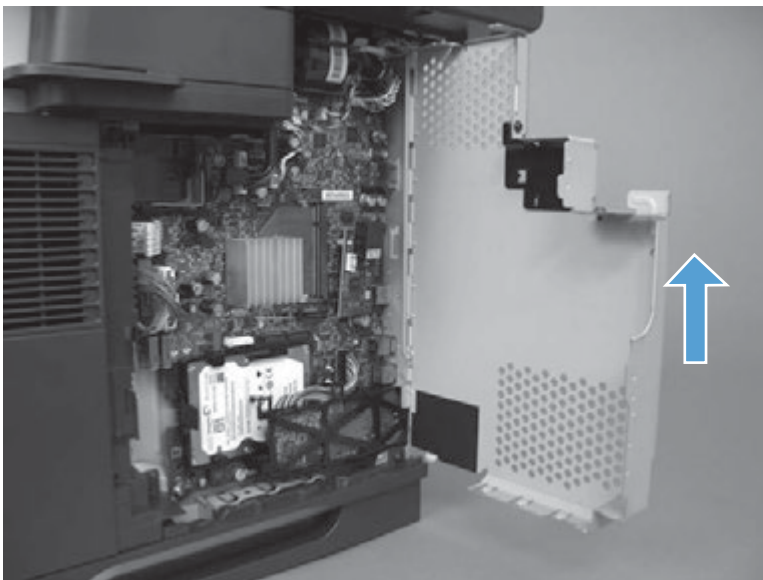


3. Remove three screws.

Figure 1-93 Remove the right cover assembly (2 of 4)



4. Open the formatter cage and remove the sheet metal door.

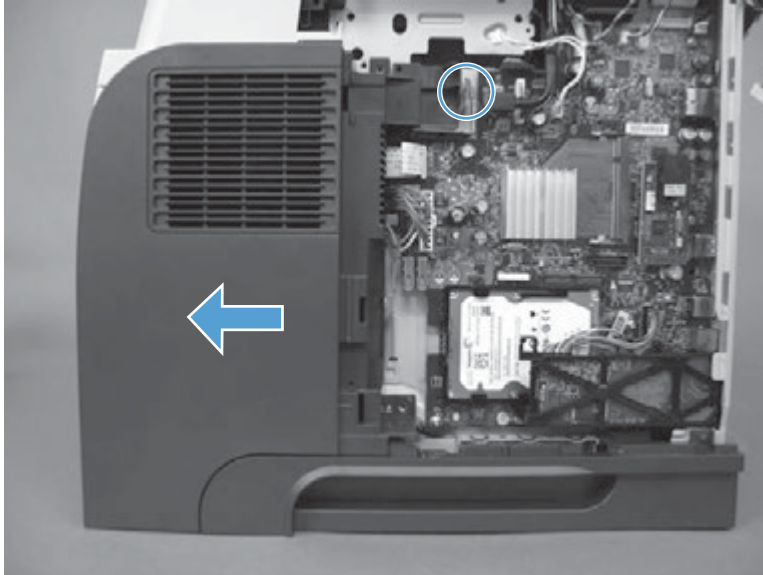


5. Release one tab and then slide the cover toward the front of the product to remove.

⚠ CAUTION: Do not damage the covers or the cartridge-door assembly (if you did not remove it) when you remove the cover from the product.

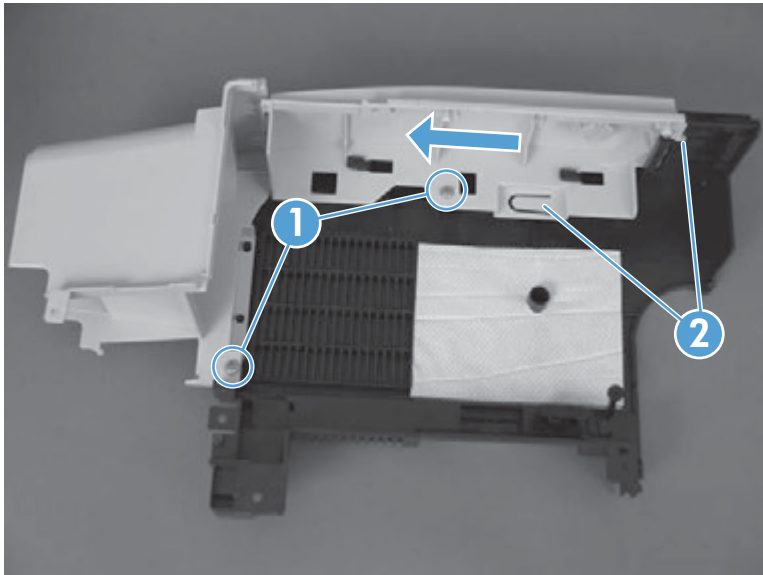
Do not dislodge the power-switch assembly when you rotate the cover assembly away from the product.

Figure 1-94 Remove the right cover assembly (3 of 4)



6. If necessary, remove two screws (callout 1), release two tabs (callout 2), and then slide the front-right cover toward the top of the right-side cover to release it.

Figure 1-95 Remove the right cover assembly (4 of 4)



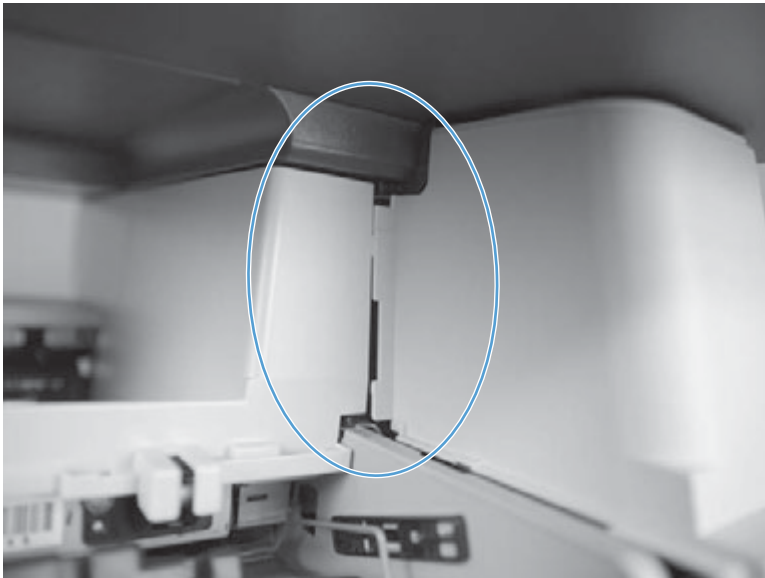
Reinstall the right cover

1. Slide the cover on to the product from the front. Make sure the cover is aligned correctly at the top. The top of the cover should slide over the chassis and the lower section of the cover should slide behind the chassis.

Figure 1-96 Reinstall the right cover assembly: correct alignment

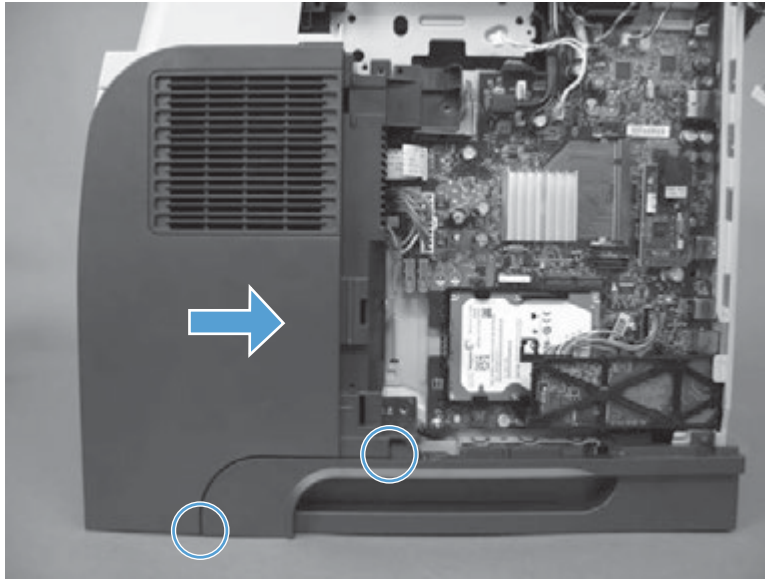


Figure 1-97 Reinstall the right cover assembly: incorrect alignment




2. Make sure the two tabs are securely inserted.

Figure 1-98 Reinstall the right cover assembly

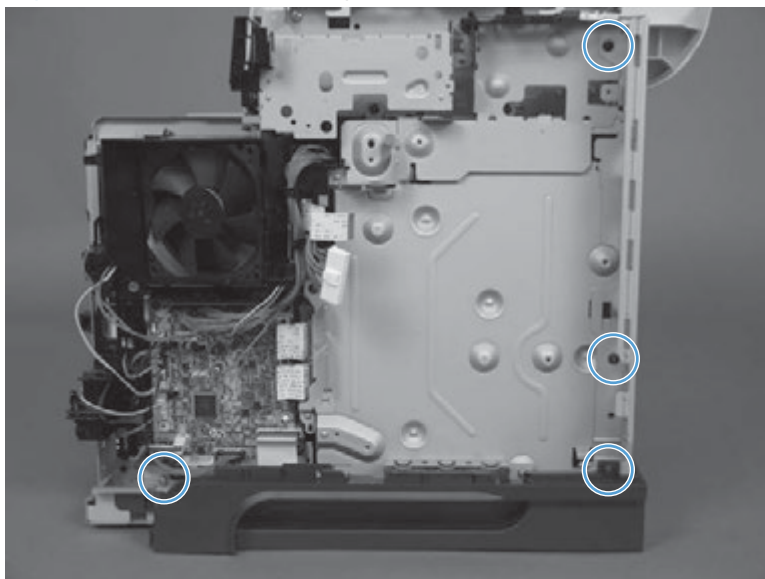


Right handle cover and bracket

 **NOTE:** You do not need to remove the sheet-metal bracket to remove the lower-right cover. However, you must remove the bracket and the cover when removing some of the other product components in this chapter. Use this procedure to remove the cover only, or the cover and the bracket.

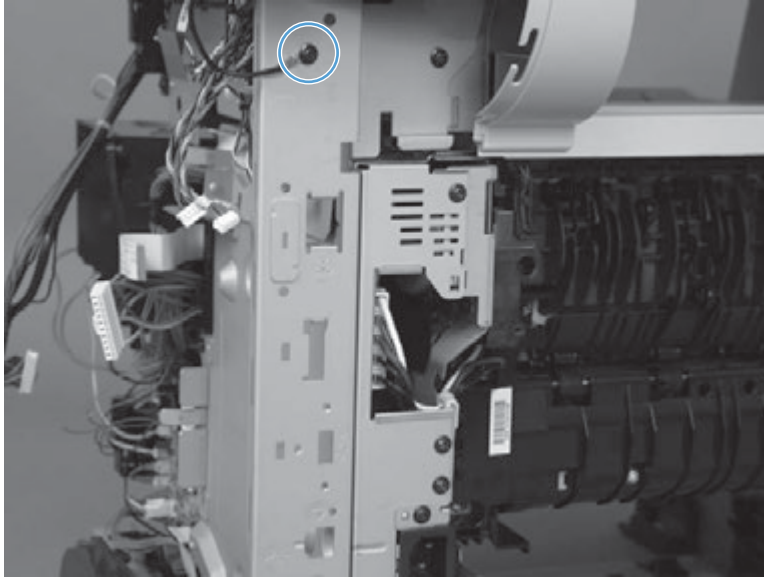
1. Before proceeding, remove the following:
 - Formatter cover. See [Formatter cover on page 37](#).
 - Formatter PCA. See [Formatter PCA on page 38](#).
 - Stapler cover or substitute stapler cover. See [Stapler cover on page 40](#) or [Substitute stapler cover on page 42](#).
 - Stapler assembly. See [Stapler assembly on page 43](#).
 - Rear cover assembly. See [Rear cover assembly on page 44](#).
 - Left cover. See [Left cover on page 48](#).
 - Right-rear cover. See [Right-rear cover on page 50](#).
 - Tray 1 cover. See [Tray 1 cover on page 52](#).
 - Cartridge-door assembly. See [Cartridge-door assembly on page 54](#).
 - Right cover assembly. See [Right cover assembly on page 61](#).
2. **To remove the cover and the bracket:** Remove four screws.

Figure 1-99 Remove the right handle cover and bracket (1 of 5)




3. Remove one screw.

Figure 1-100 Remove the right handle cover and bracket (2 of 5)



4. Slide the sheet-metal bracket up to release it, and then remove the bracket.

 **NOTE:** You might need to slightly pull outward on the lower-right cover (callout 1) to release the sheet-metal bracket.


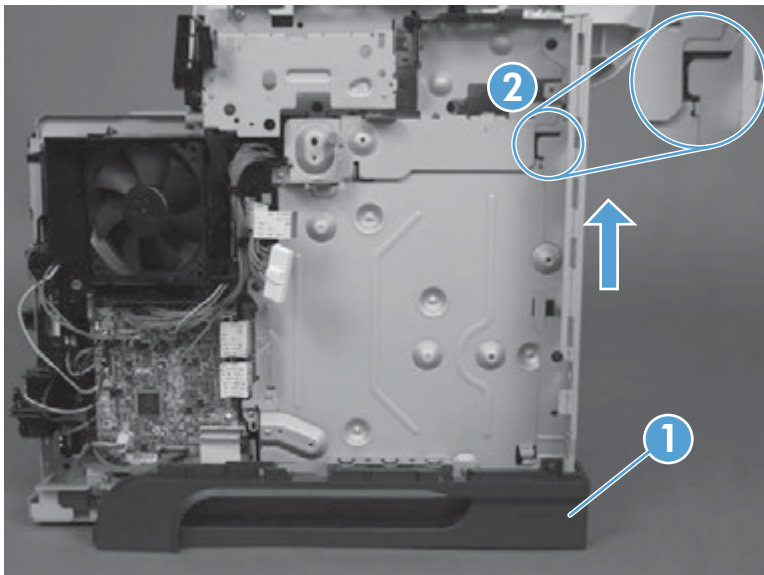
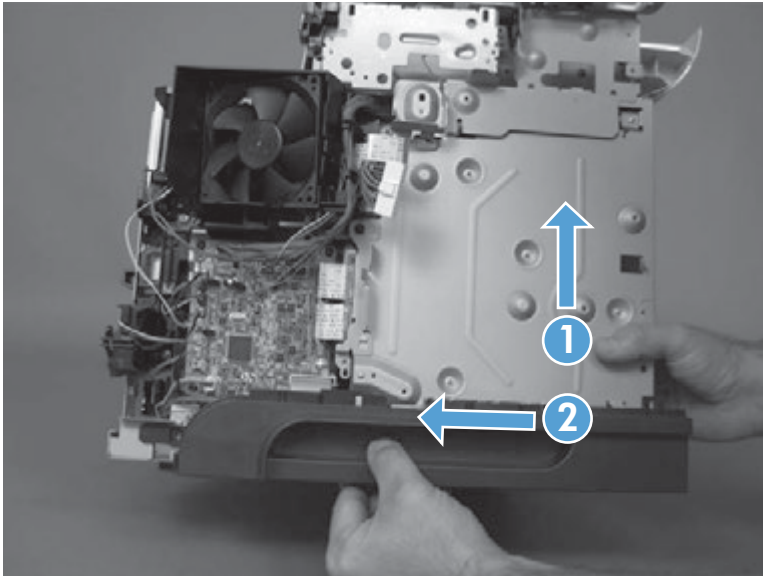
 **Reinstallation tip** When you reinstall the bracket, make sure that the tab is engaged in the slot in the chassis (callout 2).

Figure 1-101 Remove the right handle cover and bracket (3 of 5)



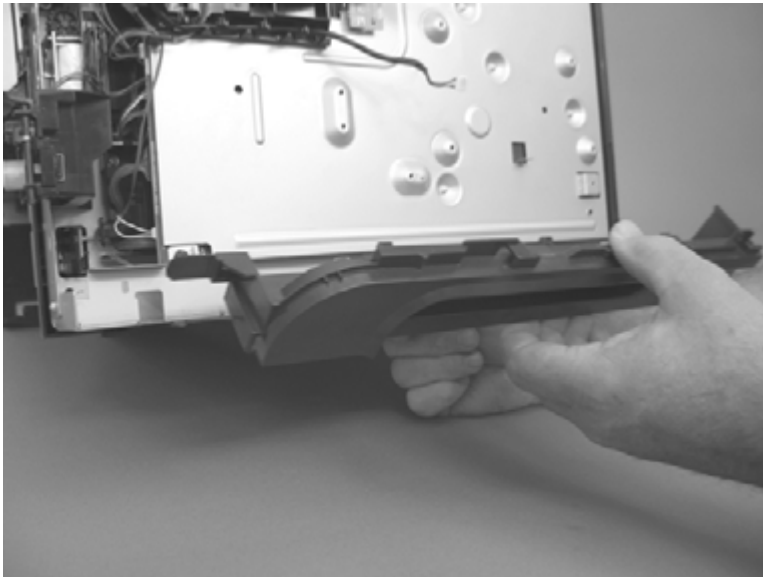
5. Raise the right side of the product (callout 1), slide the lower-right cover (callout 2) toward the front of the product, and then rotate the cover away from the product.

Figure 1-102 Remove the right handle cover and bracket (4 of 5)



6. Remove the lower-right cover.

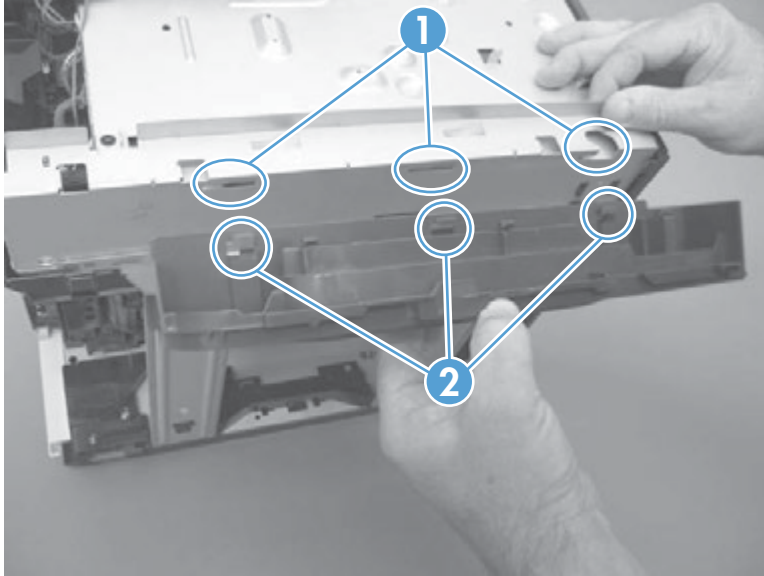
Figure 1-103 Remove the right handle cover and bracket (5 of 5)



Reinstall the right handle cover and bracket

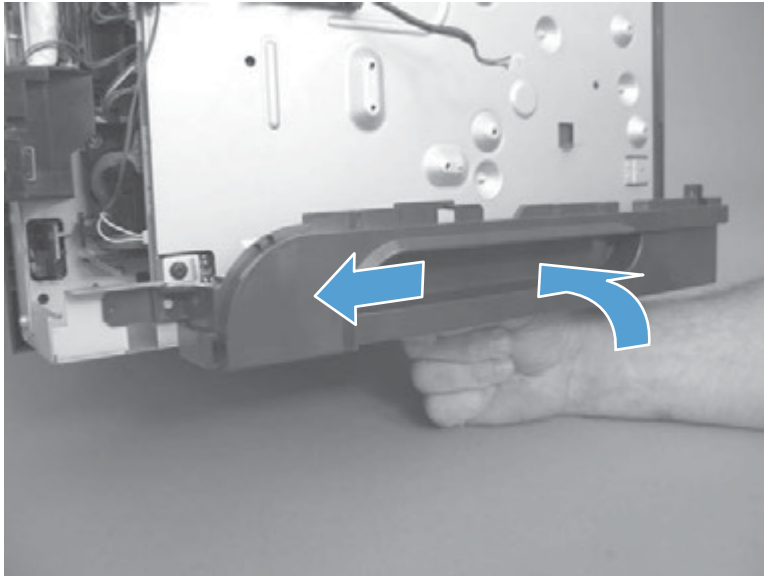
1. Carefully raise the right side of the product, find the three slots in the chassis (callout 1), and the three tabs (callout 2) along the bottom of the cover.

Figure 1-104 Reinstall the right handle cover and bracket (1 of 2)



2. Rotate the cover up to engage the tabs with the slots, and then slide the cover toward the front of the product to install it.

Figure 1-105 Remove the right handle cover and bracket (2 of 2)



ADF assemblies and scanner

Deskew mylar and separation mylar

1. Open the jam-access cover.


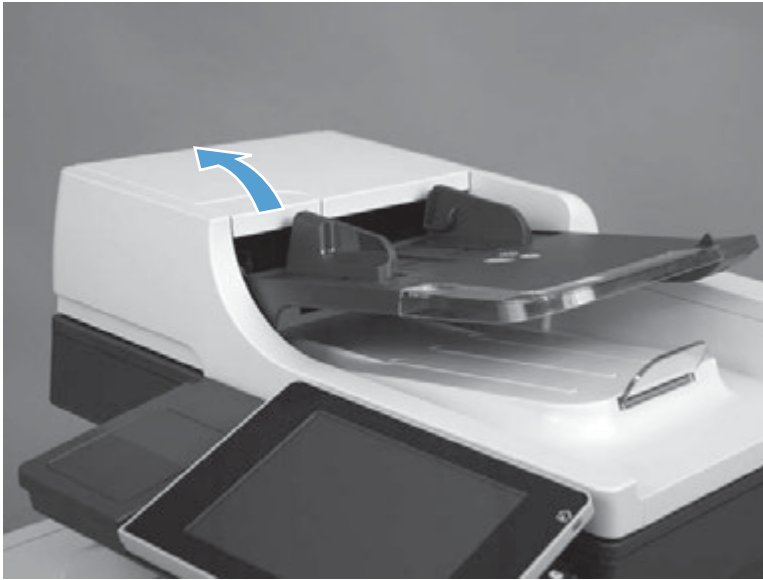
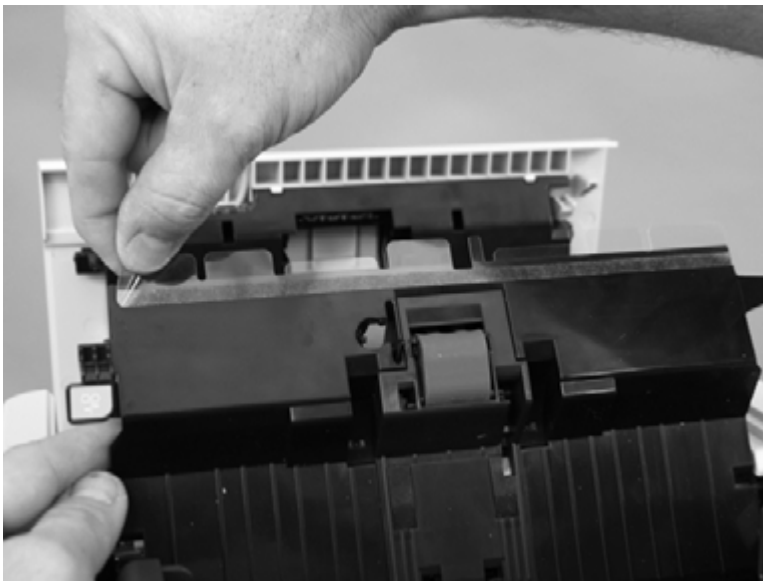
 **NOTE:** Check the orientation of the deskew mylar before removing.

Figure 1-106 Remove the deskew mylar and separation mylar (1 of 3)



2. Carefully peel off the deskew mylar

Figure 1-107 Remove the deskew mylar and separation mylar (2 of 3)



- Carefully peel off the separation mylar.


 **NOTE:** Check the orientation of the separation mylar before removing.

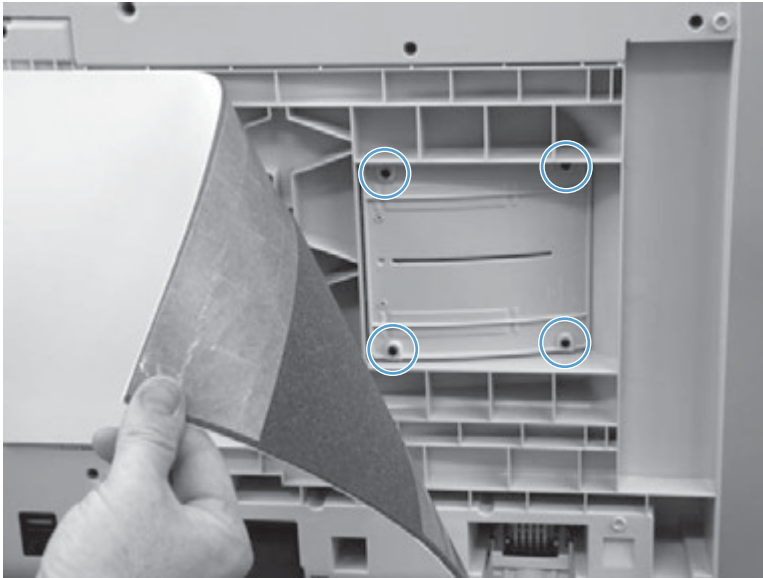
Figure 1-108 Remove the deskew mylar and separation mylar (3 of 3)



ADF tray extender

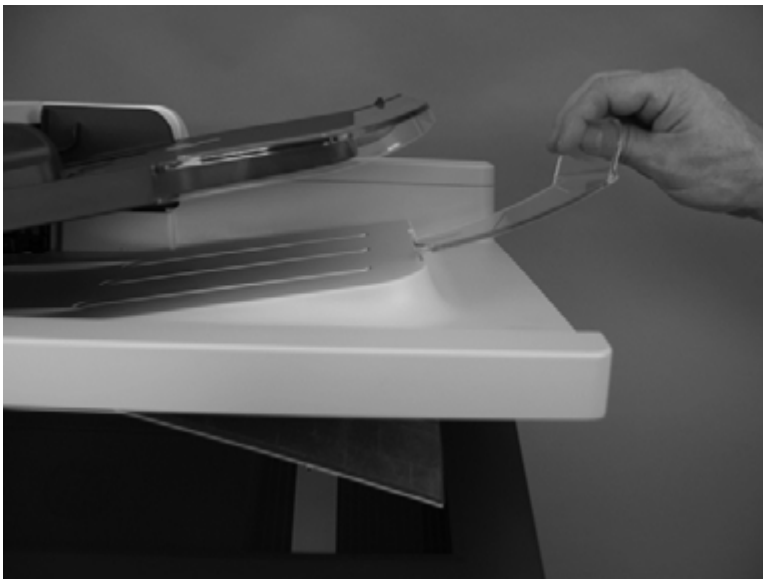
1. Peel the foam reflector partially away from the ADF lid, and then remove four screws.

Figure 1-109 Remove the ADF tray extender (1 of 2)



2. Pull the ADF tray extender to remove.

Figure 1-110 Remove the ADF tray extender (2 of 2)

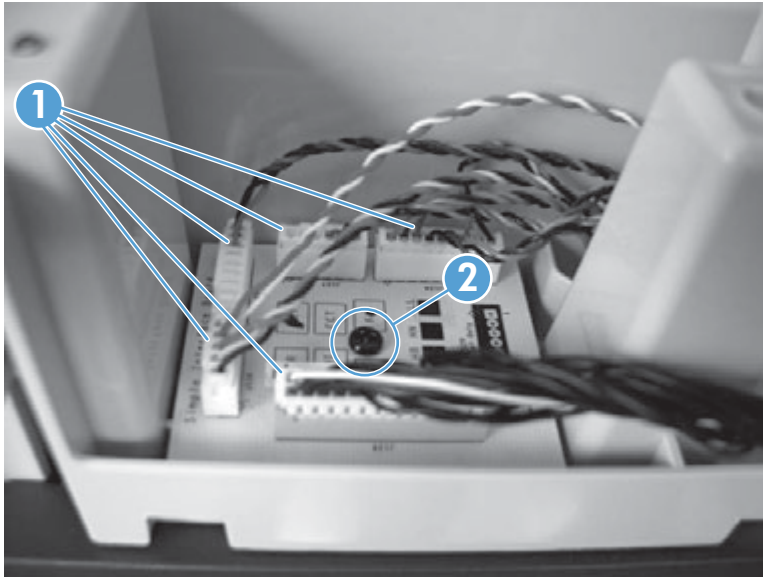


ADF PCA

⚠ WARNING!  ESD sensitive component.

1. Before proceeding, remove the following:
 - ADF rear cover. See [ADF rear cover on page 59](#).
2. Disconnect five connectors (callout 1), remove one screw (callout 2), and then remove the PCA.

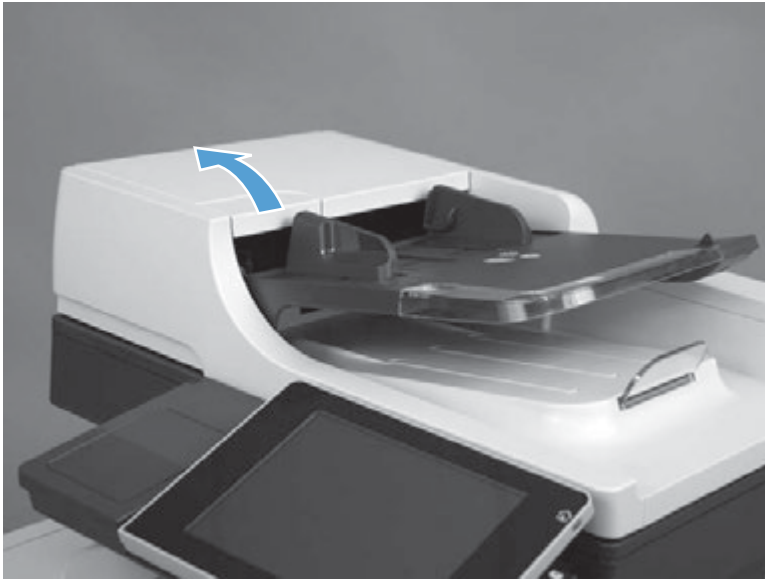
Figure 1-111 Remove the ADF PCA



ADF jam access cover

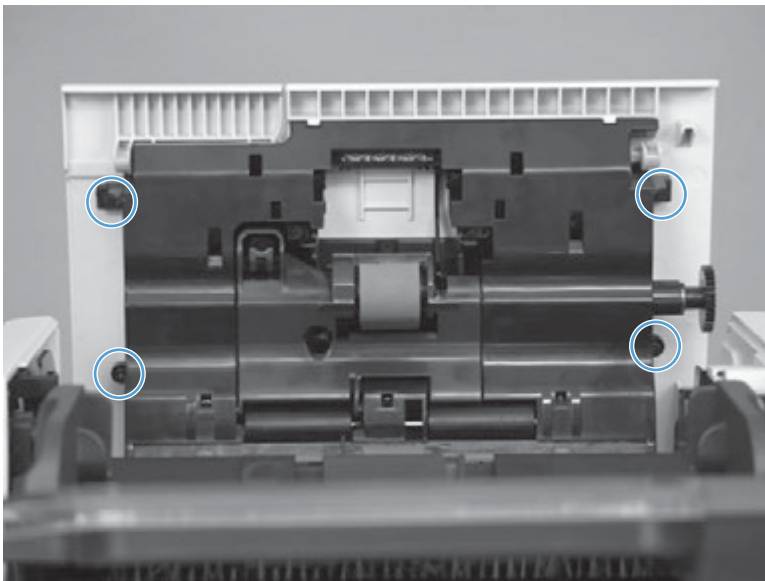
1. Open the ADF jam access cover.

Figure 1-112 Remove the ADF jam access cover (1 of 5)



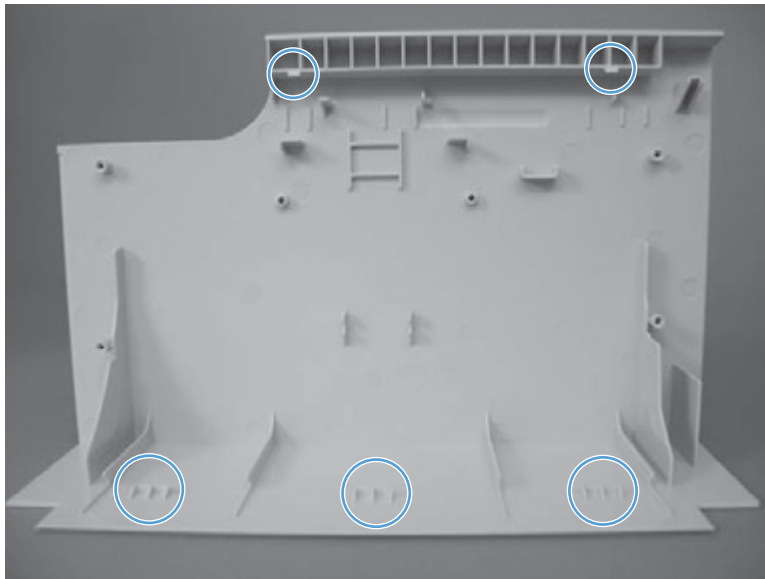
2. Remove four screws.

Figure 1-113 Remove the ADF jam access cover (2 of 5)



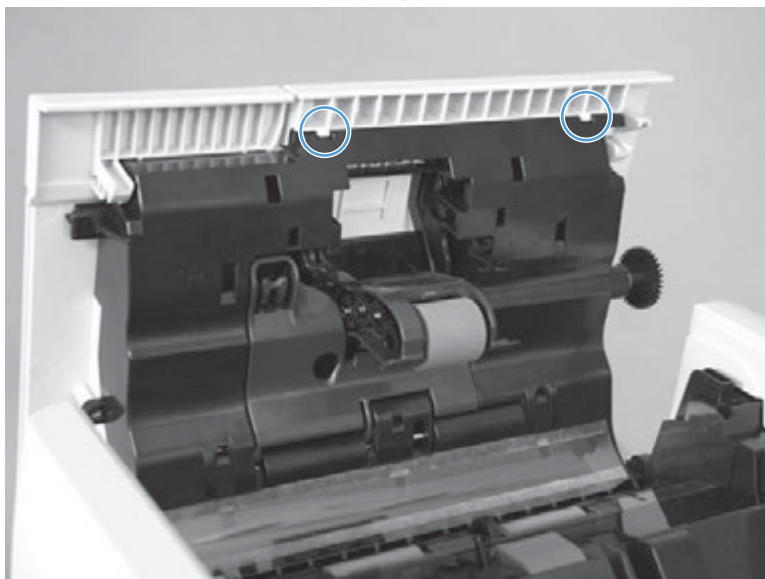
3. Before removing the cover, note the location of the tabs.

Figure 1-114 Remove the ADF jam access cover (3 of 5)



4. Release two tabs.

Figure 1-115 Remove the ADF jam access cover (4 of 5)



5. Close the ADF jam access cover, and then release the remaining three tabs and remove the cover.

Figure 1-116 Remove the ADF jam access cover (5 of 5)



ADF roller cover

1. Before proceeding, remove the following:
 - ADF jam access cover. See [ADF jam access cover on page 74](#).
2. Remove three springs.


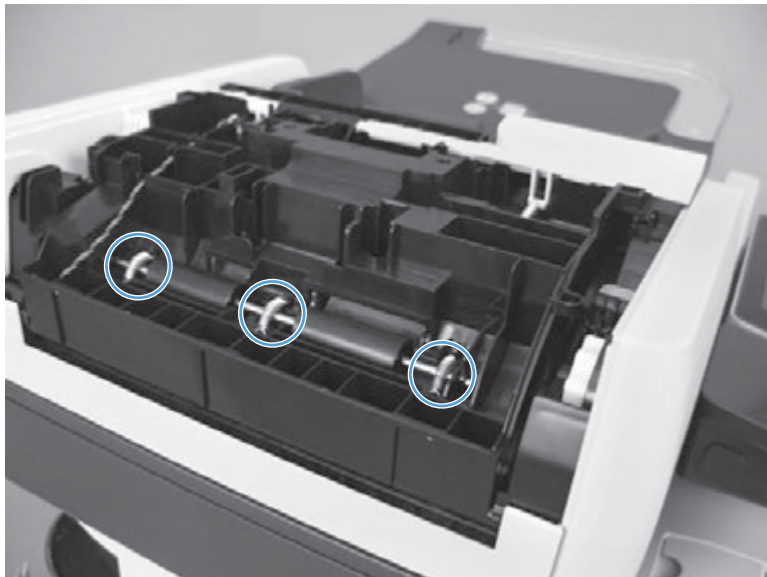
 **Reinstallation tip** Use needle nose pliers to reattach the spring. Attach the spring to the bottom hook first.

Figure 1-117 Remove the ADF roller cover (1 of 4)



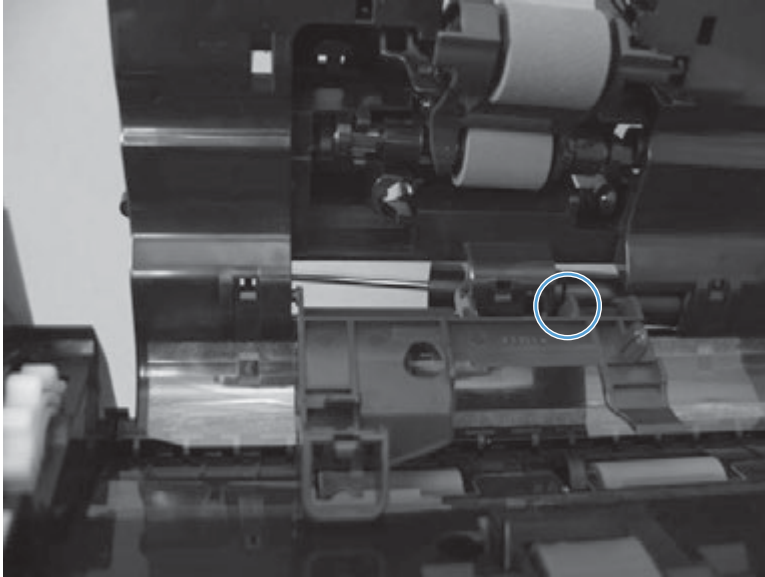
3. Lift and slide the rod.

Figure 1-118 Remove the ADF roller cover (2 of 4)



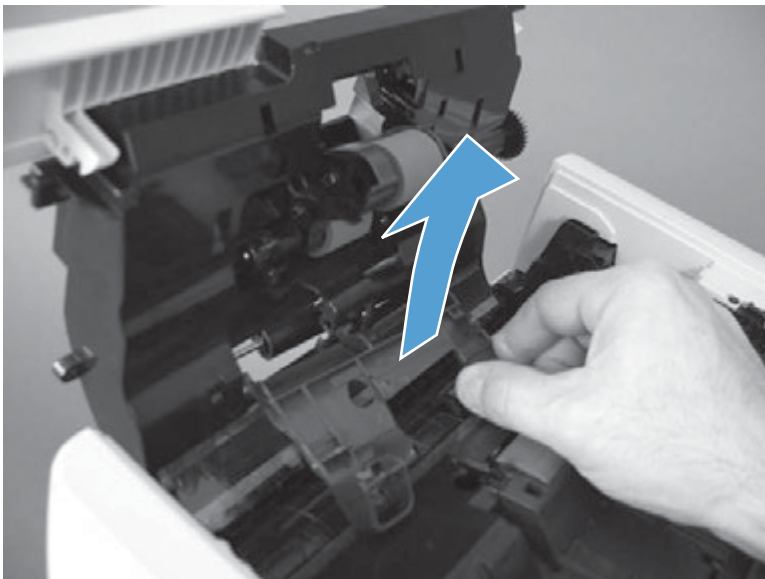
4. Open the jam-access cover. Release one hinge.

Figure 1-119 Remove the ADF roller cover (3 of 4)



5. Remove the ADF roller cover.

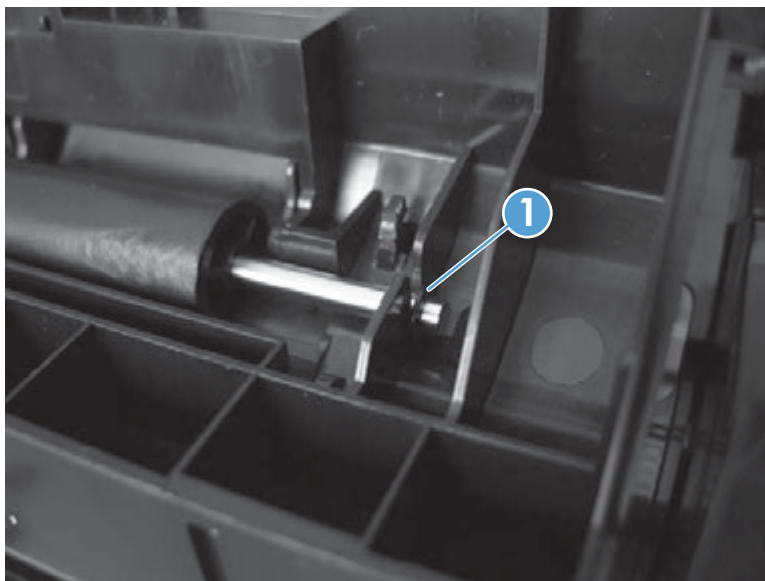
Figure 1-120 Remove the ADF roller cover (4 of 4)



Reinstall the ADF roller cover

- ▲ Make sure the rod for the roller is installed in the correct position (callout 1).

Figure 1-121 Reinstall the ADF roller cover



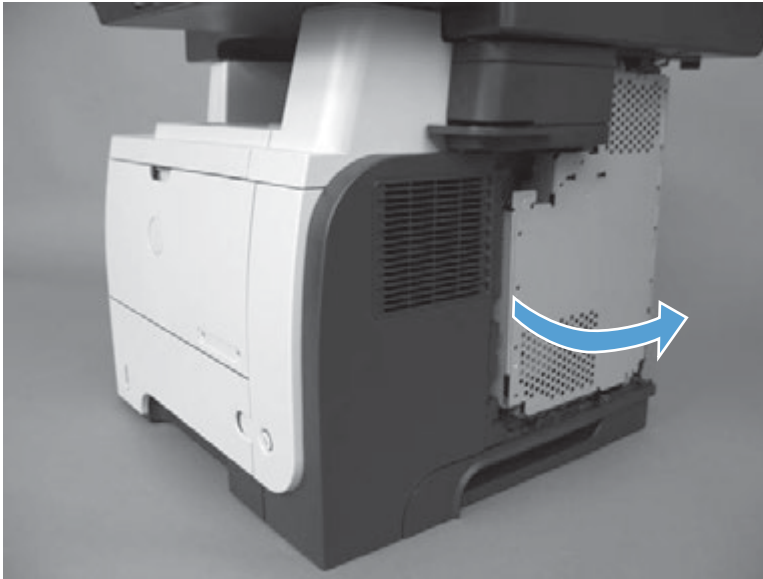
Scanner memory PCA (memory board kit)

WARNING!  ESD sensitive component.

1. Before proceeding, remove the following:
 - Formatter cover. See [Formatter cover on page 37](#).
 - Rear scanner cover. See [Rear scanner cover on page 56](#).

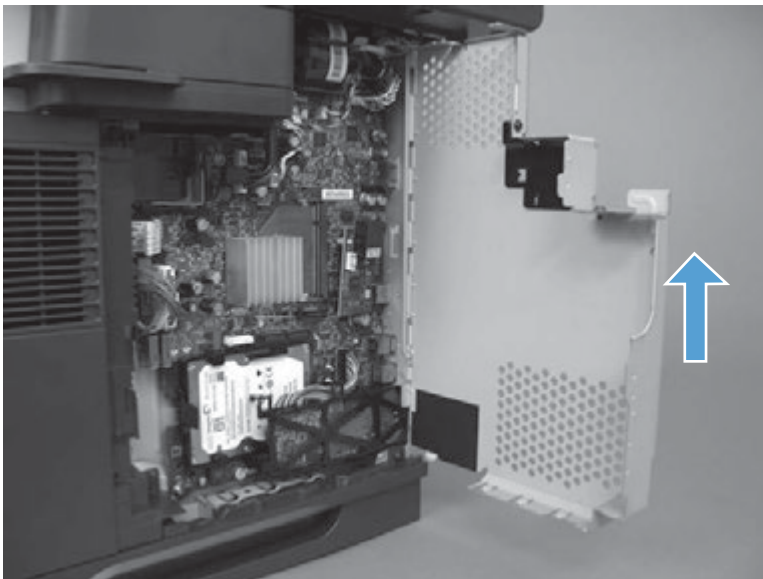
2. Open the formatter cage.

Figure 1-122 Remove the scanner memory PCA (1 of 4)



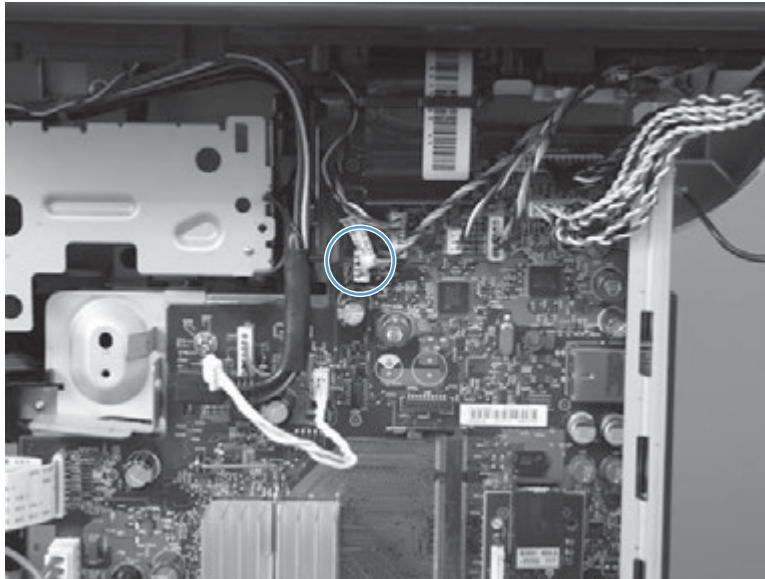
3. Lift and remove the sheet-metal door.

Figure 1-123 Remove the scanner memory PCA (2 of 4)

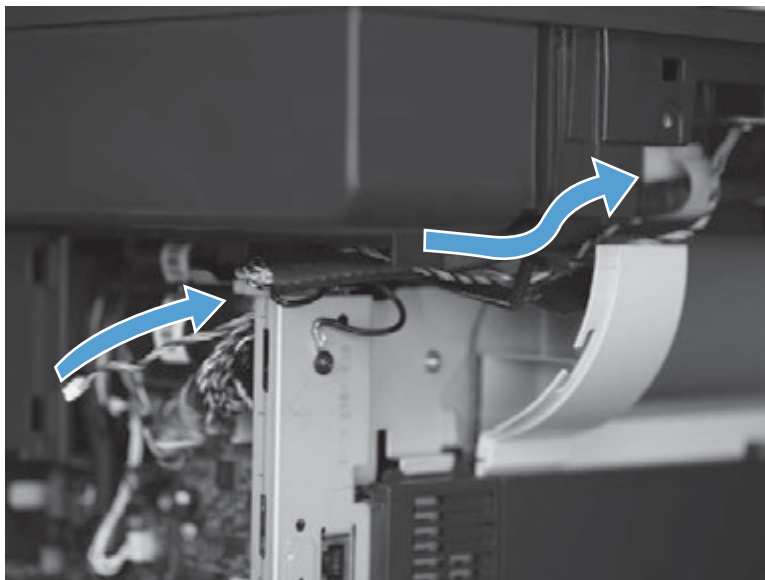


4. Disconnect one connector (J24).

Figure 1-124 Remove the scanner memory PCA (3 of 4)



5. Release the wire harness from its retainers.

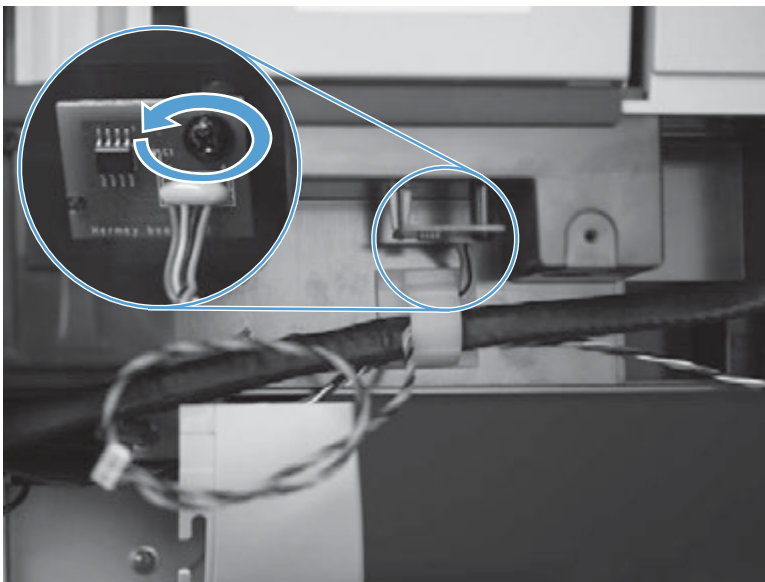


6. Release the wire harness from the holder.



7. Remove one screw and then remove the PCA.

Figure 1-125 Remove the scanner memory PCA (4 of 4)

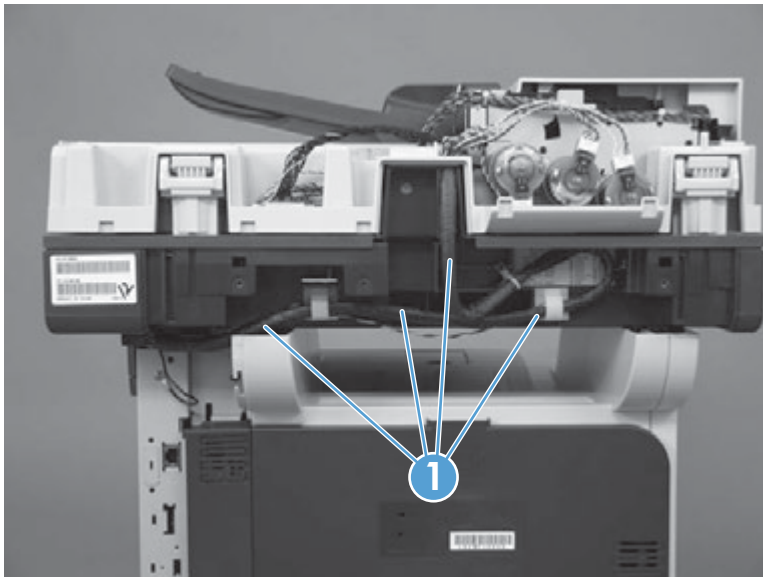


ADF cable

⚠ WARNING!  ESD sensitive component.

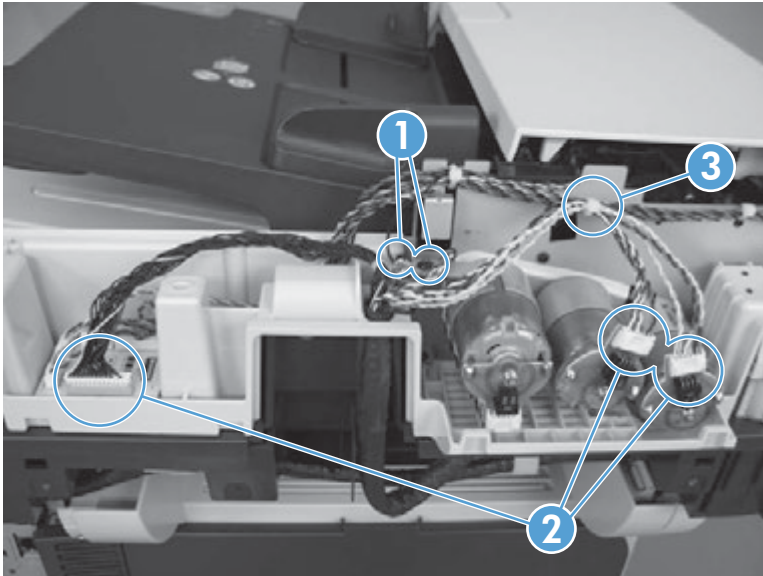
1. Before proceeding, remove the following:
 - Formatter cover. See [Formatter cover on page 37](#).
 - Rear scanner cover. See [Rear scanner cover on page 56](#).
 - ADF rear cover. See [ADF rear cover on page 59](#).
2. Locate the ADF cable (callout 1).

Figure 1-126 Remove the ADF cable (1 of 6)



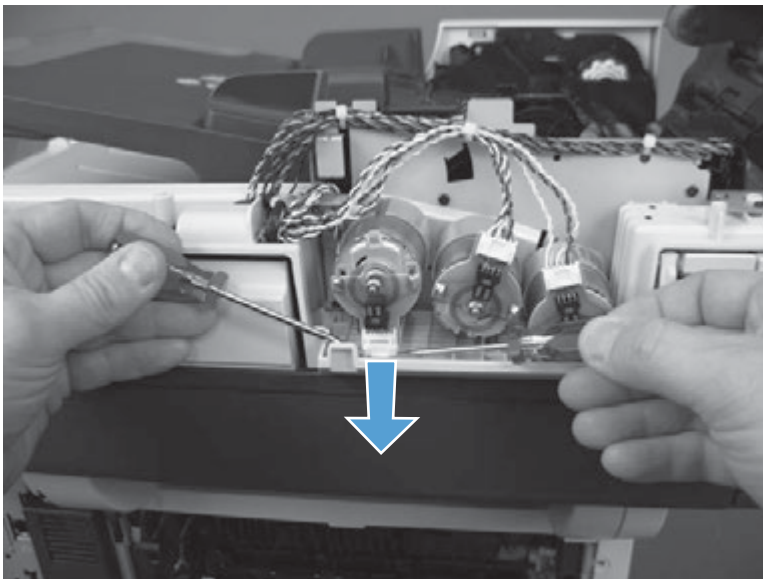
3. Remove two screws (callout 1), release three connectors (callout 2), and cut the tie wrap (callout 3).

Figure 1-127 Remove the ADF cable (2 of 5)



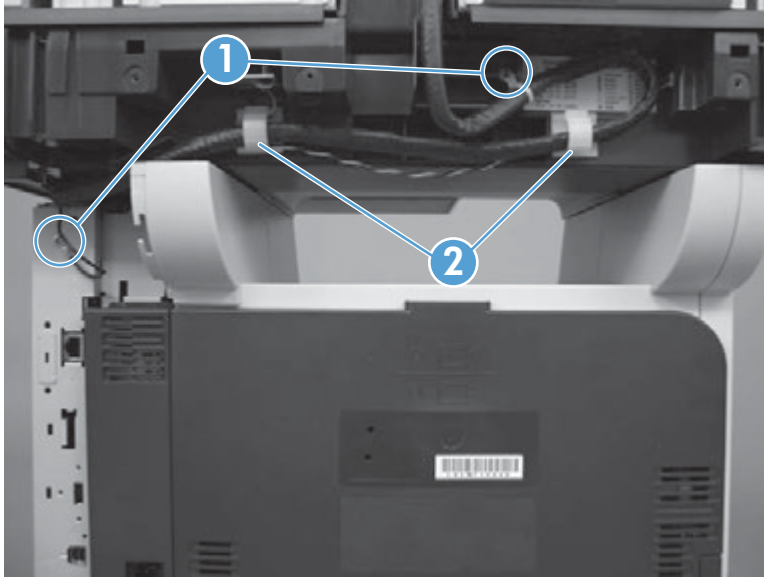
4. Carefully disconnect one connector. Use needle nose pliers or two small screwdrivers to disconnect.

Figure 1-128 Remove the ADF cable (2 of 5)



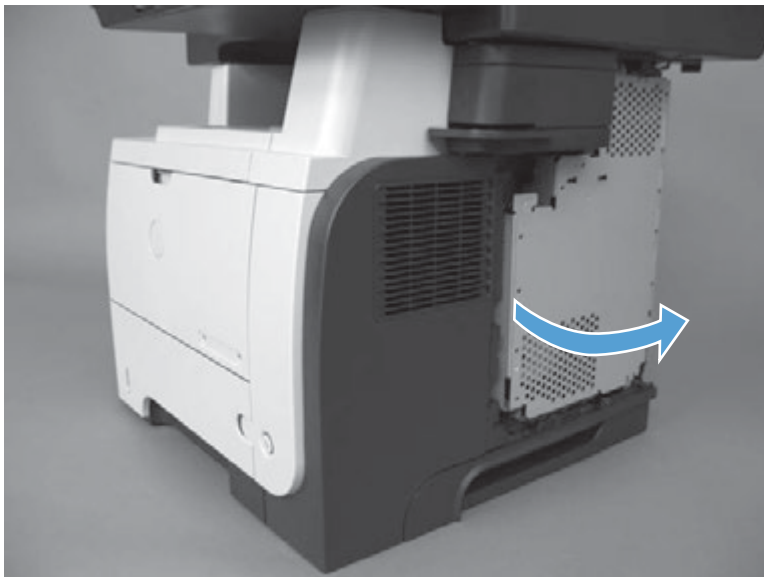
5. Remove two screws (callout 1) and then release the ADF cable from its retainers (callout 2).

Figure 1-129 Remove the ADF cable (3 of 5)



6. Open the formatter cage.

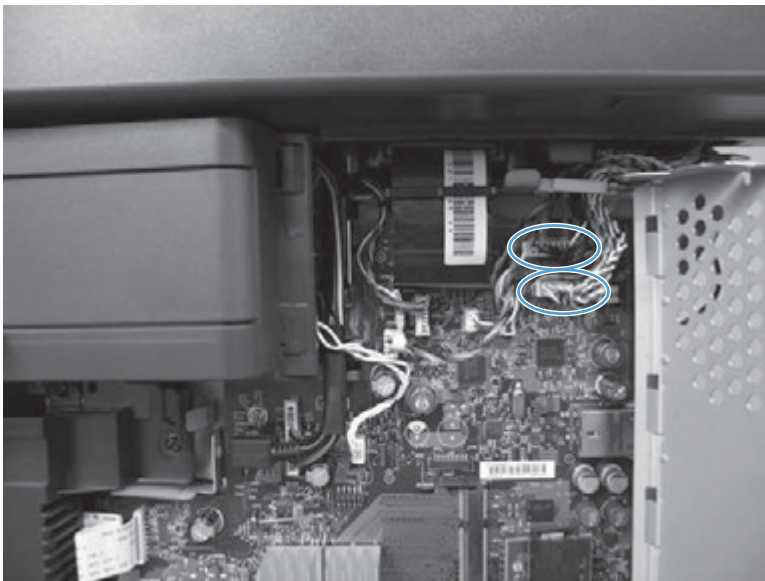
Figure 1-130 Remove the ADF cable (4 of 5)



7. Disconnect two connectors, release the cable from its retainer, and then remove the ADF cable.

To locate the formatter connector locations, see [Formatter connections on page 9](#).

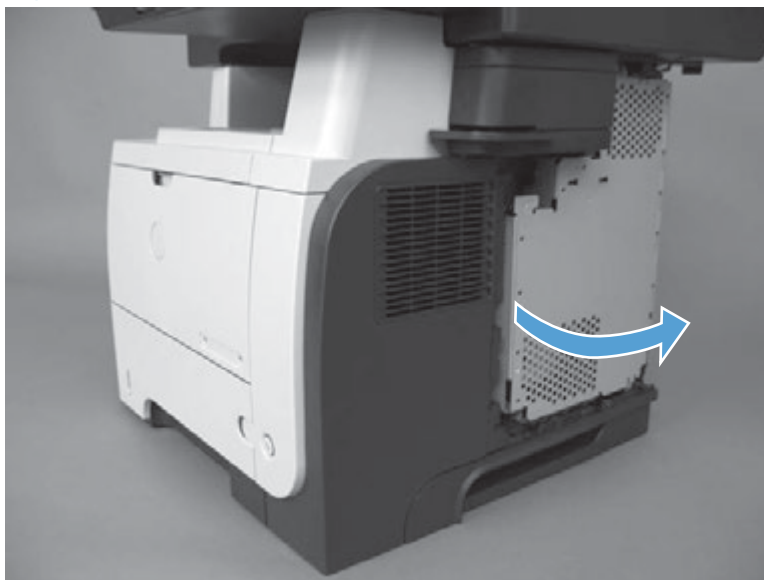
Figure 1-131 Remove the ADF cable (5 of 5)



ADF whole unit kit

1. Before proceeding, remove the following:
 - Formatter cover. See [Formatter cover on page 37](#).
 - Rear scanner cover. See [Rear scanner cover on page 56](#).
2. Open formatter cage.

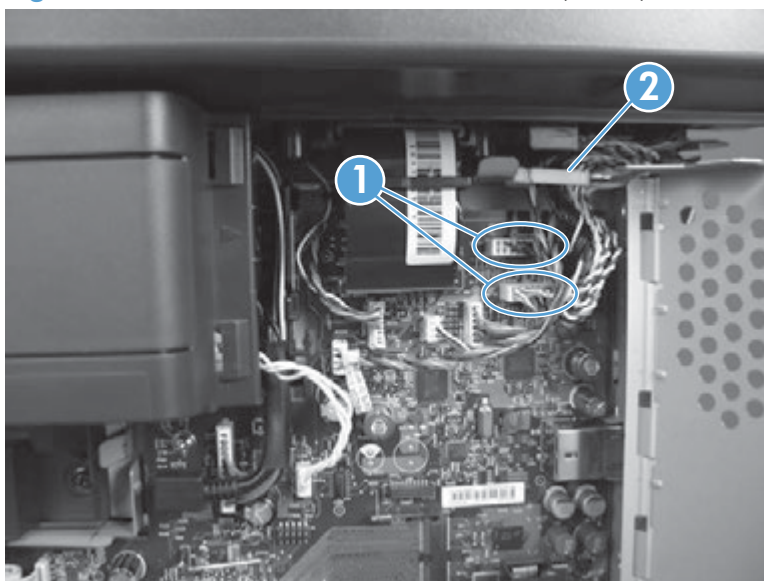
Figure 1-132 Remove the ADF whole unit kit (1 of 4)



3. Disconnect two connectors (callout 1) from the formatter PCA and then release the wire harness from its retainer (callout 2).

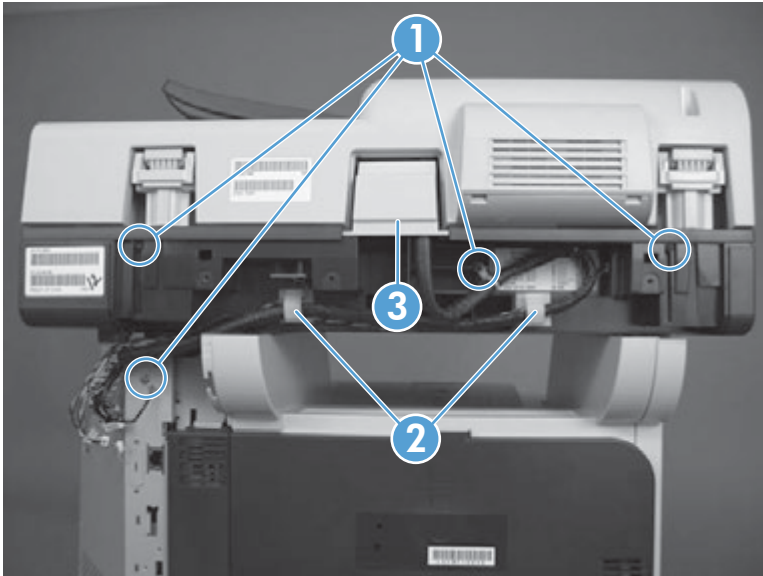
To locate the formatter connector locations, see [Formatter connections on page 9](#).

Figure 1-133 Remove the ADF whole unit kit (2 of 4)



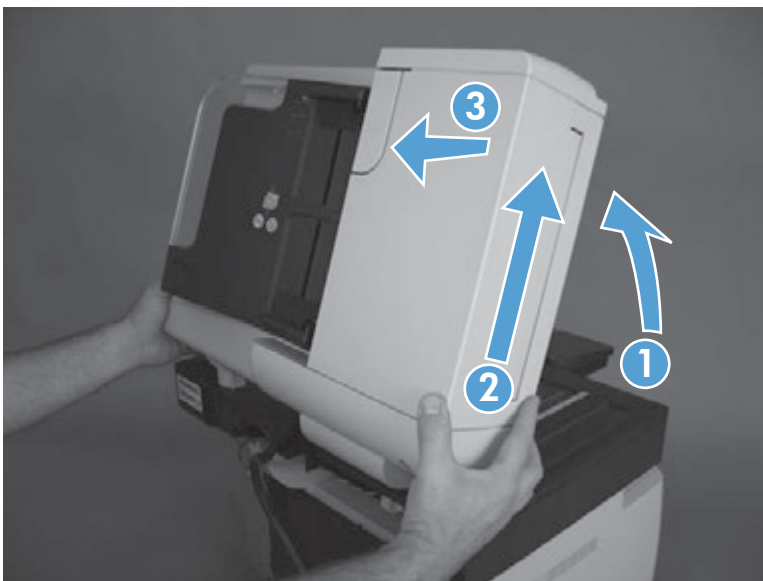
4. Remove four screws (callout 1), release the wire harness from two retainers (callout 2), and then remove one cover (callout 3).

Figure 1-134 Remove the ADF whole unit kit (3 of 4)



5. Open the ADF (callout 1). Lift the ADF (callout 2) until it stops, and then pull it toward the rear of the product (callout 3) to remove.

Figure 1-135 Remove the ADF (3 of 4)



Reinstall the ADF

Install foam reflector kit on the new ADF

- ▲ If a replacement ADF, image scanner, or both assemblies are installed, you must install a replacement foam reflector kit. See [Foam reflector kit \(white ADF backing\) on page 19](#).

Calibrate a replacement ADF

1. On the control-panel Home screen, scroll to and touch [Device Maintenance](#).
2. Touch [Calibration/Cleaning](#).
3. Touch [Calibrate Scanner](#).
4. Follow the instructions on the control-panel display.

ADF hinge assembly

1. Before proceeding, remove the following:
 - Formatter cover. See [Formatter cover on page 37](#).
 - Rear scanner cover. See [Rear scanner cover on page 56](#).
 - ADF whole unit kit. See [ADF whole unit kit on page 87](#).
2. Remove four screws and the ADF hinge assembly.

Figure 1-136 Remove the ADF hinge assembly

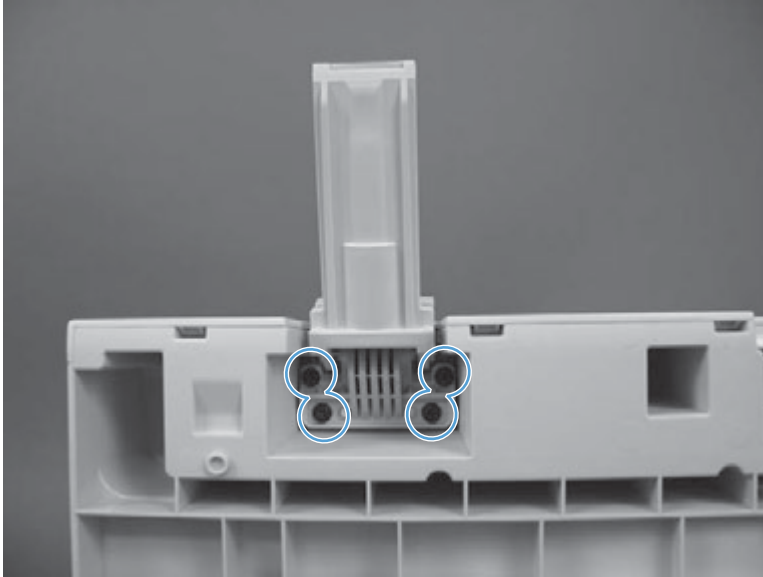
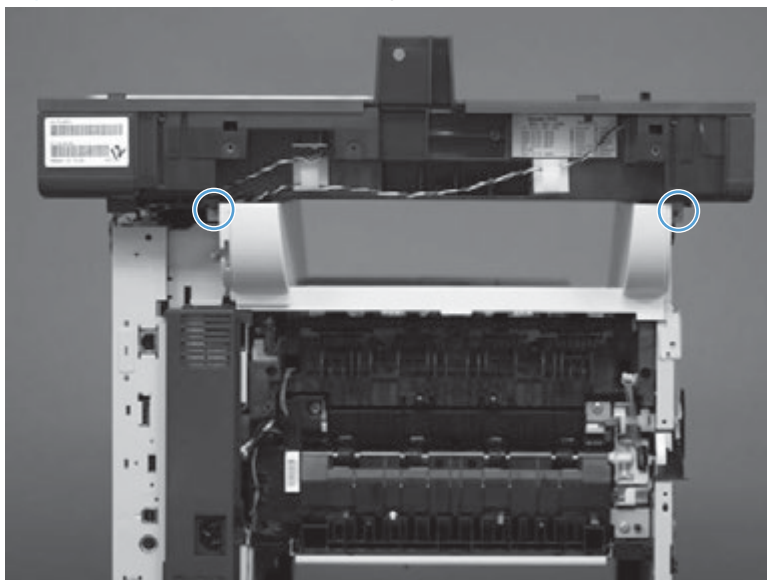


Image scanner whole unit kit

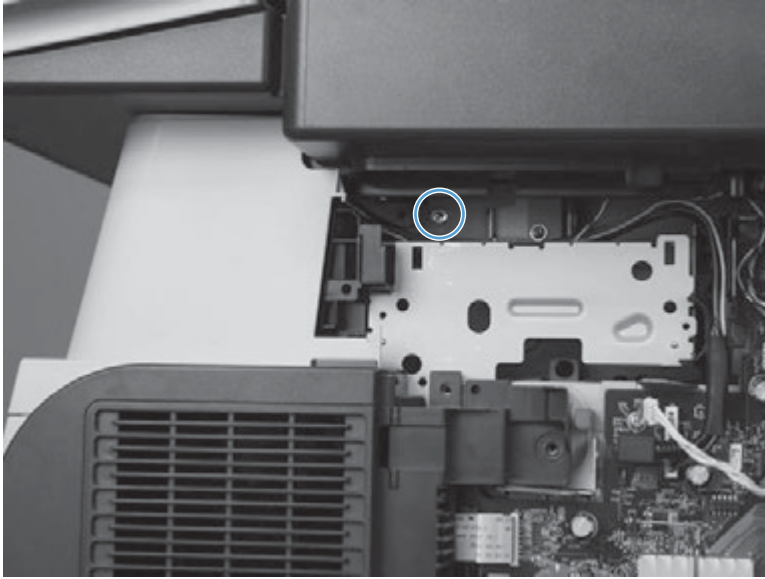
1. Before proceeding, remove the following:
 - Control panel assembly. See [Control-panel assembly on page 16](#).
 - Formatter cover. See [Formatter cover on page 37](#).
 - Stapler cover or substitute stapler cover. See [Stapler cover on page 40](#) or [Substitute stapler cover on page 42](#).
 - Stapler assembly. See [Stapler assembly on page 43](#).
 - Rear cover assembly. See [Rear cover assembly on page 44](#).
 - Left cover. See [Left cover on page 48](#).
 - Rear scanner cover. See [Rear scanner cover on page 56](#).
 - ADF whole unit kit. See [ADF whole unit kit on page 87](#).
2. Remove two screws.

Figure 1-137 Remove the image scanner whole unit kit (1 of 6)



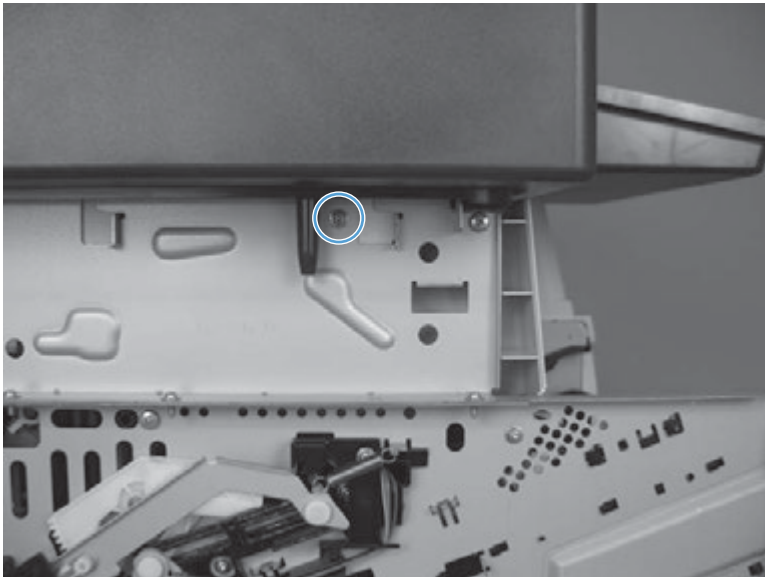
3. Remove one self-tapping screw on the right side of the product.

Figure 1-138 Remove the image scanner whole unit kit (2 of 6)



4. Remove one screw on the left side of the product.

Figure 1-139 Remove the image scanner whole unit kit (3 of 6)

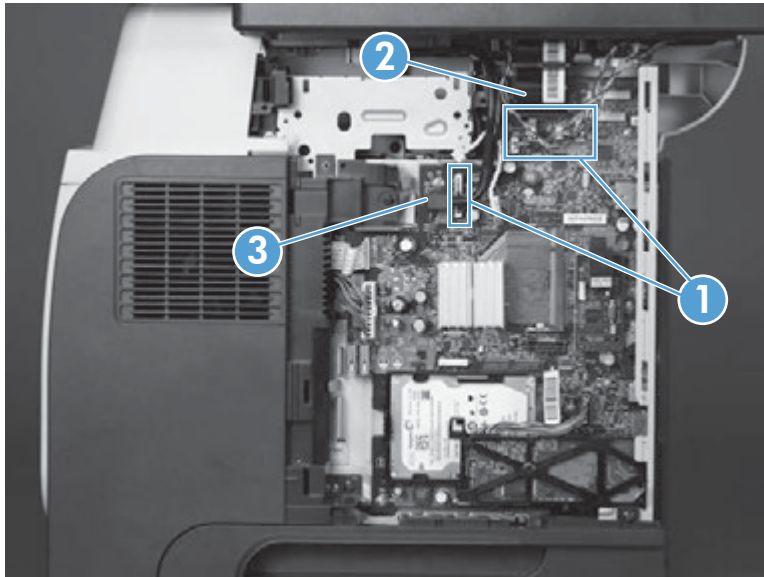


5. Disconnect five connectors (callout 1), one FFC (callout 2), and one USB cable (callout 3) from the formatter.

 **Reinstallation tip** If there are two FFC connectors, install the FFC in the bottom connector.

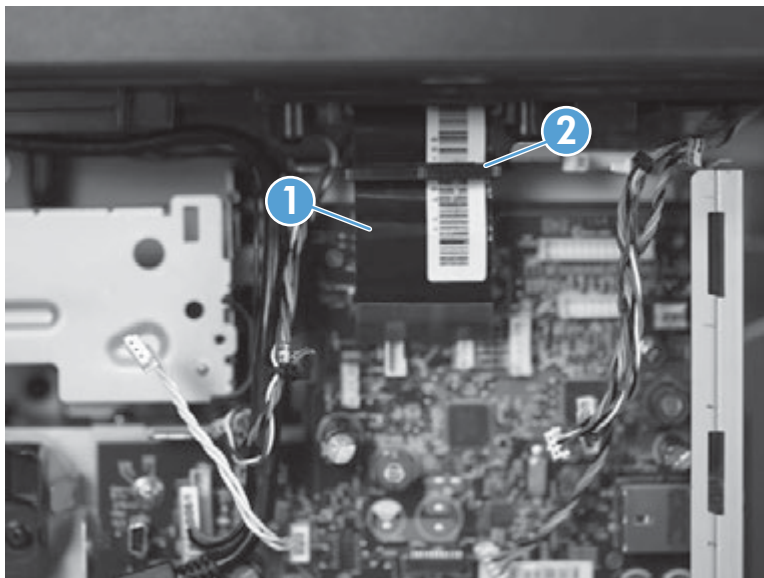
To locate the formatter connector locations, see [Formatter connections on page 9](#).

Figure 1-140 Remove the image scanner whole unit kit (4 of 6)



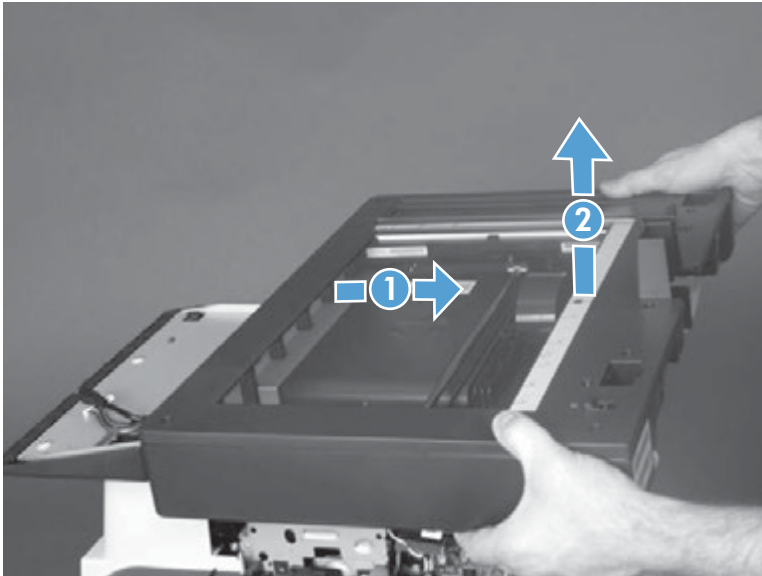
6. Release the FFC (callout 1) from the retainer (callout 2).

Figure 1-141 Remove the image scanner whole unit kit (5 of 6)



7. Slide the scanner toward the rear of the product (callout 1) until it stops. Lift the scanner (callout 2) to remove.

Figure 1-142 Remove the image scanner whole unit kit (6 of 6)



Reinstall the image scanner

Install foam reflector kit on the ADF

- ▲ If a replacement ADF, image scanner, or both assemblies are installed, you must install a replacement foam reflector kit that came with the replacement part. See [Foam reflector kit \(white ADF backing\) on page 19](#).

Calibrate the image scanner

1. On the control-panel Home screen, scroll to and touch [Device Maintenance](#).
2. Touch [Calibration/Cleaning](#).
3. Touch [Calibrate Scanner](#).
4. Follow the instructions on the control-panel display.

Main assemblies

Tray 1 pickup roller

⚠ CAUTION: Do not touch the surface of the roller. Skin oils deposited on the roller might cause print-quality problems.

1. Press the cartridge-door release button, and then open the cartridge door. Make sure that the door is completely open.

Figure 1-143 Remove the Tray 1 pickup roller (1 of 2)



2. Release two tabs, and then rotate the roller out and away from the product to remove it.


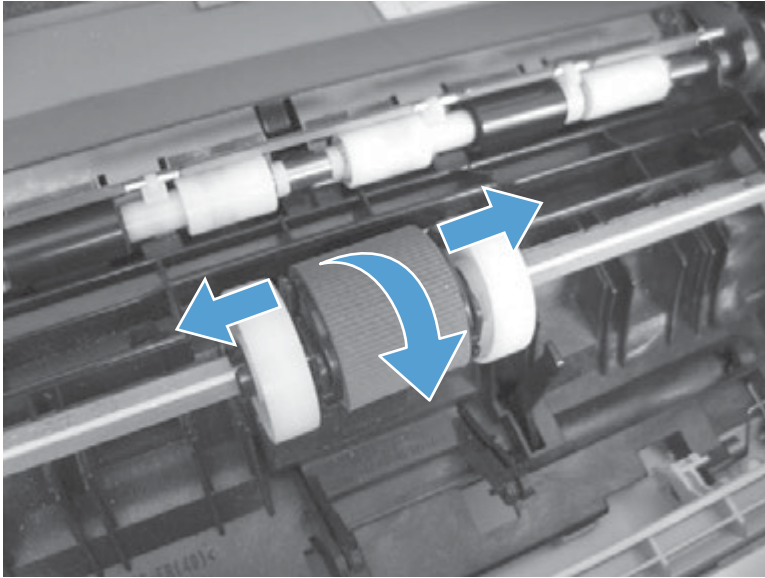
 **TIP:** It might be easier to release the tabs by using a small flat blade screwdriver.

Figure 1-144 Remove the Tray 1 pickup roller (2 of 2)



Tray 1 separation pad

⚠ CAUTION: Do not touch the surface of the pad. Skin oils deposited on the roller might cause paper-handling problems.

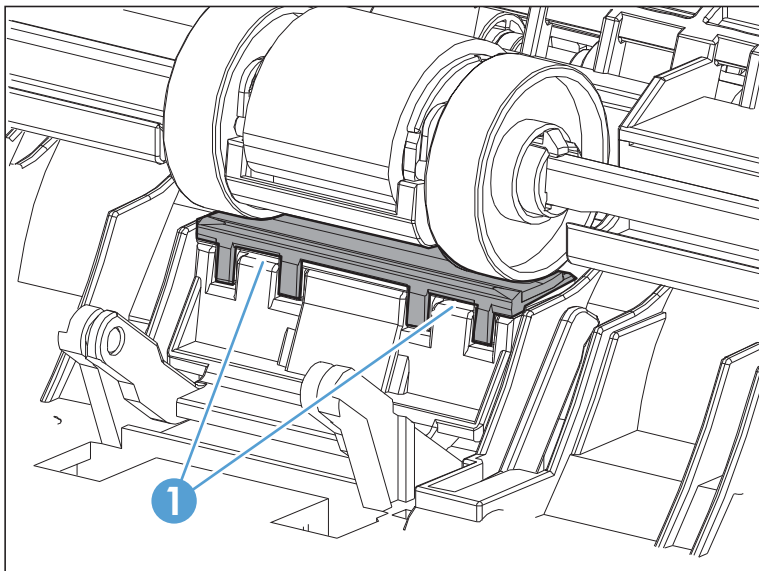
1. Press the cartridge-door release button, and then open the cartridge door. Make sure that the door is completely open.

Figure 1-145 Remove the Tray 1 separation pad (1 of 2)



2. Release two tabs (callout 1), and then remove the separation pad.

Figure 1-146 Remove the Tray 1 separation pad (2 of 2)



Tray 2, 3, or 4 pickup roller

CAUTION: Do not touch the surface of the roller. Skin oils deposited on the roller might cause print-quality problems.

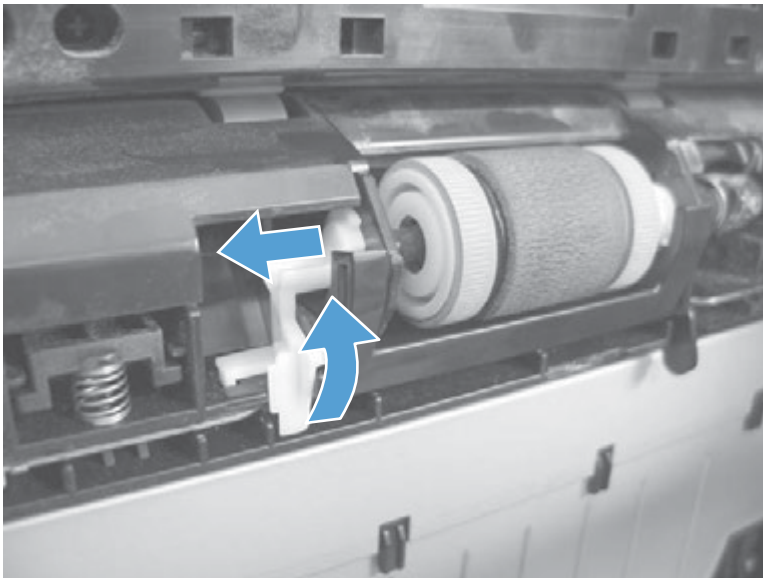
NOTE: If you did not remove Tray 2, 3, or 4 before servicing the product, remove them now.

1. Carefully place the product front-side up, so that you can see into the opening where the tray would be installed.

NOTE: Debris can scratch or damage the back of the product. Before you place the product front-side up, remove any debris from the work surface. If possible, set the product on a clean, dry cloth to prevent scratching and damage.

2. Release the roller bushing, rotate the bushing up, and then slide the bushing off of the roller shaft.

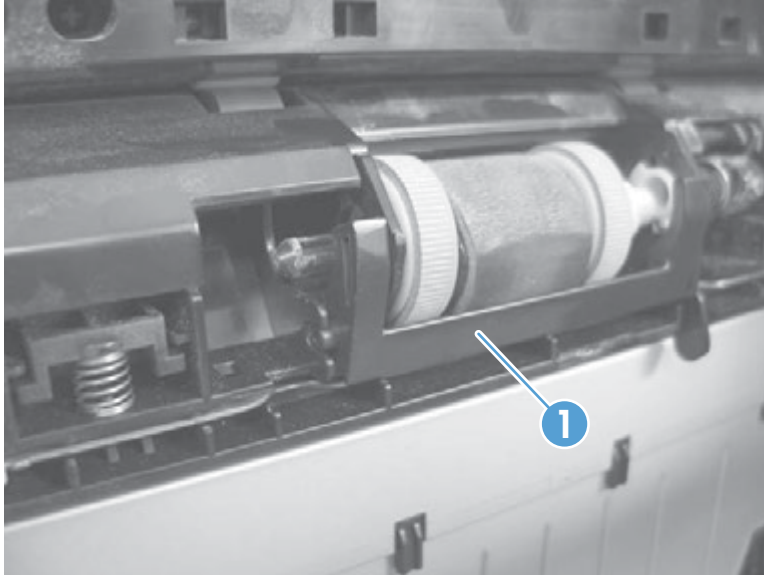
Figure 1-147 Remove the Tray 2, 3, or 4 pickup roller (1 of 3)



- Carefully remove the black-plastic guard (callout 1).

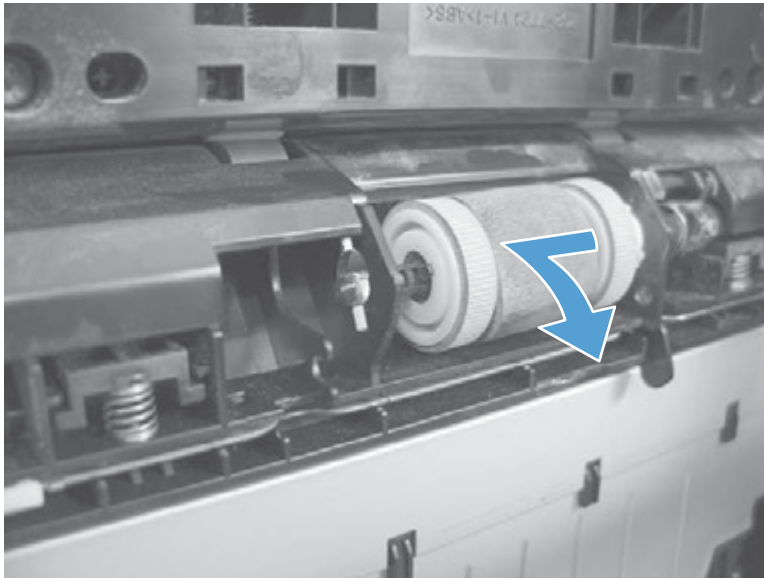
⚠ CAUTION: The guard is partially retained by the bushing removed in the previous step. Do not lose the guard when the bushing is removed.

Figure 1-148 Remove the Tray 2, 3, or 4 pickup roller (2 of 3)



- Slide the roller toward the left side of the product, rotate the right end of the roller away from the product, and then remove the roller assembly.

Figure 1-149 Remove the Tray 2, 3, or 4 pickup roller (3 of 3)

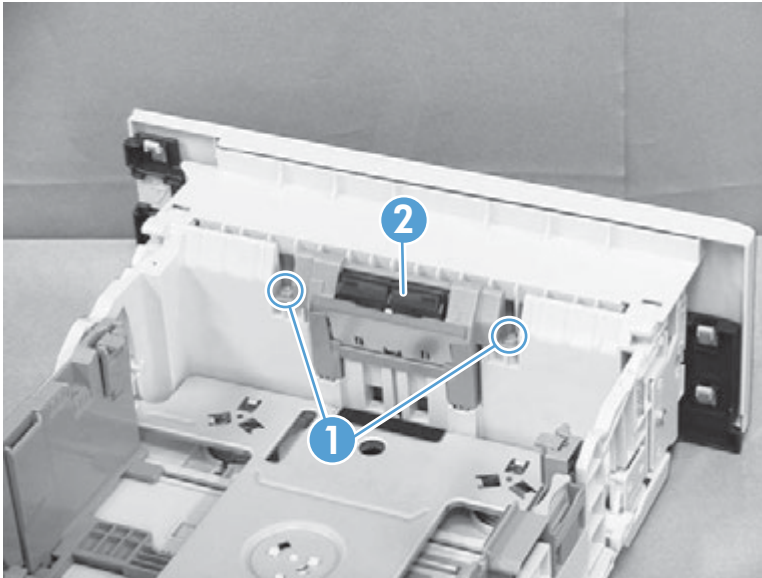


Tray 2, 3, or 4 separation pad

CAUTION: Do not touch the surface of the pad. Skin oils deposited on the roller might cause paper-handling problems.

1. Remove the tray. See [Tray 2, Tray 3, or Tray 4 assembly on page 14](#).
2. Remove two screws (callout 1), and then remove the separation pad (callout 2).

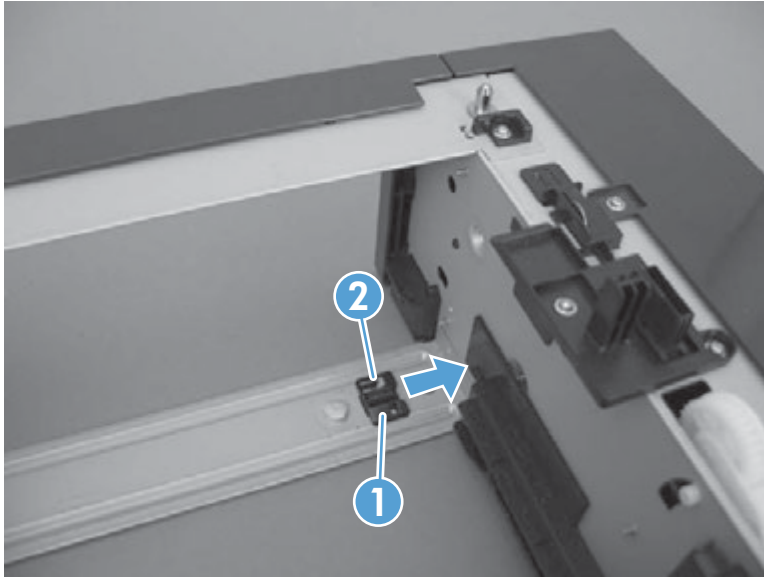
Figure 1-150 Remove the Tray 2, 3, or 4 separation pad



Tray 2, 3, or 4 base-plate roller assembly

1. Remove the tray. See [Tray 2, Tray 3, or Tray 4 assembly on page 14](#).
2. Locate the base roller assembly (callout 1), release one tab (callout 2), and then slide the assembly toward the outside of the product to release it.

Figure 1-151 Tray 2, 3, or 4 base plate roller assembly (1 of 2)



3. Remove the base plate roller assembly.

Figure 1-152 Tray 2, 3, or 4 base plate roller assembly (2 of 2)



Transfer roller

CAUTION: Do not touch the black-sponge portion of the transfer roller. Skin oils deposited on the transfer roller might cause print-quality problems.

1. Press the cartridge-door release button, and then open the cartridge door. Make sure that the door is completely open.

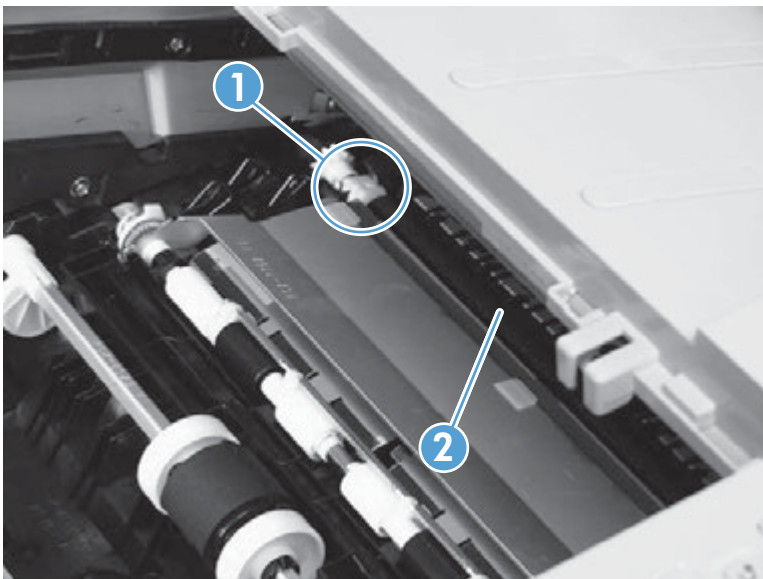
NOTE: If you did not remove the toner cartridge before servicing the product, remove it now.

Figure 1-153 Remove the transfer roller (1 of 3)



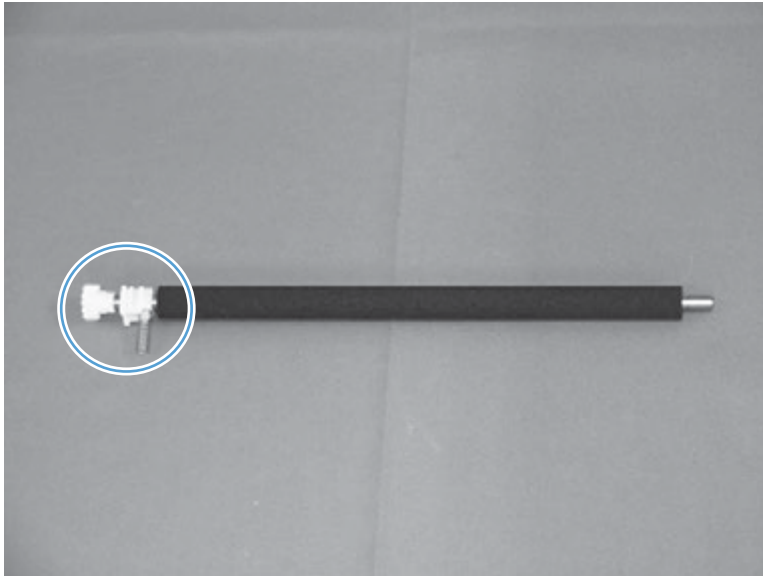
2. Release two tabs (callout 1) at the left end of the roller, slightly lift the end of the roller up, and then slide the roller (callout 2) toward the left to release it. Remove the roller.

Figure 1-154 Remove the transfer roller (2 of 3)



3. If necessary, remove the gear, the bushing, and the spring, and then install them on a replacement roller.

Figure 1-155 Remove the transfer roller (3 of 3)

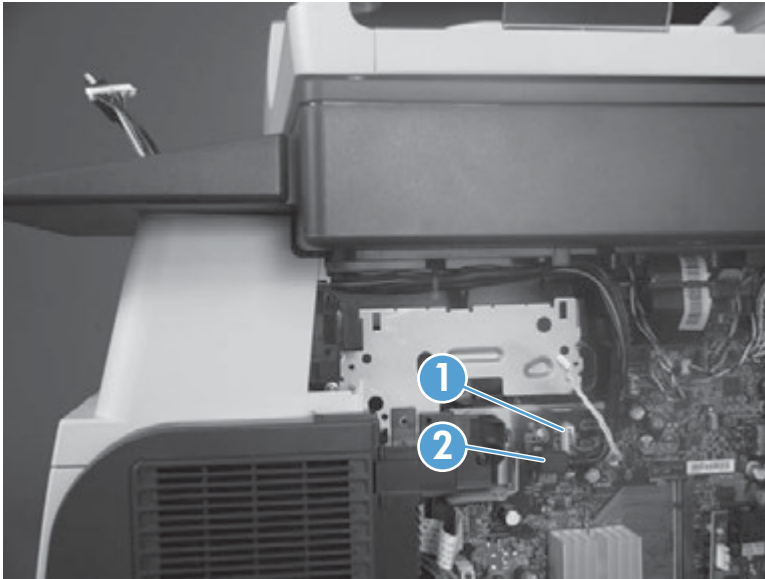


Control-panel cable

1. Before proceeding, remove the following components:
 - Control-panel assembly. See [Control-panel assembly on page 16](#).
 - Formatter cover. See [Formatter cover on page 37](#).
 - Stapler cover or substitute stapler cover. See [Stapler cover on page 40](#) or [Substitute stapler cover on page 42](#).
 - Stapler assembly. See [Stapler assembly on page 43](#).

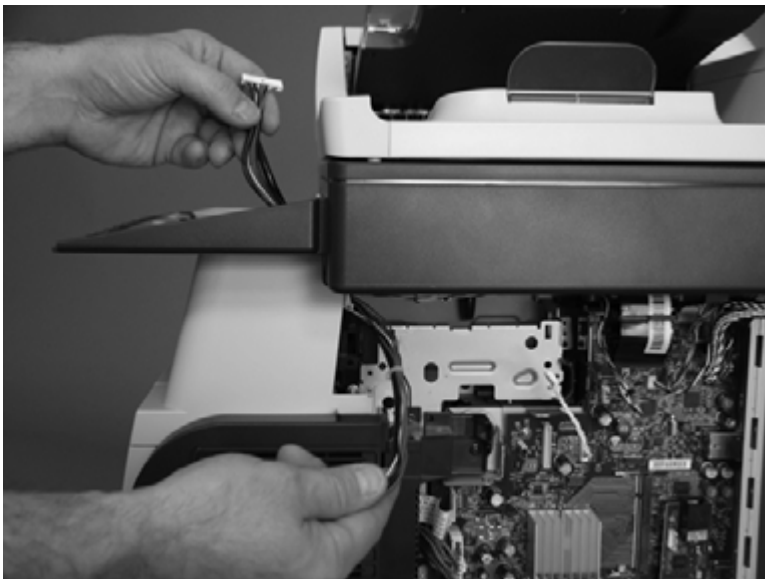
2. Disconnect one connector (callout 1) and one USB cable (callout 2).

Figure 1-156 Remove the control-panel cable (1 of 2)



3. Carefully remove the cable.

Figure 1-157 Remove the control-panel cable (2 of 2)



Fuser

1. Before proceeding, remove the following components:
 - Rear cover assembly. See [Rear cover assembly on page 44](#).
 - Right-rear cover. See [Right-rear cover on page 50](#).
2. Release two tabs (callout 1) on the duplex media-feed guide, and then slide the guide toward the rear of the product to remove it.


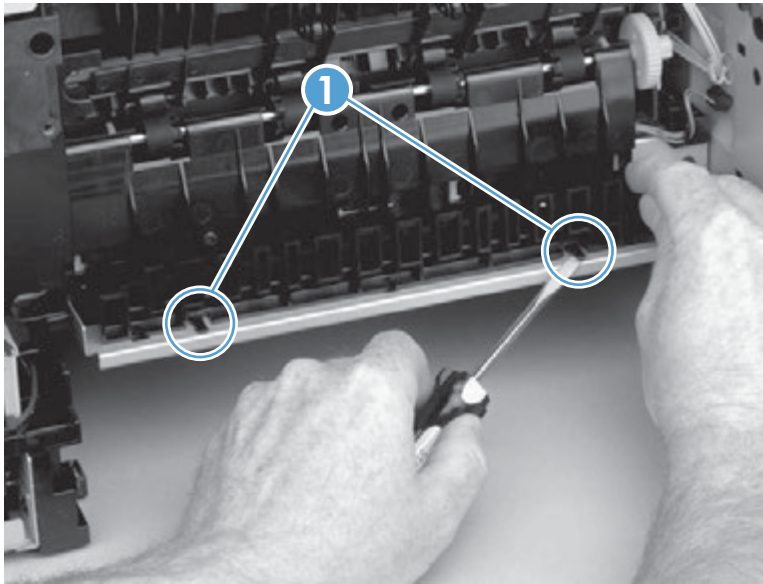
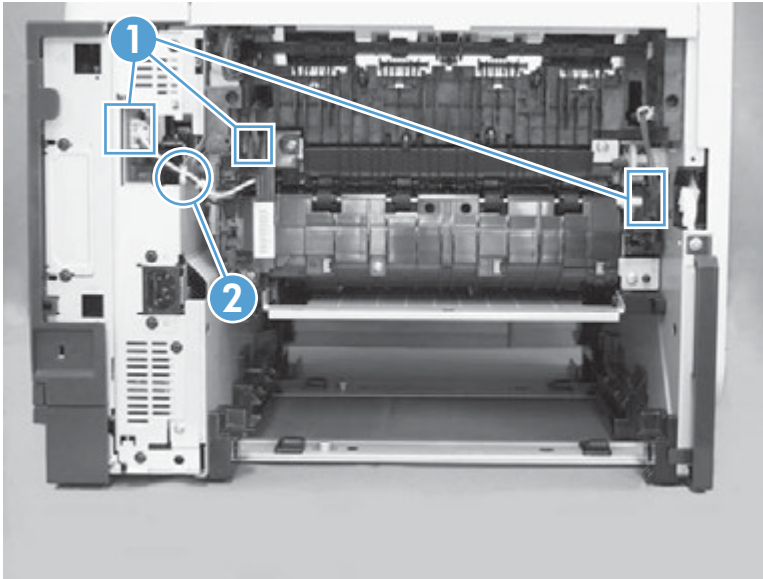
 **Reinstallation tip** Make sure that both tabs snap back into place when reinstalling the duplex media-feed guide.

Figure 1-158 Remove the fuser (1 of 4)



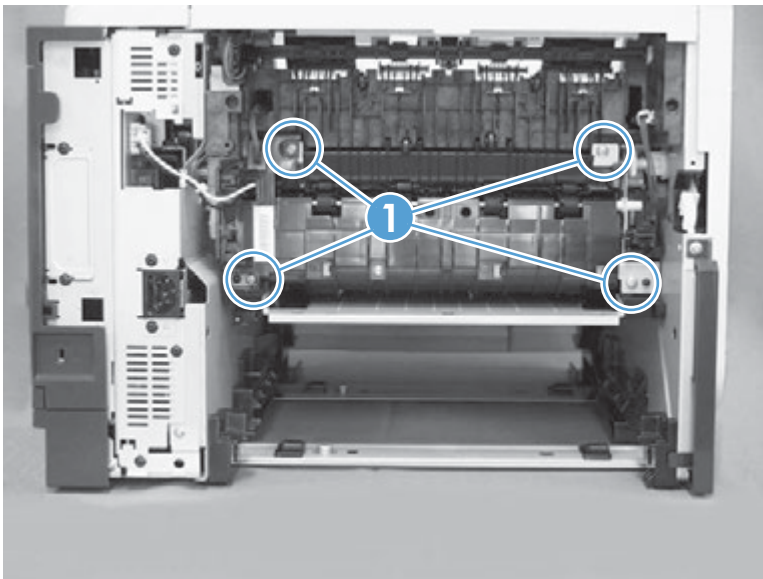
3. Disconnect three connectors (callout 1), and release one wire harness from the retainer (callout 2).

Figure 1-159 Remove the fuser (2 of 4)



4. Remove four screws (callout 1).

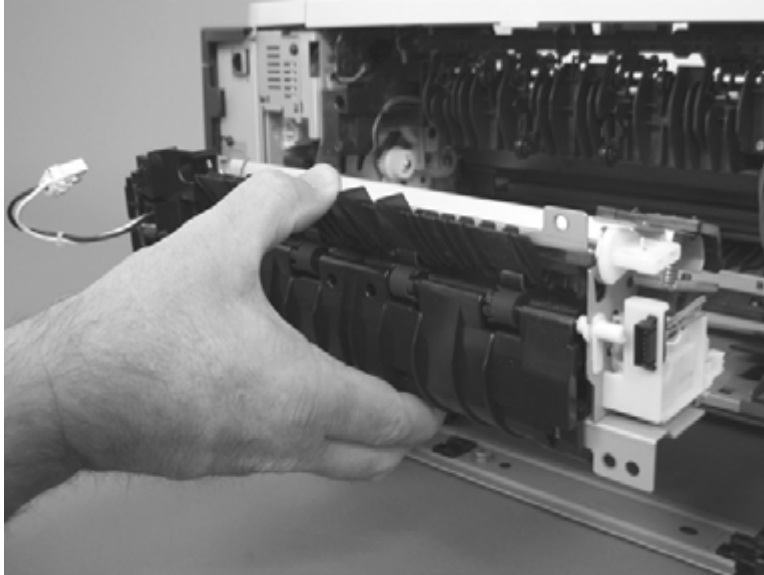
Figure 1-160 Removing the fuser (3 of 4)



5. Pull the fuser out of the back of the product.

⚠ CAUTION: To avoid damaging the fuser, the cartridge-door assembly must be closed before you remove the fuser.

Figure 1-161 Removing the fuser (4 of 4)



Duplex media-feed assembly

1. Before proceeding, remove the following components:
 - Rear cover assembly. See [Rear cover assembly on page 44](#).
 - Right-rear cover. See [Right-rear cover on page 50](#).
2. Release two tabs (callout 1) on the duplex media-feed guide, and then slide the guide toward the back of the product to remove it.


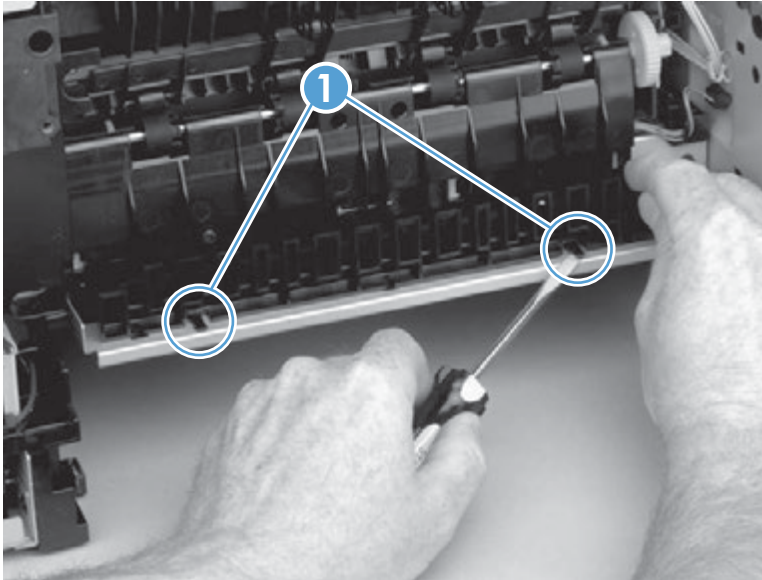
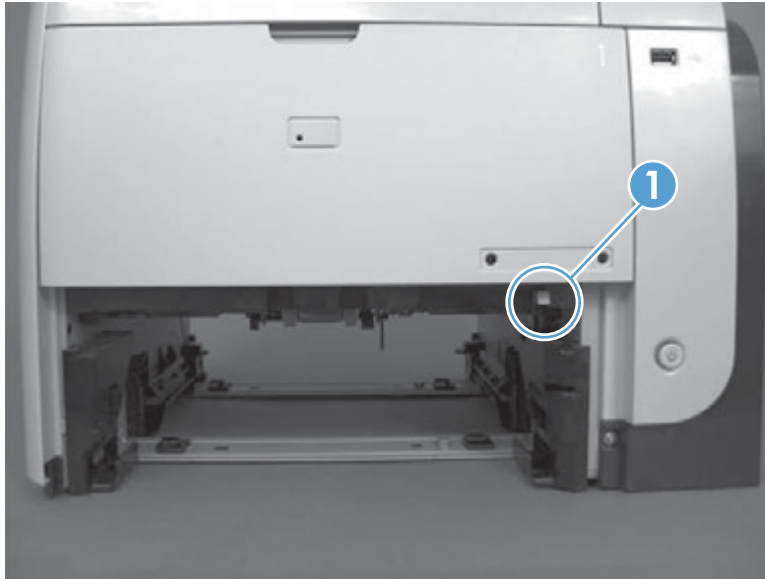
 **Reinstallation tip** Make sure that both tabs snap back into place when reinstalling the duplex media-feed guide.

Figure 1-162 Remove the duplex media-feed assembly (1 of 5)



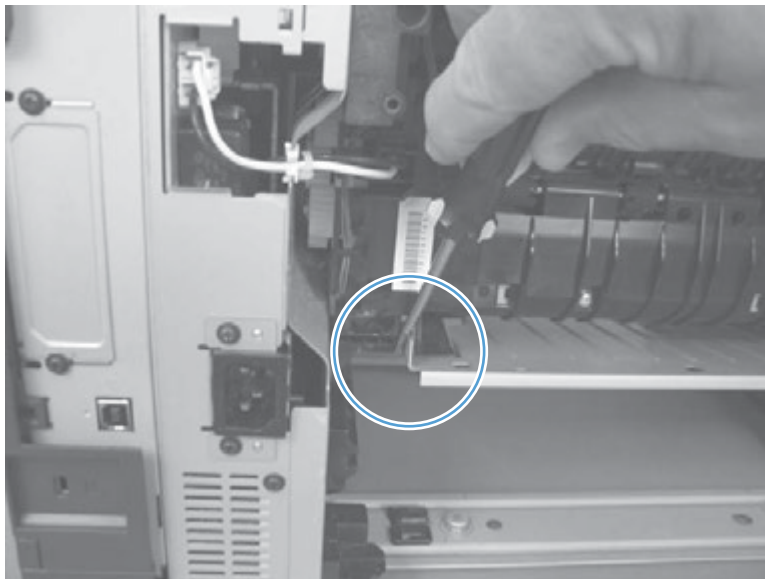
3. Press the green lever (callout 1) to release the duplex media-feed assembly.

Figure 1-163 Remove the duplex media-feed assembly (2 of 5)



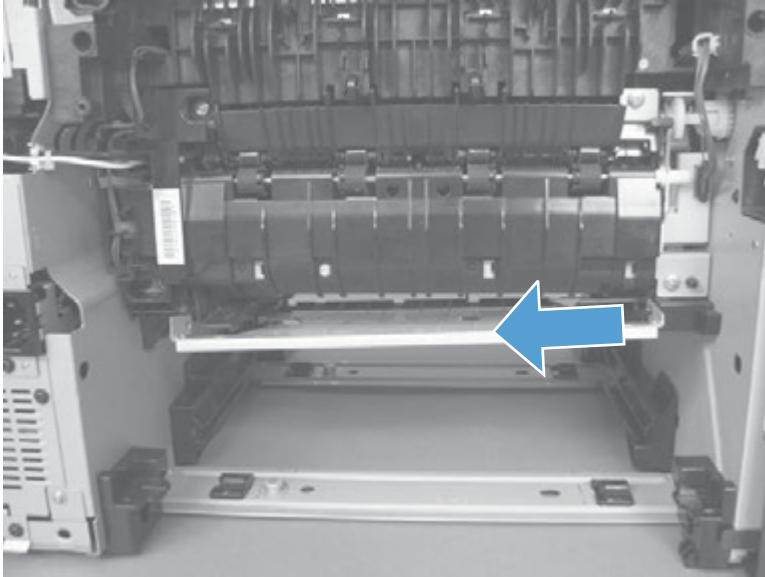
4. Use a small flat blade screwdriver to carefully pry the sheet-metal tab on the assembly away from the hinge pin to release it.

Figure 1-164 Remove the duplex media-feed assembly (3 of 5)



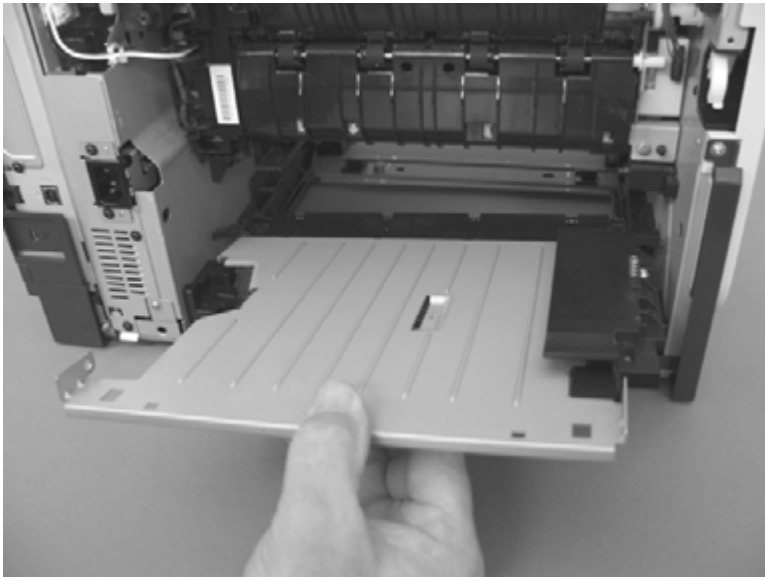
5. Slide the assembly away from the other hinge pin to release it.

Figure 1-165 Remove the duplex media-feed assembly (4 of 5)



6. Pull the duplex media-feed assembly out of the back of the product.

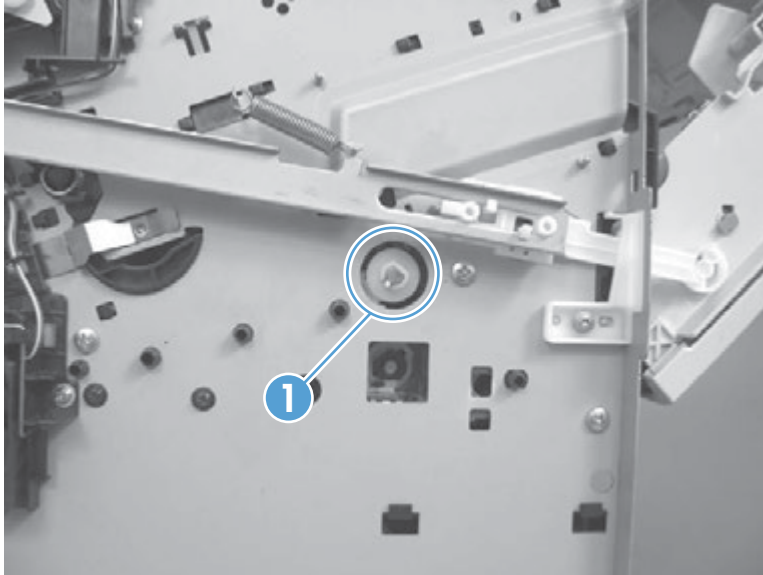
Figure 1-166 Remove the duplex media-feed assembly (5 of 5)



Registration roller assembly

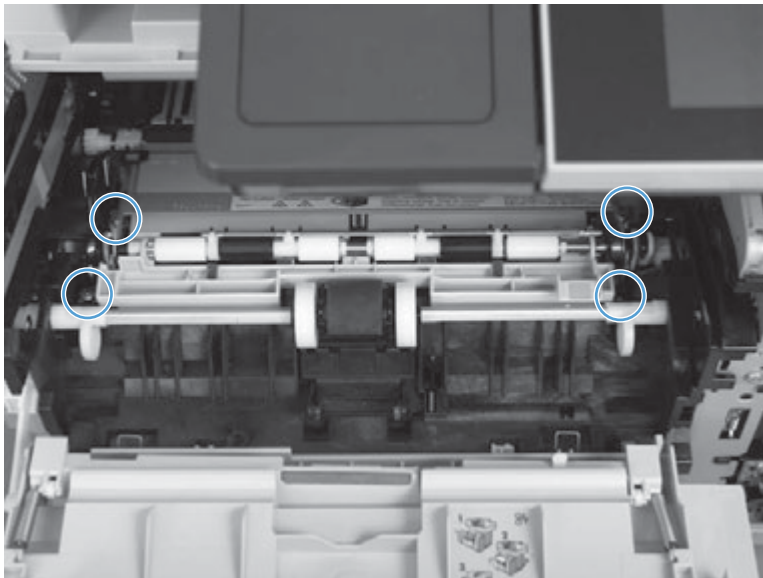
1. Before proceeding, remove the following components:
 - Rear cover assembly. See [Rear cover assembly on page 44](#).
 - Left cover. See [Left cover on page 48](#).
2. Unhook the clasp on the registration roller assembly gear (callout 1), and then slide the gear off of the shaft.

Figure 1-167 Remove the registration roller assembly (1 of 3)



3. Open the cartridge door, and then remove four screws.

Figure 1-168 Remove the registration roller assembly (2 of 3)



4. Lift the registration roller assembly out of the product, gear-end first.

Figure 1-169 Removing the registration roller assembly (3 of 3)

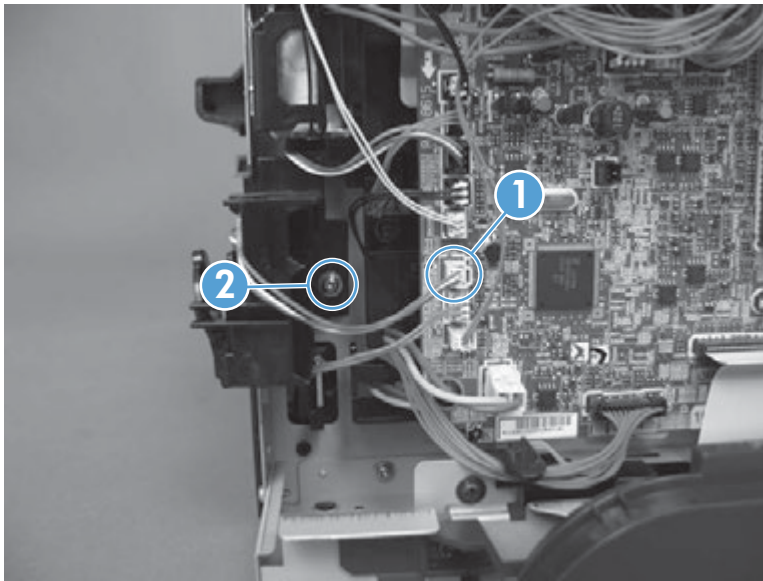


Power-switch assembly

⚠ WARNING!  ESD sensitive component.

1. Before proceeding, remove the following:
 - Formatter cover. See [Formatter cover on page 37](#).
 - Stapler cover or substitute stapler cover. See [Stapler cover on page 40](#) or [Substitute stapler cover on page 42](#).
 - Stapler assembly. See [Stapler assembly on page 43](#).
 - Rear cover assembly. See [Rear cover assembly on page 44](#).
 - Left cover. See [Left cover on page 48](#).
 - Tray 1 cover. See [Tray 1 cover on page 52](#).
 - Cartridge-door assembly. See [Cartridge-door assembly on page 54](#).
 - Right cover assembly. See [Right cover assembly on page 61](#).
2. Disconnect one connector (callout 1), remove one screw (callout 2), and then remove the power-switch assembly.

Figure 1-170 Remove the power-switch assembly (1 of 2)

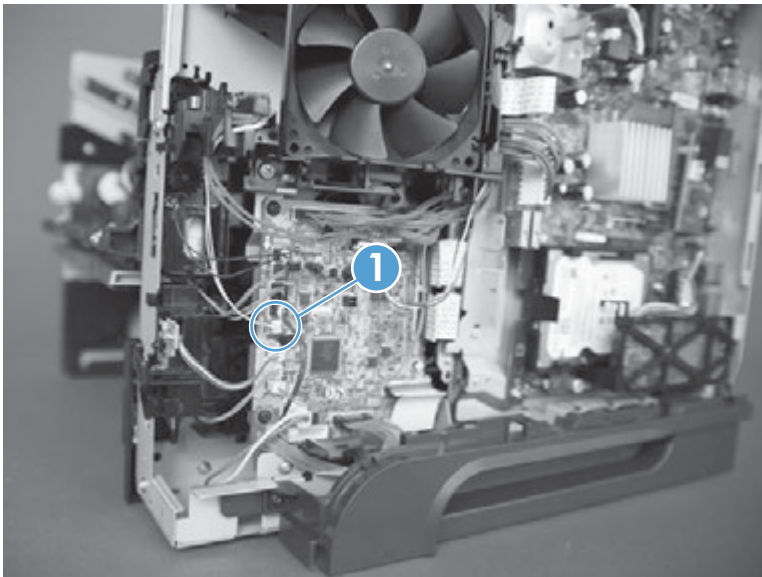


Interlock switch assembly

⚠ WARNING!  ESD sensitive component.

1. Before proceeding, remove the following:
 - Formatter cover. See [Formatter cover on page 37](#).
 - Stapler cover or substitute stapler cover. See [Stapler cover on page 40](#) or [Substitute stapler cover on page 42](#).
 - Stapler assembly. See [Stapler assembly on page 43](#).
 - Rear cover assembly. See [Rear cover assembly on page 44](#).
 - Left cover. See [Left cover on page 48](#).
 - Tray 1 cover. See [Tray 1 cover on page 52](#).
 - Cartridge-door assembly. See [Cartridge-door assembly on page 54](#).
 - Right cover assembly. See [Right cover assembly on page 61](#).
2. Disconnect one connector (callout 1).

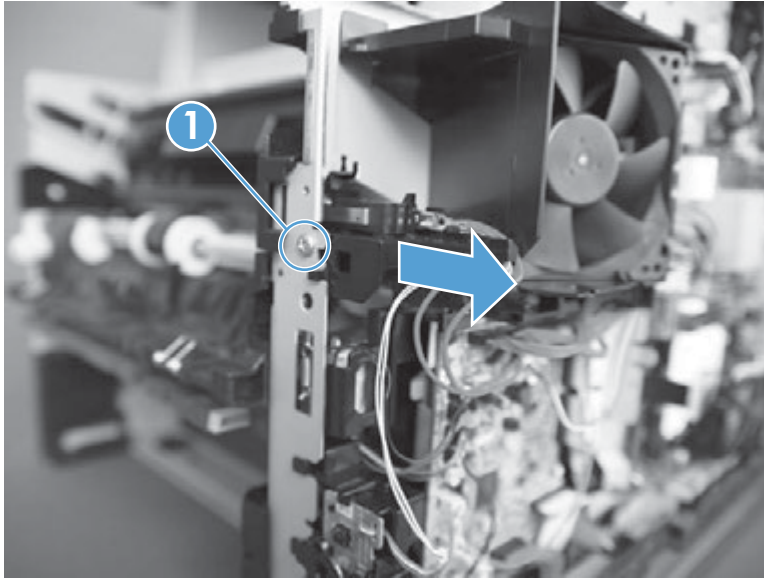
Figure 1-171 Remove the Interlock switch assembly (1 of 3)



3. Remove one screw (callout 1), and then carefully remove the interlock switch assembly.

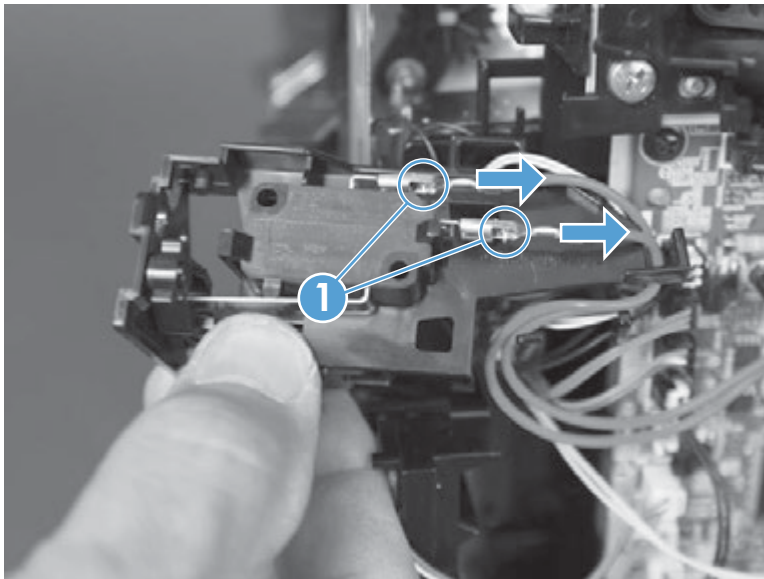
⚠ CAUTION: The interlock switch is still connected to the product by two wires.

Figure 1-172 Remove the Interlock switch assembly (2 of 3)



4. Release two tabs (callout 1), and then carefully remove two wire connectors.

Figure 1-173 Remove the Interlock switch assembly (3 of 3)

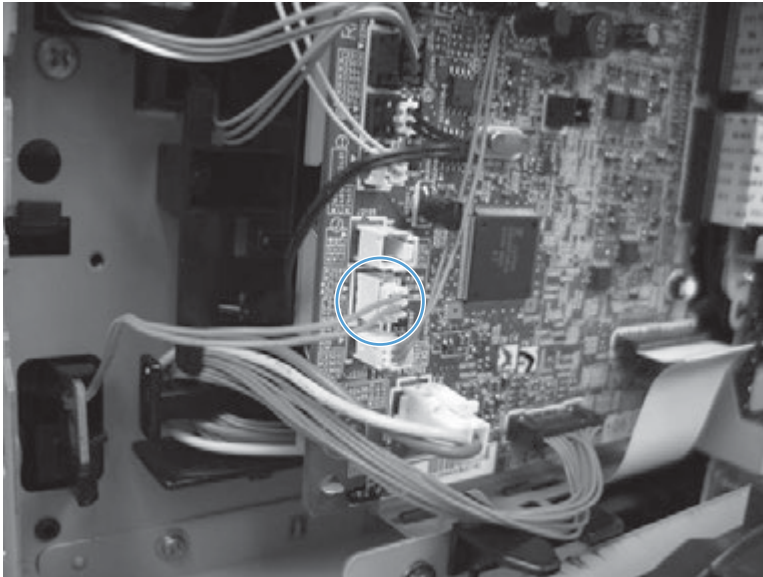


Tray sensor PCA

⚠ WARNING!  ESD sensitive component.

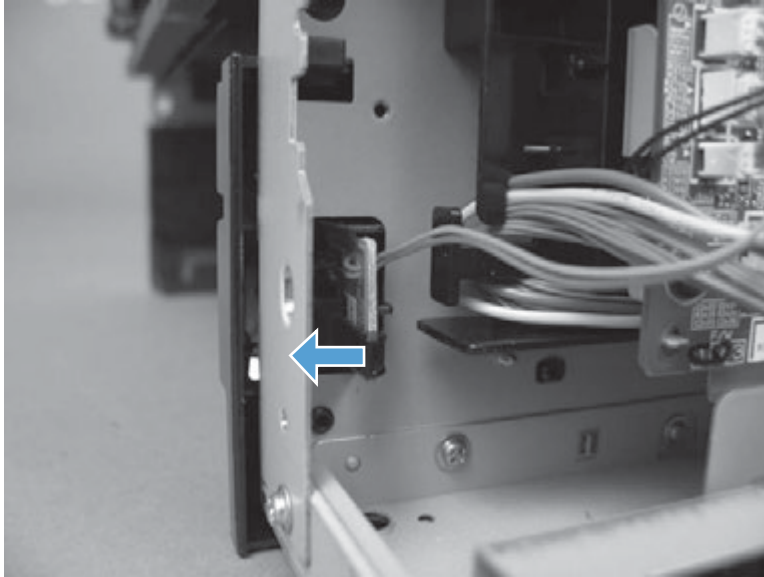
1. Before proceeding, remove the following:
 - Formatter cover. See [Formatter cover on page 37](#).
 - Stapler cover or substitute stapler cover. See [Stapler cover on page 40](#) or [Substitute stapler cover on page 42](#).
 - Stapler assembly. See [Stapler assembly on page 43](#).
 - Rear cover assembly. See [Rear cover assembly on page 44](#).
 - Left cover. See [Left cover on page 48](#).
 - Tray 1 cover. See [Tray 1 cover on page 52](#).
 - Cartridge-door assembly. See [Cartridge-door assembly on page 54](#).
 - Right cover assembly. See [Right cover assembly on page 61](#).
2. Disconnect one connector.

Figure 1-174 Remove the tray sensor PCA



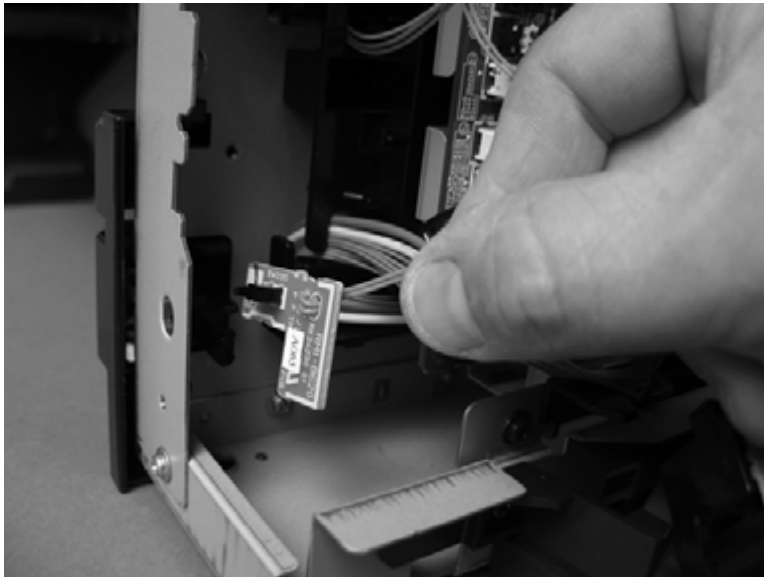
3. Release one tab.

Figure 1-175 Remove the tray sensor PCA



4. Remove the PCA.

Figure 1-176 Remove the tray sensor PCA

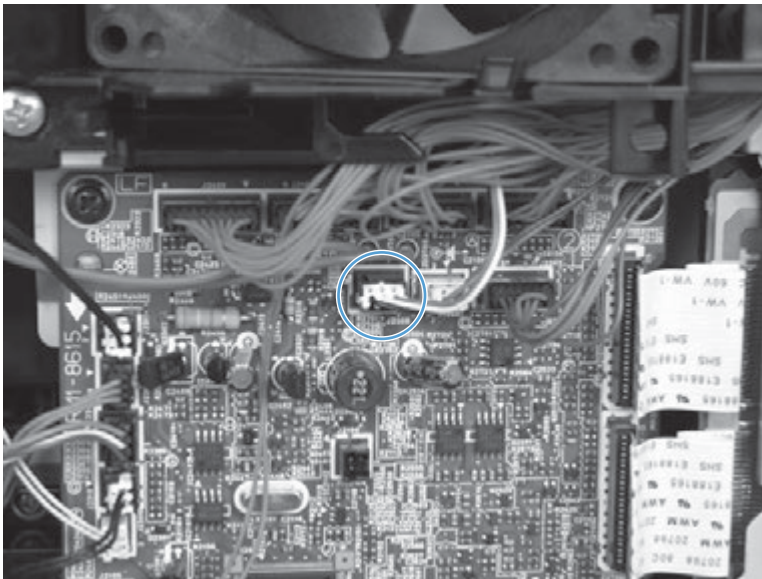


Main fan


⚠ WARNING!  ESD sensitive component.

1. Before proceeding, remove the following:
 - Formatter cover. See [Formatter cover on page 37](#).
 - Stapler cover or substitute stapler cover. See [Stapler cover on page 40](#) or [Substitute stapler cover on page 42](#).
 - Rear cover assembly. See [Rear cover assembly on page 44](#).
 - Left cover. See [Left cover on page 48](#).
 - Tray 1 cover. See [Tray 1 cover on page 52](#).
 - Cartridge-door assembly. See [Cartridge-door assembly on page 54](#).
 - Right cover assembly. See [Right cover assembly on page 61](#).
2. Disconnect one connector and then release the wire harnesses from the retainers.

Figure 1-177 Remove the main fan

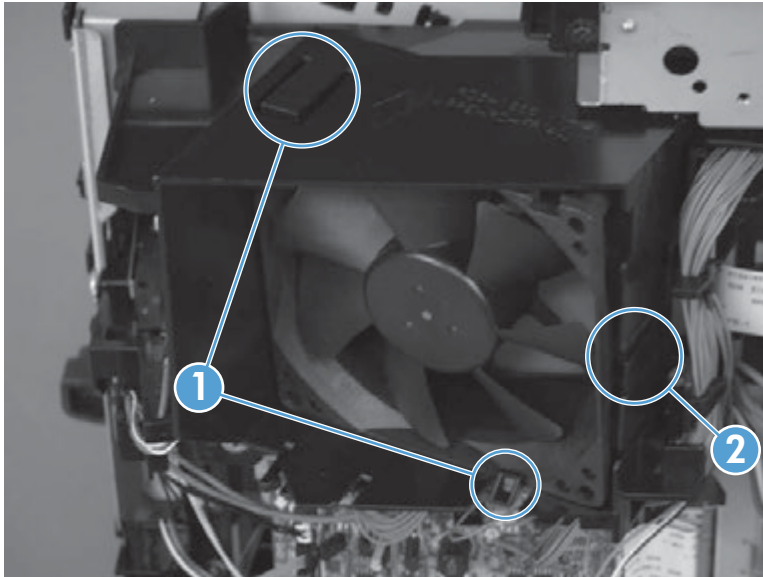


- 3. To remove the main fan only:** Release two tabs (callout 1), and then remove the main fan.

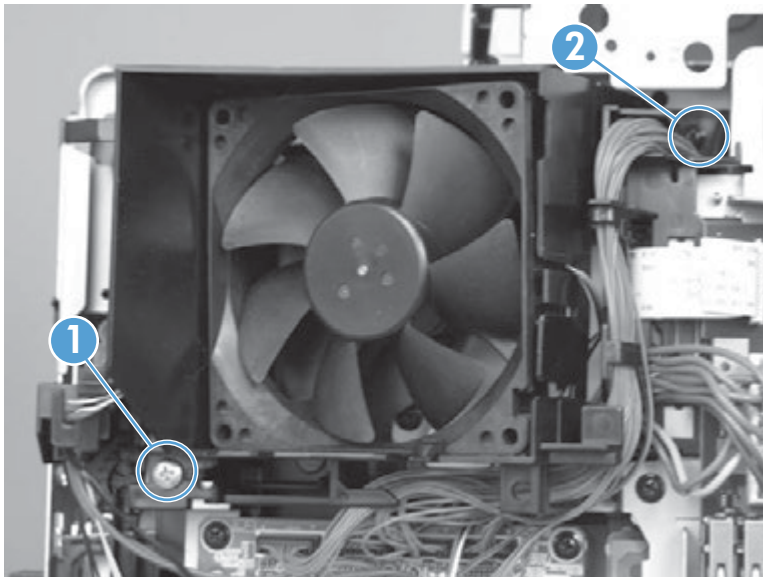
 **Reinstallation tip** A third tab (callout 2) cannot be engaged.

Reinstallation tip **If only the main fan was removed:** When the fan is reinstalled, the air must flow into the product. Make sure that the label side of the fan is toward the inside of the product when the fan is reinstalled.

Figure 1-178 Remove the main fan



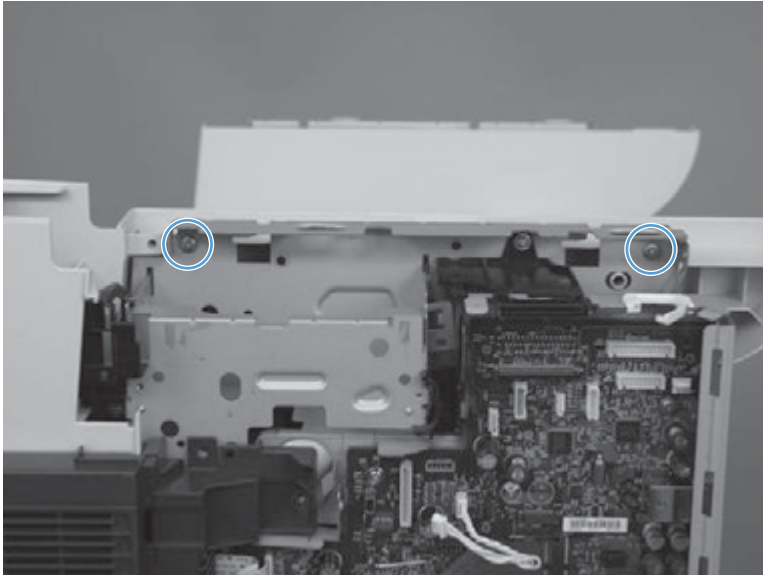
- 4. To remove the main fan and fan duct:** Remove one self-tapping screw (callout 1) and one metal screw (callout 2) and then remove the main fan and fan duct together.



Top cover

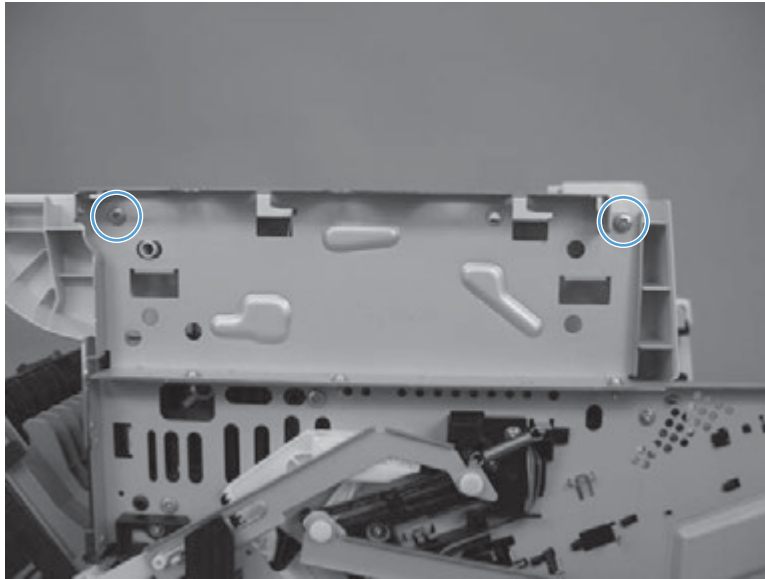
1. Before proceeding, remove the following:
 - Formatter cover. See [Formatter cover on page 37](#).
 - Stapler cover or substitute stapler cover. See [Stapler cover on page 40](#) or [Substitute stapler cover on page 42](#).
 - Stapler assembly. See [Stapler assembly on page 43](#).
 - Rear cover assembly. See [Rear cover assembly on page 44](#).
 - Left cover. See [Left cover on page 48](#).
 - Rear scanner cover. See [Rear scanner cover on page 56](#)
 - Image scanner whole unit kit. See [Image scanner whole unit kit on page 91](#).
2. From the right side of the product, remove two self-tapping screws.

Figure 1-179 Remove the top cover (1 of 4)



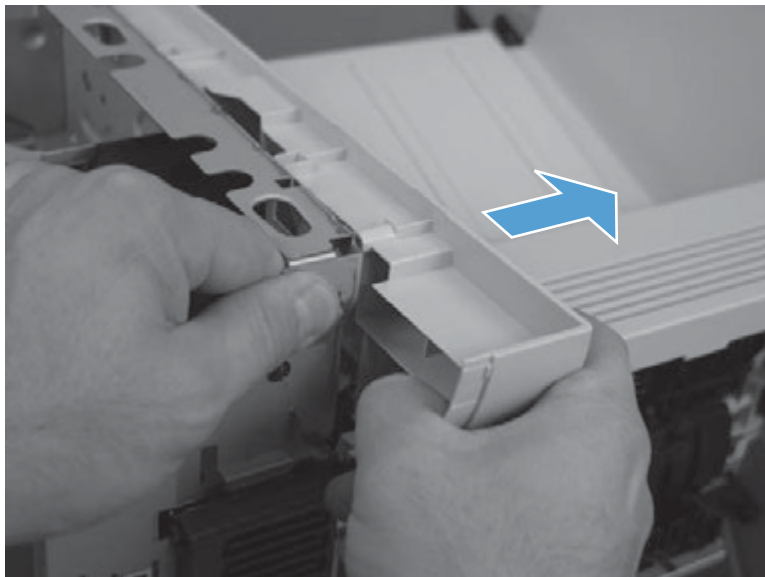
3. From the left side of the product, remove two self-tapping screws.

Figure 1-180 Remove the top cover (2 of 4)



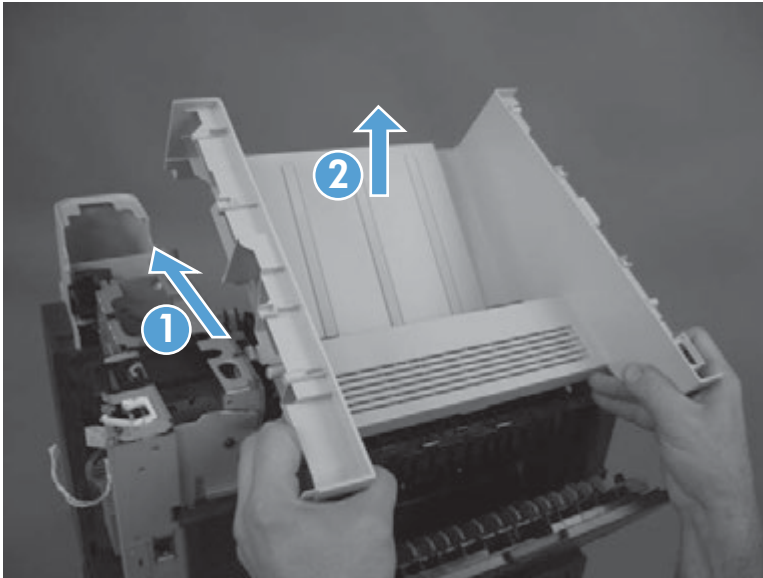
4. Separate each side of the top cover from the chassis.

Figure 1-181 Remove the top cover (3 of 4)



5. Slide cover toward the front of the product (callout 1) and then lift the front of the cover (callout 2) to remove.

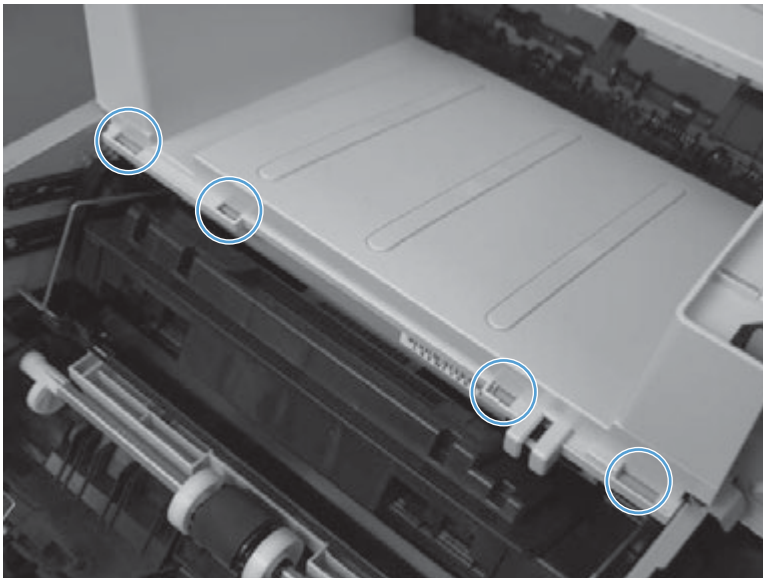
Figure 1-182 Remove the top cover (4 of 4)



Reinstall the top cover

- ▲ Make sure the tabs on the chassis are correctly inserted into the slots on the cover.

Figure 1-183 Reinstall the top cover

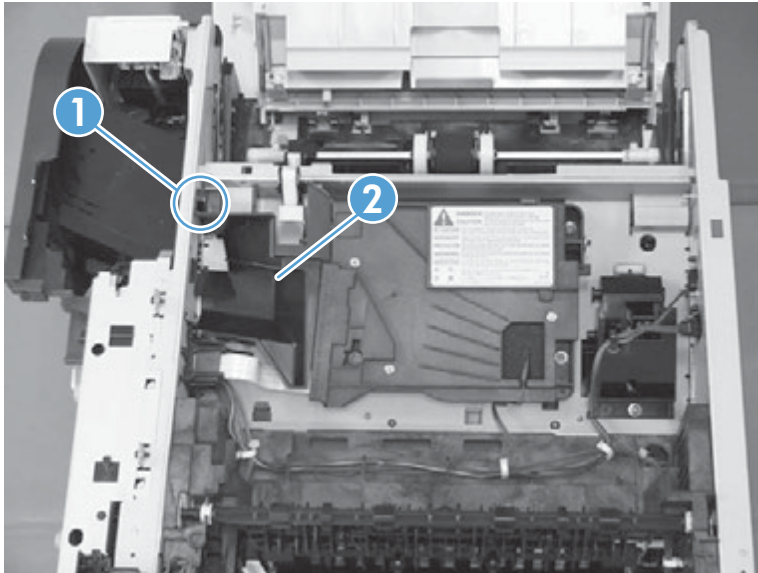


Laser scanner

⚠ WARNING!  ESD sensitive component.

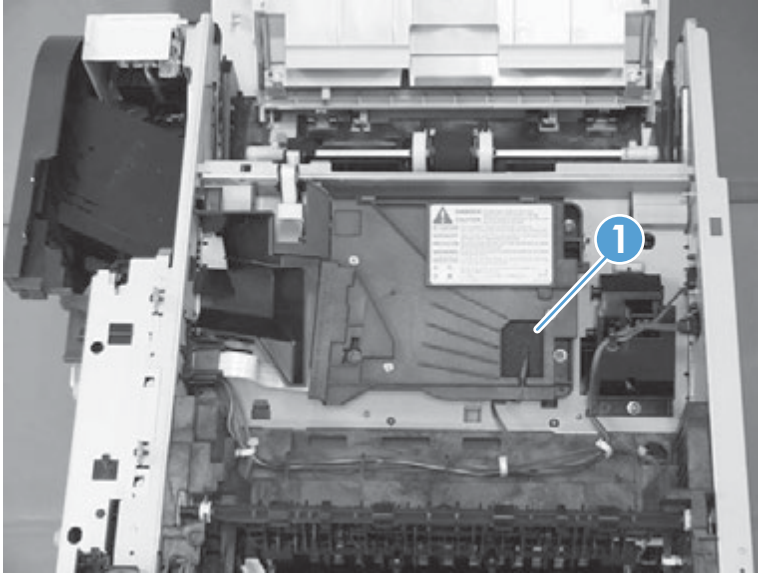
1. Before proceeding, remove the following:
 - Formatter cover. See [Formatter cover on page 37](#).
 - Stapler cover or substitute stapler cover. See [Stapler cover on page 40](#) or [Substitute stapler cover on page 42](#).
 - Stapler assembly. See [Stapler assembly on page 43](#).
 - Rear cover assembly. See [Rear cover assembly on page 44](#).
 - Left cover. See [Left cover on page 48](#).
 - Rear scanner cover. See [Rear scanner cover on page 56](#).
 - Image scanner whole unit kit. See [Image scanner whole unit kit on page 91](#).
 - Top cover. See [Top cover on page 120](#).
2. Release one tab (callout 1) on the air duct, and then lift the air duct (callout 2) out of the product.

Figure 1-184 Remove the laser scanner (1 of 5)



3. Remove the antistatic sponge (callout 1).

Figure 1-185 Remove the laser scanner (2 of 5)



4. Disconnect one connector (callout 1) and one FFC (callout 2).


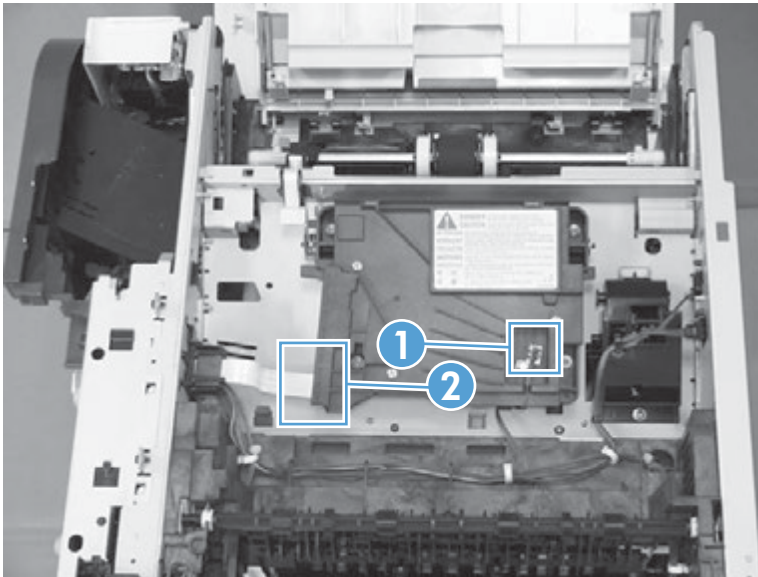
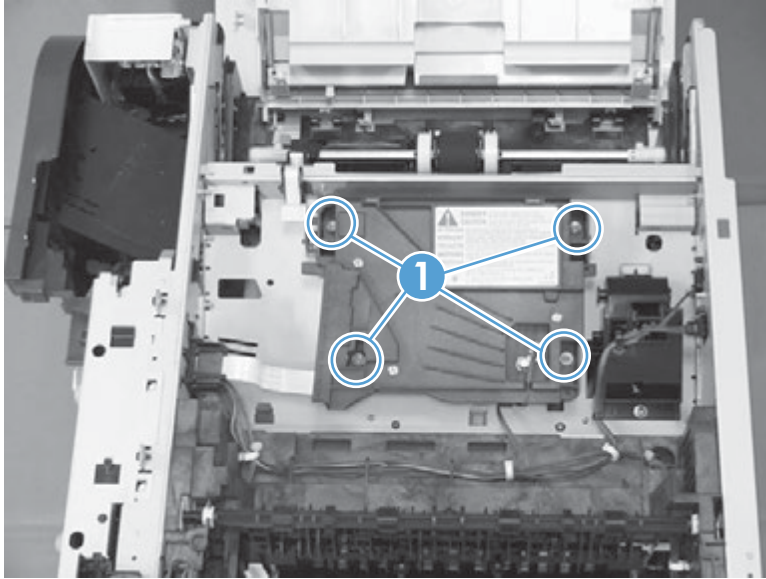
 **Reinstallation tip** Make sure that you correctly reconnect the FFC when the laser scanner is installed. If the FFC is not correctly reconnected, a **51.1 ERROR** will appear on the control-panel display.

Figure 1-186 Remove the laser scanner (3 of 5)



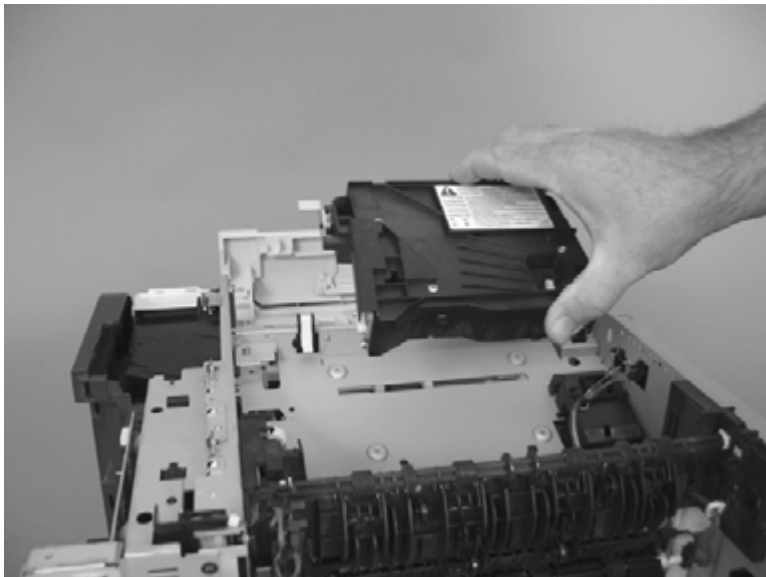
5. Remove four screws (callout 1).

Figure 1-187 Remove the laser scanner (4 of 5)



6. Lift the laser scanner up and out of the product.

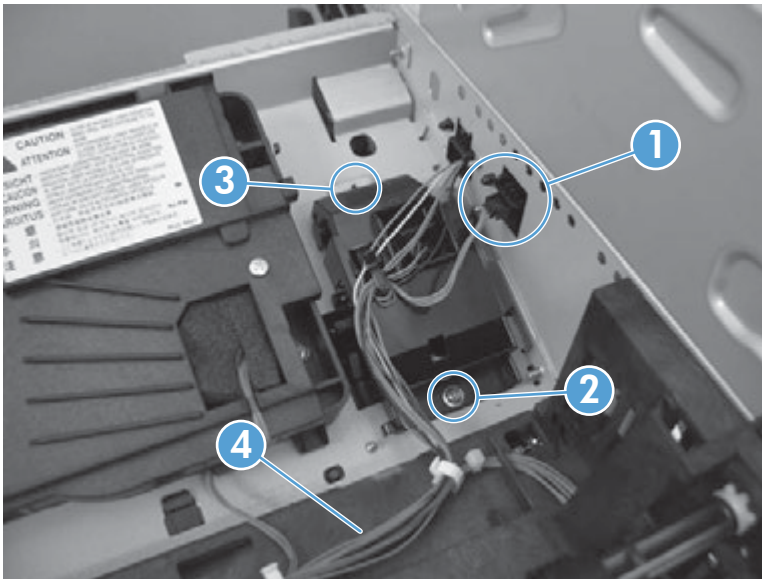
Figure 1-188 Remove the laser scanner (5 of 5)



Tag holder assembly

1. Before proceeding, remove the following:
 - Formatter cover. See [Formatter cover on page 37](#).
 - Stapler cover or substitute stapler cover. See [Stapler cover on page 40](#) or [Substitute stapler cover on page 42](#).
 - Stapler assembly. See [Stapler assembly on page 43](#).
 - Rear cover assembly. See [Rear cover assembly on page 44](#).
 - Left cover. See [Left cover on page 48](#).
 - Rear scanner cover. See [Rear scanner cover on page 56](#).
 - Image scanner whole unit kit. See [Image scanner whole unit kit on page 91](#).
 - Top cover. See [Top cover on page 120](#).
2. Disconnect one connector (callout 1), remove one screw (callout 2), and release one tab (callout 3). Release the wire harness (callout 4) from its holders and the DC controller, and then remove the tag holder assembly.


Figure 1-189 Remove the tag holder assembly



DC controller

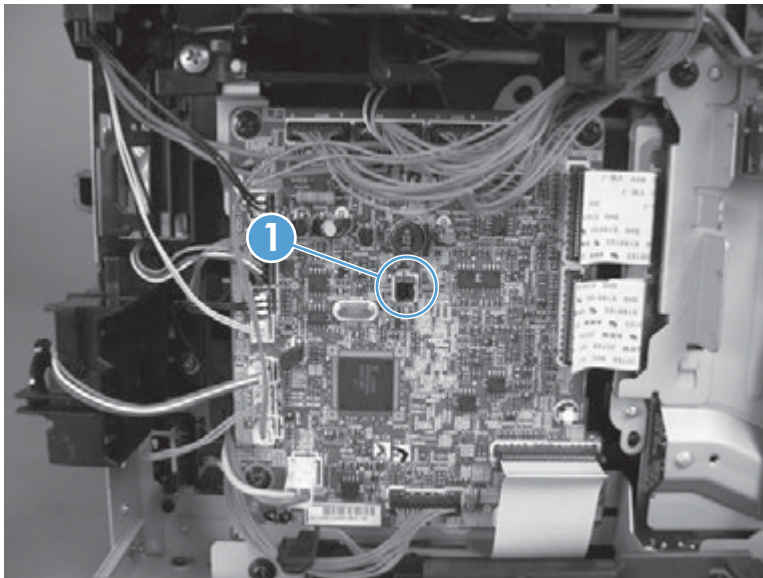
⚠ WARNING!  ESD sensitive component.

1. Before proceeding, remove the following:
 - Formatter cover. See [Formatter cover on page 37](#).
 - Stapler cover or substitute stapler cover. See [Stapler cover on page 40](#) or [Substitute stapler cover on page 42](#).
 - Stapler assembly. See [Stapler assembly on page 43](#).
 - Rear cover assembly. See [Rear cover assembly on page 44](#).
 - Left cover. See [Left cover on page 48](#).
 - Tray 1 cover. See [Tray 1 cover on page 52](#).
 - Cartridge-door assembly. See [Cartridge-door assembly on page 54](#).
 - Right cover assembly. See [Right cover assembly on page 61](#).
 - Right handle cover and bracket. See [Right handle cover and bracket on page 66](#).
2. Disconnect 17 connectors and three FFCs.

 **NOTE:** One connector (callout 1) remains empty.

 **NOTE:** To locate DC controller connector locations, see [DC controller connections on page 7](#).

Figure 1-190 Remove the DC controller (1 of 6)



3. Release two tabs, and then carefully remove two wire connectors from the interlock switch assembly.

 **TIP:** It might be easier to release these connectors by first removing the interlock switch. See [Interlock switch assembly on page 114](#).

Figure 1-191 Remove the DC controller (2 of 6)

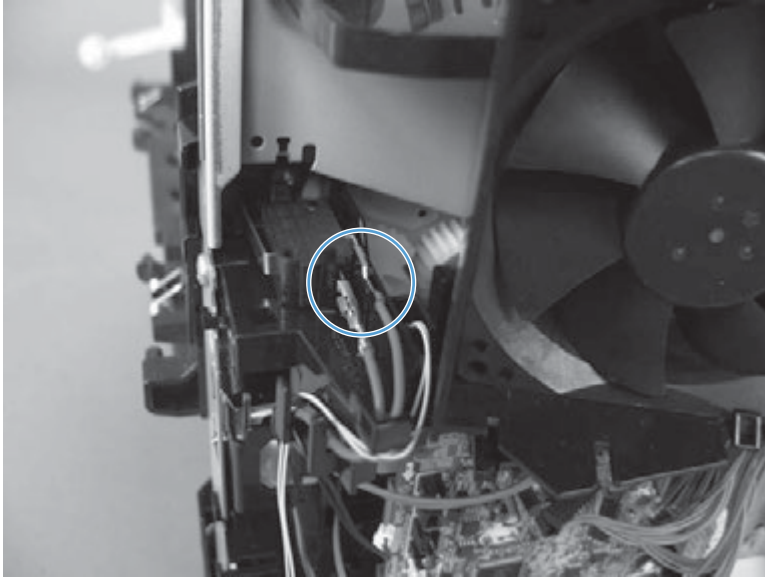
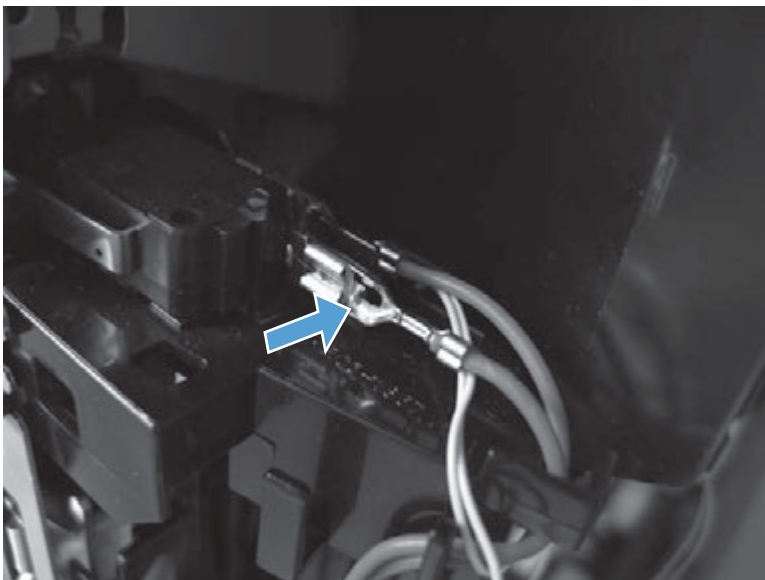
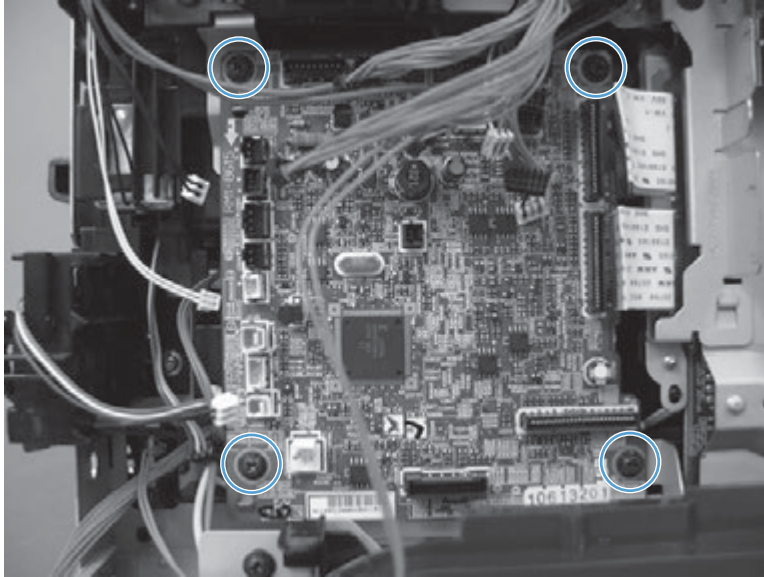


Figure 1-192 Remove the DC controller (3 of 6)



4. **DC controller only:** Remove four screws and then remove the PCA.

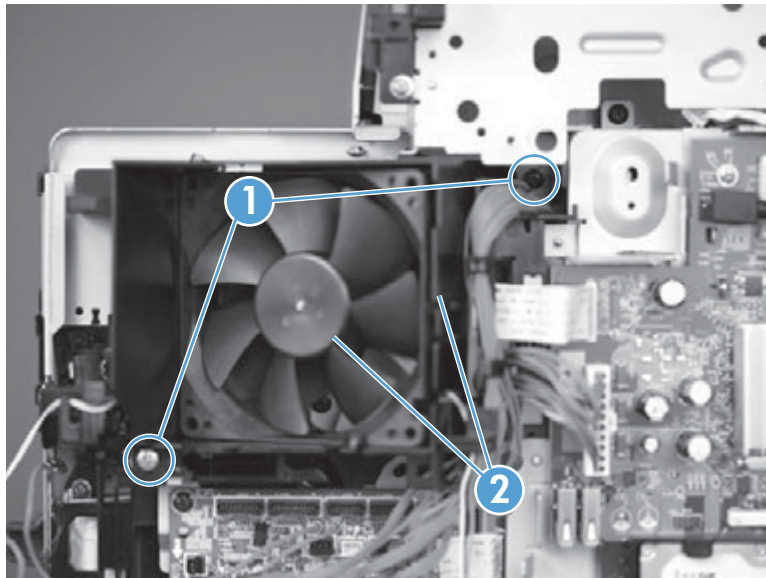
Figure 1-193 Remove the DC controller (4 of 6)



5. **DC controller and sheet-metal plate:** Do the following.

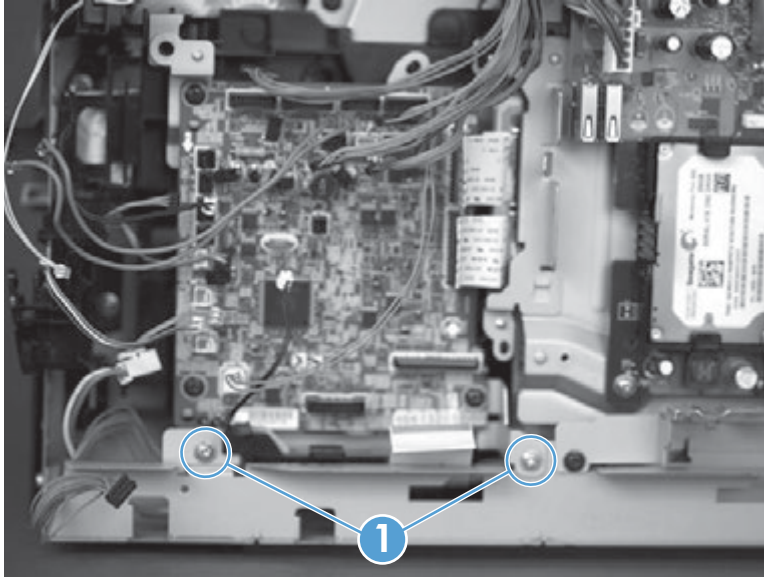
- a. Remove two screws (callout 1), and then remove the fan and duct assembly (callout 2).

Figure 1-194 Remove the DC controller (5 of 6)



- b. Remove two screws (callout 1), and then remove the PCA and sheet-metal plate.

Figure 1-195 Remove the DC controller (6 of 6)

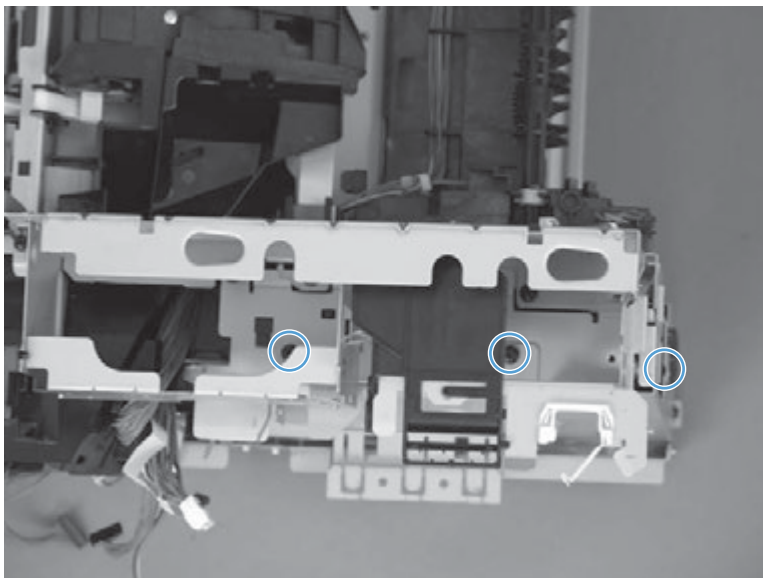


Low-voltage power supply (LVPS)

⚠ WARNING!  ESD sensitive component.

1. Before proceeding, remove the following:
 - Formatter cover. See [Formatter cover on page 37](#).
 - Formatter PCA. See [Formatter PCA on page 38](#).
 - Stapler cover or substitute stapler cover. See [Stapler cover on page 40](#) or [Substitute stapler cover on page 42](#).
 - Stapler assembly. See [Stapler assembly on page 43](#).
 - Rear cover assembly. See [Rear cover assembly on page 44](#).
 - Left cover. See [Left cover on page 48](#).
 - Right-rear cover. See [Right-rear cover on page 50](#).
 - Tray 1 cover. See [Tray 1 cover on page 52](#).
 - Cartridge-door assembly. See [Cartridge-door assembly on page 54](#).
 - Rear scanner cover. See [Rear scanner cover on page 56](#).
 - Right cover assembly. See [Right cover assembly on page 61](#).
 - Right handle cover and bracket. See [Right handle cover and bracket on page 66](#).
 - Image scanner whole unit kit. See [Image scanner whole unit kit on page 91](#).
 - Top cover. See [Top cover on page 120](#).
2. Remove three screws.

Figure 1-196 Remove the LVPS (1 of 10)



3. Remove one screw (callout 1), the wire harness holder (callout 2), and the sheet-metal bracket (callout 3).


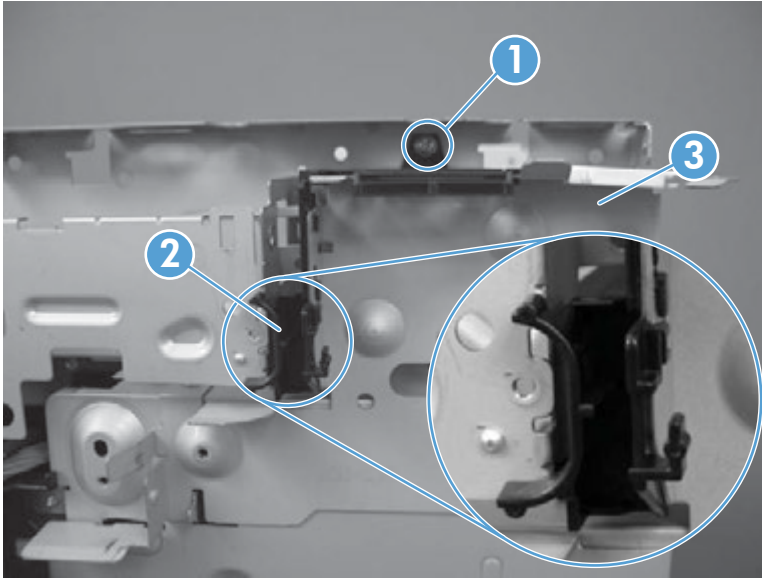
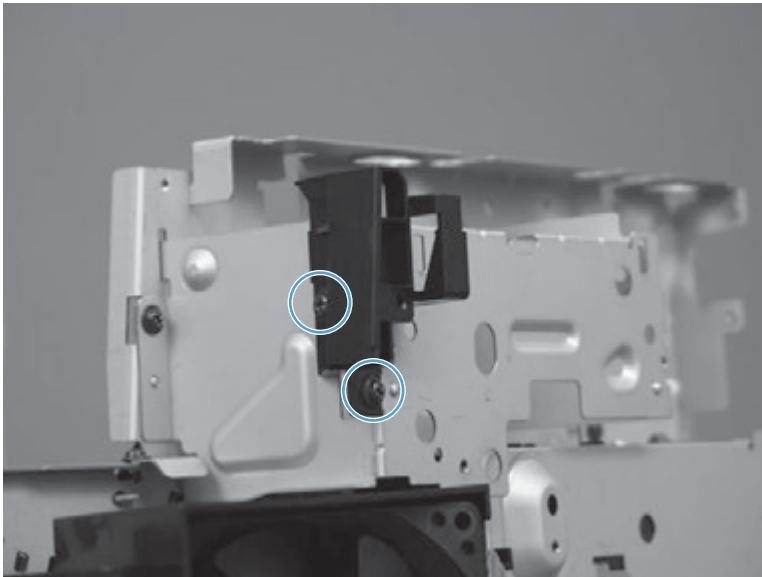
 **TIP:** If the wire harness holder (callout 2) becomes dislodged, replace it as shown below.

Figure 1-197 Remove the LVPS (2 of 10)



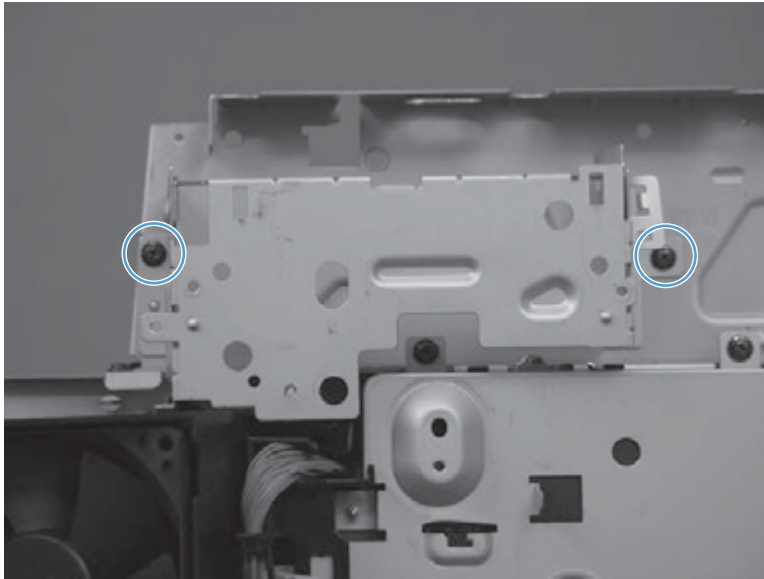
4. Remove two screws and the plastic retainer.

Figure 1-198 Remove the LVPS (3 of 10)



5. Remove two screws and the sheet metal bracket.

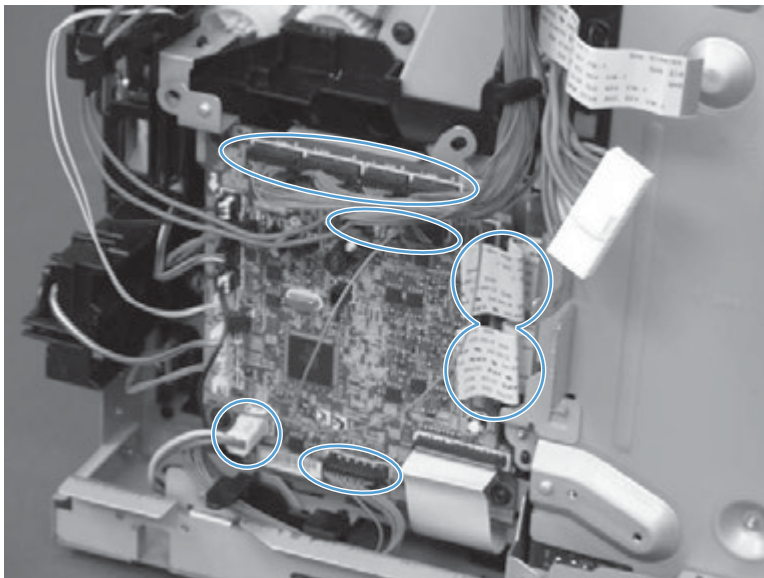
Figure 1-199 Remove the LVPS (4 of 10)



6. Remove the main fan. See [Main fan on page 118](#).
7. Disconnect eight connectors and two FFCs from the DC controller.

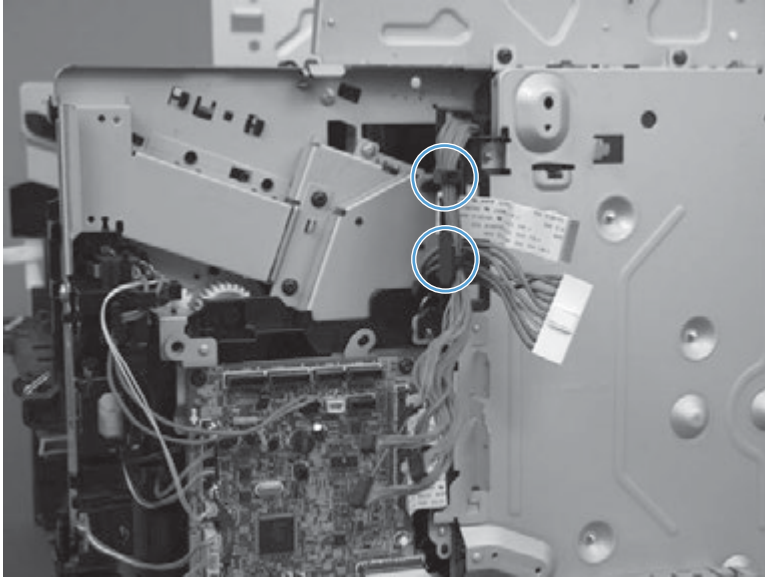
 **NOTE:** To locate DC controller connector locations, see [DC controller connections on page 7](#).

Figure 1-200 Remove the LVPS (5 of 10)



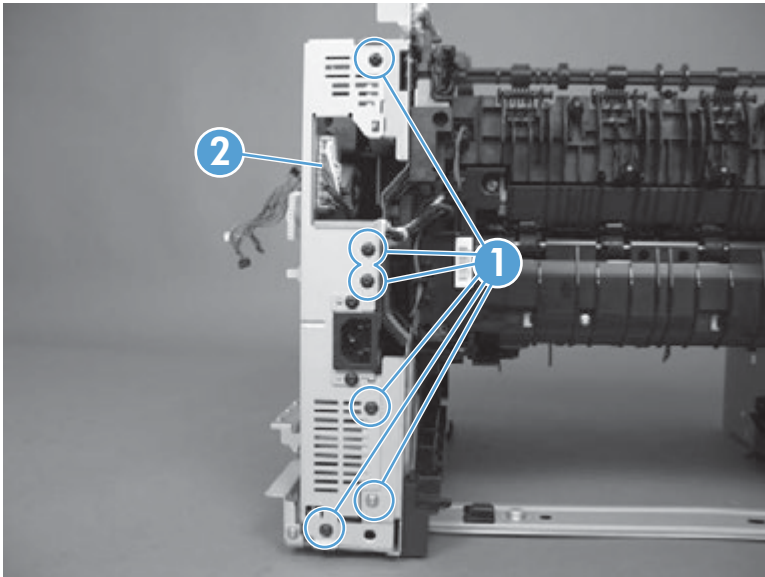
8. Release the wire harness from the holders.

Figure 1-201 Remove the LVPS (6 of 10)



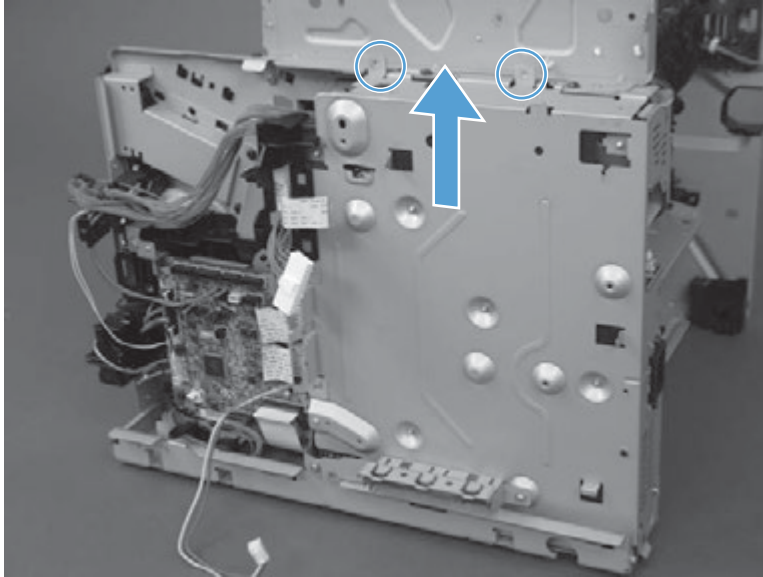
9. Remove six screws (callout 1) and disconnect one connector (callout 2).

Figure 1-202 Remove the LVPS (7 of 10)



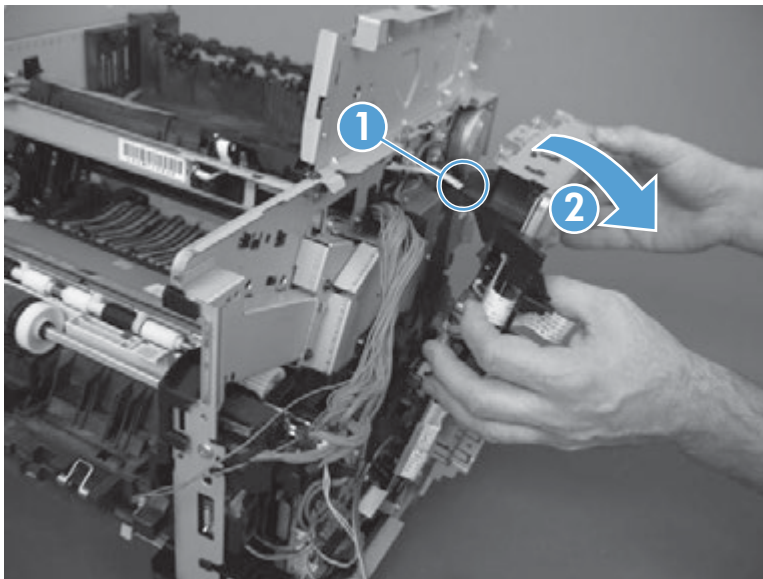
10. Lift the LVPS to clear two tabs.


Figure 1-203 Remove the LVPS (8 of 8)



11. Tip the LVPS away from the product (callout 1) and then disconnect one FFC (callout 2).

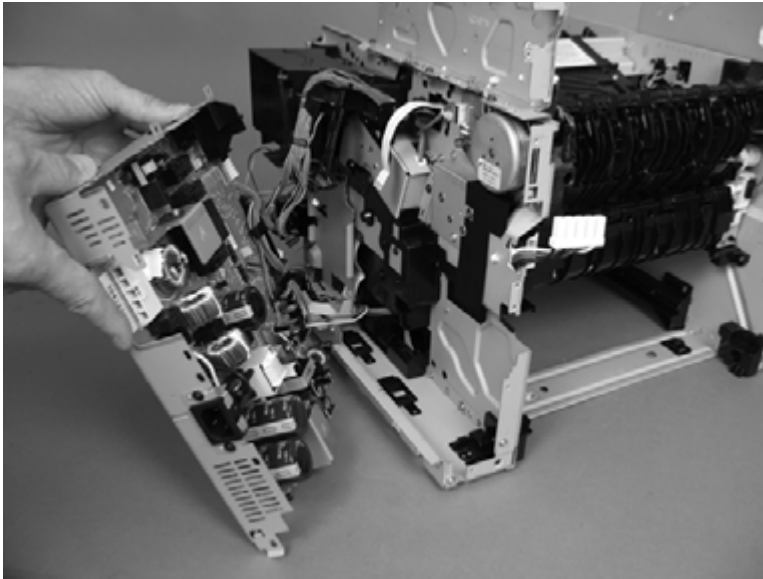
Figure 1-204 Remove the LVPS (9 of 10)



 **Reinstallation tip** Make sure to reconnect the FFC. A 51 error will occur if it is not connected.

12. Remove the LVPS.

Figure 1-205 Remove the LVPS (10 of 10)

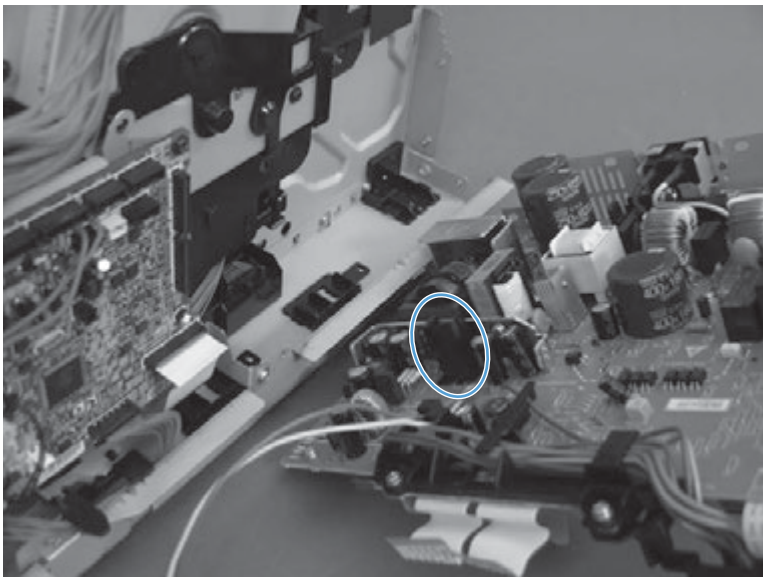


Reinstall the LVPS

- ▲ The black plastic cap can become dislodged when removing the LVPS. Reattach before reinstalling the assembly.

 **NOTE:** Be sure to reconnect the FFC. A 51 error will occur if it is not connected.

Figure 1-206 Reinstall the LVPS



Tray 2 paper pickup assembly

1. Before proceeding, remove the following:
 - Formatter cover. See [Formatter cover on page 37](#).
 - Stapler cover or substitute stapler cover. See [Stapler cover on page 40](#) or [Substitute stapler cover on page 42](#).
 - Stapler assembly. See [Stapler assembly on page 43](#).
 - Rear cover assembly. See [Rear cover assembly on page 44](#).
 - Left cover. See [Left cover on page 48](#).
 - Right-rear cover. See [Right-rear cover on page 50](#).
 - Tray 1 cover. See [Tray 1 cover on page 52](#).
 - Rear scanner cover. See [Rear scanner cover on page 56](#).
 - Right cover assembly. See [Right cover assembly on page 61](#).
 - Cartridge-door assembly. See [Cartridge-door assembly on page 54](#).
 - Right handle cover and bracket. See [Right handle cover and bracket on page 66](#).
 - Image scanner whole unit kit. See [Image scanner whole unit kit on page 91](#).
 - Duplex media-feed assembly. See [Duplex media-feed assembly on page 108](#).
 - Top cover. See [Top cover on page 120](#).
 - DC controller. See [DC controller on page 127](#).
 - Low-voltage power supply. See [Low-voltage power supply \(LVPS\) on page 131](#).

2. Turn the product on its side. Remove one screw (callout 1).


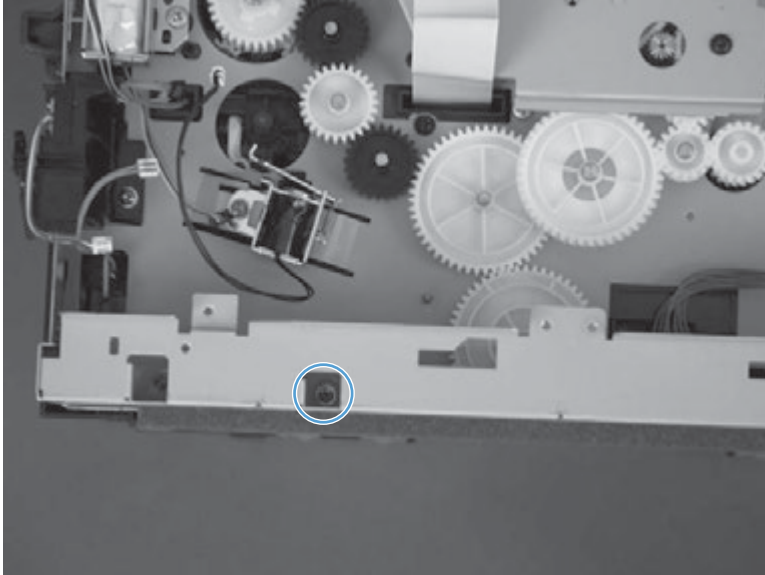
 **NOTE:** In this figure the gear cover is shown removed for clarity. Do not remove the gear cover yet. The gears behind the cover are not captive and can easily be dislodged if the cover is removed at this time.

Figure 1-207 Remove the Tray 2 paper pickup assembly (1 of 10)



3. Remove one screw (callout 1), and then remove the base plate (callout 2).


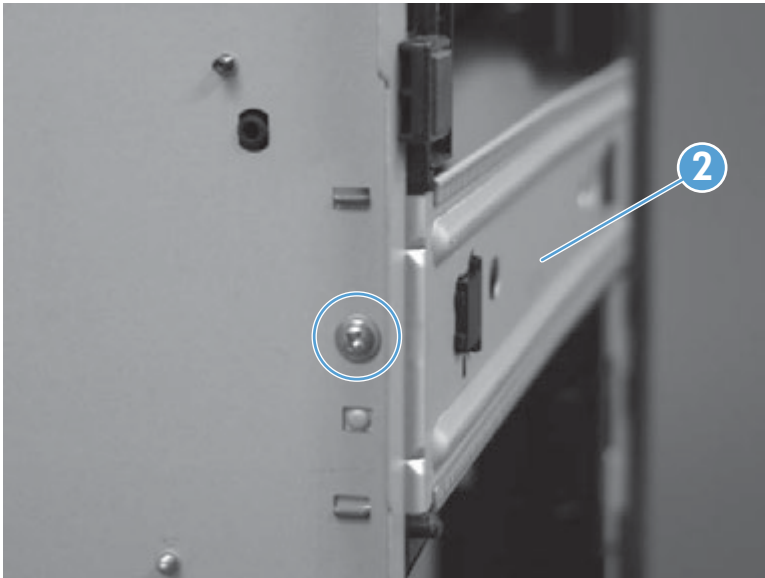
 **Reinstallation tip** Be sure to correctly align the base plate. It should match the base plate at the rear of the product.

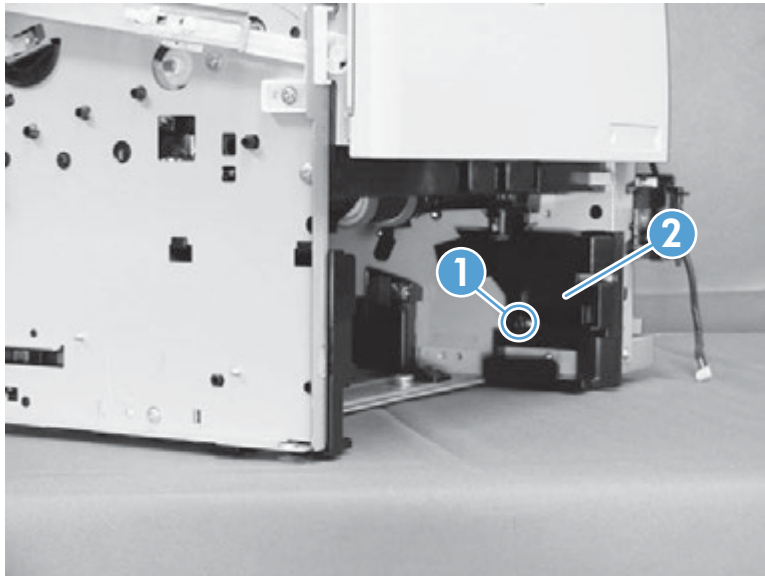
Figure 1-208 Remove the Tray 2 paper pickup assembly (2 of 10)



4. Remove one screw (callout 1), and then carefully remove the right-side guide (callout 2).

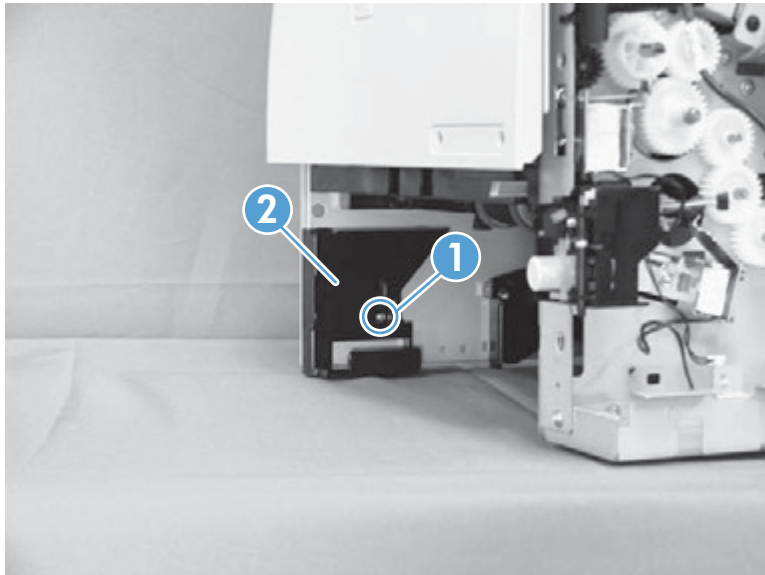
⚠ CAUTION: Remove carefully. The solenoid and cable remain attached to the guide during removal.

Figure 1-209 Remove the Tray 2 paper pickup assembly (3 of 10)



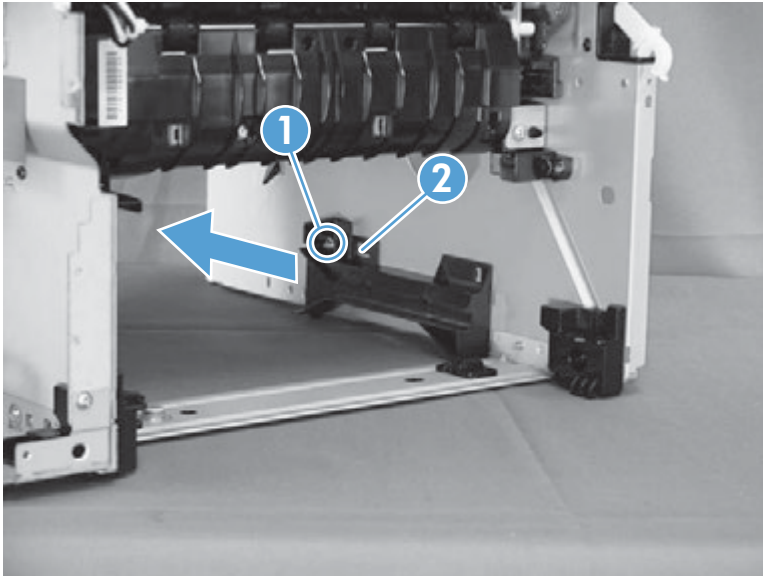
5. Remove one screw (callout 1), and then remove the left-side guide (callout 2).

Figure 1-210 Remove the Tray 2 paper pickup assembly (4 of 10)



6. Remove one screw (callout 1), release one tab (callout 2) and then slide the guide toward the front of the product to release it. Remove the guide.

Figure 1-211 Remove the Tray 2 paper pickup assembly (5 of 10)



7. Put the product on its side so that the gear cover faces up. Remove three screws (callout 1) and the gear cover.


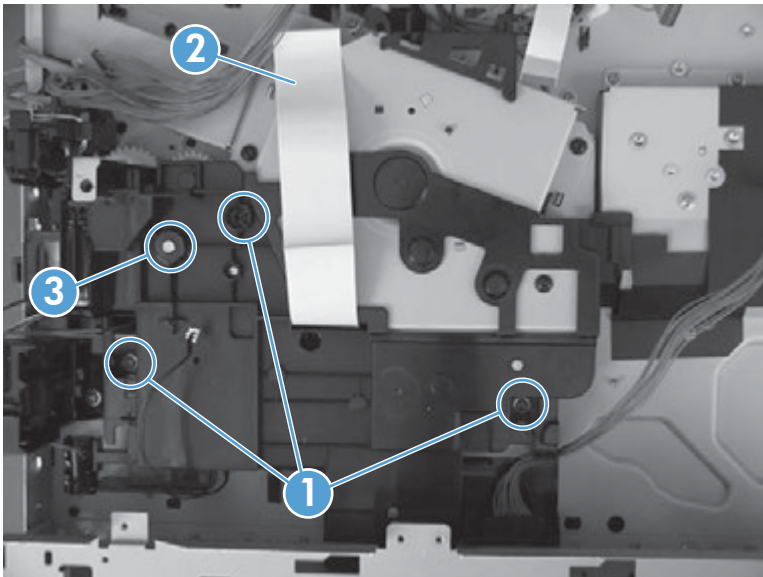
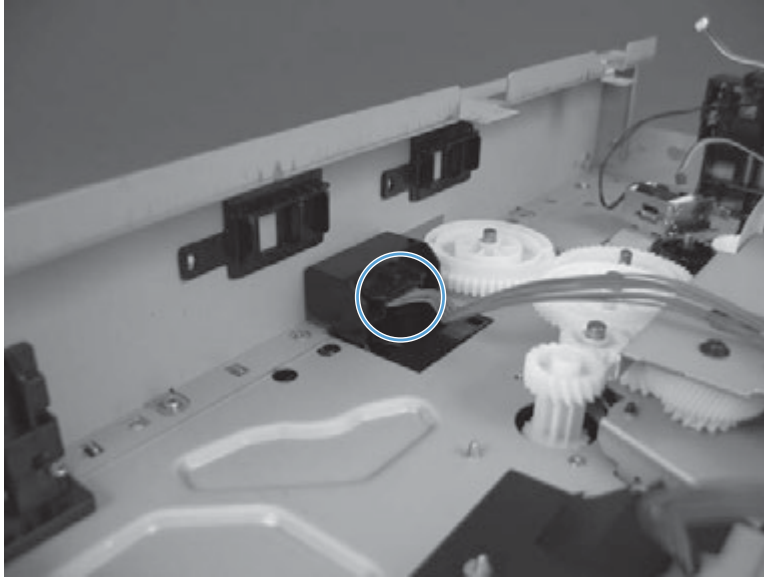
 **Reinstallation tip** Note the location of the rod (callout 3) and the FFC (callout 2) for reinstallation.

Figure 1-212 Remove the Tray 2 paper pickup assembly (6 of 10)



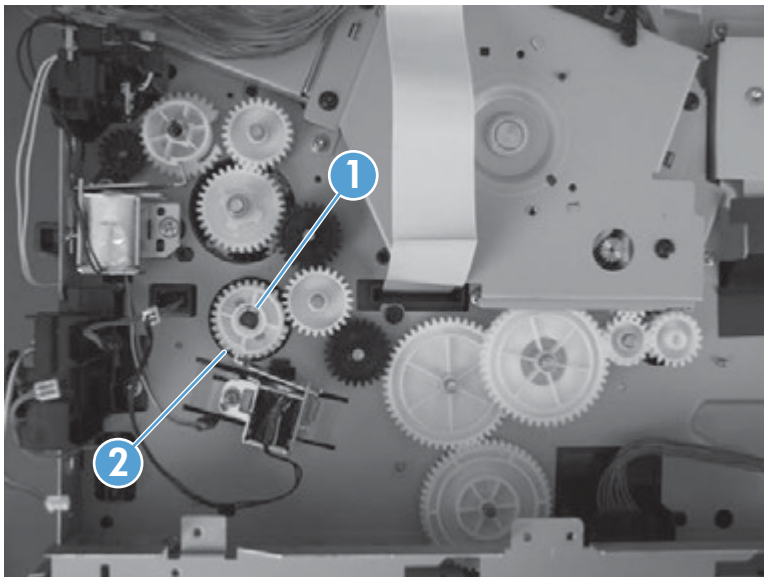
8. Disconnect one connector.

Figure 1-213 Remove the Tray 2 paper pickup assembly (7 of 10)



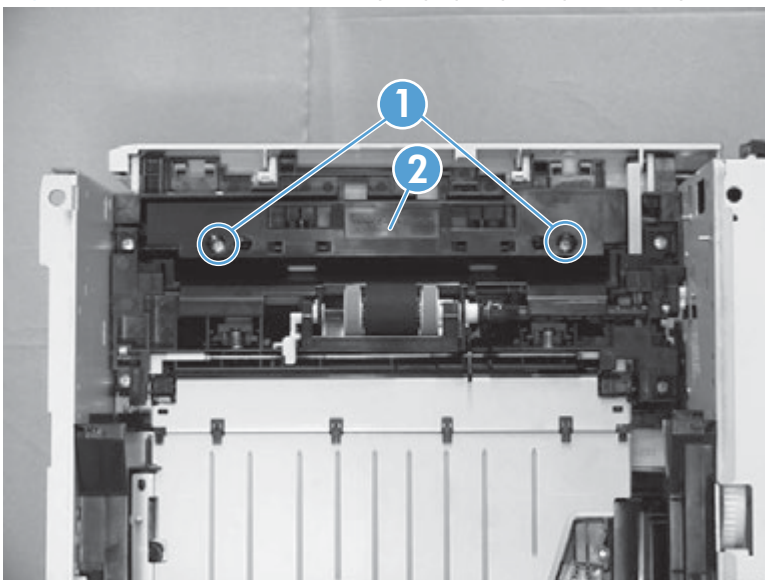
9. Release one tab (callout 1), and then remove one gear (callout 2).

Figure 1-214 Remove the Tray 2 paper pickup assembly (8 of 10)



10. Remove two screws (callout 1) and the idler roller assembly (callout 2).

Figure 1-215 Remove the Tray 2 paper pickup assembly (9 of 10)



11. Remove four screws and the Tray 2 paper pickup assembly. Rotate the left side of the assembly away from the product first and then remove the right.


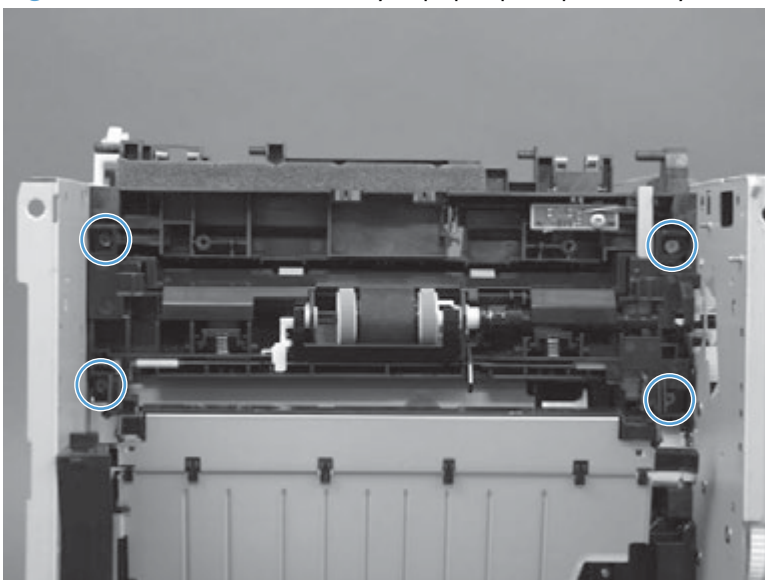
 **Reinstallation tip** Reinstall the right side of the assembly first and then install the left.

Figure 1-216 Remove the Tray 2 paper pickup assembly (10 of 10)



Tray 1 or Tray 2 pickup solenoid

1. Before proceeding, remove the following:
 - Formatter cover. See [Formatter cover on page 37](#).
 - Formatter PCA. See [Formatter PCA on page 38](#).
 - Stapler cover or substitute stapler cover. See [Stapler cover on page 40](#) or [Substitute stapler cover on page 42](#).
 - Stapler assembly. See [Stapler assembly on page 43](#).
 - Rear cover assembly. See [Rear cover assembly on page 44](#).
 - Left cover. See [Left cover on page 48](#).
 - Right-rear cover. See [Right-rear cover on page 50](#).
 - Tray 1 cover. See [Tray 1 cover on page 52](#).
 - Cartridge-door assembly. See [Cartridge-door assembly on page 54](#).
 - Rear scanner cover. See [Rear scanner cover on page 56](#).
 - Right cover assembly. See [Right cover assembly on page 61](#).
 - Right handle cover and bracket. See [Right handle cover and bracket on page 66](#).
 - Image scanner whole unit kit. See [Image scanner whole unit kit on page 91](#).
 - Top cover. See [Top cover on page 120](#).
 - DC controller. See [DC controller on page 127](#).
 - Low-voltage power supply. See [Low-voltage power supply \(LVPS\) on page 131](#).

- Carefully unwind the wire harness (callout 1) from the retainer on the gear cover (callout 2).


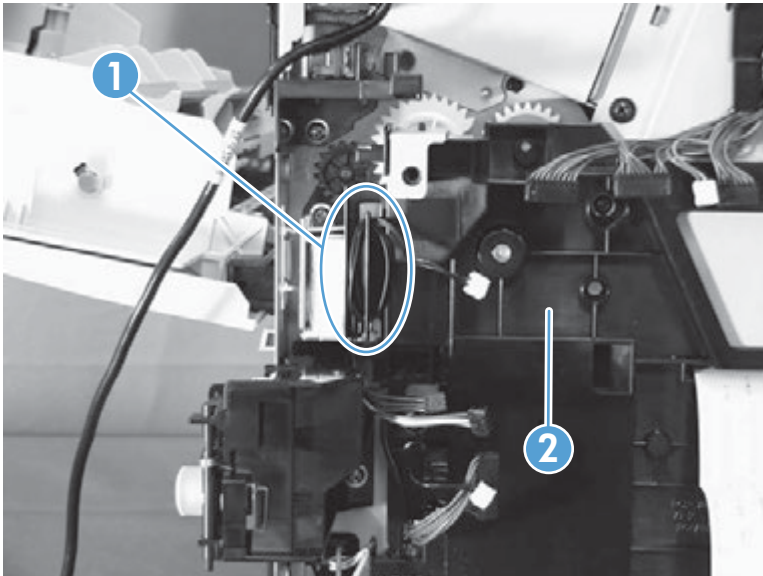
 **Reinstallation tip** When you reinstall the gear cover, make sure that you wrap the solenoid-wire harness around the retainer one and one-half times in a clockwise direction.

Figure 1-217 Tray 1 or Tray 2 pickup solenoid (2 of 4)



- Put the product on its side so that the gear cover faces up. Remove three screws (callout 1) and the gear cover.


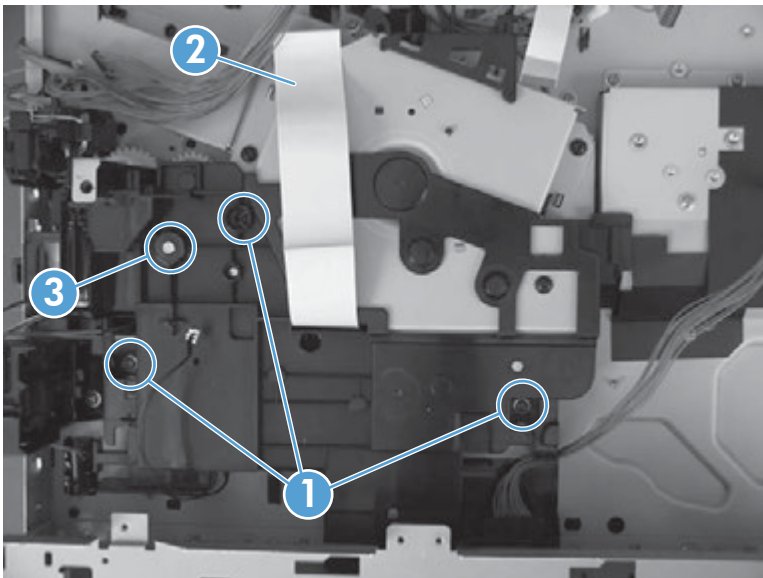
 **Reinstallation tip** Note the location of the rod (callout 3) and the FFC (callout 2) for reinstallation.

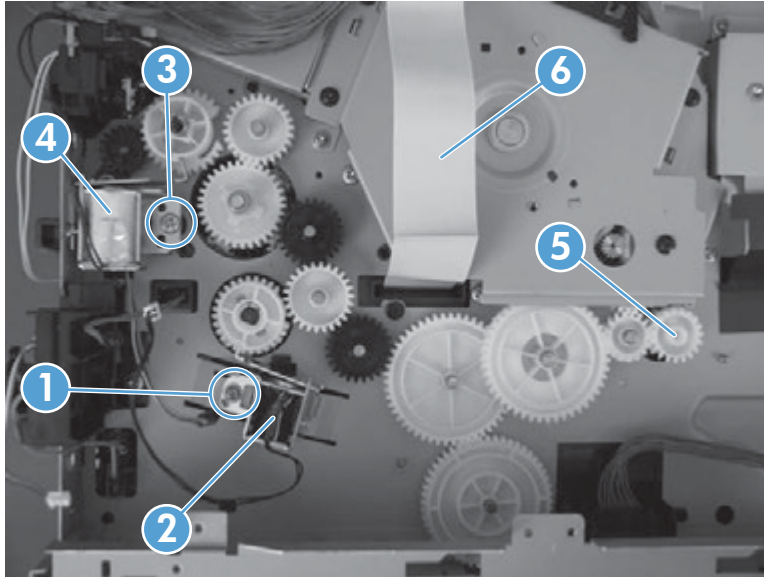
Figure 1-218 Tray 1 or Tray 2 pickup solenoid (3 of 4)



4. **For the Tray 2 pickup solenoid:** Remove one screw (callout 1), and then remove the solenoid (callout 2).

For the Tray 1 pickup solenoid: Remove one screw (callout 3), and then remove the solenoid (callout 4).

Figure 1-219 Tray 1 or Tray 2 pickup solenoid (3 of 3)



TIP: Thread the FFC (callout 6) through the gear cover when reinstalling and make sure to reinstall the gear (callout 5) if it becomes dislodged.

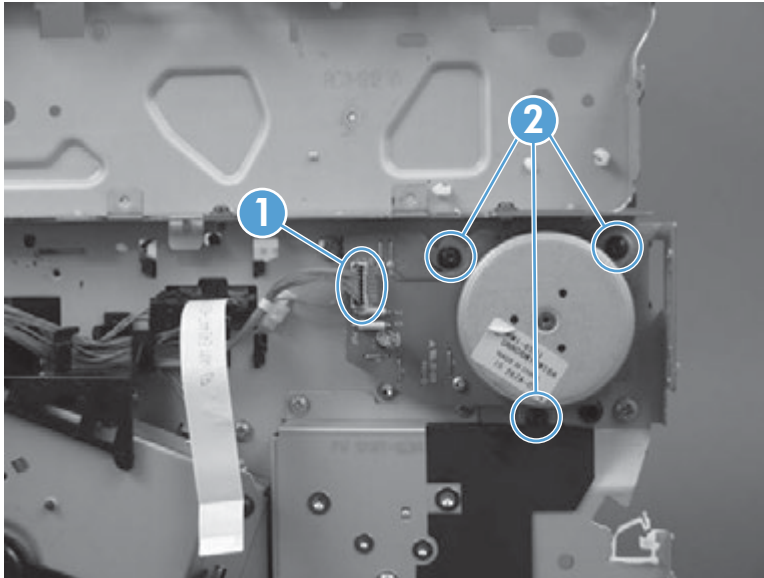
Fuser motor

 **WARNING!**  ESD sensitive component.

1. Before proceeding, remove the following:
 - Formatter cover. See [Formatter cover on page 37](#).
 - Formatter PCA. See [Formatter PCA on page 38](#).
 - Stapler cover or substitute stapler cover. See [Stapler cover on page 40](#) or [Substitute stapler cover on page 42](#).
 - Stapler assembly. See [Stapler assembly on page 43](#).
 - Rear cover assembly. See [Rear cover assembly on page 44](#).
 - Left cover. See [Left cover on page 48](#).
 - Right-rear cover. See [Right-rear cover on page 50](#).
 - Tray 1 cover. See [Tray 1 cover on page 52](#).
 - Cartridge-door assembly. See [Cartridge-door assembly on page 54](#).
 - Rear scanner cover. See [Rear scanner cover on page 56](#).
 - Right cover assembly. See [Right cover assembly on page 61](#).
 - Right handle cover and bracket. See [Right handle cover and bracket on page 66](#).
 - Image scanner whole unit kit. See [Image scanner whole unit kit on page 91](#).
 - Top cover. See [Top cover on page 120](#).
 - DC controller. See [DC controller on page 127](#).
 - Low-voltage power supply. See [Low-voltage power supply \(LVPS\) on page 131](#).

2. Disconnect one connector (callout 1), remove three screws (callout 2), and then remove the fuser motor.

Figure 1-220 Removing the fuser motor

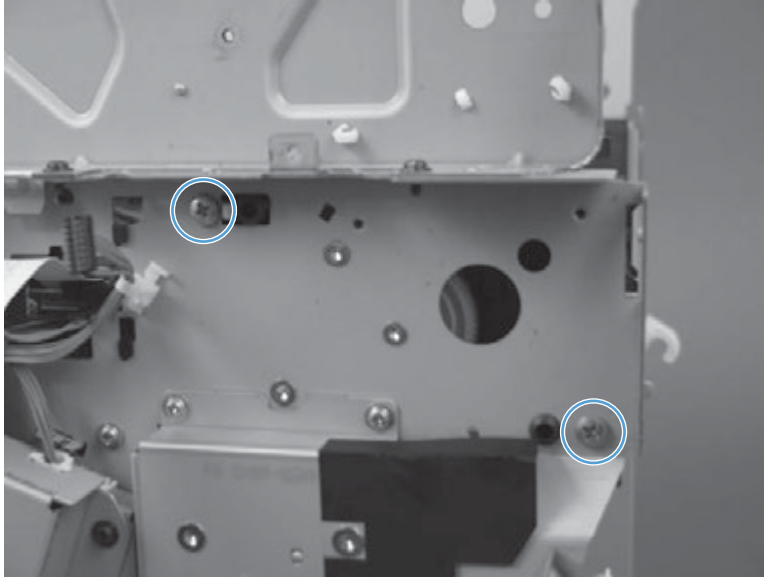


Pendulum assembly

1. Before proceeding, remove the following:
 - Formatter cover. See [Formatter cover on page 37](#).
 - Formatter PCA. See [Formatter PCA on page 38](#).
 - Stapler cover or substitute stapler cover. See [Stapler cover on page 40](#) or [Substitute stapler cover on page 42](#).
 - Stapler assembly. See [Stapler assembly on page 43](#).
 - Rear cover assembly. See [Rear cover assembly on page 44](#).
 - Left cover. See [Left cover on page 48](#).
 - Right-rear cover. See [Right-rear cover on page 50](#).
 - Tray 1 cover. See [Tray 1 cover on page 52](#).
 - Cartridge-door assembly. See [Cartridge-door assembly on page 54](#).
 - Rear scanner cover. See [Rear scanner cover on page 56](#).
 - Right cover assembly. See [Right cover assembly on page 61](#).
 - Right handle cover and bracket. See [Right handle cover and bracket on page 66](#).
 - Image scanner whole unit kit. See [Image scanner whole unit kit on page 91](#).
 - Top cover. See [Top cover on page 120](#).
 - DC controller. See [DC controller on page 127](#).
 - Low-voltage power supply. See [Low-voltage power supply \(LVPS\) on page 131](#).
 - Fuser motor. See [Fuser motor on page 146](#).

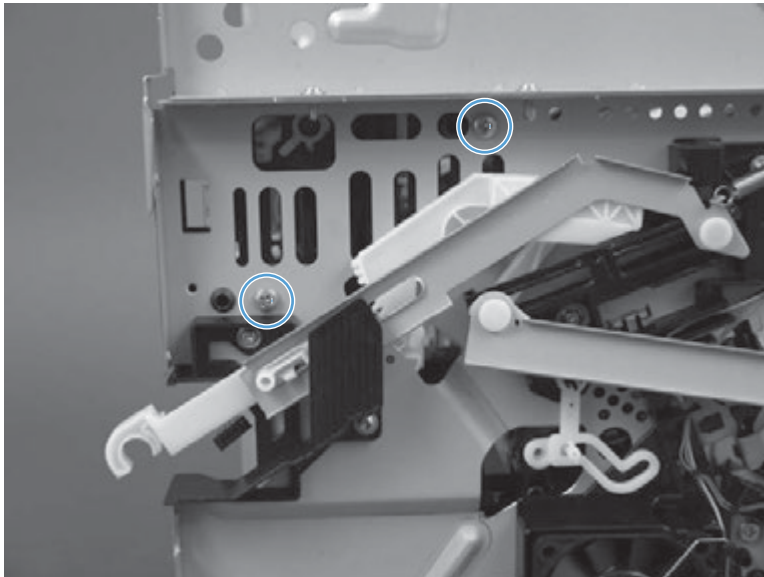
2. On the right side of the product, remove two screws.

Figure 1-221 Remove the pendulum assembly



3. On the left side of the product, remove two screws.

Figure 1-222 Remove the pendulum assembly



4. Release four wire harness holders from the chassis and then rotate the output bin roller assembly up to expose the pendulum assembly.


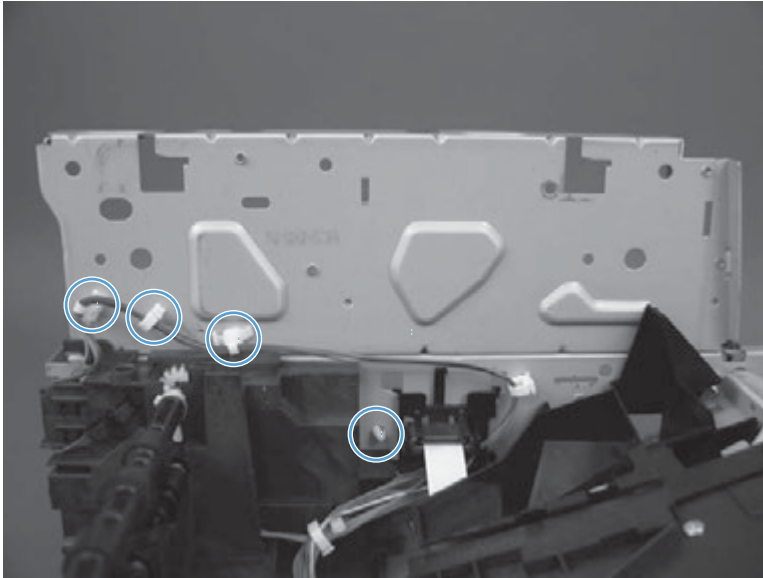
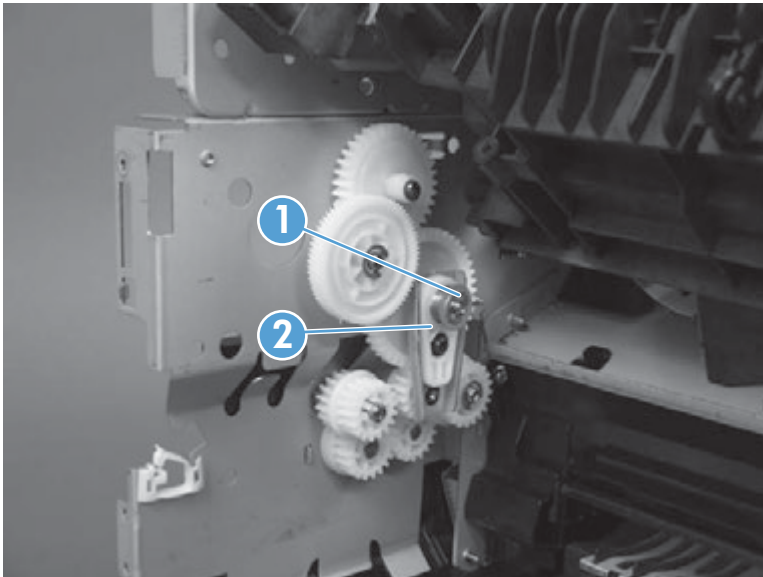
 **TIP:** Use needle nose pliers to release the wire harness holders.

Figure 1-223 Remove the pendulum assembly



5. Remove one e-clip (callout 1) and the assembly (callout 2).

Figure 1-224 Remove the pendulum assembly

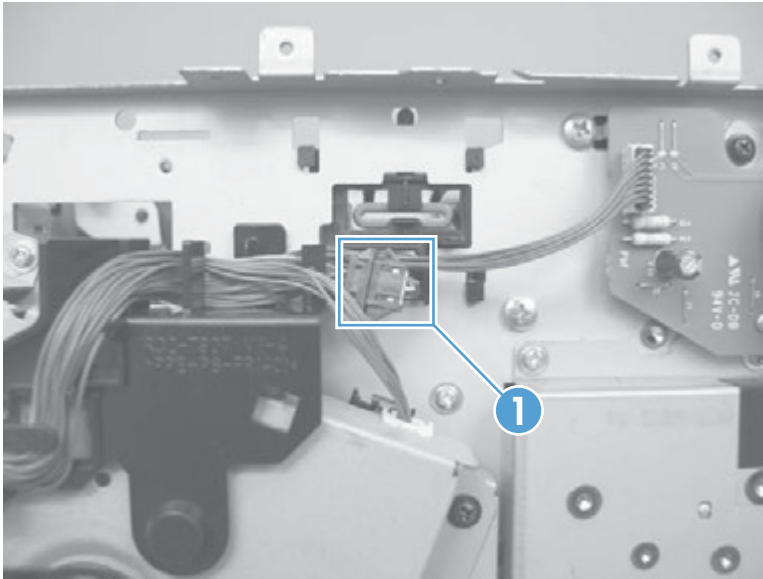


Sub fan and fan duct

1. Before proceeding, remove the following:
 - Formatter cover. See [Formatter cover on page 37](#).
 - Formatter PCA. See [Formatter PCA on page 38](#).
 - Stapler cover or substitute stapler cover. See [Stapler cover on page 40](#) or [Substitute stapler cover on page 42](#).
 - Stapler assembly. See [Stapler assembly on page 43](#).
 - Rear cover assembly. See [Rear cover assembly on page 44](#).
 - Left cover. See [Left cover on page 48](#).
 - Right-rear cover. See [Right-rear cover on page 50](#).
 - Tray 1 cover. See [Tray 1 cover on page 52](#).
 - Cartridge-door assembly. See [Cartridge-door assembly on page 54](#).
 - Rear scanner cover. See [Rear scanner cover on page 56](#).
 - Right cover assembly. See [Right cover assembly on page 61](#).
 - Right handle cover and bracket. See [Right handle cover and bracket on page 66](#).
 - Image scanner whole unit kit. See [Image scanner whole unit kit on page 91](#).
 - Top cover. See [Top cover on page 120](#).
 - DC controller. See [DC controller on page 127](#).
 - Low-voltage power supply. See [Low-voltage power supply \(LVPS\) on page 131](#).

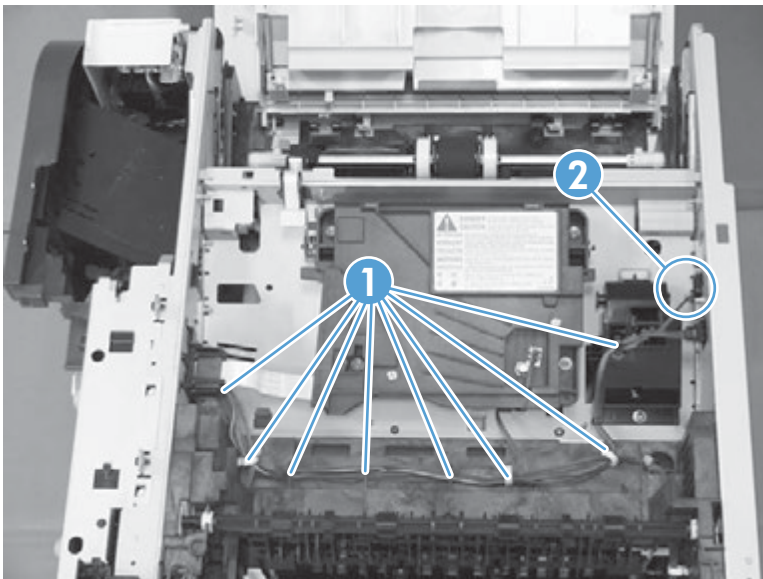
2. Disconnect one connector (callout 1).

Figure 1-225 Removing the sub fan and fan duct (1 of 5)



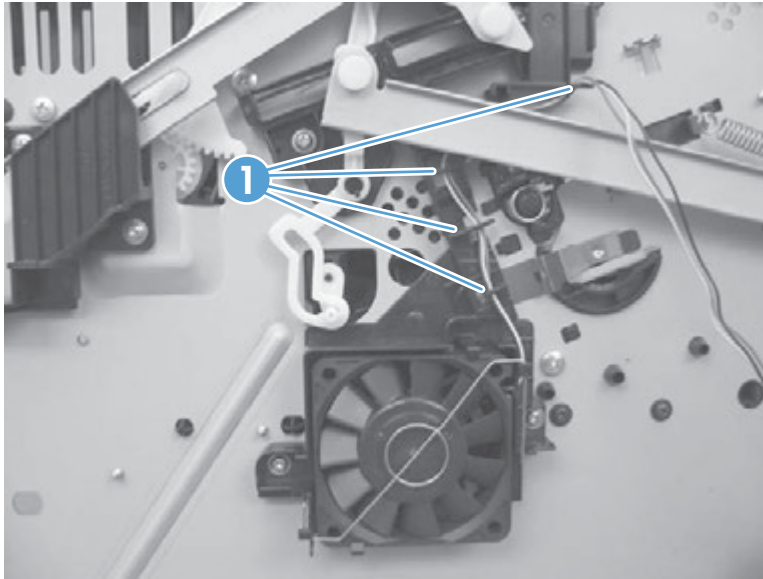
3. Release the wire harness from the retainers (callout 1), and then feed the wire harness through the opening in the chassis (callout 2).

Figure 1-226 Removing the sub fan and fan duct (2 of 5)



4. Release the wire harness from the retainers (callout 1).

Figure 1-227 Removing the sub fan and fan duct (3 of 5)



5. **To remove the fan and duct:** Remove two screws (callout 1), and then carefully remove the fan and duct.


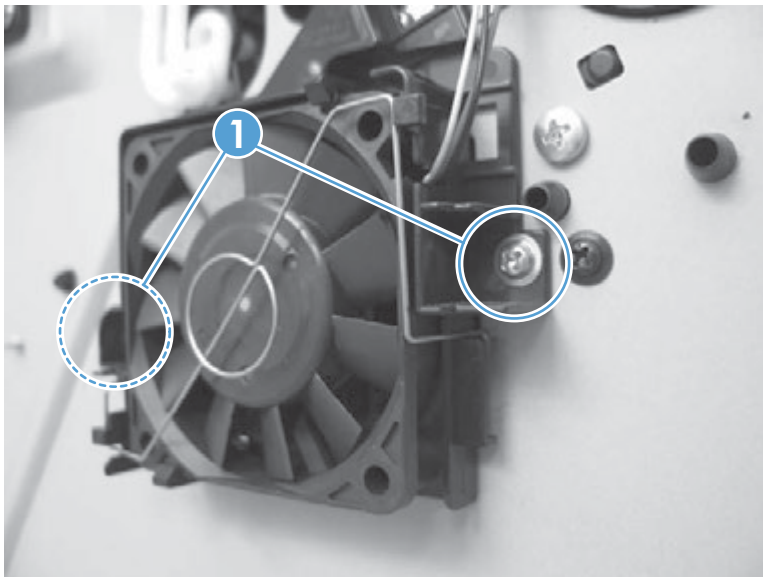
 **NOTE:** If necessary, release the metal static clip, release two tabs and separate the fan from the duct.

Figure 1-228 Remove the sub fan and fan duct (4 of 5)



6. **To remove the fan only:** Release the metal static clip, release two tabs (callout 1), and then remove the sub fan.


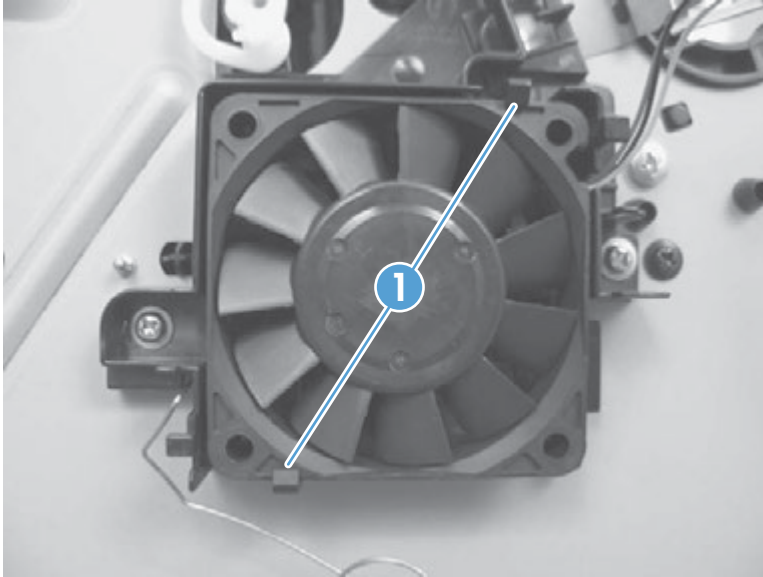
 **Reinstallation tip** If you install a replacement sub fan, the air must flow into the product. Arrows embossed on the fan frame indicate air flow direction.

Figure 1-229 Remove the sub fan and fan duct (5 of 5)



Reinstall the sub fan

- ▲ Make sure to correctly reinstall the metal static clip.

Figure 1-230 Reinstall the sub fan (1 of 2)

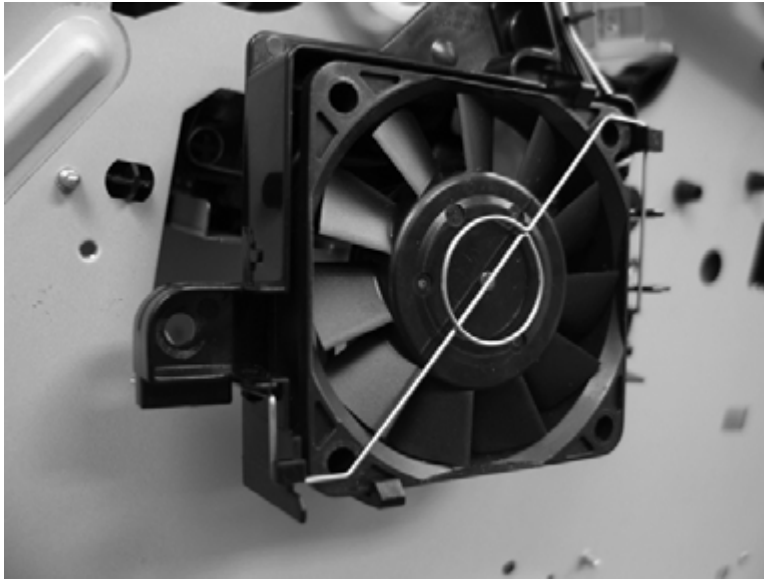
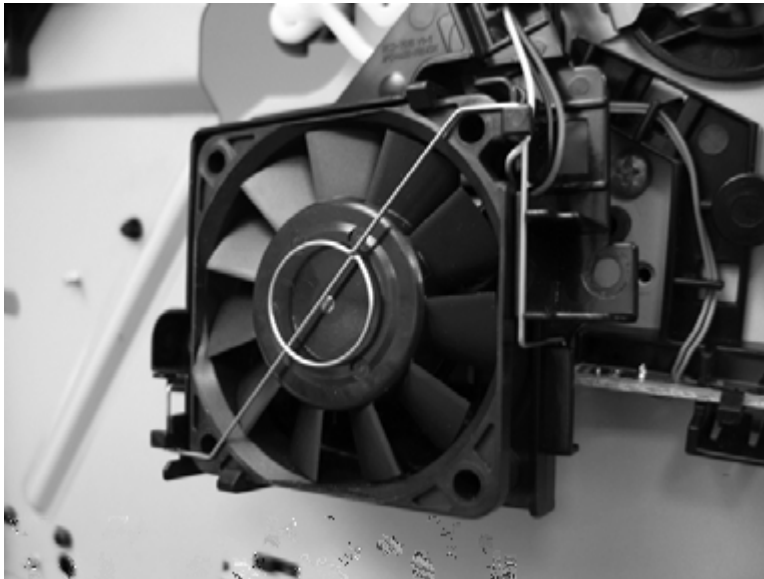


Figure 1-231 Reinstall the sub fan (2 of 2)

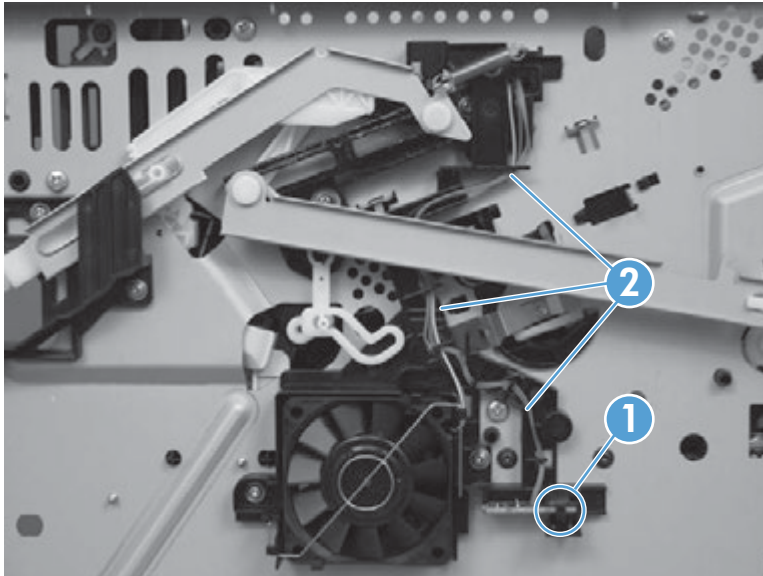


Environmental sensor

1. Before proceeding, remove the following:
 - Formatter cover. See [Formatter cover on page 37](#).
 - Formatter PCA. See [Formatter PCA on page 38](#).
 - Stapler cover or substitute stapler cover. See [Stapler cover on page 40](#) or [Substitute stapler cover on page 42](#).
 - Stapler assembly. See [Stapler assembly on page 43](#).
 - Rear cover assembly. See [Rear cover assembly on page 44](#).
 - Left cover. See [Left cover on page 48](#).
 - Right-rear cover. See [Right-rear cover on page 50](#).
 - Tray 1 cover. See [Tray 1 cover on page 52](#).
 - Cartridge-door assembly. See [Cartridge-door assembly on page 54](#).
 - Rear scanner cover. See [Rear scanner cover on page 56](#).
 - Right cover assembly. See [Right cover assembly on page 61](#).
 - Right handle cover and bracket. See [Right handle cover and bracket on page 66](#).
 - Image scanner whole unit kit. See [Image scanner whole unit kit on page 91](#).
 - Top cover. See [Top cover on page 120](#).
 - DC controller and sheet-metal plate. See [DC controller on page 127](#).
 - Low-voltage power supply. See [Low-voltage power supply \(LVPS\) on page 131](#).

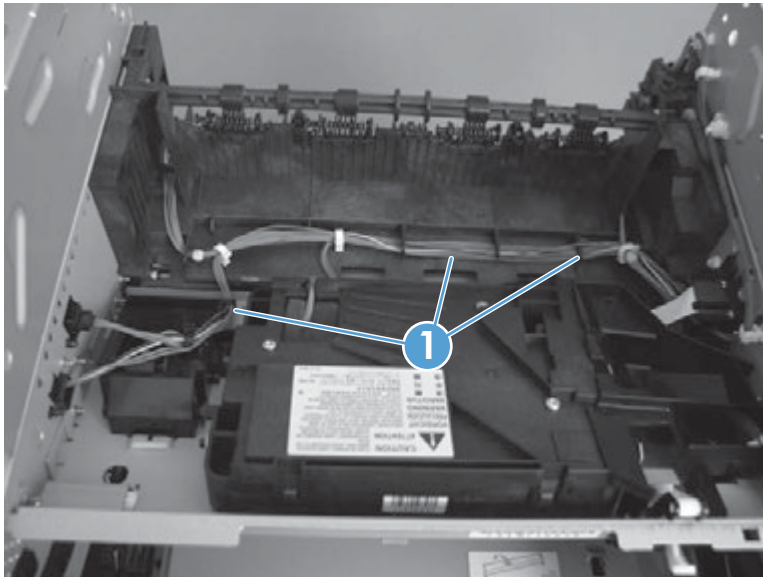
2. Release one tab (callout 1) and then release the sensor. Release the wire harness (callout 2) from the retainers.

Figure 1-232 Removing the environmental sensor (1 of 2)



3. Release the wire harness from the retainers (callout 1), and then remove the sensor.

Figure 1-233 Removing the environmental sensor (2 of 2)



High-voltage power supply (HVPS)

1. Before proceeding, remove the following:
 - Formatter cover. See [Formatter cover on page 37](#).
 - Formatter PCA. See [Formatter PCA on page 38](#).
 - Stapler cover or substitute stapler cover. See [Stapler cover on page 40](#) or [Substitute stapler cover on page 42](#).
 - Stapler assembly. See [Stapler assembly on page 43](#).
 - Rear cover assembly. See [Rear cover assembly on page 44](#).
 - Left cover. See [Left cover on page 48](#).
 - Right-rear cover. See [Right-rear cover on page 50](#).
 - Tray 1 cover. See [Tray 1 cover on page 52](#).
 - Cartridge-door assembly. See [Cartridge-door assembly on page 54](#).
 - Rear scanner cover. See [Rear scanner cover on page 56](#).
 - Right cover assembly. See [Right cover assembly on page 61](#).
 - Right handle cover and bracket. See [Right handle cover and bracket on page 66](#).
 - Image scanner whole unit kit. See [Image scanner whole unit kit on page 91](#).
 - Duplex media-feed assembly. See [Duplex media-feed assembly on page 108](#).
 - Top cover. See [Top cover on page 120](#).
 - DC controller and sheet-metal plate. See [DC controller on page 127](#).
 - Low-voltage power supply. See [Low-voltage power supply \(LVPS\) on page 131](#).

2. Place the product on its side with the gear cover facing up. Remove one screw (callout 1).


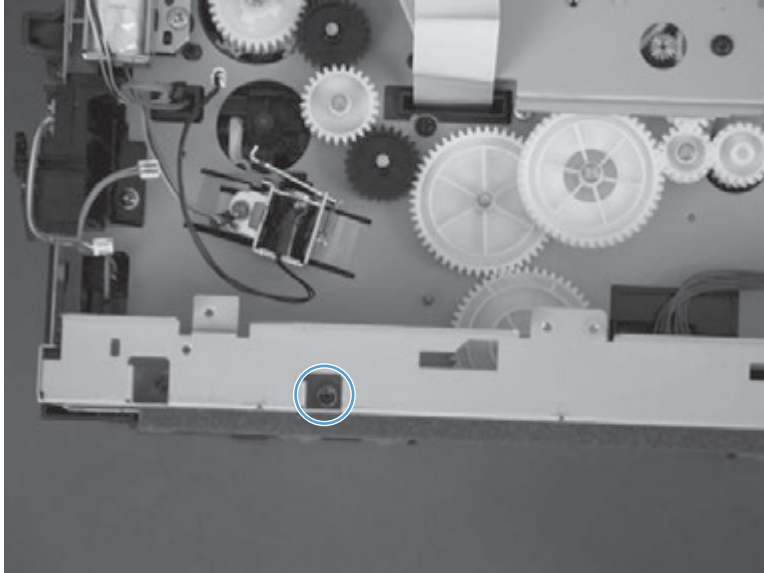
 **NOTE:** In this figure the gear cover is shown removed for clarity. Do not remove the gear cover. The gears behind the cover are not captive and can easily be dislodged if the cover is removed.

Figure 1-234 Remove the HVPS (1 of 11)



3. Place the product on its rear side. Remove one screw, and then remove the base plate (callout 2).


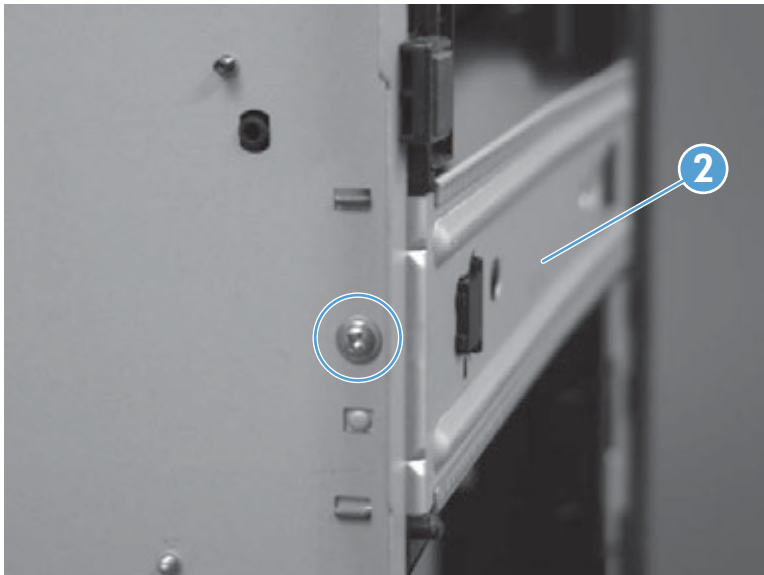
 **Reinstallation tip** Be sure to correctly align the base plate. It should match the base plate at the rear of the product.

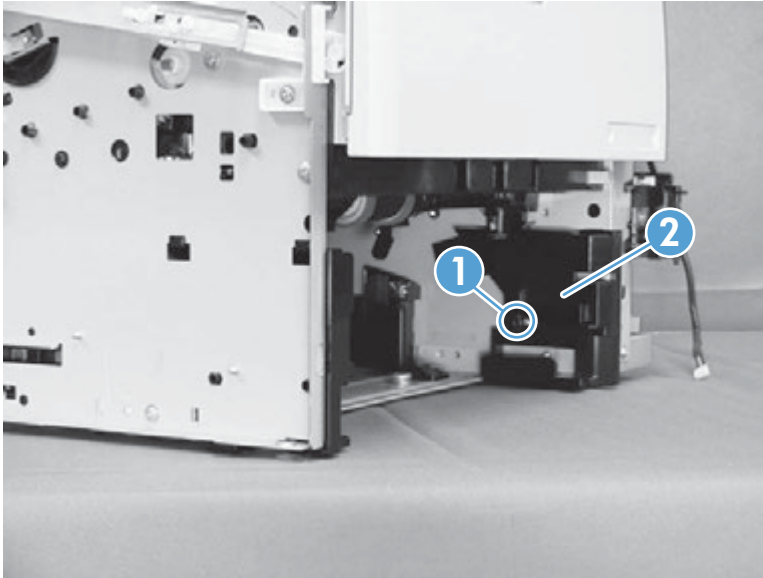
Figure 1-235 Remove the HVPS (2 of 11)



4. Remove one screw (callout 1), and then remove the right-side guide (callout 2).

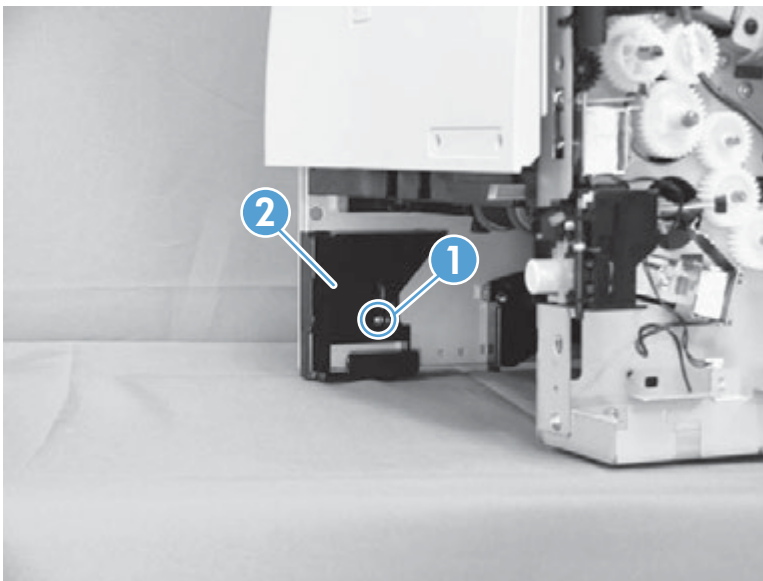
⚠ CAUTION: Use the caution. The solenoid is still attached.

Figure 1-236 Remove the HVPS (3 of 11)



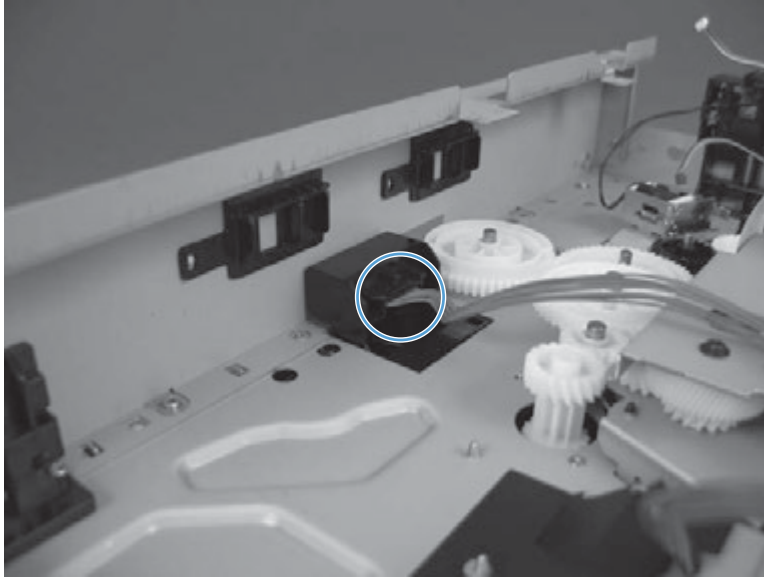
5. Remove one screw (callout 1), and then remove the left-side guide (callout 2).

Figure 1-237 Remove the HVPS (4 of 11)



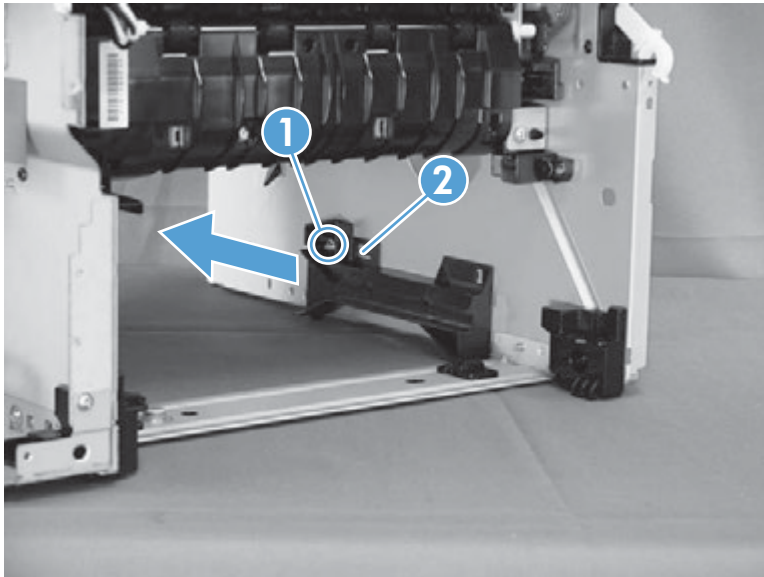
6. Disconnect one connector.

Figure 1-238 Remove the HVPS (5 of 7)



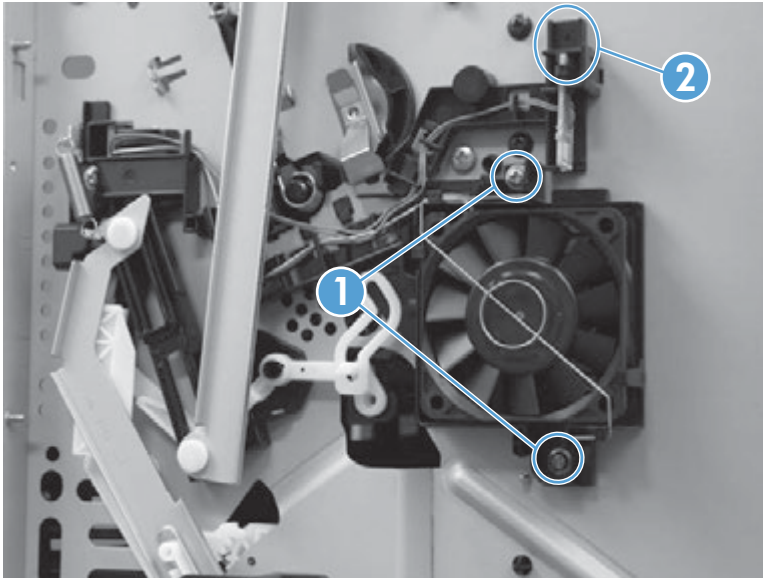
7. Remove one screw (callout 1), release one tab (callout 2) and then slide the guide toward the front of the product to release it.

Figure 1-239 Remove the HVPS (5 of 11)



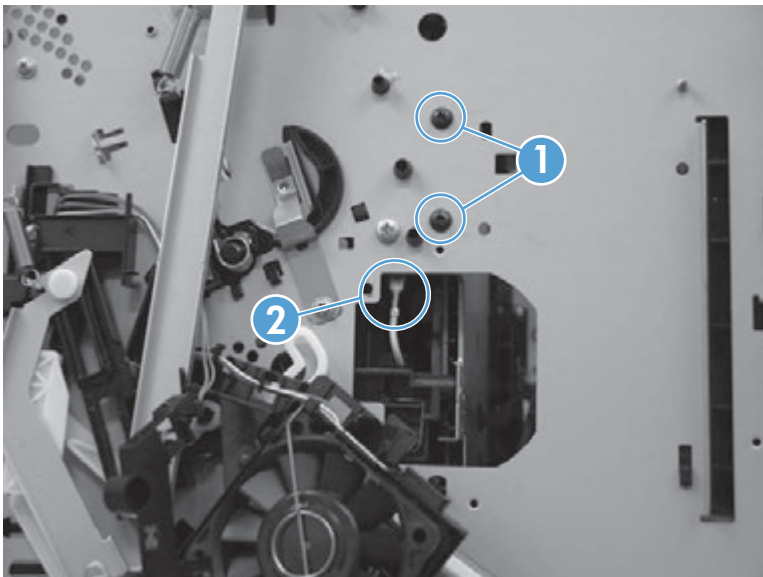
8. Remove two screws (callout 1) and release one tab (callout 2). Let the sub fan and environmental sensor hang from their wire harnesses.

Figure 1-240 Remove the HVPS (5 of 7)



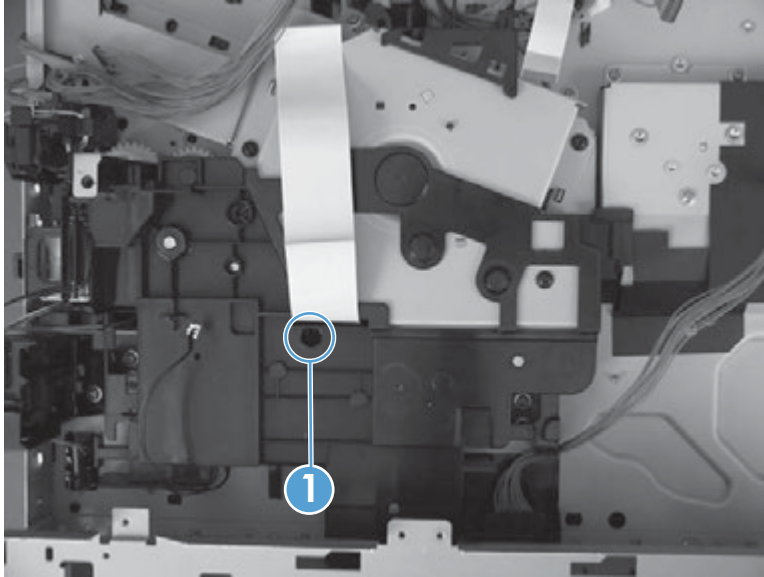
9. Remove two screws (callout 1), and then disconnect one connector (callout 2).

Figure 1-241 Remove the HVPS (6 of 11)



10. Remove one screw (callout 1).

Figure 1-242 Remove the HVPS (7 of 11)

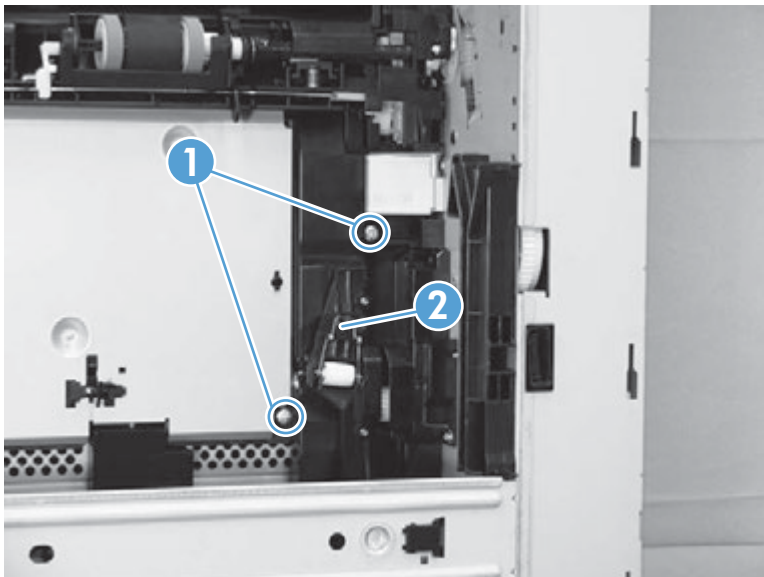


11. Place the product face-side up. Remove two screws (callout 1), and then remove the positioning guide (callout 2).

⚠ CAUTION: When you place the product face-side up, do not damage the rear-door link arm on the left side of the product.

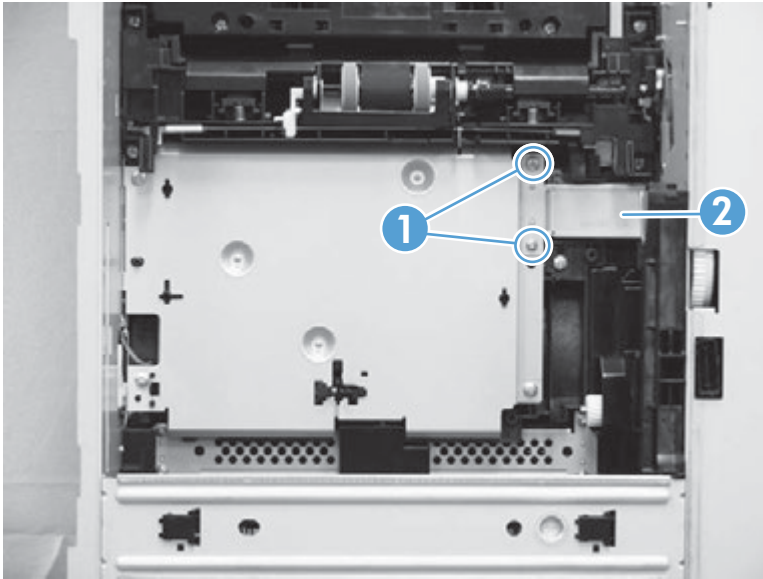
📝 NOTE: The positioning guide might appear to still be fastened to the product. You might have to use slight force to separate it from the product.

Figure 1-243 Remove the HVPS (8 of 11)



12. Remove two screws (callout 1), and then remove the plate (callout 2).

Figure 1-244 Remove the HVPS (9 of 11)



13. Remove three screws (callout 1), and then remove the HVPS (callout 2).


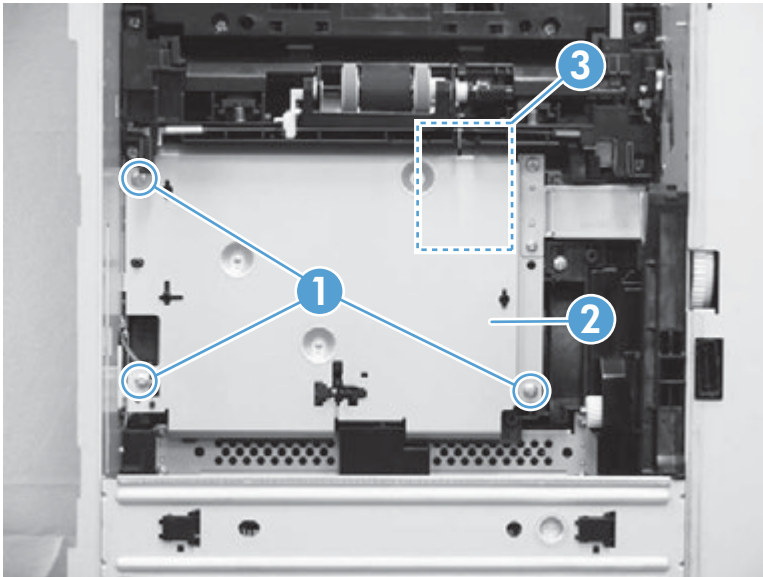
 **NOTE:** Disconnect three connectors and one FFC (callout 3) on the HPVS as you separate the it from the product.

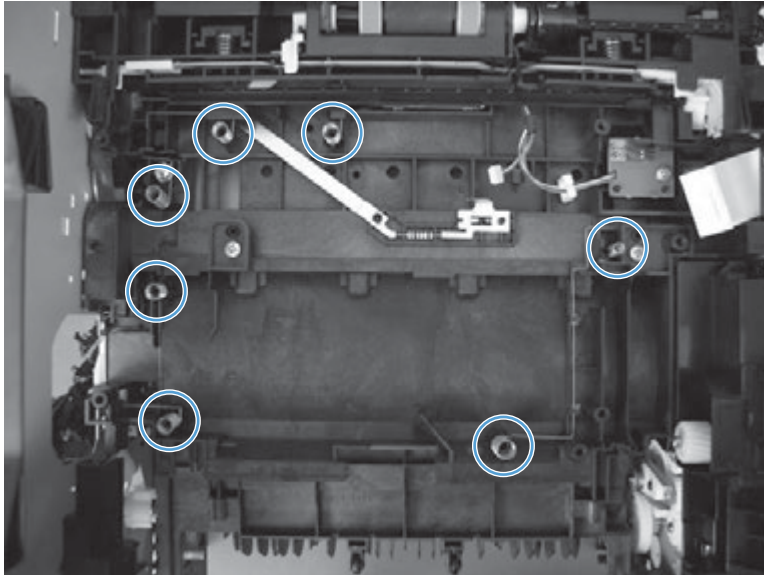
Figure 1-245 Remove the HVPS (10 of 11)



Reinstall the HVPS

- ▲ Make sure the HVPS is installed as straight as possible and that it aligns correctly with the grounding springs.

Figure 1-246 Remove the HVPS (11 of 11)



2 Parts and diagrams

- [Order parts by authorized service providers](#)
- [Related documentation and software](#)
- [Fasteners used in this product](#)
- [How to use the parts lists and diagrams](#)
- [Assembly locations](#)
- [Covers](#)
- [ADF and scanner assemblies](#)
- [Control panel assembly](#)
- [ADF assemblies](#)
- [Scanner assemblies](#)
- [Internal assemblies \(1 of 6\)](#)
- [Internal assemblies \(2 of 6\)](#)
- [Internal assemblies \(3 of 6\)](#)
- [Internal assemblies \(4 of 6\)](#)
- [Internal assemblies \(5 of 6\)](#)
- [Internal assemblies \(6 of 6\)](#)
- [Input devices](#)
- [Alphabetical parts list](#)
- [Numerical parts list](#)

Order parts by authorized service providers

Order parts, accessories, and supplies

Table 2-1 Order parts, accessories, and supplies

Order supplies and paper	www.hp.com/go/suresupply
Order genuine HP parts or accessories	www.hp.com/buy/parts
Order through service or support providers	Contact an HP-authorized service or support provider.
Order using HP software	For information about using the HP software to order parts, accessories, and supplies, see the product user guide.
Power cords	8121-0564; India 220 v, 6A 8121-0729; Argentina 220 v, 10A 8121-0731; Korea, EU generic 220 v, 10A 8121-0733; Denmark 220 v, 10A 8121-0734; Thailand, Philippines 220/110 v 8121-0735; South America, Chile, Peru 220 v, 10A 8121-0737; South Africa 220 v, 10A 8121-0738; Switzerland 220 v, 10A 8121-0739; UK, Asia Pacific 220 v, 10A 8121-0740; North America 110 v, 13A 8121-0837; Australia, New Zealand 220 v, 10A 8121-0943; China 220 v, 10A 8121-0964; Taiwan 110 v, 13A 8121-1004; Israel 220 v, 10A 8121-1071; Brazil 110 v, 10A 8121-1143; Japan 110 v, 12A

Supplies part numbers

Table 2-2 Supplies part numbers

Item	Description	Part number
HP LaserJet print cartridge	Standard-capacity cartridge	CE255-67901
		CE255A
	High-capacity cartridge	CE255-67902
		CE255X
Staple cartridge	Q7432-67901	

Customer self-repair (CSR) and service kits

Table 2-3 Customer self-repair (CSR) and service kits

Item	Part number
Fax kit (fax models only)	CF116-67904
<ul style="list-style-type: none">Fax cardFax cradleFax black plastic cradleInstallation instructions	
Control-panel kit	CD644-67916
<ul style="list-style-type: none">Control panelInstallation instruction	
Service PM kit	CF116-67903
<ul style="list-style-type: none">FuserTransfer rollerTray 1 rollerTray 1 separation PadTray 2 rollerTray 2 separation padRecycle guide	
ADF roller maintenance kit	<ul style="list-style-type: none">L2718AL2725-60002
Control-panel HIP (Hardware Integration Packet) cover	5042-8976

Table 2-3 Customer self-repair (CSR) and service kits (continued)

Item	Part number
Control-panel USB cover	5042-8977
Foam-reflector kit <ul style="list-style-type: none"> • Foam reflector • Installation instruction 	5851-4878
Separation pad spring kit <ul style="list-style-type: none"> • Separation pad spring • Installation instruction 	5851-4879
SSM solid state module kit <p>Replacement memory module for the M525dn model</p> <ul style="list-style-type: none"> • SSM SanDisk 8 GB • Lock key • Installation instruction 	CF116-67916
Hard disk drive kit <p>Replacement HP Encrypted High Performance Hard Disk for the M525f model</p> <ul style="list-style-type: none"> • HDD 250 GB SED • Hard disk drive bracket • Installation instruction 	CF116-67907
Hard disk drive kit <p>Replacement HP Encrypted High Performance Hard Disk (Government option)</p> <ul style="list-style-type: none"> • HDD 320 GB FIPS140 • Hard disk drive bracket • Installation instruction 	CF116-67915
Tray 2, cassette only	RM1-8512-000CN
Tray 3, cassette only	RM1-6279-000CN
500-sheet feeder CE530A <p>Complete 500-sheet feeder for Tray 3 or Tray 4; includes tray</p>	CE530-69001
MFP stand CF338A	CF116-67919
ADF whole unit kit <ul style="list-style-type: none"> • ADF • Foam reflector kit • Installation instruction 	CF116-67910

Table 2-3 Customer self-repair (CSR) and service kits (continued)

Item	Part number
Image scanner whole unit kit	CF116-67918
<ul style="list-style-type: none">• Flatbed scanner assembly• Foam reflector kit• Installation instruction	
Multipurpose (Tray 1) cover assembly	CF116-67917
Includes nameplate and HP gem.	
ADF mylar kit	5851-4998
<ul style="list-style-type: none">• Guide, mylar A4• Installation instruction	
NOTE: The ADF mylar kit contains six mylar guides. Only two guides are required for the product. Additional guides are to be used if the adhesive on a guide is contaminated during installation.	
Scanner memory PCA kit	CF116-67923
<ul style="list-style-type: none">• Scanner memory PCA• Installation instruction	
Service preventative maintenance kit	CF116-67903
<ul style="list-style-type: none">• Fuser (universal)• Transfer roller• Tray 1 roller• Tray 1 separation pad• Tray 2 roller• Tray 2 separation pad• Recycle guide• Installation instruction	

Related documentation and software

Table 2-4 Related documentation and software

Item	Description	Part number
<i>HP LaserJet Enterprise 500 MFP M525 Printer User Guide</i>	Product user guide	CF116-90912
<i>HP LaserJet Enterprise 500 MFP M525 Repair Manual</i>	English service repair manual	CF116-90902
<i>HP LaserJet Enterprise 500 MFP M525 Troubleshooting Manual</i>	English service troubleshooting manual	CF116-90901

Fasteners used in this product


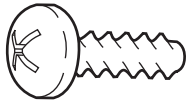
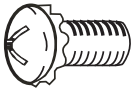


 **NOTE:** The screw illustrations in the following table are for reference only. Screws might vary in size and appearance from those shown in this table.

Table 2-5 Common fasteners

Example	Description	Size	Part Number
	Screw, tapping, truss head	M4X10	XB4-7401-005CN
	Screw, D	M3X8	XA9-1671-000CN

6 mm 8 mm 10 mm M 3 M 4



How to use the parts lists and diagrams

⚠ CAUTION: Be sure to order the correct part. When looking for part numbers for electrical components, pay careful attention to the voltage that is listed. Doing so will make sure that the part number selected is for the correct model.

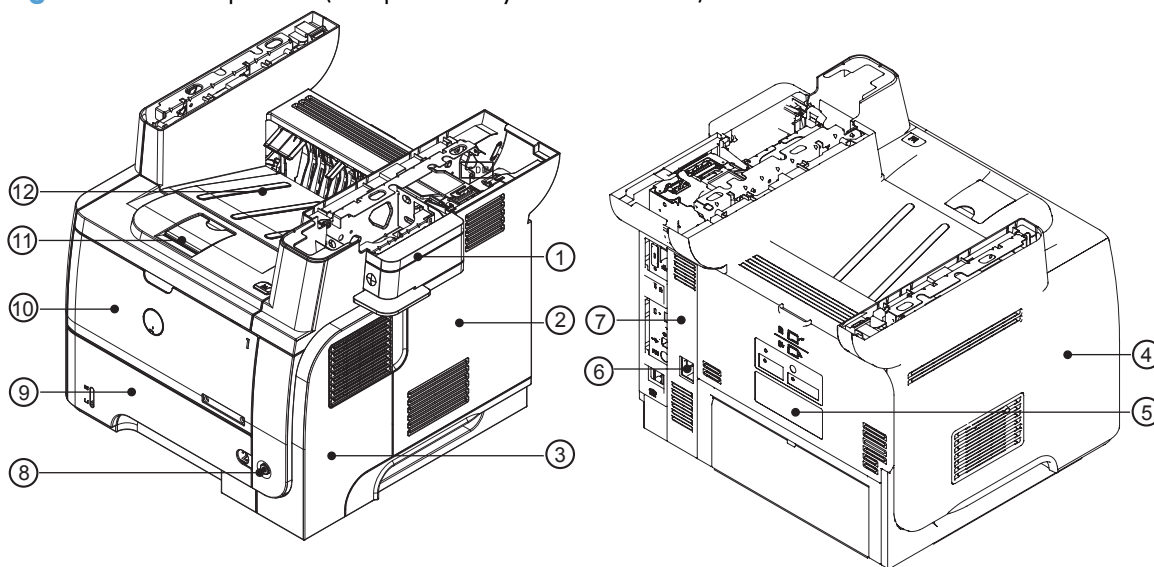
📝 NOTE: In this manual, the abbreviation “PCA” stands for “printed circuit-board assembly.” Components described as a PCA might consist of a single circuit board or a circuit board plus other parts, such as cables and sensors.

The figures in this chapter show the major subassemblies in the product and their component parts. A parts list table follows each exploded view assembly diagram. Each table lists the item number, the associated part number, and the description of each part. If a part is not listed in the table, then it is not a field replacement unit (FRU).

Assembly locations

Base product (no optional trays or accessories)

Figure 2-1 Base product (no optional trays or accessories)



Item	Description	Item	Description
1	Stapler cover	7	Right-rear cover
2	Formatter cover	8	Power switch
3	Right cover	9	Tray 2
4	Left cover	10	Tray 1
5	Rear door	11	Cartridge door
6	Power port	12	Face-down output bin

Base product (optional trays or accessories)

Figure 2-2 Base product (optional trays or accessories)

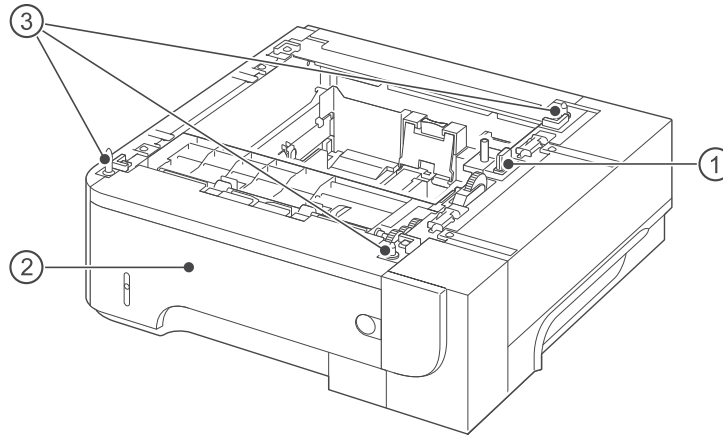


Table 2-6 Optional 500-sheet input tray

Item	Description
1	Connector
2	Tray 3 or Tray 4
3	Positioning pin

Covers

Figure 2-3 Covers

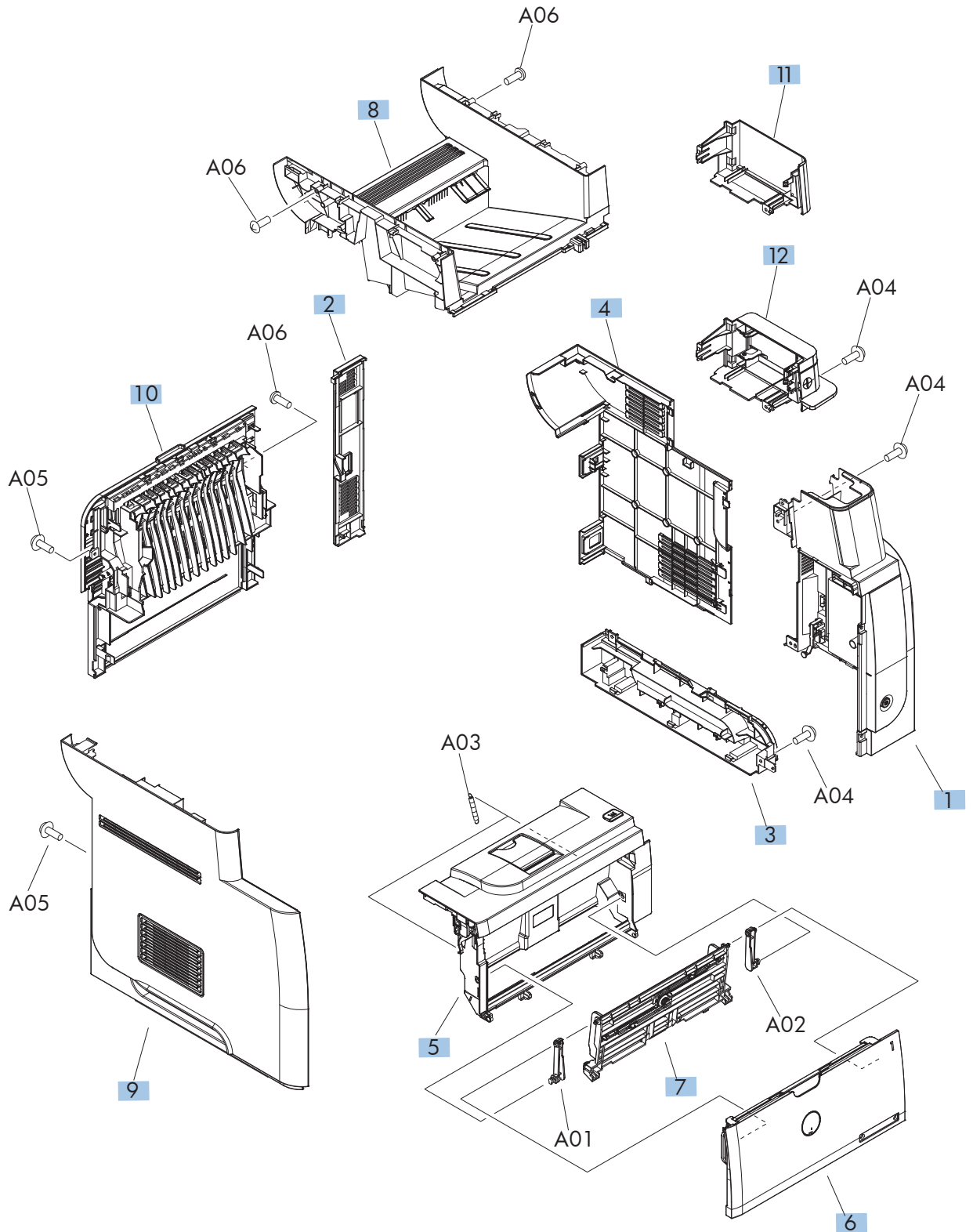


Table 2-7 Covers

Ref	Description	Part number	Qty
1	Cover, right assembly	RM1-8498-000CN	1
2	Cover, right rear	RC2-7673-000CN	1
3	Cover, handle, right	RC2-7675-000CN	1
4	Cover, formatter	RC3-1863-000CN	1
5	Door, cartridge assembly	RM1-8502-000CN	1
6	Cover, multipurpose assembly	CF116-67917	1
7	Multipurpose lifting plate assembly	RM1-6325-000CN	1
8	Cover, top assembly	RM1-8516-000CN	1
9	Cover, left assembly	RM1-8517-000CN	1
10	Cover, rear assembly	RM1-8518-000CN	1
11	Cover, dummy	RC3-1920-000CN	1
12	Cover, staple assembly	RM1-8520-000CN	1

ADF and scanner assemblies

Figure 2-4 ADF and scanner assemblies

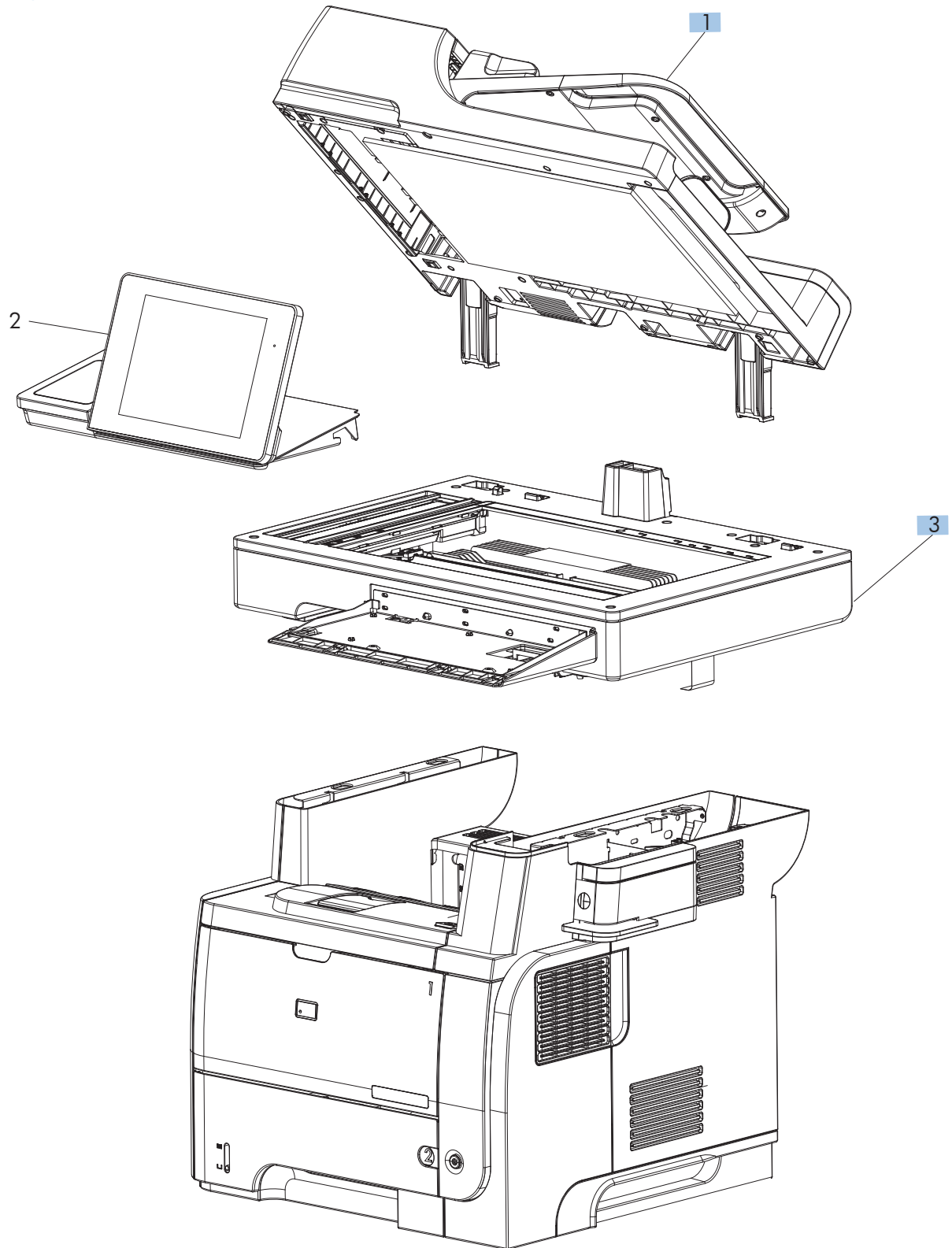


Table 2-8 ADF and scanner assemblies

Ref	Description	Part number	Qty
1	ADF whole unit kit	CF116-67910	1
3	Scanner whole unit	CF116-67918	1

Control panel assembly

Figure 2-5 Control panel assembly

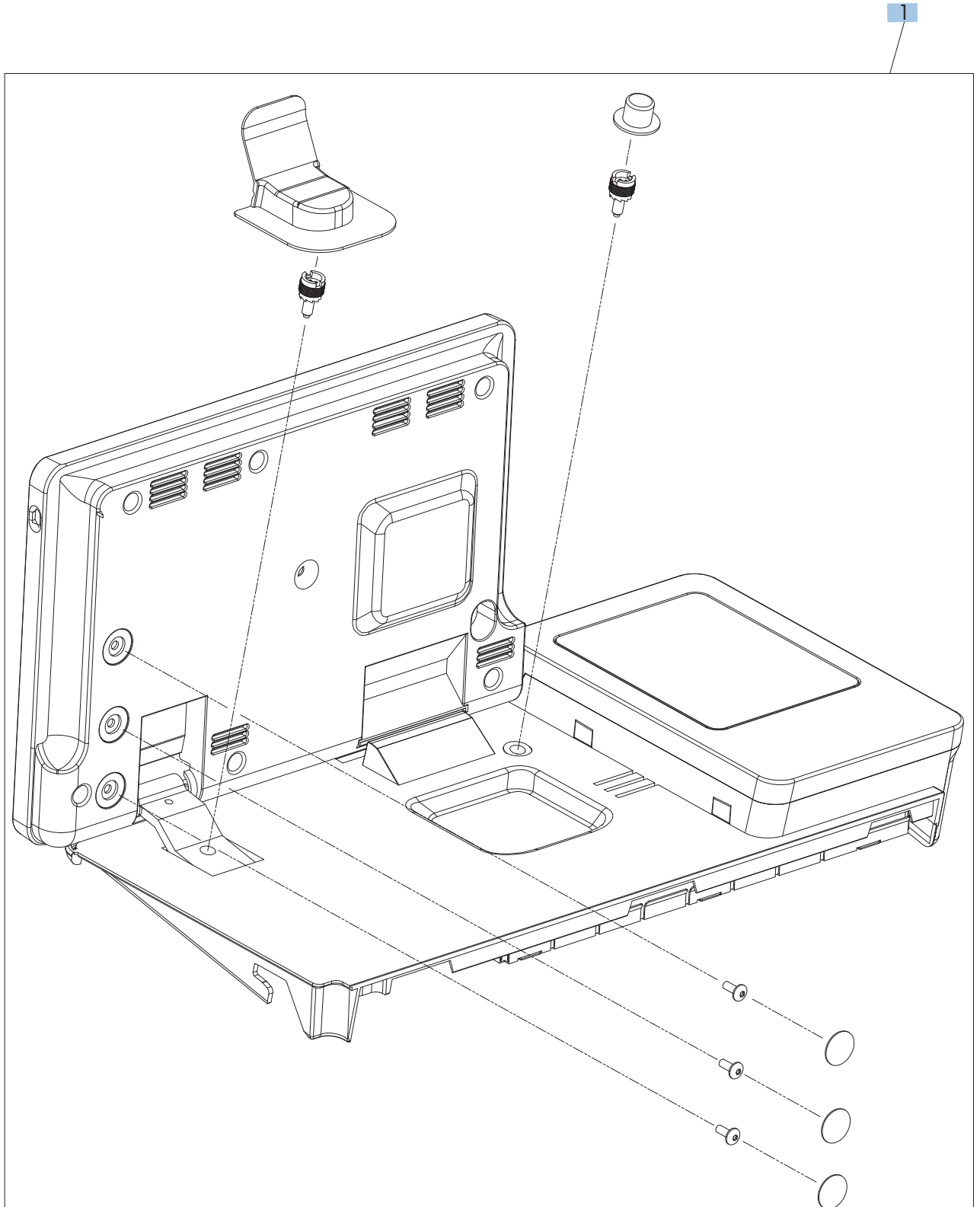


Table 2-9 Control panel assembly

Ref	Description	Part number	Qty
1	Control panel assembly kit	CD644-67916	1
Not shown	Control-panel cable (see Control-panel cable on page 103)	CF116-60105	1

ADF assemblies

Figure 2-6 ADF assemblies

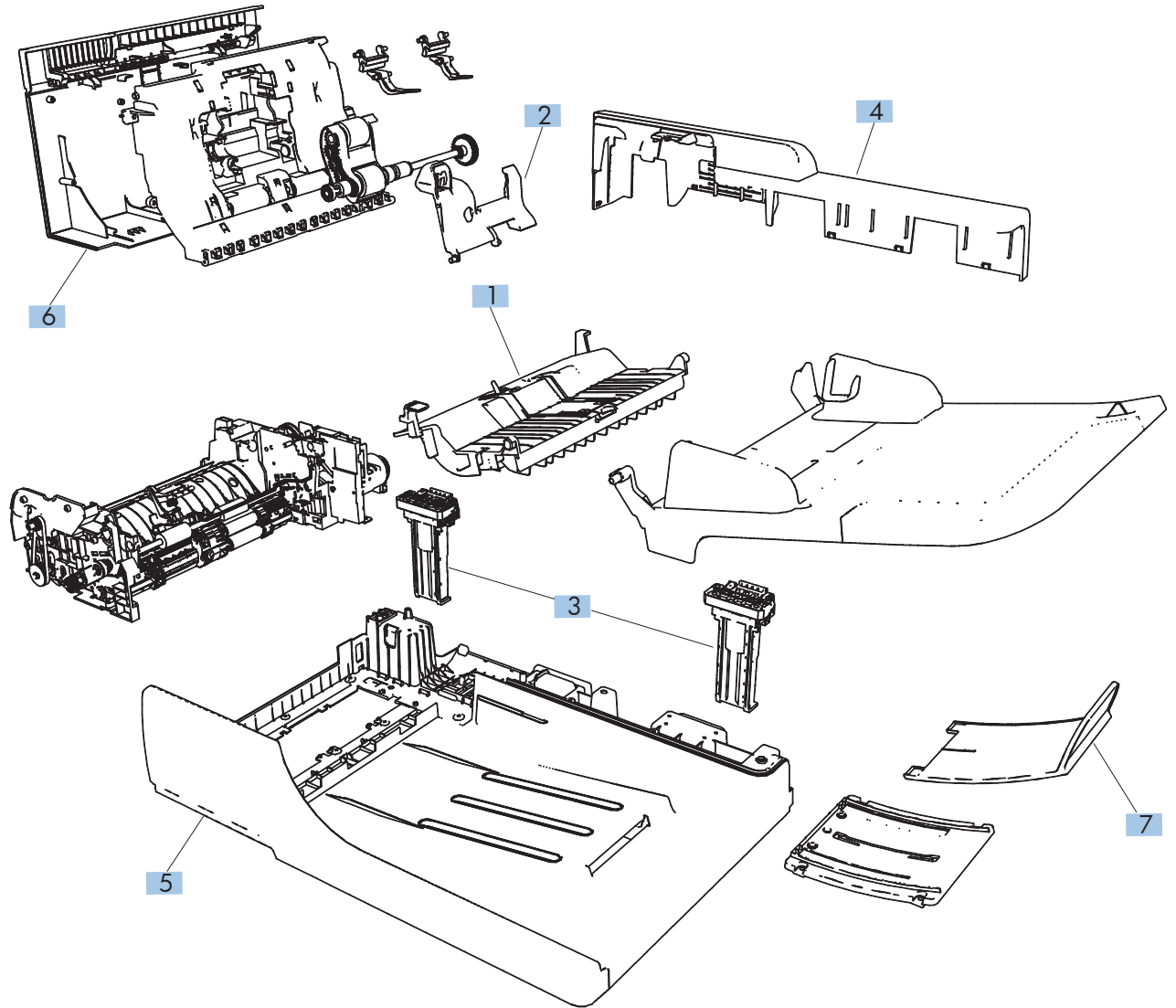


Table 2-10 ADF assemblies

Ref	Description	Part number	Qty
1	ADF separation pad spring	5851-4879	1
2	ADF cover, bogie	CC355-40013	1
3	ADF hinge assembly	Q7404-60024	2
4	Cover, ADF rear (cover rear)	Q7404-40007	1
5	Cover, ADF front (cover front)	Q7404-40030	1
6	Cover, hatch	Q7404-40006	1
7	ADF tray extender (paper stopper)	Q7404-40020	1
Not shown	Assy-harness (ADF cable) (see ADF cable on page 83)	Q7404-50007	1
Not shown	Mylar kit	5851-4998	1

Scanner assemblies

Figure 2-7 Scanner assemblies

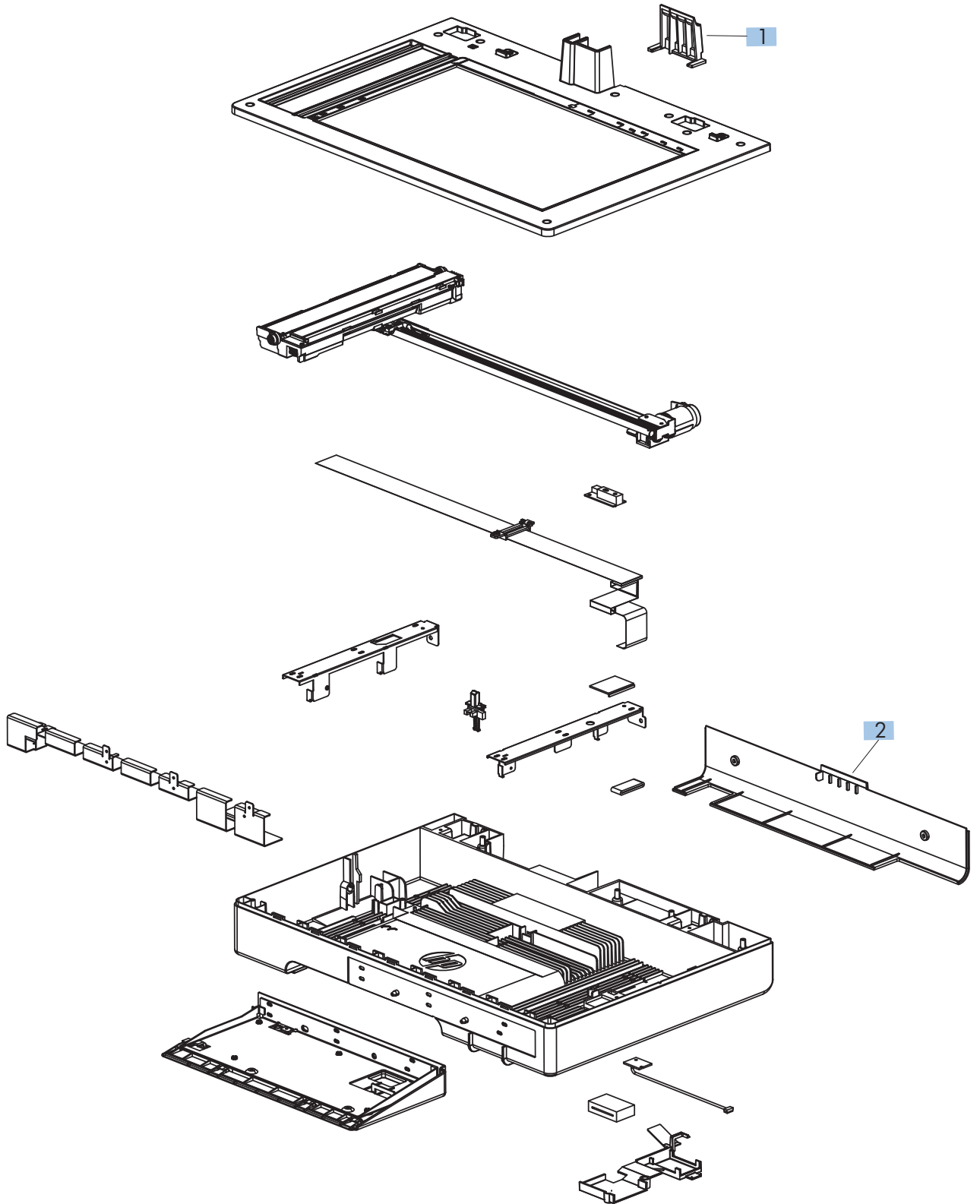


Table 2-11 Scanner assemblies

Ref	Description	Part number	Qty
1	Cover, ADF cable (asset chimney)	5851-0630	1
2	Cover, rear scanner (rear cover)	CF116-40002	1
Not shown	PCA, scanner memory (see Scanner memory PCA (memory board kit) on page 79)	CF116-67923	1
Not shown	Cave light	CF116-60104	1

Table 2-12 Internal assemblies (1 of 6)

Ref	Description	Part number	Qty
1	Tag holder assembly	RM1-8521-000CN	1
2	Laser/scanner	RM1-6322-000CN	1
4	Stopper, bushing arm	RC2-7928-000CN	2
5	Cable, flat	RK2-4218-000CN	1
6	Sensor, environmental PCA	RM1-8622-000CN	1

Internal assemblies (2 of 6)

Figure 2-9 Internal assemblies (2 of 6)

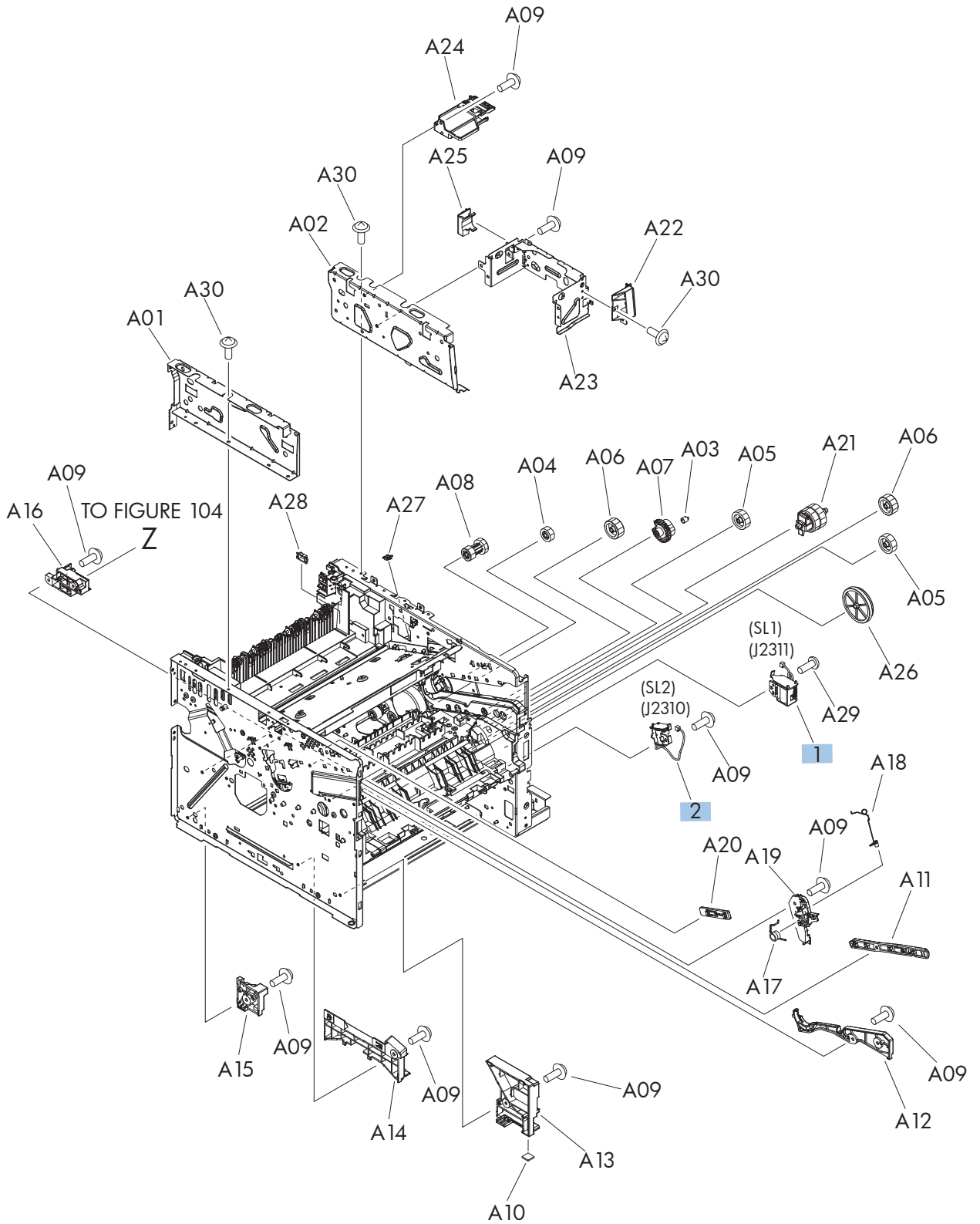


Table 2-13 Internal assemblies (2 of 6)

Ref	Description	Part number	Qty
1	Tray 1 solenoid	RK2-1490-000CN	1
2	Tray 2 solenoid	RK2-1492-000CN	1

Internal assemblies (3 of 6)

Figure 2-10 Internal assemblies (3 of 6)

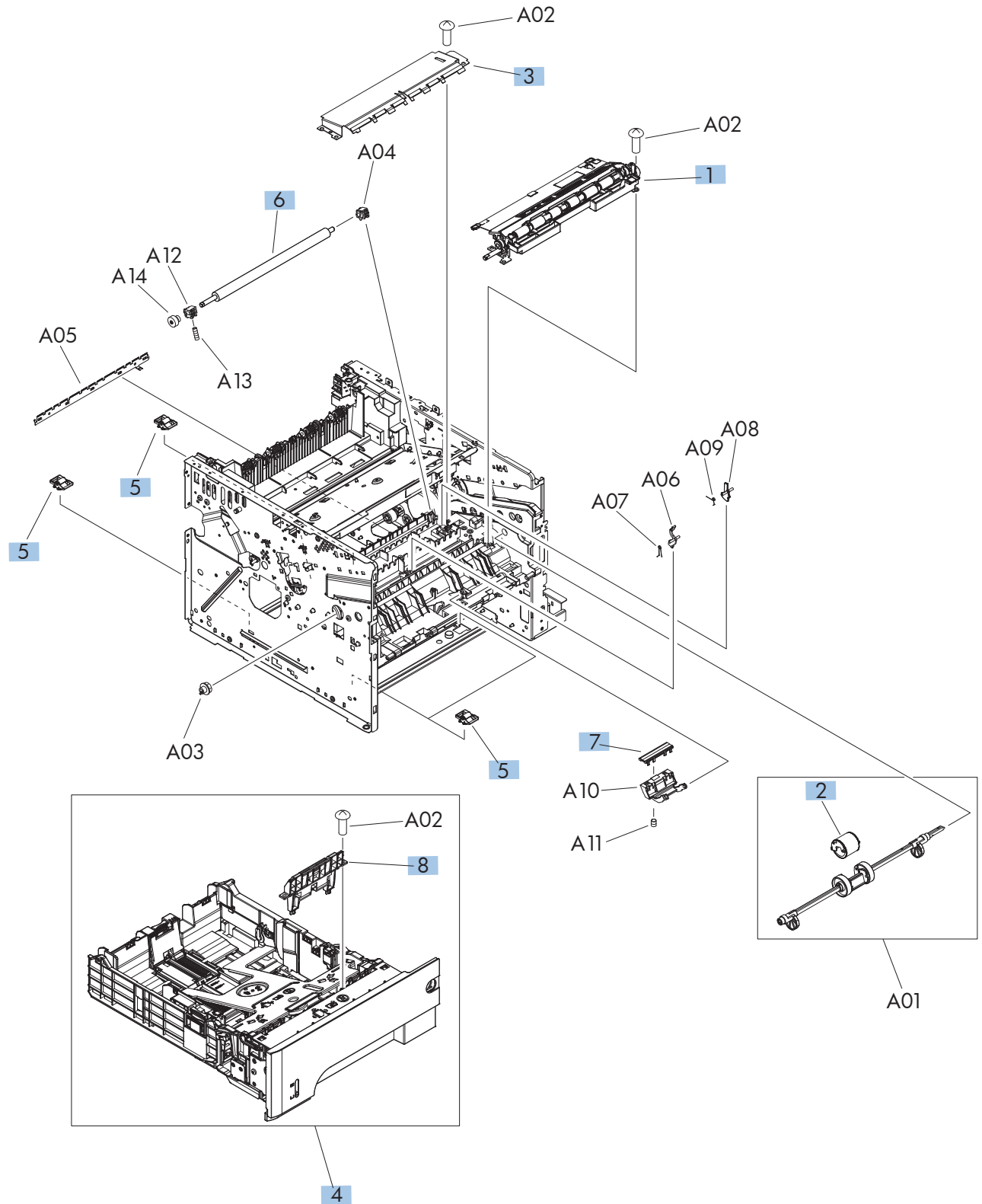


Table 2-14 Internal assemblies (3 of 6)

Ref	Description	Part number	Qty
1	Registration roller assembly	RM1-8507-000CN	1
2	Roller, multipurpose	RL1-2412-000CN	1
3	Transfer lower guide assembly	RM1-6315-000CN	1
4	Cassette, Tray 2	RM1-8512-000CN	1
5	Base plate roller assembly	RM1-6306-000CN	4
6	Roller, transfer	RM1-6321-000CN	1
7	Pad, multipurpose separation	RC2-8575-000CN	1
8	Separation holder assembly	RM1-6303-000CN	1

Internal assemblies (4 of 6)

Figure 2-11 Internal assemblies (4 of 6)

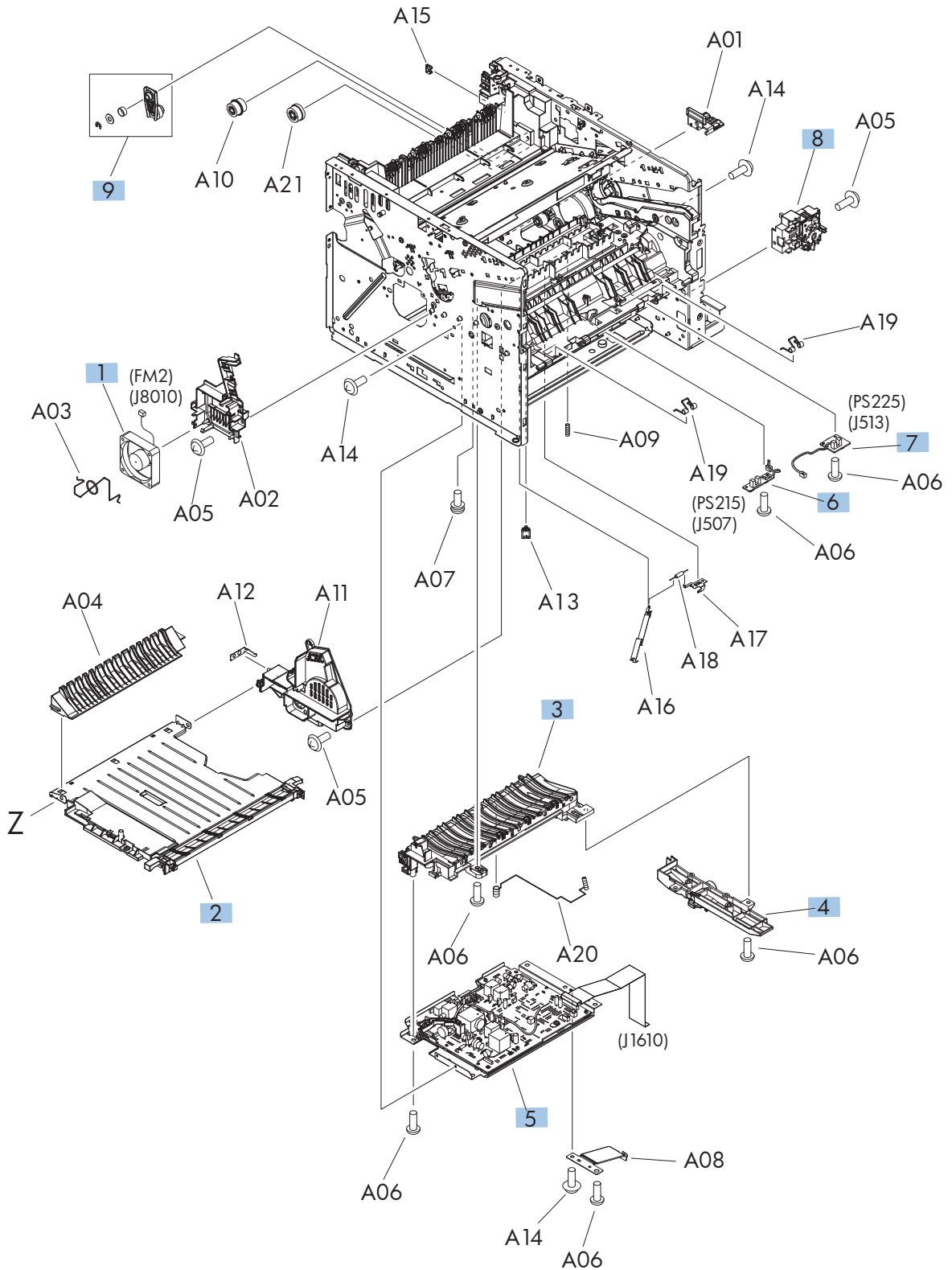


Table 2-15 Internal assemblies (4 of 6)

Ref	Description	Part number	Qty
1	Fan, sub	RK2-1499-000CN	1
2	Lower paper feed guide	RM1-6263-000CN	1
3	Paper-feed guide assembly	RM1-6270-000CN	1
4	Position-guide assembly	RM1-6273-000CN	1
5	High-voltage power supply PCA	RM1-8519-000CN	1
6	Top sensor PCA	RM1-8617-000CN	1
7	Paper width sensor PCA	RM1-8618-000CN	1
8	Switch assembly	RM1-8515-000CN	1
9	Pendulum service kit	RM1-6598-000CN	1

Internal assemblies (5 of 6)

Figure 2-12 Internal assemblies (5 of 6)

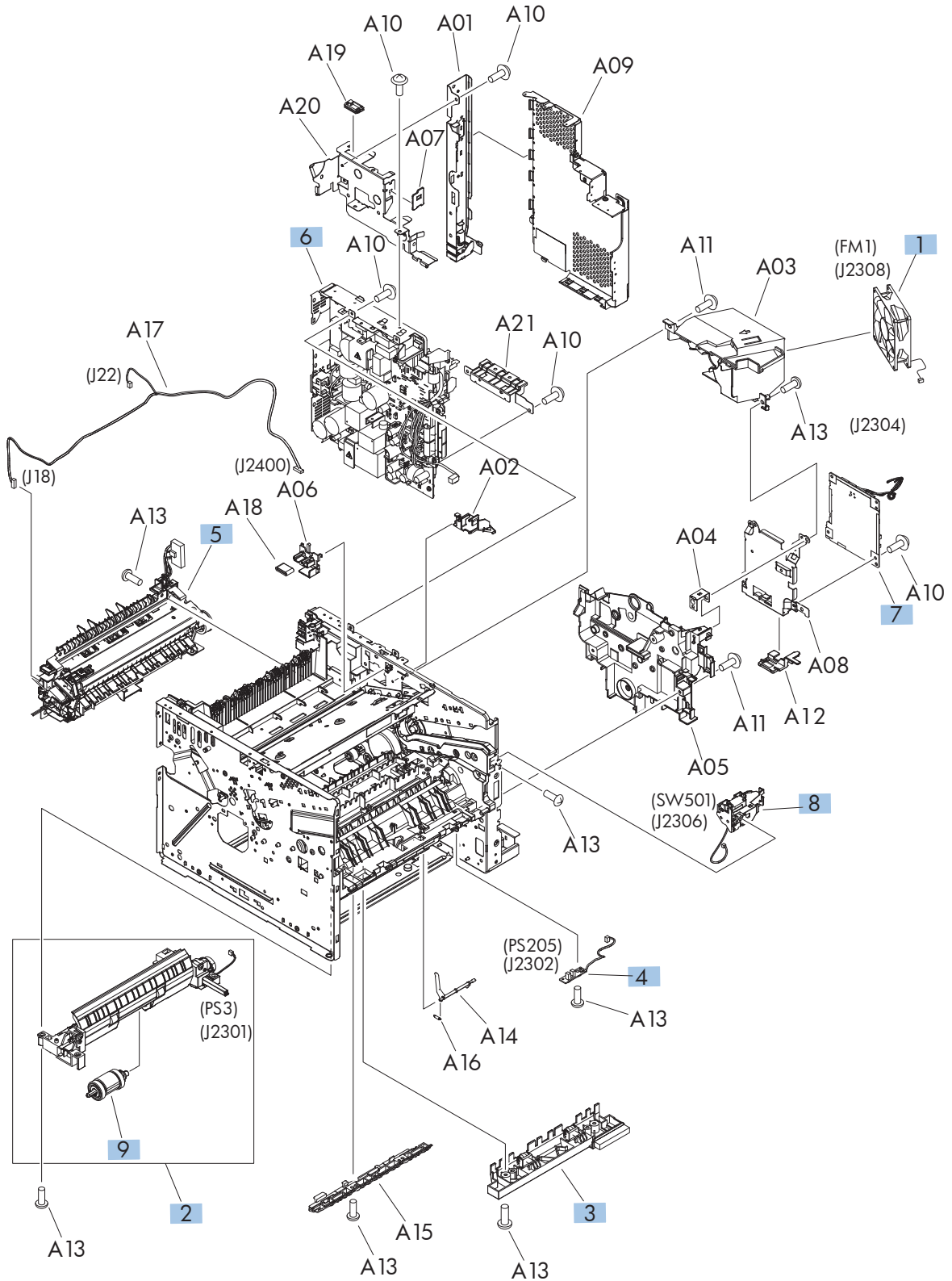


Table 2-16 Internal assemblies (5 of 6)

Ref	Description	Part number	Qty
1	Fan, main	RK2-2416-000CN	1
2	Tray 2, paper pickup assembly	RM1-8505-000CN	1
3	Idler roller assembly	RM1-8506-000CN	1
4	Multipurpose sensor PCA	RM1-8621-000CN	1
5	Fuser assembly (universal)	RM1-8508-000CN	1
6	Low voltage power supply assembly	RM1-8514-000CN	1
7	DC controller PCA	RM1-8615-000CN	1
8	Interlock switch assembly	RM1-8499-000CN	1
9	Tray pickup roller assembly	RM1-6323-000CN	1
Not shown	Stapler assembly (no cable) (see Stapler assembly on page 43)	5851-0786	1
Not shown	Stapler cable (see Stapler assembly on page 43)	CF116-60106	1
Not shown	Fax cradle, black plastic	5851-0672	1
Not shown	Hard drive, bracket	5851-3453	1
Not shown	Fax, cable	5851-3499	1
Not shown	Fax, cable, Israel	8120-8913	1
Not shown	Fax, cable, rest of the world	8120-0811	1
Not shown	Fax, cable, Switzerland	8120-0844	1
Not shown	Formatter, standard	CF104-69001	1
Not shown	Formatter, standard (China only)	CF116-67914	1

Internal assemblies (6 of 6)

Figure 2-13 Internal assemblies (6 of 6)

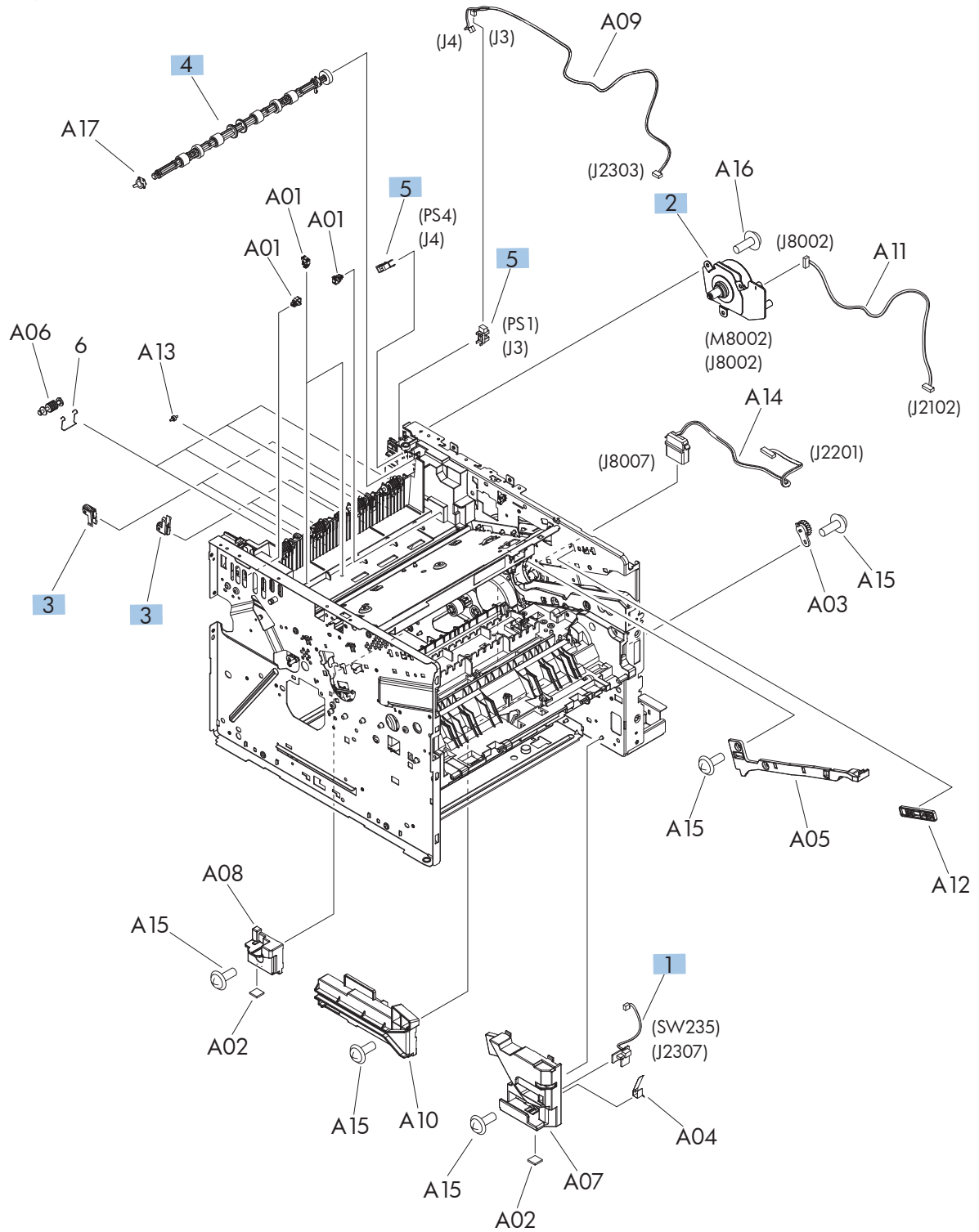


Table 2-17 Internal assemblies (6 of 6)

Ref	Description	Part number	Qty
1	Tray sensor PCA	RM1-8620-000CN	1
2	Fuser motor assembly	RM1-8523-000CN	1
3	Paper delivery roller assembly	RM1-6301-000CN	4
4	Face-down roller assembly	RM1-6311-000CN	1
5	Photo interrupter, IC	WG8-5935-000CN	2

Input devices

500-sheet input tray (Tray 3 and Tray 4)

Figure 2-14 500-sheet input tray (Tray 3 and Tray 4)

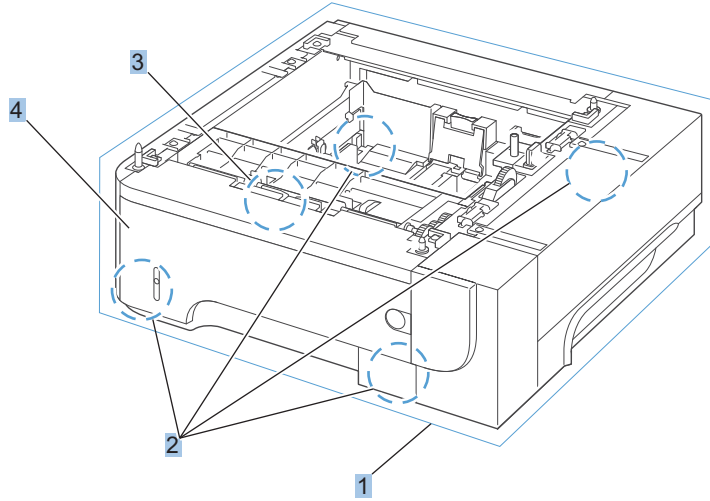


Table 2-18 500-sheet input tray (Tray 3 and Tray 4)

Ref	Description	Part number	Qty
1	Optional 500-sheet tray and feeder unit	CE530-69001	1
2	Base plate roller assembly	RM1-6306-000CN	4
3	Separation holder assembly	RM1-6303-000CN	1
4	Cassette, Tray 3/4	RM1-6279-000CN	1

Alphabetical parts list

Table 2-19 Alphabetical parts list

Description	Part number	Table and page
ADF cover, bogie	CC355-40013	ADF assemblies on page 183
ADF hinge assembly	Q7404-60024	ADF assemblies on page 183
ADF separation pad spring	5851-4879	ADF assemblies on page 183
ADF tray extender (paper stopper)	Q7404-40020	ADF assemblies on page 183
ADF whole unit kit	CF116-67910	ADF and scanner assemblies on page 179
Assy-harness (ADF cable) (see ADF cable on page 83)	Q7404-50007	ADF assemblies on page 183
Base plate roller assembly	RM1-6306-000CN	Internal assemblies (3 of 6) on page 191
Base plate roller assembly	RM1-6306-000CN	500-sheet input tray (Tray 3 and Tray 4) on page 199
Cable, flat	RK2-4218-000CN	Internal assemblies (1 of 6) on page 187
Cassette, Tray 2	RM1-8512-000CN	Internal assemblies (3 of 6) on page 191
Cassette, Tray 3/4	RM1-6279-000CN	500-sheet input tray (Tray 3 and Tray 4) on page 199
Cave light	CF116-60104	Scanner assemblies on page 185
Control panel assembly kit	CD644-67916	Control panel assembly on page 181
Control-panel cable (see Control-panel cable on page 103)	CF116-60105	Control panel assembly on page 181
Cover, ADF cable (asset chimney)	5851-0630	Scanner assemblies on page 185
Cover, ADF front (cover front)	Q7404-40030	ADF assemblies on page 183
Cover, ADF rear (cover rear)	Q7404-40007	ADF assemblies on page 183
Cover, dummy	RC3-1920-000CN	Covers on page 177
Cover, formatter	RC3-1863-000CN	Covers on page 177
Cover, handle, right	RC2-7675-000CN	Covers on page 177
Cover, hatch	Q7404-40006	ADF assemblies on page 183
Cover, left assembly	RM1-8517-000CN	Covers on page 177
Cover, multipurpose assembly	CF116-67917	Covers on page 177
Cover, rear assembly	RM1-8518-000CN	Covers on page 177

Table 2-19 Alphabetical parts list (continued)

Description	Part number	Table and page
Cover, rear scanner (rear cover)	CF116-40002	Scanner assemblies on page 185
Cover, right assembly	RM1-8498-000CN	Covers on page 177
Cover, right rear	RC2-7673-000CN	Covers on page 177
Cover, staple assembly	RM1-8520-000CN	Covers on page 177
Cover, top assembly	RM1-8516-000CN	Covers on page 177
DC controller PCA	RM1-8615-000CN	Internal assemblies (5 of 6) on page 195
Door, cartridge assembly	RM1-8502-000CN	Covers on page 177
Face-down roller assembly	RM1-6311-000CN	Internal assemblies (6 of 6) on page 197
Fan, main	RK2-2416-000CN	Internal assemblies (5 of 6) on page 195
Fan, sub	RK2-1499-000CN	Internal assemblies (4 of 6) on page 193
Fax cradle, black plastic	5851-0672	Internal assemblies (5 of 6) on page 195
Fax, cable	5851-3499	Internal assemblies (5 of 6) on page 195
Fax, cable, Israel	8120-8913	Internal assemblies (5 of 6) on page 195
Fax, cable, rest of the world	8120-0811	Internal assemblies (5 of 6) on page 195
Fax, cable, Switzerland	8120-0844	Internal assemblies (5 of 6) on page 195
Formatter, standard	CF104-69001	Internal assemblies (5 of 6) on page 195
Formatter, standard (China only)	CF116-67914	Internal assemblies (5 of 6) on page 195
Fuser assembly (universal)	RM1-8508-000CN	Internal assemblies (5 of 6) on page 195
Fuser motor assembly	RM1-8523-000CN	Internal assemblies (6 of 6) on page 197
Hard drive, bracket	5851-3453	Internal assemblies (5 of 6) on page 195
High-voltage power supply PCA	RM1-8519-000CN	Internal assemblies (4 of 6) on page 193
Idler roller assembly	RM1-8506-000CN	Internal assemblies (5 of 6) on page 195

Table 2-19 Alphabetical parts list (continued)

Description	Part number	Table and page
Interlock switch assembly	RM1-8499-000CN	Internal assemblies (5 of 6) on page 195
Laser/scanner	RM1-6322-000CN	Internal assemblies (1 of 6) on page 187
Low voltage power supply assembly	RM1-8514-000CN	Internal assemblies (5 of 6) on page 195
Lower paper feed guide	RM1-6263-000CN	Internal assemblies (4 of 6) on page 193
Multipurpose lifting plate assembly	RM1-6325-000CN	Covers on page 177
Multipurpose sensor PCA	RM1-8621-000CN	Internal assemblies (5 of 6) on page 195
Mylar kit	5851-4998	ADF assemblies on page 183
Optional 500-sheet tray and feeder unit	CE530-69001	500-sheet input tray (Tray 3 and Tray 4) on page 199
Pad, multipurpose separation	RC2-8575-000CN	Internal assemblies (3 of 6) on page 191
Paper delivery roller assembly	RM1-6301-000CN	Internal assemblies (6 of 6) on page 197
Paper width sensor PCA	RM1-8618-000CN	Internal assemblies (4 of 6) on page 193
Paper-feed guide assembly	RM1-6270-000CN	Internal assemblies (4 of 6) on page 193
PCA, scanner memory (see Scanner memory PCA (memory board kit) on page 79)	CF116-67923	Scanner assemblies on page 185
Pendulum service kit	RM1-6598-000CN	Internal assemblies (4 of 6) on page 193
Photo interrupter, IC	WG8-5935-000CN	Internal assemblies (6 of 6) on page 197
Position-guide assembly	RM1-6273-000CN	Internal assemblies (4 of 6) on page 193
Registration roller assembly	RM1-8507-000CN	Internal assemblies (3 of 6) on page 191
Roller, multipurpose	RL1-2412-000CN	Internal assemblies (3 of 6) on page 191
Roller, transfer	RM1-6321-000CN	Internal assemblies (3 of 6) on page 191
Scanner whole unit	CF116-67918	ADF and scanner assemblies on page 179
Sensor, environmental PCA	RM1-8622-000CN	Internal assemblies (1 of 6) on page 187

Table 2-19 Alphabetical parts list (continued)

Description	Part number	Table and page
Separation holder assembly	RM1-6303-000CN	Internal assemblies (3 of 6) on page 191
Separation holder assembly	RM1-6303-000CN	500-sheet input tray (Tray 3 and Tray 4) on page 199
Stapler assembly (no cable) (see Stapler assembly on page 43)	5851-0786	Internal assemblies (5 of 6) on page 195
Stapler cable (see Stapler assembly on page 43)	CF116-60106	Internal assemblies (5 of 6) on page 195
Stopper, bushing arm	RC2-7928-000CN	Internal assemblies (1 of 6) on page 187
Switch assembly	RM1-8515-000CN	Internal assemblies (4 of 6) on page 193
Tag holder assembly	RM1-8521-000CN	Internal assemblies (1 of 6) on page 187
Top sensor PCA	RM1-8617-000CN	Internal assemblies (4 of 6) on page 193
Transfer lower guide assembly	RM1-6315-000CN	Internal assemblies (3 of 6) on page 191
Tray 2, paper pickup assembly	RM1-8505-000CN	Internal assemblies (5 of 6) on page 195
Tray pickup roller assembly	RM1-6323-000CN	Internal assemblies (5 of 6) on page 195
Tray sensor PCA	RM1-8620-000CN	Internal assemblies (6 of 6) on page 197
Tray 1 solenoid	RK2-1490-000CN	Internal assemblies (2 of 6) on page 189
Tray 2 solenoid	RK2-1492-000CN	Internal assemblies (2 of 6) on page 189

Numerical parts list

Table 2-20 Numerical parts list

Part number	Description	Table and page
5851-0630	Cover, ADF cable (asset chimney)	Scanner assemblies on page 185
5851-0672	Fax cradle, black plastic	Internal assemblies (5 of 6) on page 195
5851-0786	Stapler assembly (no cable) (see Stapler assembly on page 43)	Internal assemblies (5 of 6) on page 195
5851-3453	Hard drive, bracket	Internal assemblies (5 of 6) on page 195
5851-3499	Fax, cable	Internal assemblies (5 of 6) on page 195
5851-4879	ADF separation pad spring	ADF assemblies on page 183
5851-4998	Mylar kit	ADF assemblies on page 183
8120-0811	Fax, cable, rest of the world	Internal assemblies (5 of 6) on page 195
8120-0844	Fax, cable, Switzerland	Internal assemblies (5 of 6) on page 195
8120-8913	Fax, cable, Israel	Internal assemblies (5 of 6) on page 195
CC355-40013	ADF cover, bogie	ADF assemblies on page 183
CD644-67916	Control panel assembly kit	Control panel assembly on page 181
CE530-69001	Optional 500-sheet tray and feeder unit	500-sheet input tray (Tray 3 and Tray 4) on page 199
CF104-69001	Formatter, standard	Internal assemblies (5 of 6) on page 195
CF116-40002	Cover, rear scanner (rear cover)	Scanner assemblies on page 185
CF116-60104	Cave light	Scanner assemblies on page 185
CF116-60105	Control-panel cable (see Control-panel cable on page 103)	Control panel assembly on page 181
CF116-60106	Stapler cable (see Stapler assembly on page 43)	Internal assemblies (5 of 6) on page 195
CF116-67910	ADF whole unit kit	ADF and scanner assemblies on page 179
CF116-67914	Formatter, standard (China only)	Internal assemblies (5 of 6) on page 195

Table 2-20 Numerical parts list (continued)

Part number	Description	Table and page
CF116-67917	Cover, multipurpose assembly	Covers on page 177
CF116-67918	Scanner whole unit	ADF and scanner assemblies on page 179
CF116-67923	PCA, scanner memory (see Scanner memory PCA (memory board kit) on page 79)	Scanner assemblies on page 185
Q7404-40006	Cover, hatch	ADF assemblies on page 183
Q7404-40007	Cover, ADF rear (cover rear)	ADF assemblies on page 183
Q7404-40020	ADF tray extender (paper stopper)	ADF assemblies on page 183
Q7404-40030	Cover, ADF front (cover front)	ADF assemblies on page 183
Q7404-50007	Assy-harness (ADF cable) (see ADF cable on page 83)	ADF assemblies on page 183
Q7404-60024	ADF hinge assembly	ADF assemblies on page 183
RC2-7673-000CN	Cover, right rear	Covers on page 177
RC2-7675-000CN	Cover, handle, right	Covers on page 177
RC2-7928-000CN	Stopper, bushing arm	Internal assemblies (1 of 6) on page 187
RC2-8575-000CN	Pad, multipurpose separation	Internal assemblies (3 of 6) on page 191
RC3-1863-000CN	Cover, formatter	Covers on page 177
RC3-1920-000CN	Cover, dummy	Covers on page 177
RK2-1490-000CN	Tray 1 solenoid	Internal assemblies (2 of 6) on page 189
RK2-1492-000CN	Tray 2 solenoid	Internal assemblies (2 of 6) on page 189
RK2-1499-000CN	Fan, sub	Internal assemblies (4 of 6) on page 193
RK2-2416-000CN	Fan, main	Internal assemblies (5 of 6) on page 195
RK2-4218-000CN	Cable, flat	Internal assemblies (1 of 6) on page 187
RL1-2412-000CN	Roller, multipurpose	Internal assemblies (3 of 6) on page 191
RM1-6263-000CN	Lower paper feed guide	Internal assemblies (4 of 6) on page 193
RM1-6270-000CN	Paper-feed guide assembly	Internal assemblies (4 of 6) on page 193
RM1-6273-000CN	Position-guide assembly	Internal assemblies (4 of 6) on page 193

Table 2-20 Numerical parts list (continued)

Part number	Description	Table and page
RM1-6279-000CN	Cassette,Tray 3/4	500-sheet input tray (Tray 3 and Tray 4) on page 199
RM1-6301-000CN	Paper delivery roller assembly	Internal assemblies (6 of 6) on page 197
RM1-6303-000CN	Separation holder assembly	Internal assemblies (3 of 6) on page 191
RM1-6303-000CN	Separation holder assembly	500-sheet input tray (Tray 3 and Tray 4) on page 199
RM1-6306-000CN	Base plate roller assembly	Internal assemblies (3 of 6) on page 191
RM1-6306-000CN	Base plate roller assembly	500-sheet input tray (Tray 3 and Tray 4) on page 199
RM1-6311-000CN	Face-down roller assembly	Internal assemblies (6 of 6) on page 197
RM1-6315-000CN	Transfer lower guide assembly	Internal assemblies (3 of 6) on page 191
RM1-6321-000CN	Roller, transfer	Internal assemblies (3 of 6) on page 191
RM1-6322-000CN	Laser/scanner	Internal assemblies (1 of 6) on page 187
RM1-6323-000CN	Tray pickup roller assembly	Internal assemblies (5 of 6) on page 195
RM1-6325-000CN	Multipurpose lifting plate assembly	Covers on page 177
RM1-6598-000CN	Pendulum service kit	Internal assemblies (4 of 6) on page 193
RM1-8498-000CN	Cover, right assembly	Covers on page 177
RM1-8499-000CN	Interlock switch assembly	Internal assemblies (5 of 6) on page 195
RM1-8502-000CN	Door, cartridge assembly	Covers on page 177
RM1-8505-000CN	Tray 2, paper pickup assembly	Internal assemblies (5 of 6) on page 195
RM1-8506-000CN	Idler roller assembly	Internal assemblies (5 of 6) on page 195
RM1-8507-000CN	Registration roller assembly	Internal assemblies (3 of 6) on page 191
RM1-8508-000CN	Fuser assembly (universal)	Internal assemblies (5 of 6) on page 195
RM1-8512-000CN	Cassette, Tray 2	Internal assemblies (3 of 6) on page 191

Table 2-20 Numerical parts list (continued)

Part number	Description	Table and page
RM1-8514-000CN	Low voltage power supply assembly	Internal assemblies (5 of 6) on page 195
RM1-8515-000CN	Switch assembly	Internal assemblies (4 of 6) on page 193
RM1-8516-000CN	Cover, top assembly	Covers on page 177
RM1-8517-000CN	Cover, left assembly	Covers on page 177
RM1-8518-000CN	Cover, rear assembly	Covers on page 177
RM1-8519-000CN	High-voltage power supply PCA	Internal assemblies (4 of 6) on page 193
RM1-8520-000CN	Cover, staple assembly	Covers on page 177
RM1-8521-000CN	Tag holder assembly	Internal assemblies (1 of 6) on page 187
RM1-8523-000CN	Fuser motor assembly	Internal assemblies (6 of 6) on page 197
RM1-8615-000CN	DC controller PCA	Internal assemblies (5 of 6) on page 195
RM1-8617-000CN	Top sensor PCA	Internal assemblies (4 of 6) on page 193
RM1-8618-000CN	Paper width sensor PCA	Internal assemblies (4 of 6) on page 193
RM1-8620-000CN	Tray sensor PCA	Internal assemblies (6 of 6) on page 197
RM1-8621-000CN	Multipurpose sensor PCA	Internal assemblies (5 of 6) on page 195
RM1-8622-000CN	Sensor, environmental PCA	Internal assemblies (1 of 6) on page 187
WG8-5935-000CN	Photo interrupter, IC	Internal assemblies (6 of 6) on page 197

Index

A

- accessories
 - ordering 168
- ADF cable
 - removing 83
- ADF front cover
 - removing 57
- ADF hinge assembly
 - removing 90
- ADF jam access cover
 - removing 74
- ADF PCA
 - removing 73
- ADF pickup roller
 - removing 24
- ADF rear cover
 - removing 59
- ADF roller cover
 - removing 77
- ADF separation pad
 - removing 26
- ADF separation pad spring
 - removing 26
- ADF tray extender
 - removing 72
- ADF whole unit kit
 - removing 87
- after service checklist 5

C

- calibrate
 - image scanner whole unit kit 94
- cartridge
 - ordering 169
 - part number 169
 - removing 12
- cartridge door
 - removing 54

- cassette
 - Tray 2, removing 14
 - Tray 3, removing 14
 - Tray 4, removing 14
- cautions iii
- checklists
 - after service 5
 - preservice 5
- control-panel assembly
 - removing 16
- control-panel cable
 - removing 103
- conventions, document iii

D

- DC controller
 - removing 127
- deskew mylar
 - removing 70
- disk drives
 - removing 31
- document conventions iii
- duplex media-feed
 - removing 108

E

- electrostatic discharge (ESD) 2
- environmental sensor
 - removing 156
- ESD (electrostatic discharge) 2

F

- fasteners
 - screws 172
- fax card and cable
 - removing 29
- foam reflector kit
 - removing 19

- formatter cover
 - removing 37
- formatter PCA
 - removing 38
- fuser
 - removing 105
- fuser motor
 - removing 146

H

- hard drive
 - removing 31
- hardward integration pocket
 - removing 15
- high-voltage power supply (HVPS)
 - removing 158
- HIP
 - removing 15

I

- image scanner whole unit kit
 - calibrating 94
 - removing 91
- install
 - white ADF backing 94
- interlock switch assembly
 - removing 114

L

- laser scanner
 - removing 123
- left cover
 - removing 48
- location
 - covers 176
 - internal assemblies 186
 - optional trays or accessories (base product) 174

low-voltage power supply
removing 131

M

main fan
removing 118

N

notes iii

O

ordering
print cartridge 169
product documents 172
supplies and accessories 168

P

part number
print cartridge 169
part numbers
screws 172
parts
500-sheet input tray 198
control panel 180
covers 176
internal assemblies 186
optional trays or accessories
(base product) 174
pendulum
removing 148
post-service tests 5
power-switch assembly
removing 113
preservice checklist 5
print cartridge
ordering 169
part number 169
print-quality test 5

R

rear cover
removing 56
rear cover assembly
removing 44
rear scanner cover
removing 56
registration roller assembly
removing 111
removing parts
ADF cable 83
ADF front cover 57

ADF hinge assembly 90
ADF jam access cover 74
ADF PCA 73
ADF pickup roller 24
ADF rear cover 59
ADF roller cover 77
ADF separation pad 26
ADF tray extender 72
ADF whole unit kit 87
cartridge door 54
cautions for 2
checklists 5
control-panel assembly 16
control-panel cable 103
DC controller 127
deskew mylar 70
disk drives 31
duplex media-feed 108
environmental sensor 156
fax card and cable 29
foam reflector kit 19
formatter cover 37
formatter PCA 38
fuser 105
fuser motor 146
hard drive 31
hardward integration pocket
15
high-voltage power supply
(HVPS) 158
image scanner whole unit kit
91
interlock switch assembly 114
laser scanner 123
left cover 48
low-voltage power supply 131
main fan 118
pendulum 148
power-switch assembly 113
rear cover 56
rear cover assembly 44
rear scanner cover 56
registration roller assembly
111
right cover assembly 61
right handle cover 66
right-rear cover 50
scanner memory PCA 79
separation mylar 70
service approach 5

solid state memory 34
stapler 43
stapler cover 40
sub cover 12
sub fan 151
substitute stapler cover 42
tag holder assembly 126
toner cartridge 12
top cover 120
transfer roller 102
tray 1 cover 52
Tray 1 pickup roller 95
Tray 1 pickup solenoid 143
Tray 1 separation pad 97
Tray 2 base-plate roller 101
Tray 2 paper pickup assembly
137
Tray 2 pickup roller 98
Tray 2 pickup solenoid 143
Tray 2 separation holder 100
Tray 3 base-plate roller 101
Tray 3 pickup roller 98
Tray 3 separation holder 100
Tray 4 base-plate roller 101
Tray 4 pickup roller 98
Tray 4 separation holder 100
tray cassette 14
tray extender 72
tray sensor PCA 116
USB cover 15
white ADF backing 19

repair approach 5
replacing parts
cautions for 2
service approach 5
right cover assembly
removing 61
right handle cover
removing 66
right-rear cover
removing 50

S

scanner memory PCA
removing 79
screwdrivers, required 3
screws
part numbers 172
replacing 2
types of 3

- separation mylar
 - removing 70
- service
 - approach 5
- solid state memory
 - removing 34
- stapler
 - removing 43
- stapler cover
 - removing 40
- static precautions 2
- sub cover
 - removing 12
- sub fan
 - removing 151
- substitute stapler cover
 - removing 42
- supplies
 - ordering 168

T

- tag holder assembly
 - removing 126
- tests
 - post-service 5
 - print-quality 5
- tips iii
- toner cartridge
 - removing 12
- tools, required 3
- top cover
 - removing 120
- transfer roller
 - removing 102
- tray 1 cover
 - removing 52
- Tray 1 pickup roller
 - removing 95
- Tray 1 pickup solenoid
 - removing 143
- Tray 1 separation pad
 - removing 97
- Tray 2 base-plate roller
 - removing 101
- Tray 2 paper pickup assembly
 - removing 137
- Tray 2 pickup roller
 - removing 98
- Tray 2 pickup solenoid
 - removing 143

- Tray 2 separation holder
 - removing 100
- Tray 3 base-plate roller
 - removing 101
- Tray 3 pickup roller
 - removing 98
- Tray 3 separation holder
 - removing 100
- Tray 4 base-plate roller
 - removing 101
- Tray 4 pickup roller
 - removing 98
- Tray 4 separation holder
 - removing 100
- tray extender
 - removing 72
- tray sensor PCA
 - removing 116
- trays
 - removing 14
- troubleshooting
 - service approach 5

U

- USB cover
 - removing 15

W

- warnings iii
- white ADF backing
 - installing 94
 - removing 19



CF116-90902

