



# LASERJET ENTERPRISE 500 COLOR MFP

## Repair Manual



M575





# HP LaserJet Enterprise 500 color MFP M575 Printers

Repair Manual

## Copyright and License

© 2012 Copyright Hewlett-Packard Development Company, L.P.

Reproduction, adaptation, or translation without prior written permission is prohibited, except as allowed under the copyright laws.

The information contained herein is subject to change without notice.

The only warranties for HP products and services are set forth in the express warranty statements accompanying such products and services. Nothing herein should be construed as constituting an additional warranty. HP shall not be liable for technical or editorial errors or omissions contained herein.

Part number: CD644-90966

Edition 1, 5/2012

## Trademark Credits

Adobe®, Adobe Photoshop®, Acrobat®, and PostScript® are trademarks of Adobe Systems Incorporated.

Apple and the Apple logo are trademarks of Apple Computer, Inc., registered in the U.S. and other countries. iPod is a trademark of Apple Computer, Inc. iPod is for legal or rightholder-authorized copying only. Don't steal music.

Microsoft®, Windows®, Windows® XP, and Windows Vista® are U.S. registered trademarks of Microsoft Corporation.


PANTONE® is Pantone, Inc's check-standard trademark for color.

UNIX® is a registered trademark of The Open Group.


ENERGY STAR and the ENERGY STAR mark are registered U.S. marks.


## Conventions used in this guide

---

 **TIP:** Tips provide helpful hints or shortcuts.

 **NOTE:** Notes provide important information to explain a concept or to complete a task.

 **CAUTION:** Cautions indicate procedures that you should follow to avoid losing data or damaging the product.

 **WARNING!** Warnings alert you to specific procedures that you should follow to avoid personal injury, catastrophic loss of data, or extensive damage to the product.

---



---

# Table of contents

<b>1 Removal and replacement .....</b>	<b>1</b>
Introduction .....	2
Removal and replacement strategy .....	2
General cautions during removal and replacement .....	2
Electrostatic discharge .....	3
Required tools .....	3
Types of screws .....	3
Service approach .....	5
Before performing service .....	6
After performing service .....	6
Post-service test .....	7
Print-quality test .....	7
Copy-quality test .....	7
DC controller PCA .....	8
Parts removal order .....	9
Removal and replacement procedures .....	11
Customer self repair (CSR) components .....	11
Toner cartridges .....	11
Staple cartridge .....	13
Duplex-reverse guide .....	14
Toner-collection unit .....	15
Formatter PCA .....	17
Fax PCA and cable .....	18
Remove the fax PCA and cable .....	18
Hard drive .....	20
Remove the HDD .....	20
Install a replacement hard drive .....	22
Tray 2 and 3 .....	23
Fuser .....	24
Pickup roller and separation pad (Tray 1) .....	25
Pickup roller (Tray 2) .....	27
Pickup and feed rollers (Tray 3) .....	29

Separation roller (Tray 2) .....	31
Secondary transfer roller .....	32
Reinstall the transfer roller .....	33
Intermediate transfer belt (ITB) .....	34
Front-door assembly .....	37
Foam reflector kit (white ADF backing) .....	38
ADF pickup roller .....	39
ADF separation pad and spring .....	41
Control panel .....	44
Right door (optional paper feeder) .....	47
External panels, covers, and doors .....	49
Identification and location .....	49
Control-panel USB cover .....	50
Control-panel HIP (hardward integration pocket) .....	51
Front-upper cover .....	52
Remove the front-upper cover .....	52
Stapler cover .....	54
Remove the stapler cover .....	54
Right-door assembly .....	55
Right-rear cover .....	59
Left cover .....	61
Rear-upper cover .....	64
Left-upper cover .....	66
Remove the left-upper cover .....	66
Rear cover .....	67
Remove the rear cover .....	67
Right-front cover .....	69
Remove the right-front cover .....	69
Delivery cover .....	73
Remove the delivery cover .....	73
Right-top cover .....	75
Remove the right-top cover .....	75
Upper-right cover .....	77
Remove the upper-right cover .....	77
Front-top cover .....	79
Remove the front-top cover .....	79
Rear-top cover .....	81
Remove the rear-top cover .....	81
ADF assemblies and scanner .....	83
Cover front (ADF front cover) .....	83
Cover rear (ADF rear cover) .....	85

Deskew mylar and separation mylar .....	87
ADF tray extender .....	89
ADF PCA .....	90
ADF jam-access cover .....	91
ADF roller cover .....	94
ADF whole unit kit .....	97
Reinstall the ADF .....	99
ADF hinge assy .....	100
Scanner-control board (SCB) .....	101
Remove the SCB .....	101
Image scanner whole unit kit .....	103
Remove the scanner assembly .....	103
Reinstall the scanner .....	105
Internal assemblies .....	107
Stapler assembly .....	107
Remove the stapler assembly .....	107
Interconnect board (ICB) .....	108
Remove the ICB .....	108
DC controller PCA and tray .....	110
Remove the DC controller PCA and tray .....	110
Low-voltage power supply (LVPS) .....	113
Remove the LVPS .....	113
Delivery fan, cartridge fan, and environmental sensor .....	118
Remove the delivery fan, cartridge fan, and environmental sensor ..	118
Toner-collection sensor .....	123
Remove the toner-collection sensor .....	123
Residual-toner-feed motor .....	126
Remove the residual-toner-feed motor .....	126
Secondary transfer assembly .....	131
Reinstall the secondary transfer assembly .....	132
Lower pickup guide .....	133
Remove the lower pickup guide .....	133
Reinstall the lower pickup guide .....	136
Registration density (RD) sensor assembly .....	137
Remove the RD sensor assembly .....	137
Power-supply fan and fan duct .....	141
Remove the power-supply fan and fan duct .....	141
Registration assembly .....	144
Remove the registration assembly .....	144
High-voltage power supply lower .....	149
Remove the high-voltage power supply lower .....	149

Developing-disengagement motor .....	152
Remove the developing-disengagement motor .....	152
Pickup motor .....	154
Remove the pickup motor .....	154
Lifter-drive assembly .....	155
Remove the lifter-drive assembly .....	155
Tray-pickup drive assembly .....	157
Remove the tray-pickup drive assembly .....	157
Tray-pickup assembly .....	164
Remove the tray-pickup assembly .....	164
Laser/scanner assembly (Y/M) .....	166
Remove the laser/scanner assembly (Y/M) .....	166
Laser/scanner assembly (C/Bk) .....	173
Remove the laser/scanner assembly (C/Bk) .....	174
High-voltage power supply upper .....	181
Remove the high-voltage power supply upper .....	181
Drum motor 1 .....	185
Remove the drum motor 1 .....	185
Drum motor 2 or drum motor 3 .....	186
Remove the drum motor 2 or drum motor 3 .....	186
Fuser motor .....	187
Remove the fuser motor .....	187
Main-drive assembly .....	188
Remove the main-drive assembly .....	189
Fuser-drive assembly .....	199
Remove the fuser-drive assembly .....	200
Delivery assembly .....	204
Remove the delivery assembly .....	205
Duplex-drive assembly .....	209
Remove the duplex-drive assembly .....	210
Optional paper feeder assembly (Tray 3) .....	211
Drawer connector .....	211

## **2 Parts and diagrams ..... 213**

Order parts, accessories, and supplies .....	214
Orderable parts .....	215
Accessories .....	215
Print cartridges and toner collection unit .....	215
Memory .....	216
Customer self repair (CSR) and service kits .....	216
Related documentation and software .....	220

Fasteners used in this product .....	220
How to use the parts lists and diagrams .....	221
Assembly locations .....	222
Base product (no optional trays or accessories) .....	222
Base product (optional trays or accessories) .....	223
Covers .....	224
ADF and scanner assemblies .....	226
Control panel assembly .....	228
ADF assemblies .....	230
Scanner assemblies .....	232
Right-door assembly .....	234
Internal assemblies .....	236
Internal assemblies (1 of 6) .....	236
Internal assemblies (2 of 6) .....	238
Internal assemblies (3 of 6) .....	240
Internal assemblies (4 of 6) .....	242
Internal assemblies (5 of 6) .....	244
Internal assemblies (6 of 6) .....	246
Tray 2 .....	248
Paper pickup assembly .....	250
PCAs .....	252
Assessories .....	254
1 x 500-sheet paper feeder .....	254
Paper feeder covers .....	256
Paper feeder main body .....	258
Paper feeder tray .....	260
Paper feeder PCA .....	262
Alphabetical parts list .....	264
Numerical parts list .....	273

<b>Index .....</b>	<b>283</b>
--------------------	------------



---

# List of tables

Table 1-1	DC controller connectors .....	8
Table 1-2	External panels, covers, doors, and scanner assembly; identification and location .....	49
Table 2-1	Accessories .....	215
Table 2-2	Related documentation and software .....	220
Table 2-3	Common fasteners .....	220
Table 2-4	Optional 500-sheet input tray .....	223
Table 2-5	External covers, panels, and doors .....	225
Table 2-6	ADF and scanner assemblies .....	227
Table 2-7	Control panel assembly .....	229
Table 2-8	ADF assemblies .....	231
Table 2-9	Scanner assemblies .....	233
Table 2-10	Right-door assembly .....	235
Table 2-11	Internal assemblies (1 of 6) .....	237
Table 2-12	Internal assemblies (2 of 6) .....	239
Table 2-13	Internal assemblies (3 of 6) .....	241
Table 2-14	Internal assemblies (4 of 6) .....	243
Table 2-15	Internal assemblies (5 of 6) .....	245
Table 2-16	Internal assemblies (6 of 6) .....	247
Table 2-17	Tray 2 .....	249
Table 2-18	Paper pickup assembly (Tray 2) .....	251
Table 2-19	PCAs .....	253
Table 2-20	1 x 500-sheet paper feeder .....	255
Table 2-21	Paper feeder covers .....	257
Table 2-22	Paper feeder main body .....	259
Table 2-23	Tray .....	261
Table 2-24	Paper feeder PCA .....	263
Table 2-25	Alphabetical parts list .....	264
Table 2-26	Numerical parts list .....	273



---

# List of figures

Figure 1-1	Phillips and Pozidriv screwdriver comparison .....	3
Figure 1-2	DC controller PCA .....	8
Figure 1-3	Parts removal order (CSRs and external covers) (1 of 3) .....	9
Figure 1-4	Parts removal order (ADF/scanner assemblies) (2 of 3) .....	9
Figure 1-5	Parts removal order (Internal assemblies) (3 of 3) .....	10
Figure 1-6	Remove the toner cartridge (1 of 2) .....	11
Figure 1-7	Remove the toner cartridge (2 of 2) .....	12
Figure 1-8	Remove the staple cartridge .....	13
Figure 1-9	Remove the duplex-reverse guide (1 of 2) .....	14
Figure 1-10	Remove the duplex-reverse guide (2 of 2) .....	14
Figure 1-11	Remove the toner-collection unit (1 of 4) .....	15
Figure 1-12	Remove the toner-collection unit (2 of 4) .....	15
Figure 1-13	Remove the toner-collection unit (3 of 4) .....	16
Figure 1-14	Remove the toner-collection unit (4 of 4) .....	16
Figure 1-15	Remove the formatter .....	17
Figure 1-16	Remove the fax PCA and cable (1 of 2) .....	18
Figure 1-17	Remove the fax PCA and cable (2 of 2) .....	19
Figure 1-18	Remove the HDD (1 of 3) .....	20
Figure 1-19	Remove the HDD (2 of 3) .....	21
Figure 1-20	Remove the HDD (3 of 3) .....	21
Figure 1-21	Remove Tray 2 and 3 (1 of 2) .....	23
Figure 1-22	Remove Tray 2 and 3 (2 of 2) .....	23
Figure 1-23	Remove the fuser (1 of 2) .....	24
Figure 1-24	Remove the fuser (2 of 2) .....	24
Figure 1-25	Remove the pickup roller and separation pad (Tray 1) (1 of 4) .....	25
Figure 1-26	Remove the pickup roller and separation pad (Tray 1) (2 of 4) .....	25
Figure 1-27	Remove the pickup roller and separation pad (Tray 1) (3 of 4) .....	26
Figure 1-28	Remove the pickup roller (Tray 2) (1 of 4) .....	27
Figure 1-29	Remove the pickup roller (Tray 2) (2 of 4) .....	27
Figure 1-30	Remove the pickup roller (Tray 2) (3 of 4) .....	28
Figure 1-31	Remove the pickup roller (Tray 2) (4 of 4) .....	28
Figure 1-32	Remove the Pickup and feed rollers (Tray 3) (1 of 2) .....	29

Figure 1-33	Remove the Pickup and feed rollers (Tray 3) (2 of 2)	30
Figure 1-34	Remove the separation roller (Tray 2)	31
Figure 1-35	Remove the transfer roller (1 of 3)	32
Figure 1-36	Remove the transfer roller (2 of 3)	32
Figure 1-37	Remove the transfer roller (3 of 3)	33
Figure 1-38	Reinstall the transfer roller	33
Figure 1-39	Remove the fuser (1 of 2)	34
Figure 1-40	Remove the intermediate transfer belt (1 of 3)	34
Figure 1-41	Remove the intermediate transfer belt (2 of 3)	35
Figure 1-42	Remove the intermediate transfer belt (3 of 3)	36
Figure 1-43	Remove the front-door assembly (1 of 2)	37
Figure 1-44	Remove the front-door assembly (2 of 2)	37
Figure 1-45	Remove the foam reflector kit (white ADF backing) (1 of 2)	38
Figure 1-46	Remove the foam reflector kit (white ADF backing) (2 of 2)	38
Figure 1-47	Remove the ADF pickup roller (1 of 4)	39
Figure 1-48	Remove the ADF pickup roller (2 of 4)	39
Figure 1-49	Remove the ADF pickup roller (3 of 4)	40
Figure 1-50	Remove the ADF pickup roller (4 of 4)	40
Figure 1-51	Remove the ADF separation pad and ADF separation pad spring (1 of 5)	41
Figure 1-52	Remove the ADF separation pad and ADF separation pad spring (2 of 5)	41
Figure 1-53	Remove the ADF separation pad and ADF separation pad spring (3 of 5)	42
Figure 1-54	Remove the ADF separation pad and ADF separation pad spring (4 of 5)	42
Figure 1-55	Remove the ADF separation pad and ADF separation pad spring (5 of 5)	43
Figure 1-56	Reinstall the ADF separation pad spring	43
Figure 1-57	Remove the control panel (1 of 5)	44
Figure 1-58	Remove the control panel (2 of 5)	44
Figure 1-59	Remove the control panel (3 of 5)	45
Figure 1-60	Remove the control panel (4 of 5)	45
Figure 1-61	Remove the control panel (5 of 5)	46
Figure 1-62	Remove the right door; optional paper feeder (1 of 3)	47
Figure 1-63	Remove the right door; optional paper feeder (2 of 3)	47
Figure 1-64	Remove the right door; optional paper feeder (3 of 3)	48
Figure 1-65	External panels, covers, doors, and scanner assembly; identification and location	49
Figure 1-66	Remove USB cover	50
Figure 1-67	Remove the HIP cover	51
Figure 1-68	Remove the front-upper cover (1 of 4)	52
Figure 1-69	Remove the front-upper cover (2 of 4)	52
Figure 1-70	Remove the front-upper cover (3 of 4)	53
Figure 1-71	Remove the front-upper cover (4 of 4)	53
Figure 1-72	Remove the stapler cover	54
Figure 1-73	Remove the right-door assembly (1 of 8)	55

Figure 1-74	Remove the right-door assembly (2 of 8)	55
Figure 1-75	Remove the right-door assembly (3 of 8)	56
Figure 1-76	Remove the right-door assembly (4 of 8)	56
Figure 1-77	Remove the right-door assembly (5 of 8)	57
Figure 1-78	Remove the right-door assembly (6 of 8)	57
Figure 1-79	Remove the right-door assembly (7 of 8)	58
Figure 1-80	Remove the right-door assembly (8 of 8)	58
Figure 1-81	Remove the right-rear cover (1 of 3)	59
Figure 1-82	Remove the right-rear cover (2 of 3)	59
Figure 1-83	Remove the right-rear cover (3 of 3)	60
Figure 1-84	Remove the left cover (1 of 5)	61
Figure 1-85	Remove the left cover (2 of 5)	61
Figure 1-86	Remove the left cover (3 of 5)	62
Figure 1-87	Remove the left cover (4 of 5)	62
Figure 1-88	Remove the left cover (5 of 5)	63
Figure 1-89	Remove the rear-upper cover (1 of 3)	64
Figure 1-90	Remove the rear-upper cover (2 of 3)	64
Figure 1-91	Remove the rear-upper cover (3 of 3)	65
Figure 1-92	Remove the left-upper cover	66
Figure 1-93	Remove the rear cover (1 of 2)	67
Figure 1-94	Remove the rear cover (2 of 2)	68
Figure 1-95	Remove the right-front cover (1 of 5)	69
Figure 1-96	Remove the right-front cover (2 of 5)	70
Figure 1-97	Remove the right-front cover (3 of 5)	70
Figure 1-98	Remove the right-front cover (4 of 5)	71
Figure 1-99	Remove the right-front cover (5 of 5)	71
Figure 1-100	Reinstall the power button	72
Figure 1-101	Remove the delivery cover (1 of 3)	73
Figure 1-102	Remove the delivery cover (2 of 3)	74
Figure 1-103	Remove the delivery cover (3 of 3)	74
Figure 1-104	Remove the right-top cover (1 of 2)	75
Figure 1-105	Remove the right-top cover (2 of 2)	76
Figure 1-106	Remove the upper-right cover (1 of 2)	77
Figure 1-107	Remove the upper-right cover (2 of 2)	78
Figure 1-108	Remove the front-top cover (1 of 2)	79
Figure 1-109	Remove the front-top cover (2 of 2)	80
Figure 1-110	Remove the rear-top cover (1 of 2)	81
Figure 1-111	Remove the rear-top cover (2 of 2)	82
Figure 1-112	Remove the ADF front cover (1 of 4)	83
Figure 1-113	Remove the ADF front cover (2 of 4)	83
Figure 1-114	Remove the ADF front cover (3 of 4)	84

Figure 1-115	Remove the ADF front cover (4 of 4)	84
Figure 1-116	Remove the ADF rear cover (1 of 4)	85
Figure 1-117	Remove the ADF rear cover (2 of 4)	85
Figure 1-118	Remove the ADF rear cover (3 of 4)	86
Figure 1-119	Remove the ADF rear cover (4 of 4)	86
Figure 1-120	Remove the deskew mylar and separation mylar (1 of 3)	87
Figure 1-121	Remove the deskew mylar and separation mylar (2 of 3)	87
Figure 1-122	Remove the deskew mylar and separation mylar (3 of 3)	88
Figure 1-123	Remove the ADF tray extender (1 of 2)	89
Figure 1-124	Remove the ADF tray extender (2 of 2)	89
Figure 1-125	Remove the ADF PCA	90
Figure 1-126	Remove the ADF jam-access cover (1 of 5)	91
Figure 1-127	Remove the ADF jam-access cover (2 of 5)	91
Figure 1-128	Remove the ADF jam-access cover (3 of 5)	92
Figure 1-129	Remove the ADF jam-access cover (4 of 5)	92
Figure 1-130	Remove the ADF jam-access cover (5 of 5)	93
Figure 1-131	Remove the ADF roller cover (1 of 4)	94
Figure 1-132	Remove the ADF roller cover (2 of 4)	94
Figure 1-133	Remove the ADF roller cover (3 of 4)	95
Figure 1-134	Remove the ADF roller cover (4 of 4)	95
Figure 1-135	Reinstall the ADF roller cover	96
Figure 1-136	Remove the ADF assembly (1 of 2)	97
Figure 1-137	Remove the ADF assembly (2 of 2)	98
Figure 1-138	Remove the ADF hinge assembly	100
Figure 1-139	Remove the SCB (1 of 2)	101
Figure 1-140	Remove the SCB (2 of 2)	101
Figure 1-141	Reinstalling the SCB (1 of 2)	102
Figure 1-142	Reinstalling the SCB (2 of 2)	102
Figure 1-143	Remove the scanner assembly (1 of 6)	103
Figure 1-144	Remove the scanner assembly (2 of 6)	104
Figure 1-145	Remove the scanner assembly (3 of 6)	104
Figure 1-146	Remove the scanner assembly (4 of 6)	105
Figure 1-147	Remove the scanner assembly (5 of 6)	105
Figure 1-148	Remove the stapler assembly	107
Figure 1-149	Remove the ICB (1 of 3)	108
Figure 1-150	Remove the ICB (2 of 3)	109
Figure 1-151	Remove the ICB (3 of 3)	109
Figure 1-152	Remove the DC controller PCA and tray (1 of 4)	110
Figure 1-153	Remove the DC controller PCA and tray (2 of 4)	111
Figure 1-154	Remove the DC controller PCA and tray (3 of 4)	111
Figure 1-155	Remove the DC controller PCA and tray (4 of 4)	112

Figure 1-156	Remove the LVPS (1 of 8)	113
Figure 1-157	Remove the LVPS (2 of 8)	114
Figure 1-158	Remove the LVPS (3 of 8)	114
Figure 1-159	Remove the LVPS (4 of 8)	115
Figure 1-160	Remove the LVPS (5 of 8)	115
Figure 1-161	Remove the LVPS (6 of 8)	116
Figure 1-162	Remove the LVPS (7 of 8)	116
Figure 1-163	Remove the LVPS (8 of 8)	117
Figure 1-164	Remove the delivery fan, cartridge fan, and environmental sensor (1 of 9)	118
Figure 1-165	Remove the delivery fan, cartridge fan, and environmental sensor (2 of 9)	119
Figure 1-166	Remove the delivery fan, cartridge fan, and environmental sensor (3 of 9)	119
Figure 1-167	Remove the delivery fan, cartridge fan, and environmental sensor (4 of 9)	120
Figure 1-168	Remove the delivery fan, cartridge fan, and environmental sensor (5 of 9)	120
Figure 1-169	Remove the delivery fan, cartridge fan, and environmental sensor (6 of 9)	121
Figure 1-170	Remove the delivery fan, cartridge fan, and environmental sensor (7 of 9)	121
Figure 1-171	Remove the delivery fan, cartridge fan, and environmental sensor (8 of 9)	122
Figure 1-172	Remove the delivery fan, cartridge fan, and environmental sensor (9 of 9)	122
Figure 1-173	Remove the toner-collection sensor (1 of 4)	123
Figure 1-174	Remove the toner-collection sensor (2 of 4)	124
Figure 1-175	Remove the toner-collection sensor (3 of 4)	124
Figure 1-176	Remove the toner-collection sensor (4 of 4)	125
Figure 1-177	Remove the residual-toner-feed motor (1 of 7)	126
Figure 1-178	Remove the residual-toner-feed motor (2 of 7)	127
Figure 1-179	Remove the residual-toner-feed motor (3 of 7)	127
Figure 1-180	Remove the residual-toner-feed motor (4 of 7)	128
Figure 1-181	Remove the residual-toner-feed motor (5 of 7)	128
Figure 1-182	Remove the residual-toner-feed motor (6 of 7)	129
Figure 1-183	Remove the residual-toner-feed motor (7 of 7)	129
Figure 1-184	Reinstall the residual-toner collection door	130
Figure 1-185	Remove the transfer roller (1 of 3)	131
Figure 1-186	Remove the secondary transfer assembly (2 of 3)	131
Figure 1-187	Remove the secondary transfer assembly (3 of 3)	132
Figure 1-188	Reinstall the secondary transfer assembly	132
Figure 1-189	Remove the lower pickup guide (1 of 4)	133
Figure 1-190	Remove the lower pickup guide (2 of 4)	134
Figure 1-191	Remove the lower pickup guide (3 of 4)	135
Figure 1-192	Remove the lower pickup guide (4 of 4)	136
Figure 1-193	Remove the RD sensor assembly (1 of 6)	137
Figure 1-194	Remove the RD sensor assembly (2 of 6)	138
Figure 1-195	Remove the RD sensor assembly (3 of 6)	138
Figure 1-196	Remove the RD sensor assembly (4 of 6)	139

Figure 1-197	Remove the RD sensor assembly (5 of 6)	139
Figure 1-198	Remove the RD sensor assembly (6 of 6)	140
Figure 1-199	Remove the power-supply fan (1 of 4)	141
Figure 1-200	Remove the power-supply fan (2 of 4)	142
Figure 1-201	Remove the power-supply fan (3 of 4)	142
Figure 1-202	Remove the power-supply fan (4 of 4)	143
Figure 1-203	Remove the registration assembly (1 of 8)	144
Figure 1-204	Remove the registration assembly (2 of 8)	145
Figure 1-205	Remove the registration assembly (3 of 8)	145
Figure 1-206	Remove the registration assembly (4 of 8)	146
Figure 1-207	Remove the registration assembly (5 of 8)	146
Figure 1-208	Remove the registration assembly (6 of 8)	147
Figure 1-209	Remove the registration assembly (7 of 8)	147
Figure 1-210	Remove the registration assembly (8 of 8)	148
Figure 1-211	Remove the high-voltage power supply lower (1 of 4)	149
Figure 1-212	Remove the high-voltage power supply lower (2 of 4)	150
Figure 1-213	Remove the high-voltage power supply lower (3 of 4)	150
Figure 1-214	Remove the high-voltage power supply lower (4 of 4)	151
Figure 1-215	Reinstall the high-voltage power supply lower	151
Figure 1-216	Remove the developing-disengagement motor (1 of 2)	152
Figure 1-217	Remove the developing-disengagement motor (2 of 2)	153
Figure 1-218	Remove the pickup motor	154
Figure 1-219	Remove the lifter-drive assembly (1 of 2)	155
Figure 1-220	Remove the lifter-drive assembly (2 of 2)	156
Figure 1-221	Remove the tray-pickup drive assembly (1 of 10)	157
Figure 1-222	Remove the tray-pickup drive assembly (2 of 10)	158
Figure 1-223	Remove the tray-pickup drive assembly (3 of 10)	158
Figure 1-224	Remove the tray-pickup drive assembly (4 of 10)	159
Figure 1-225	Remove the tray-pickup drive assembly (5 of 10)	159
Figure 1-226	Remove the tray-pickup drive assembly (6 of 10)	160
Figure 1-227	Remove the tray-pickup drive assembly (7 of 10)	160
Figure 1-228	Remove the tray-pickup drive assembly (8 of 10)	161
Figure 1-229	Remove the tray-pickup drive assembly (9 of 10)	161
Figure 1-230	Remove the tray-pickup drive assembly (10 of 10)	162
Figure 1-231	Reinstall the tray-pickup drive assembly (1 of 3)	162
Figure 1-232	Reinstall the tray-pickup drive assembly (2 of 3)	163
Figure 1-233	Reinstall the tray-pickup drive assembly (3 of 3)	163
Figure 1-234	Remove the tray-pickup assembly (1 of 3)	164
Figure 1-235	Remove the tray-pickup assembly (2 of 3)	165
Figure 1-236	Remove the tray-pickup assembly (3 of 3)	165
Figure 1-237	Remove the laser/scanner assembly (Y/M) (1 of 12)	166

Figure 1-238	Remove the laser/scanner assembly (Y/M) (2 of 12)	167
Figure 1-239	Remove the laser/scanner assembly (Y/M) (3 of 12)	167
Figure 1-240	Remove the laser/scanner assembly (Y/M) (4 of 12)	168
Figure 1-241	Remove the laser/scanner assembly (Y/M) (5 of 12)	168
Figure 1-242	Remove the laser/scanner assembly (Y/M) (6 of 12)	169
Figure 1-243	Remove the laser/scanner assembly (Y/M) (7 of 12)	169
Figure 1-244	Remove the laser/scanner assembly (Y/M) (8 of 12)	170
Figure 1-245	Remove the laser/scanner assembly (Y/M) (9 of 12)	170
Figure 1-246	Remove the laser/scanner assembly (Y/M) (10 of 12)	171
Figure 1-247	Remove the laser/scanner assembly (Y/M) (11 of 12)	171
Figure 1-248	Remove the laser/scanner assembly (Y/M) (12 of 12)	172
Figure 1-249	Remove the laser/scanner assembly (C/Bk) (1 of 7)	174
Figure 1-250	Remove the laser/scanner assembly (C/Bk) (2 of 7)	174
Figure 1-251	Remove the laser/scanner assembly (C/Bk) (3 of 7)	175
Figure 1-252	Remove the laser/scanner assembly (C/Bk) (4 of 7)	175
Figure 1-253	Remove the laser/scanner assembly (C/Bk) (5 of 7)	176
Figure 1-254	Remove the laser/scanner assembly (C/Bk) (6 of 7)	177
Figure 1-255	Remove the laser/scanner assembly (C/Bk) (7 of 7)	178
Figure 1-256	Reinstall the PGC actuators (1 of 5)	178
Figure 1-257	Reinstall the PGC actuators (2 of 5)	179
Figure 1-258	Reinstall the PGC actuators (3 of 5)	179
Figure 1-259	Reinstall the PGC actuators (4 of 5)	180
Figure 1-260	Reinstall the PGC actuators (5 of 5)	180
Figure 1-261	Remove the high-voltage power supply upper (1 of 5)	181
Figure 1-262	Remove the high-voltage power supply upper (2 of 5)	182
Figure 1-263	Remove the high-voltage power supply upper (3 of 5)	182
Figure 1-264	Remove the high-voltage power supply upper (4 of 5)	183
Figure 1-265	Remove the high-voltage power supply upper (5 of 5)	183
Figure 1-266	Reinstall the high-voltage power supply upper	184
Figure 1-267	Remove the drum motor 1	185
Figure 1-268	Remove the drum motor 2 or drum motor 3	186
Figure 1-269	Remove the fuser motor	187
Figure 1-270	Remove the main-drive assembly (1 of 7)	189
Figure 1-271	Remove the main-drive assembly (2 of 7)	189
Figure 1-272	Remove the main-drive assembly (3 of 7)	190
Figure 1-273	Remove the main-drive assembly (4 of 7)	190
Figure 1-274	Remove the main-drive assembly (5 of 7)	191
Figure 1-275	Remove the main-drive assembly (6 of 7)	191
Figure 1-276	Remove the main-drive assembly (7 of 7)	192
Figure 1-277	Reinstall the main-drive assembly (1 of 11)	193
Figure 1-278	Reinstall the main-drive assembly (2 of 11)	193


Figure 1-279	Reinstall the main-drive assembly (3 of 11)	194
Figure 1-280	Reinstall the main-drive assembly (4 of 11)	194
Figure 1-281	Reinstall the main-drive assembly (5 of 11)	195
Figure 1-282	Reinstall the main-drive assembly (6 of 11)	196
Figure 1-283	Reinstall the main-drive assembly (7 of 11)	196
Figure 1-284	Reinstall the main-drive assembly (8 of 11)	197
Figure 1-285	Reinstall the main-drive assembly (9 of 11)	197
Figure 1-286	Reinstall the main-drive assembly (10 of 11)	198
Figure 1-287	Reinstall the main-drive assembly (11 of 11)	198
Figure 1-288	Remove the fuser-drive assembly (1 of 6)	200
Figure 1-289	Remove the fuser-drive assembly (2 of 6)	200
Figure 1-290	Remove the fuser-drive assembly (3 of 6)	201
Figure 1-291	Remove the fuser-drive assembly (4 of 6)	201
Figure 1-292	Remove the fuser-drive assembly (5 of 6)	202
Figure 1-293	Remove the fuser-drive assembly (6 of 6)	202
Figure 1-294	Reinstall the fuser-drive assembly	203
Figure 1-295	Remove the delivery assembly (1 of 5)	205
Figure 1-296	Remove the delivery assembly (2 of 5)	205
Figure 1-297	Remove the delivery assembly (3 of 5)	206
Figure 1-298	Remove the delivery assembly (4 of 5)	206
Figure 1-299	Remove the delivery assembly (5 of 5)	207
Figure 1-300	Reinstall the delivery assembly (1 of 2)	208
Figure 1-301	Reinstall the delivery assembly (2 of 2)	208
Figure 1-302	Remove the duplex-drive assembly (1 of 2)	210
Figure 1-303	Remove the duplex-drive assembly (2 of 2)	210
Figure 1-304	Remove the drawer connector; optional paper feeder	211
Figure 2-1	Base product (no optional trays or accessories)	222
Figure 2-2	Base product (optional trays or accessories)	223
Figure 2-3	External covers, panels, and doors	224
Figure 2-4	ADF and scanner assemblies	226
Figure 2-5	Control panel assembly	228
Figure 2-6	ADF assemblies	230
Figure 2-7	Scanner assemblies	232
Figure 2-8	Right-door assembly	234
Figure 2-9	Internal assemblies (1 of 6)	236
Figure 2-10	Internal assemblies (2 of 6)	238
Figure 2-11	Internal assemblies (3 of 6)	240
Figure 2-12	Internal assemblies (4 of 6)	242
Figure 2-13	Internal assemblies (5 of 6)	244
Figure 2-14	Internal assemblies (6 of 6)	246
Figure 2-15	Tray 2	248

Figure 2-16	Paper pickup assembly (Tray 2) .....	250
Figure 2-17	PCAs .....	252
Figure 2-18	1 x 500-sheet paper feeder .....	254
Figure 2-19	Paper feeder covers .....	256
Figure 2-20	Paper feeder main body .....	258
Figure 2-21	Tray .....	260
Figure 2-22	Paper feeder PCA .....	262



---

# 1 Removal and replacement

 **NOTE:** Your product might not appear exactly as the one shown in the photos in this chapter. Although some photos do not show the ADF/scanner unit, the procedures in this chapter are appropriate for your product.

---

- [Introduction](#)
- [Removal and replacement strategy](#)
- [Service approach](#)
- [Removal and replacement procedures](#)

# Introduction

This chapter describes the removal and replacement of field-replaceable units (FRUs) only.

Replacing FRUs is generally the reverse of removal. Occasionally, notes and tips are included to provide directions for difficult or critical replacement procedures.

HP does *not* support repairing individual subassemblies or troubleshooting to the component level.

Note the length, diameter, color, type, and location of each screw. Be sure to return each screw to its original location during reassembly.

Incorrectly routed or loose wire harnesses can interfere with other internal components and can become damaged or broken. Frayed or pinched harness wires can be difficult to find. When replacing wire harnesses, always use the provided wire loops, lance points, or wire-harness guides and retainers.


## Removal and replacement strategy

### General cautions during removal and replacement

This chapter describes the removal and replacement of field-replaceable units (FRUs) only.


Replacing FRUs is generally the reverse of removal. Occasionally, notes and tips are included to provide directions for difficult or critical replacement procedures.

HP does *not* support repairing individual subassemblies or troubleshooting to the component level.


 **WARNING!** Turn the product off, wait 5 seconds, and then remove the power cable before attempting to service the product. If this warning is not followed, severe injury can result, in addition to damage to the product. The power must be on for certain functional checks during troubleshooting. However, disconnect the power supply during parts removal.

Never operate or service the product with the protective cover removed from the laser scanner assembly. The reflected beam, although invisible, can damage your eyes.


The sheet-metal parts can have sharp edges. Be careful when handling sheet-metal parts.

 **CAUTION:** Do not bend or fold the flat flexible cables (FFCs) during removal or installation. Also, do not straighten prefolds in the FFCs. You *must* fully seat all FFCs in their connectors. Failure to fully seat an FFC into a connector can cause a short circuit in a PCA.



Incorrectly routed or loose wire harnesses can interfere with other internal components and can become damaged or broken. Frayed or pinched harness wires can be difficult to find. When replacing wire harnesses, always use the provided wire loops, lance points, or wire-harness guides and retainers.

 **NOTE:** To install a self-tapping screw, first turn it counterclockwise to align it with the thread pattern, and then carefully turn it clockwise to tighten. Do not overtighten. If a self-tapping screw-hole becomes stripped, repair the screw-hole or replace the affected assembly.

Note the length, diameter, color, type, and location of each screw. Be sure to return each screw to its original location during reassembly.

 **TIP:** For clarity, some photos in this chapter might show components removed that would not be removed to service the product. If necessary, remove the components listed at the beginning of a procedure before proceeding to service the product.


## Electrostatic discharge

 **CAUTION:**  Some parts are sensitive to electrostatic discharge (ESD). Look for the ESD reminder when removing product parts. Always perform service work at an ESD-protected workstation or mat, or use an ESD strap. If an ESD workstation, mat, or strap is not available, ground yourself by touching the sheet-metal chassis *before* touching an ESD-sensitive part.

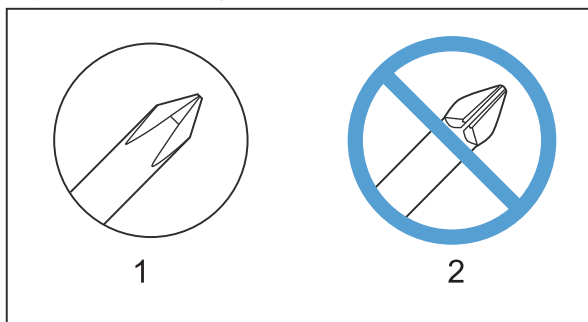
Protect the ESD-sensitive parts by placing them in ESD pouches when they are out of the product.

## Required tools

- #1 Phillips screwdriver with a magnetic tip and a 152-mm (6-inch) shaft length
- #2 Phillips screwdriver with a magnetic tip and a 152-mm (6-inch) shaft length
- Small flat blade screwdriver
- Needle-nose pliers
- ESD mat or ESD strap (if one is available)
- Penlight (optional)

 **CAUTION:** Always use a Phillips screwdriver (callout 1). Do not use a Pozidriv® screwdriver (callout 2) or any motorized screwdriver. These can damage screws or screw threads.

**Figure 1-1** Phillips and Pozidriv screwdriver comparison



## Types of screws




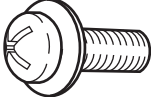
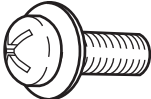
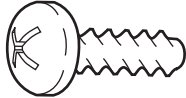
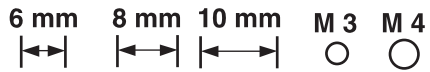
 **NOTE:** The illustration in this section are for reference only. The screws in your product might look slightly different.

Illustration	Description	Size	Part number	Use
--------------	-------------	------	-------------	-----

	Screw with washer	M3X6	XB2-7300-000CN	Used to secure metal components to metal components (for example, a ground wire to the frame)
	Screw, tapping	M3X6	XA9-1503-000CN	
	Screw	D-M3X6	XA9-1671-000CN	
	Screw	P-M3X8	XB4-5300-807CN	
	Screw, tapping, truss head	M4X10	XB4-7401-005CN	Used to secure anything to plastic



# Service approach

Product repair normally begins by using the product internal diagnostics and the following two-step process:

1. Isolate the problem to the major system (for example, the network or server, or the product).
2. Troubleshoot the problem by using the procedures in the solve problems chapter.

After you find a faulty part, the product can usually be repaired at the assembly level by replacing field-replaceable units (FRUs). Some mechanical assemblies might need to be repaired at the subassembly level.

## Before performing service

- Remove all media from the product.
- Turn off the power using the power switch.
- Unplug the power cable and interface cable or cables.
- Place the product on an ESD workstation or mat, or use an ESD strap (if one is available). If an ESD workstation, mat, or strap is not available, ground yourself by touching the sheet-metal chassis *before* touching an ESD-sensitive part.
- Remove the toner cartridges. See [Toner cartridges on page 11](#).
- Remove the tray or trays. See [Tray 2 and 3 on page 23](#).

## After performing service

- Plug in the power cable.
- Reinstall the toner cartridges.
- Reinstall the tray or trays.
- If the optional paper feeder was installed, place the product on the feeder.



---

**NOTE:** Your product might not appear exactly as the one shown in the photos in this chapter. Although some photos do not show the ADF/scanner unit, the procedures in this chapter are appropriate for your product.

---

## Post-service test

Perform the following test to verify that the repair or replacement was successful.



**NOTE:** Your product might not appear exactly as the one shown in the photos in this chapter. Although some photos do not show the ADF/scanner unit, the procedures in this chapter are appropriate for your product.

## Print-quality test

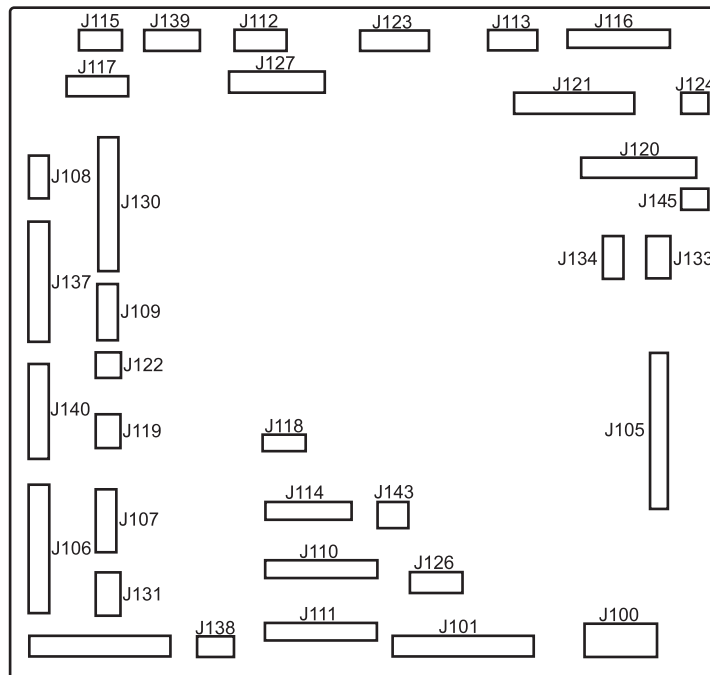
1. Verify that you have completed the necessary reassembly steps.
2. Make sure that the tray contains clean, unmarked paper.
3. Attach the power cord and interface cable or interface cables, and then turn on the product.
4. Verify that the expected startup sounds occur.
5. Print a configuration page, and then verify that the expected printing sounds occur.
6. Print a demo page, and then verify that the print quality is as expected.
7. Send a print job from the host computer, and then verify that the output meets expectations.
8. If necessary, restore any customer-specified settings.
9. Clean the outside of the product with a damp cloth.

## Copy-quality test

1. Verify that you have completed the necessary reassembly steps.
2. Ensure that the input tray contains clean, unmarked paper.
3. Attach the power cord, and then turn on the product.
4. Verify that the expected start-up sounds occur.
5. Print a configuration page, and then verify that the expected printing sounds occur.
6. Place the configuration page in the ADF.
7. Print a copy job, and then verify the results.
8. Place the configuration page on the scanner glass.
9. Print a copy job, and then verify the results.
10. Clean the outside of the product with a damp cloth.

## DC controller PCA

Figure 1-2 DC controller PCA



<b>J100:</b> 24 v from low-voltage power supply (LVPS) and interlock	<b>J114:</b> HVPS lower	<b>J126:</b> memory tag connector
<b>J101:</b> LVPS	<b>J115:</b> fuser sensors	<b>J127:</b> pre-exposure LEDs (rear), SR17, SL1
<b>J105:</b> interconnect board (ICB)	<b>J116:</b> HVPS upper	<b>J130:</b> registration density (RD) sensors (front and rear)
<b>J106:</b> 500-sheet feeder, developing home position, laser motors	<b>J117:</b> fuser motor	<b>J131:</b> pickup motor
<b>J107:</b> duplex sensor, tray 1 solenoid, paper present sensor	<b>J118:</b> 5 v interlock	<b>J133:</b> not used
<b>J108:</b> environmental sensor	<b>J119:</b> LVPS fan	<b>J134:</b> not used
<b>J109:</b> duplex clutch, overhead transparency (OHT) in, top-of-page sensor	<b>J120:</b> drum motor 1 and drum motor 2	<b>J137:</b> toner collection unit (TCU) full, TCU motor, toner level detection
<b>J110:</b> YM laser	<b>J121:</b> drum motor 3, drum position 1,2,3	<b>J138:</b> 24 v to HVPS lower
<b>J111:</b> CK laser	<b>J122:</b> OHT out	<b>J139:</b> fuser sensors
<b>J112:</b> pre-exposure LEDs (front)	<b>J123:</b> pressure release, bin full, fuser delivery	<b>J140:</b> lift motor, tray present, stack surface
<b>J113:</b> 24 v to high-voltage power supply (HVPS) upper	<b>J124:</b> 24 v to scanner	<b>J143:</b> 24 v present from LVPS
		<b>J145:</b> 24v to stapler

## Parts removal order

**Figure 1-3** Parts removal order (CSRs and external covers) (1 of 3)

Assembly	Remove	Remove	Remove	Remove	Remove	Remove	Remove	Remove	Remove
Toner cartridges									
Stapler cartridge									
Duplex reverse guide									
Toner collection unit (TCU)									
Formatter									
Hard drive (HDD)	Formatter								
Fax PCA and cable	Formatter								
Tray 2-3 cassettes									
Fuser									
Tray 1 pickup roller	Roller cover								
Tray 2 pickup and separation rollers	Tray 2								
Tray 3 pickup, feed, and separation rollers	Tray 3								
Secondary transfer rollers									
Secondary transfer assembly (T2)									
Intermediate transfer belt (ITB)									
Front-door assembly									
ADF separation pad and ADF separation pad spring									
Control panel									
USB cover									
HIP cover									
Front-upper cover									
Stapler cover									
Right-door assembly									
Right-rear cover									
Left cover	Formatter								
Rear-upper cover									
Left-upper cover	Rear-upper cover								
Rear cover	Right-rear cover	Left cover	Rear-upper cover						
Right-front cover	Front-upper cover								
ADF whole unit	Rear-upper cover								
SCB	Rear-upper cover								
Image scanner whole unit	Stapler cover	Rear-upper cover	Left-upper cover	Document feeder	SCB				
Delivery cover	Stapler cover	Front-upper cover	Rear-upper cover	Left-upper cover	Document feeder	SCB	Scanner	Upper-right cover	
Right-top cover	Stapler cover	Rear-upper cover	Left-upper cover	Document feeder	SCB	Scanner			
Upper-right cover	Stapler cover	Rear-upper cover	Left-upper cover	Document feeder	SCB	Scanner			
Front-top cover	Stapler cover	Rear-upper cover	Left-upper cover	Front-upper cover	Left cover	Document feeder	SCB	Scanner	
Rear-top cover	Stapler cover	Rear-upper cover	Left-upper cover	Rear cover	Document feeder	SCB	Scanner	Delivery cover	Front top cover

**Figure 1-4** Parts removal order (ADF/scanner assemblies) (2 of 3)


Assembly	Remove	Remove
ADF front cover		
ADF rear cover		
Mylar		
Foam reflector		
ADF tray extender		
ADF PCA	ADF rear cover	
ADF jam-access cover		
Roller door	ADF jam-access cover	
Stoppers	ADF jam-access cover	
ADF handle	ADF jam-access cover	
Photosensor	ADF jam-access cover	
ADF tray cover		
Legal flag and sensor	ADF tray cover	
ADF paper guides	ADF tray cover	
Assy hinge	Rear-upper cover	ADF whole unit
ADF pick success sensor assy	Rear-upper cover	ADF whole unit

**Figure 1-5** Parts removal order (Internal assemblies) (3 of 3)


Assembly	Remove	Remove	Remove	Remove	Remove	Remove	Remove	Remove	Remove
Stapler assembly	Stapler cover								
Interconnect board (ICB)	TCU	Formatter	Right-rear cover	Left cover	Rear-upper cover	Rear cover			
DC controller (DCC) and tray (optional)	TCU	Formatter	Right-rear cover	Left cover	Rear-upper cover	Rear cover	ICB	LVPS (if removing tray)	
LVPS	TCU	Formatter	Right-rear cover	Left cover	Rear-upper cover	Rear cover	ICB		
Delivery fan, cartridge fan, and environmental sensor	TCU	Left cover							
Toner collection sensor	TCU	Left cover							
Residual-toner feed motor	TCU	ITB	Left cover						
Registration density (RD) sensor	T2	ITB							
Power supply (PS) fan and fan duct	TCU	Right-rear cover	Left cover	Rear-upper cover	Rear cover				
Registration assembly	TCU	T2	ITB	Right-rear cover	Left cover	Rear-upper cover	Rear cover	RD sensor	PS fan and duct
High-voltage power supply (HVPS) lower	TCU Formatter Right-rear cover	ICB	LVPS						
Developing-disengagement motor		ICB	LVPS	HVPS-lower					
Pickup motor		ICB	LVPS	HVPS-lower					
Lifter-drive assembly		ICB	LVPS	HVPS-lower					
Cassette pickup drive assembly		Left cover	ICB	LVPS	HVPS-lower				
Laser scanner (Y/M)		Rear-upper cover	ICB	LVPS	HVPS-lower				
Laser scanner (C/Bk)		Rear cover	ICB	LVPS	HVPS-lower	Lifter-drive	Laser scanner (Y/M)		
Cassette pickup assembly		ICB	LVPS	Registration assembly	HVPS-lower	Cassette-pickup drive assembly			
High-voltage power supply (HVPS) upper	TCU Formatter Right-rear cover	Rear-upper cover Rear cover	ICB DCC LVPS						
Drum motors 1, 2, or 3	Right-rear cover Left cover			HVPS-upper					
Fuser motor				HVPS-upper					
Main-drive assembly	TCU Formatter Fuser T2 ITB	Right-rear cover Left cover Rear-upper cover Rear cover	ICB DCC and tray PS fan and duct LVPS HVPS lower and upper						
Fuser-drive assembly			Document feeder SCB Scanner	Main drive					
Delivery assembly	TCU Formatter Fuser T2 ITB Front-upper cover Right-rear cover	Left cover Stapler cover Rear-upper cover Left-upper cover Rear cover	Front-top cover Rear-top cover PS fan and duct ICB	Main drive	Fuser drive				
Duplex-drive assembly			DCC and tray LVPS HVPS lower and upper	Main drive	Fuser drive	Delivery assembly			

# Removal and replacement procedures

## Customer self repair (CSR) components

 **NOTE:** Your product might not appear exactly as the one shown in the photos in this chapter. Although some photos do not show the ADF/scanner unit, the procedures in this chapter are appropriate for your product.

## Toner cartridges

 **CAUTION:** If toner gets on your clothing, wipe it off with a dry cloth and wash clothing in cold water. *Hot water sets toner into fabric.*

1. Open the front door. Make sure that the door is completely open.

**Figure 1-6** Remove the toner cartridge (1 of 2)

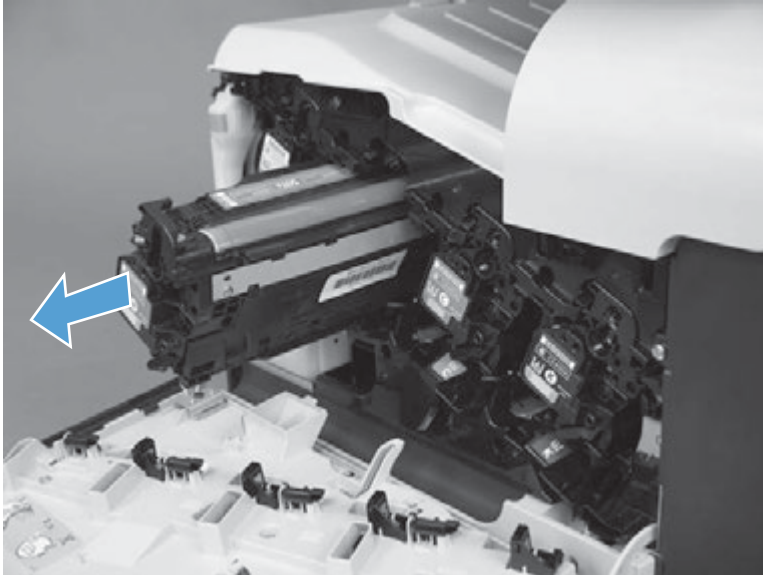


2. Grasp the toner-cartridge handle and pull out to remove.

**⚠ CAUTION:** Do not touch the green roller. Doing so can damage the cartridge. Do not expose the cartridge to strong light. Cover the cartridge with a sheet of paper to protect it from light.

**💡 Reinstallation tip** Align the toner cartridge with its slot and insert the toner cartridge until it clicks into place.

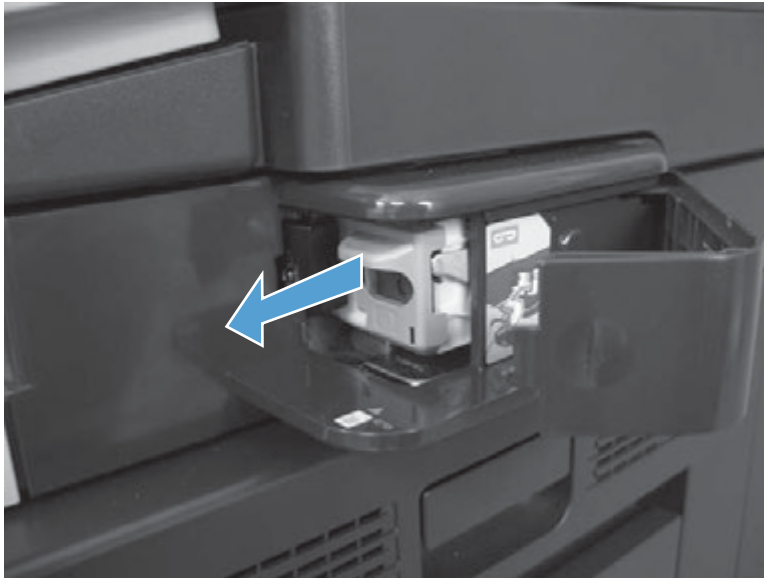
**Figure 1-7** Remove the toner cartridge (2 of 2)



## Staple cartridge

Open the stapler door, and then remove the staple cartridge.

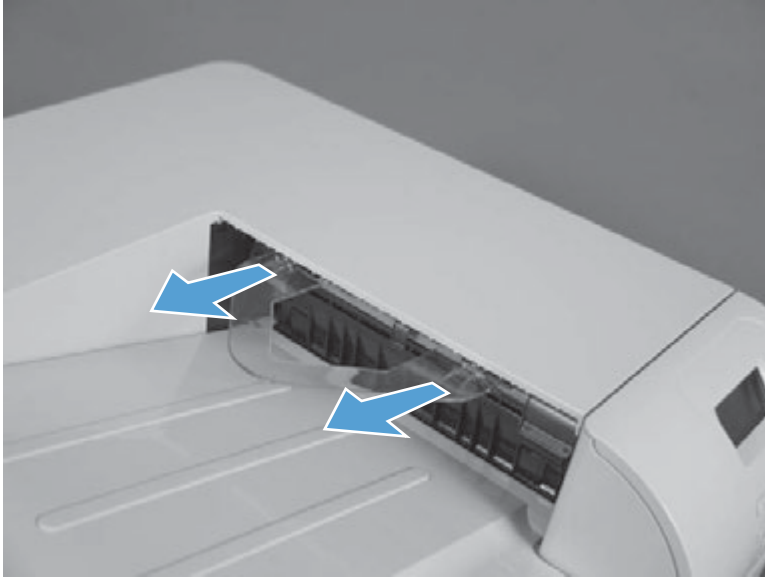
**Figure 1-8** Remove the staple cartridge



## Duplex-reverse guide

1. Grasp the duplex-reverse guide and pull it away from the product to release it.

**Figure 1-9** Remove the duplex-reverse guide (1 of 2)




2. Remove the guide.

**Figure 1-10** Remove the duplex-reverse guide (2 of 2)



## Toner-collection unit


 **NOTE:** The toner-collection unit is designed for a single use. Do not try to empty the toner-collection unit and reuse it. Doing so could cause toner to spill inside the product and result in reduced print quality. For recycling information, see the product user guide.

1. Open the front door. Make sure that the door is completely open.

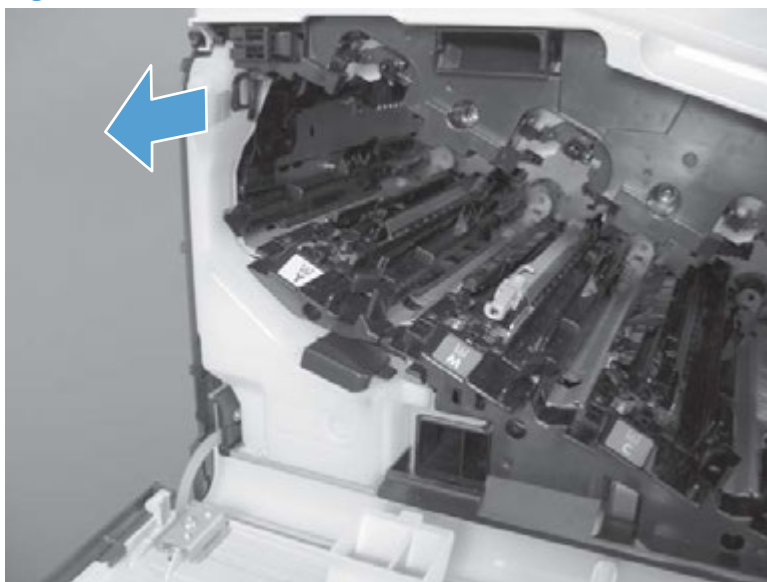
**Figure 1-11** Remove the toner-collection unit (1 of 4)



2. Grasp the blue label at the top of the toner-collection unit and remove it from the product.

 **Reinstallation tip** Insert the bottom of the replacement unit into the product first and then push the top of the unit until it clicks into place. If the toner-collection unit is installed incorrectly, the front door will not close completely.

**Figure 1-12** Remove the toner-collection unit (2 of 4)



3. To prevent toner spills, place the blue cap (callout 1) over the blue opening at the top of the unit (callout 2).

**Figure 1-13** Remove the toner-collection unit (3 of 4)



**Figure 1-14** Remove the toner-collection unit (4 of 4)

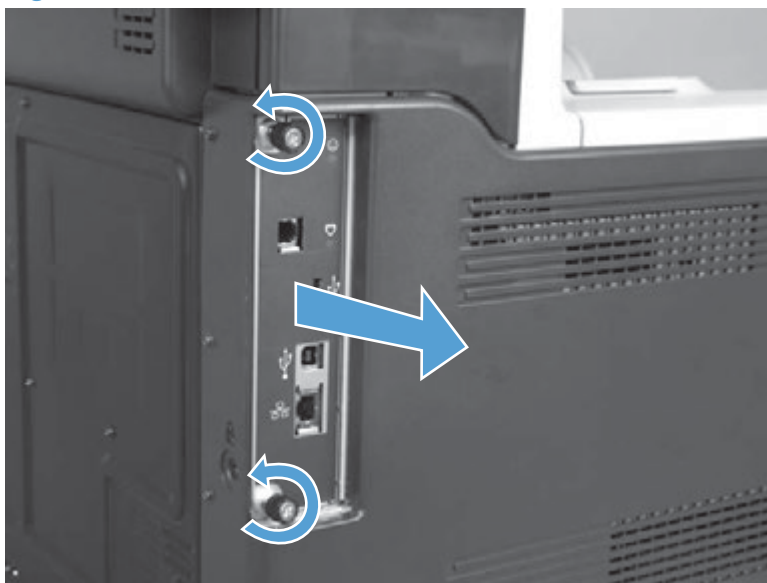



## Formatter PCA

 **CAUTION:**  ESD sensitive component.

1. Turn the product off and disconnect the power and interface cable or interface cables.
2. Unscrew the formatter thumb screws, and then firmly pull the formatter from the product. Place the formatter on a clean, flat, grounded surface.

**Figure 1-15** Remove the formatter



 **NOTE:** When reinstalling the formatter, push firmly on the right side to make sure the formatter is seated.

## Fax PCA and cable

Before proceeding, remove the following components:

- Formatter PCA. See [Formatter PCA on page 17](#).

### Remove the fax PCA and cable

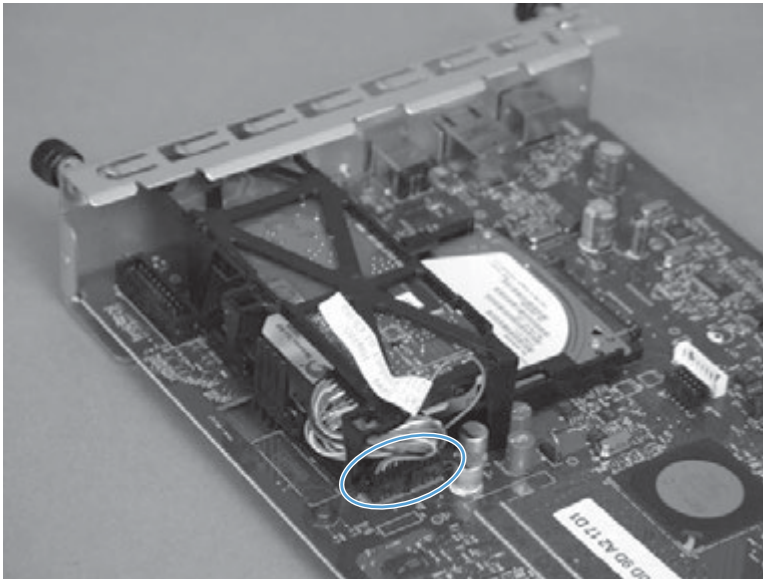
---

 **CAUTION:**  ESD sensitive component.

---


1. Disconnect one connector.

**Figure 1-16** Remove the fax PCA and cable (1 of 2)



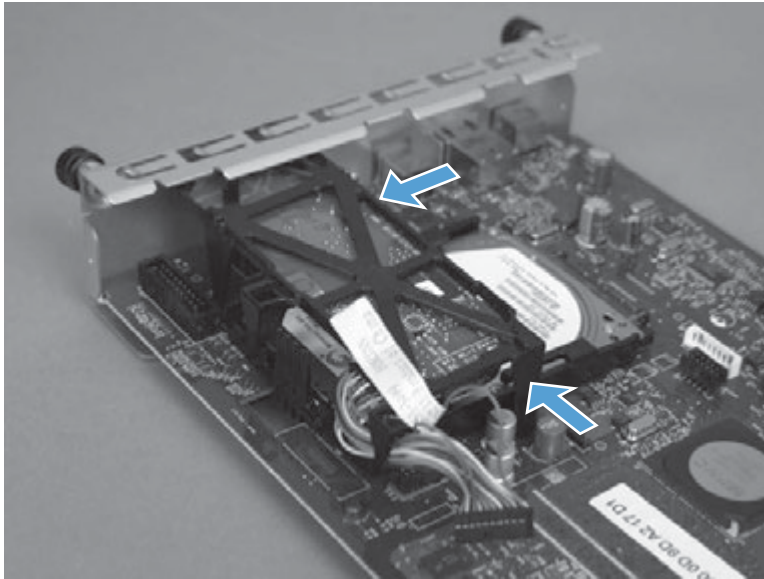
2. Release two tabs and the remove the fax PCA.

---


 **NOTE:** If necessary, disconnect the cable from the fax PCA.

---

**Figure 1-17** Remove the fax PCA and cable (2 of 2)



## Hard drive

 **NOTE:** The product has a hard disk drive (HDD) installed. If you install a replacement disk drive, you must reload the product firmware. See [Reload the firmware on page 22](#).

---

### Before proceeding, remove the following components:

- Formatter PCA. See [Formatter PCA on page 17](#).
- Fax PCA and cable. See [Fax PCA and cable on page 18](#).

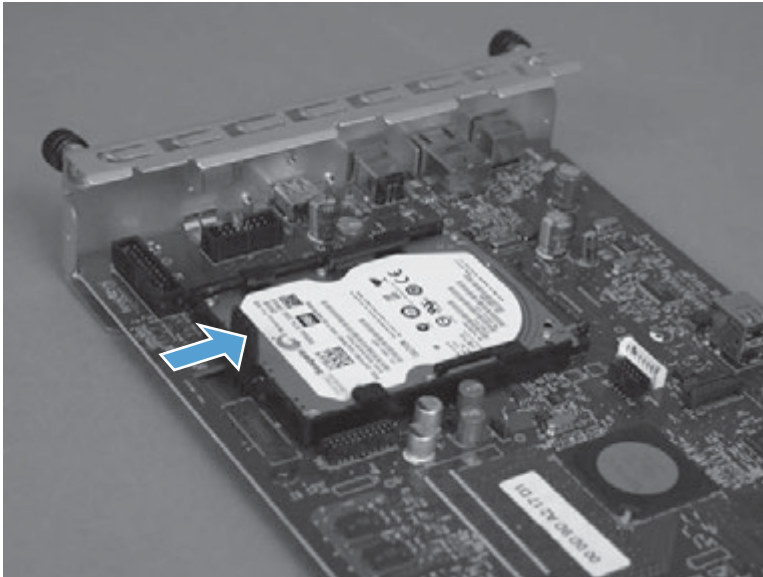
### Remove the HDD

 **CAUTION:**  ESD sensitive component.


---

1. Place the formatter on a clean, flat, grounded surface.
2. Release the locking lever to release the HDD.

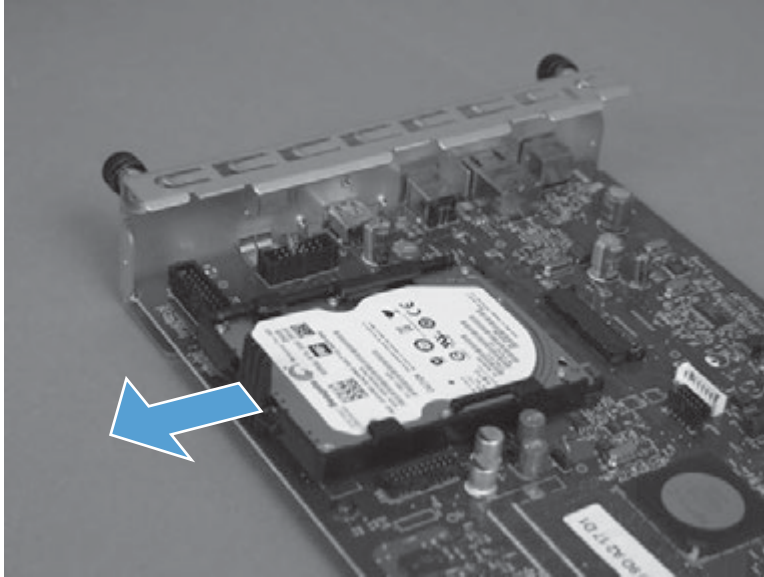
**Figure 1-18** Remove the HDD (1 of 3)




3. Hold the locking lever in the release position, and then slide the HDD toward the edge of the formatter to remove it.

 **Reinstallation tip** When the HDD is reinstalled, make sure that the HDD is fully seated and that the locking lever snaps into the locked position.

**Figure 1-19** Remove the HDD (2 of 3)



4. Separate the plastic side rails (callout 1) from the hard drive, and then slide (callout 2) the plastic cover from the hard drive.

 **CAUTION:** The plastic rails can be tight fitting. Remove carefully to avoid breaking.

**Figure 1-20** Remove the HDD (3 of 3)



## Install a replacement hard drive


After installing a replacement hard drive, you must reload the firmware by performing a firmware upgrade.

## Reload the firmware

### Update firmware

1. Copy the `xxxxxxxxx.bdl` file to a portable USB flash drive.
2. Turn the product on.
3. The HP logo displays on the product control panel. When an underscore displays below the HP logo, touch the logo to open the **Preboot** menu.
4. Touch the down arrow ▼ button to highlight **Administrator**, and then touch the **OK** button.


---

 **NOTE:** You might be prompted to enter a password to access the **Administrator** menu. Type the password, and then touch the **OK** button.

---

5. Touch the down arrow ▼ button to highlight **Download**, and then touch the **OK** button.
6. Insert the USB flash drive with the `xxxxxxxxx.bdl` file on it.


---

 **NOTE:** If the error message **No USB Thumbdrive Files Found** displays on the control-panel display, you might need to connect the storage device to the external USB connection on the formatter or try using a different portable storage device.


---

7. Touch the down arrow ▼ button to highlight **USB Thumbdrive**, and then touch the **OK** button.
8. Touch the down arrow ▼ button to highlight the `xxxxxxxxx.bdl` file, and then touch the **OK** button.

---

 **NOTE:** The upgrade process can take up to 10 minutes to complete.


---

 **TIP:** If there is more than one `xxxxxxxxx.bdl` file on the storage device, make sure that you select the correct file for this product.

---

9. When the message **Complete** displays on the control-panel display, touch the back arrow ↩ button 3 times.
10. When the message **Continue** displays on the control-panel display, touch the **OK** button. The product will initialize.
11. When the upgrade process is complete, print a configuration page and verify that the upgrade firmware version was installed.

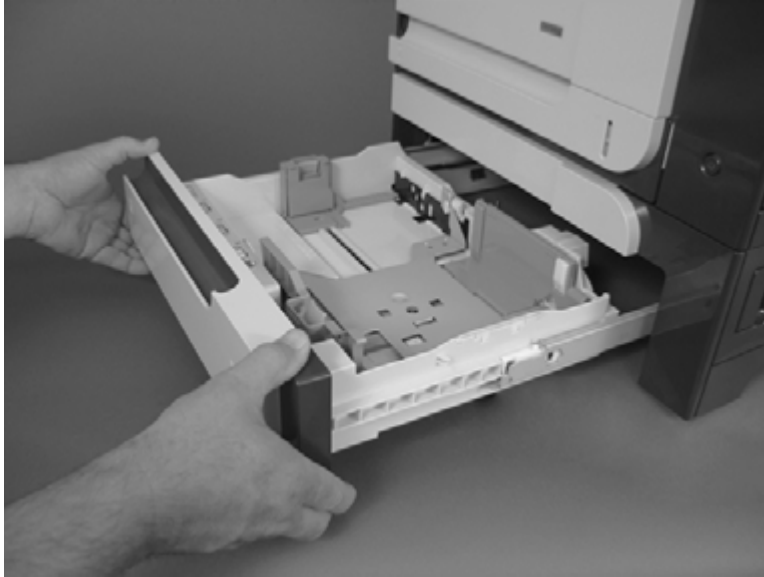
## Tray 2 and 3

 **NOTE:** Use this procedure to remove the Tray 2 or optional Tray 3.

---

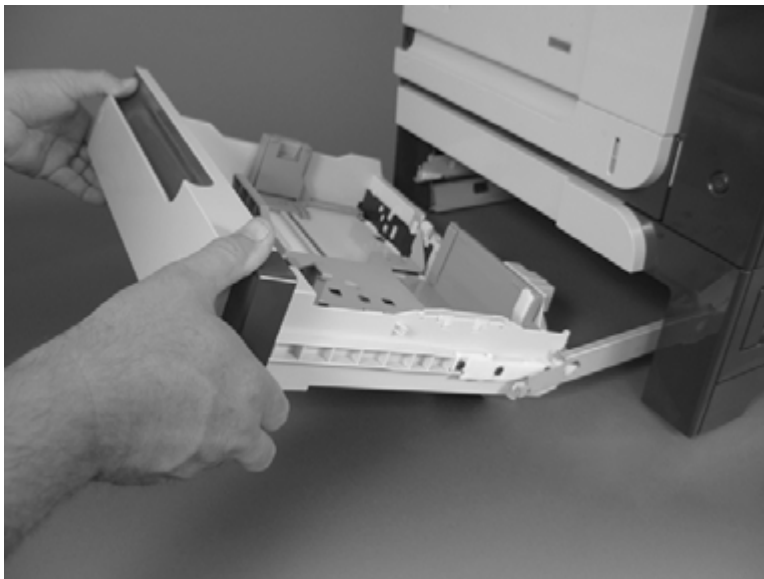
1. Pull the tray straight out of the product until it stops.

**Figure 1-21** Remove Tray 2 and 3 (1 of 2)



2. Carefully lift up on the tray to release it, and then remove the tray.

**Figure 1-22** Remove Tray 2 and 3 (2 of 2)

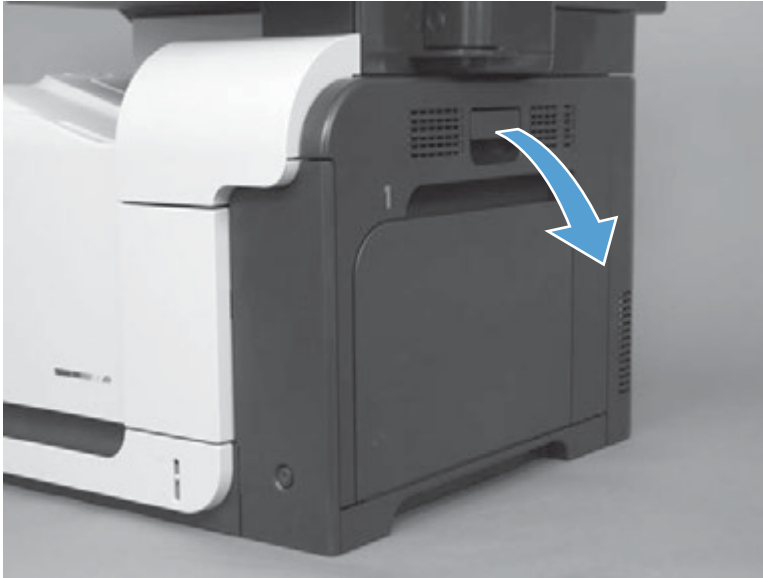


## Fuser

**CAUTION:** The fuser might be hot. Be careful.

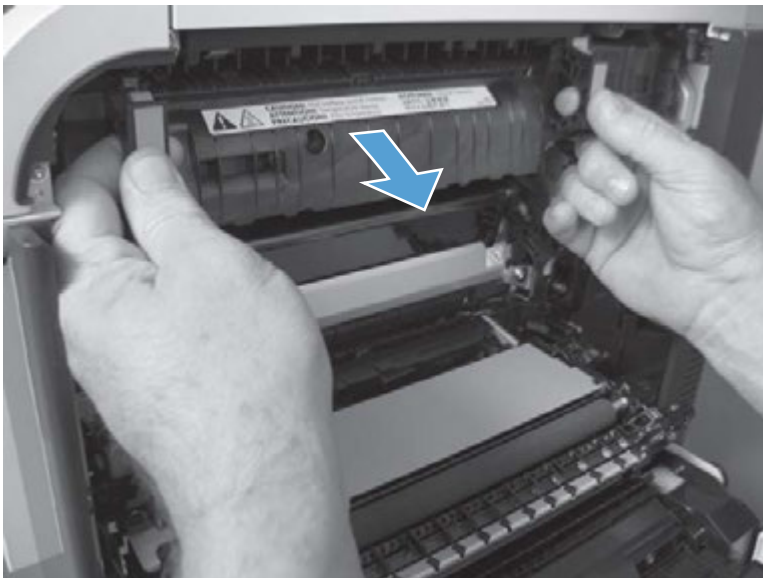
1. Open the right-door assembly.

**Figure 1-23** Remove the fuser (1 of 2)



2. Grasp the handles and squeeze the blue release levers.  
Pull the fuser straight out of the product to remove it.

**Figure 1-24** Remove the fuser (2 of 2)



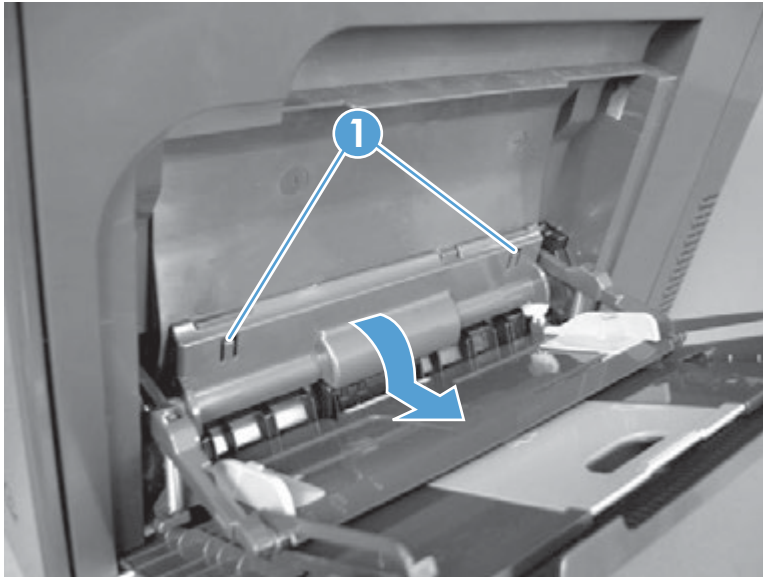
## Pickup roller and separation pad (Tray 1)

**⚠ CAUTION:** Skin oils on the roller or pad can cause paper pickup problems. Wash your hands before removing the roller or pad.

1. Open Tray 1, release two tabs (callout 1), and then rotate the roller cover away from the product to remove it.

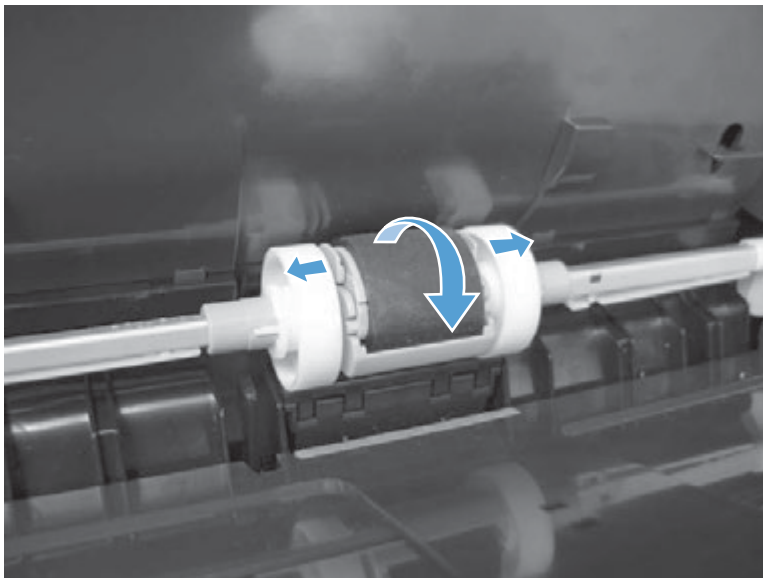
**💡 TIP:** Push down along the top edge of the cover to easily release the tabs.

**Figure 1-25** Remove the pickup roller and separation pad (Tray 1) (1 of 4)




2. Release two tabs and rotate the roller body away from the product to remove it.

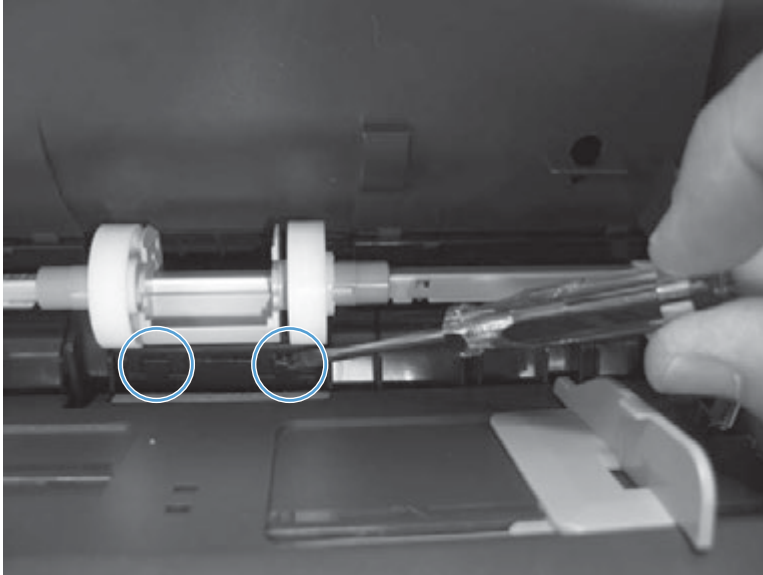
**Figure 1-26** Remove the pickup roller and separation pad (Tray 1) (2 of 4)



3. Use a small flat blade screwdriver to release two tabs, and then remove the separation pad.

 **TIP:** You might need to slightly depress the spring-loaded separation pad pedestal to remove the pad.

**Figure 1-27** Remove the pickup roller and separation pad (Tray 1) (3 of 4)



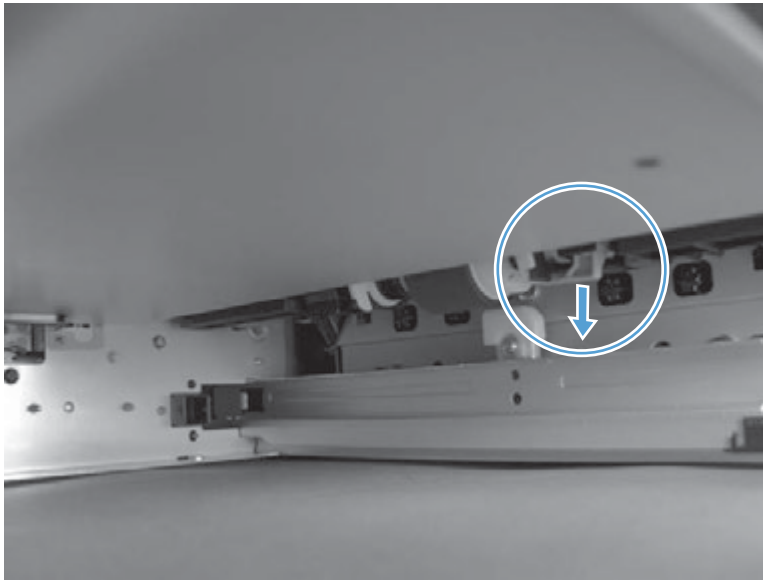
## Pickup roller (Tray 2)

**⚠ CAUTION:** Skin oils on the roller can cause paper pickup problems. Wash your hands before removing the roller.

1. Look up into the Tray 2 cavity (where the tray would be installed), and pull down to release the blue roller-locking lever.

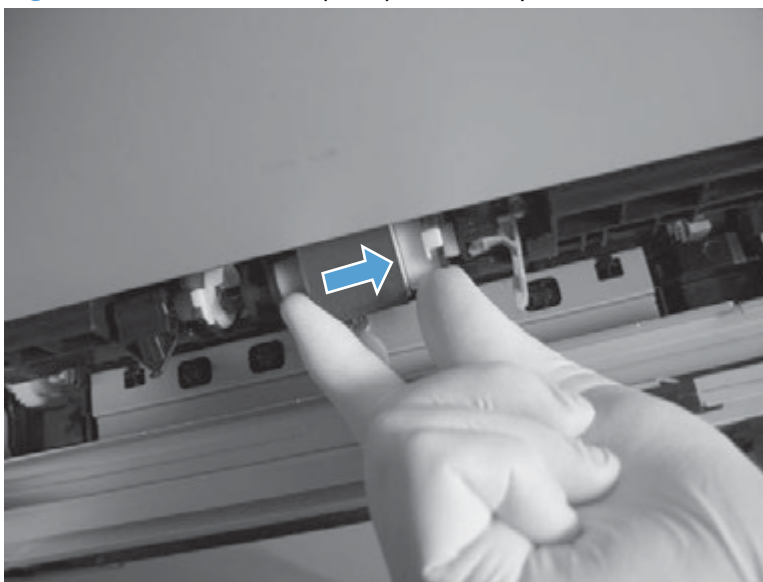
**💡 Reinstallation tip** When the roller is reinstalled, rotate the roller shaft several times to make sure that the shaft correctly engages the drive mechanism. You should hear a click when the shaft engages the drive mechanism.

**Figure 1-28** Remove the pickup roller (Tray 2) (1 of 4)



2. Pull the roller toward the front of the product to release the rear of the roller shaft.

**Figure 1-29** Remove the pickup roller (Tray 2) (2 of 4)




3. Rotate the roller shaft down and away from the product, and then slide the roller toward the rear of the product to release the front of the roller shaft.

**Figure 1-30** Remove the pickup roller (Tray 2) (3 of 4)



4. Remove the pickup roller.

---

 **Reinstallation tip** Make sure that the roller is orientated correctly when it is reinstalled (the large white collar should be positioned toward the front of the product).

---

**Figure 1-31** Remove the pickup roller (Tray 2) (4 of 4)



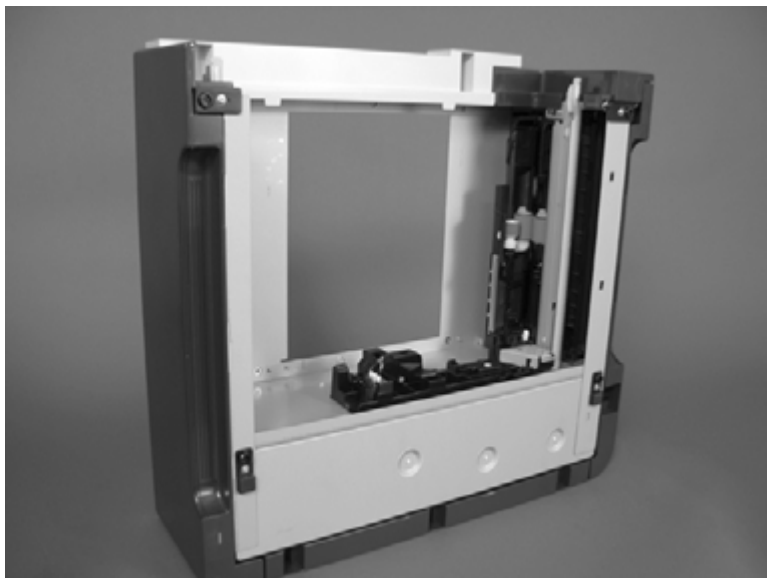
## Pickup and feed rollers (Tray 3)

**⚠ CAUTION:** Skin oils on the roller can cause paper pickup problems. Wash your hands before removing the rollers.


1. Locate the Tray 3 pickup and feed rollers.

**💡 TIP:** The feeder is shown front side up in this procedure for clarity. You do not have to separate the product from the feeder to remove these rollers. Remove the tray, and then reach up into the cavity to remove the rollers.

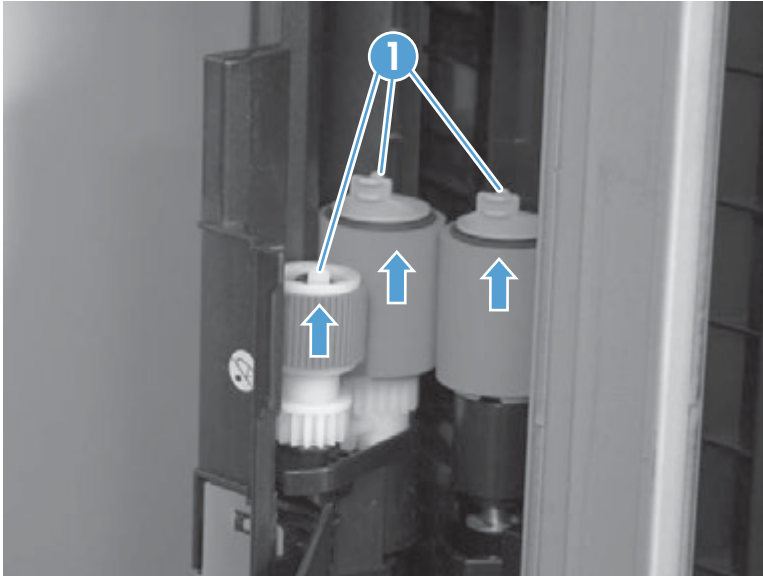
**Figure 1-32** Remove the Pickup and feed rollers (Tray 3) (1 of 2)



2. Release three tabs (callout 1), and then remove the rollers.

 **Reinstallation tip** When you reinstall the rollers, make sure that the rollers snap into place.

**Figure 1-33** Remove the Pickup and feed rollers (Tray 3) (2 of 2)



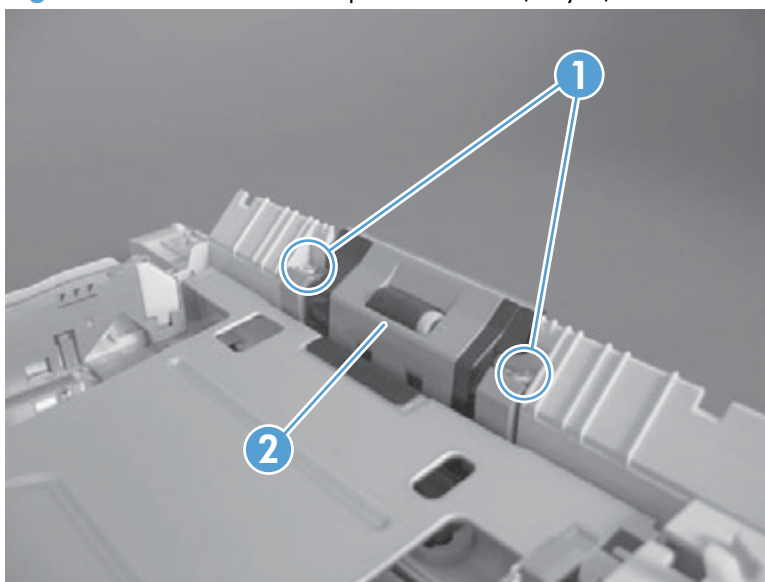
## Separation roller (Tray 2)

**⚠ CAUTION:** Do not touch the spongy roller surface unless you are replacing the roller. Skin oils on the roller can cause paper pickup problems.

**📝 NOTE:** Remove the Tray 2 if not already removed for service. See [Tray 2 and 3 on page 23](#).

Remove two screws (callout 1), and then remove the separation roller assembly (callout 2).

**Figure 1-34** Remove the separation roller (Tray 2)



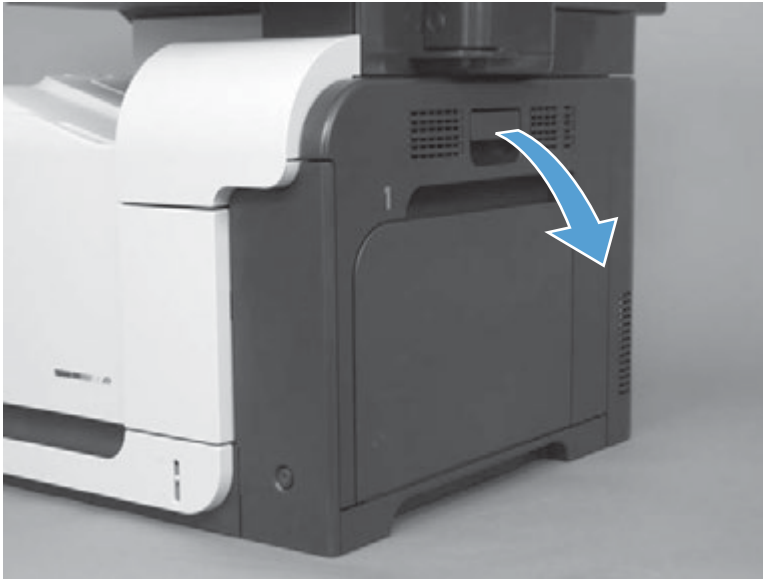
**⚠ CAUTION:** To install a self-tapping screw, first turn it counterclockwise to align it with the thread pattern, and then carefully turn it clockwise to tighten. Do not overtighten. If a self-tapping screw-hole becomes stripped, repair the screw-hole or replace the affected assembly.

## Secondary transfer roller

**CAUTION:** Do not touch the spongy roller surface unless you are replacing the roller. Skin oils on the roller can cause image quality problems.

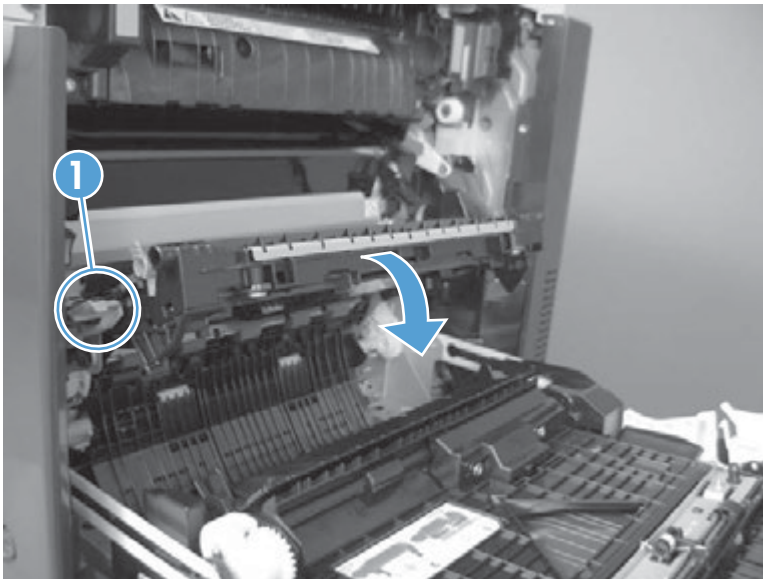
1. Open the right-door assembly.

**Figure 1-35** Remove the transfer roller (1 of 3)



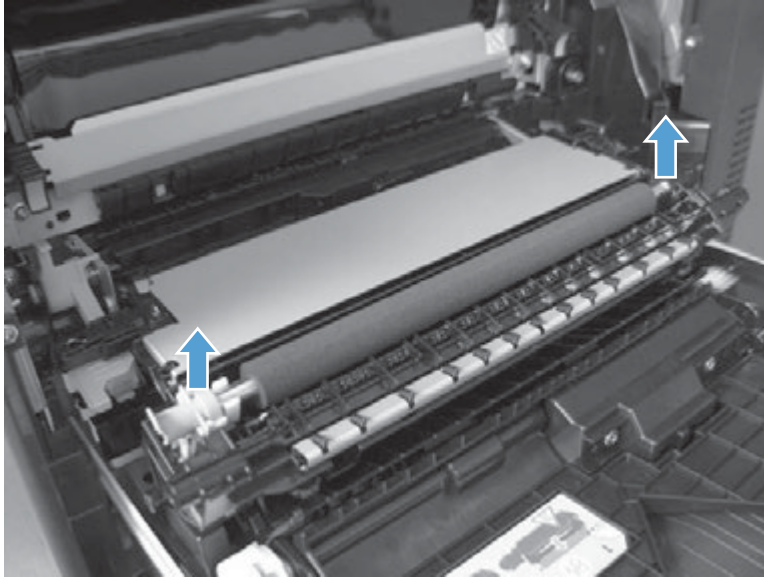
2. Use the blue lever (callout 1) to lower the secondary transfer assembly.

**Figure 1-36** Remove the transfer roller (2 of 3)



3. Grasp the roller shaft collars, and lift the transfer roller off of the product.

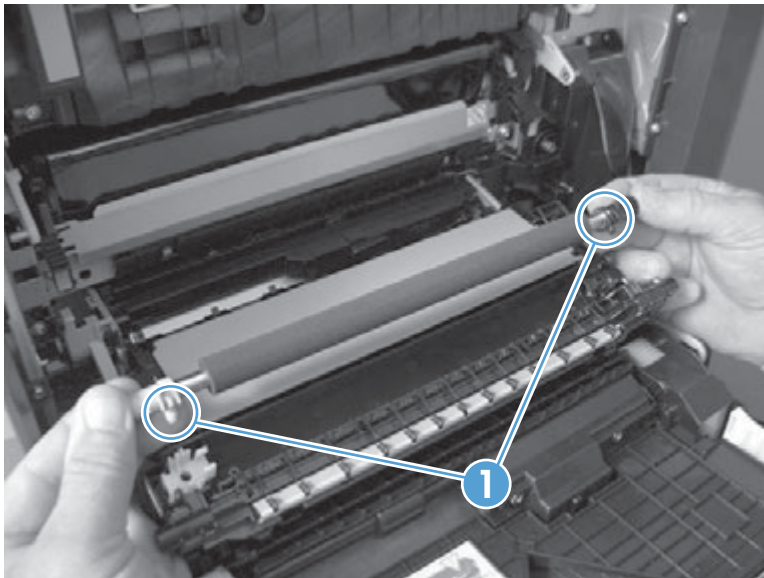
**Figure 1-37** Remove the transfer roller (3 of 3)



### Reinstall the transfer roller

When you reinstall the transfer roller, make sure that the pins on the shaft collars (callout 1) align with the holes in the mounting assembly.

**Figure 1-38** Reinstall the transfer roller

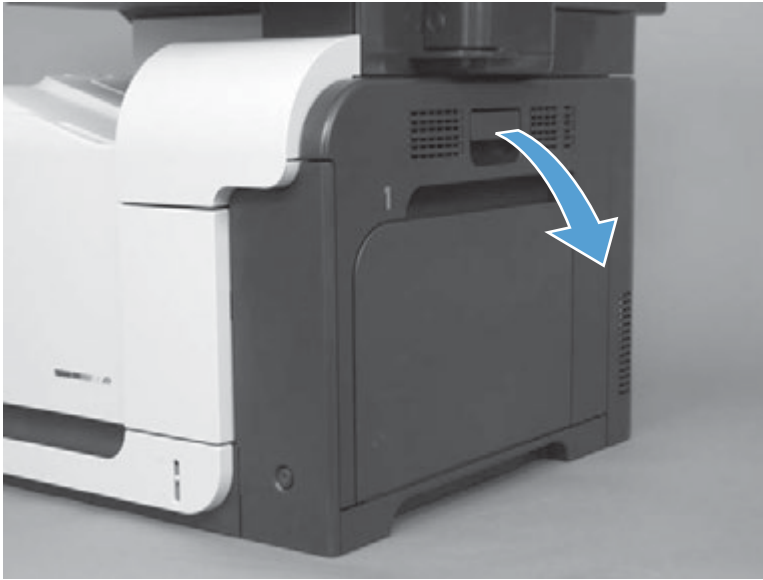


## Intermediate transfer belt (ITB)

**CAUTION:** Do not touch the black-plastic belt. Skin oils and fingerprints on the belt can cause print-quality problems. Always place the ITB on a flat surface in a safe and protected location.

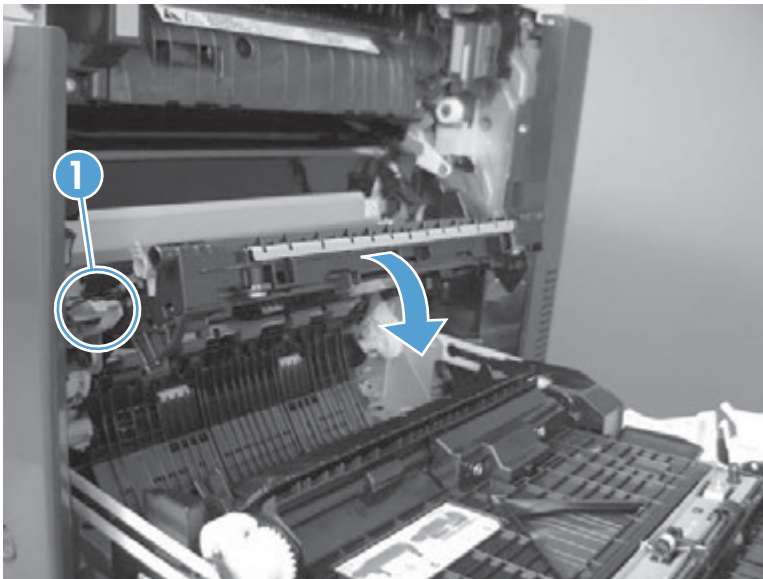
1. Open the right-door assembly.

**Figure 1-39** Remove the fuser (1 of 2)



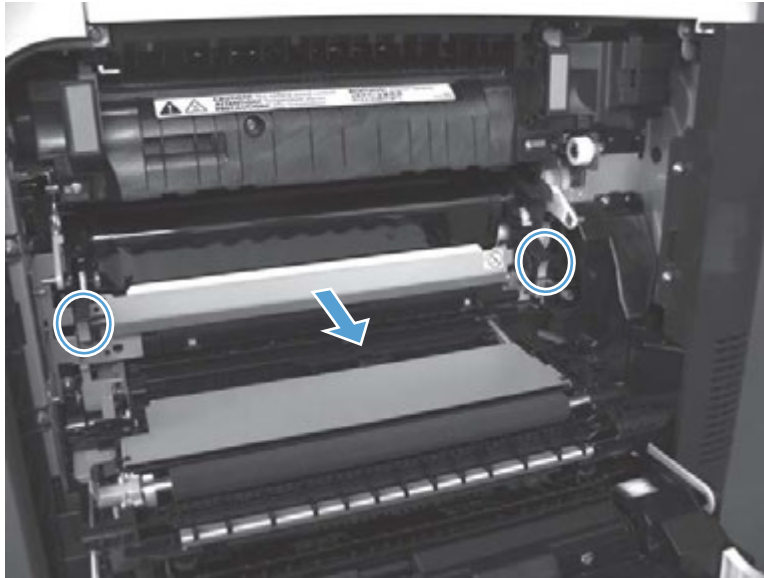
2. Use the blue lever (callout 1) to lower the secondary transfer assembly.

**Figure 1-40** Remove the intermediate transfer belt (1 of 3)



3. Grasp the small handles on the ITB and then pull the ITB out of the product until two large handles expand along the right- and left-side of the ITB.

**Figure 1-41** Remove the intermediate transfer belt (2 of 3)



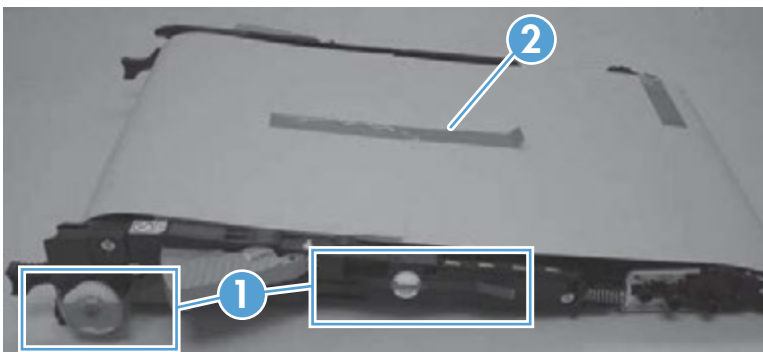
4. Grasp the large handles on the ITB and then pull the ITB straight out of the product to remove it.

**⚠ CAUTION:** The ITB is a sensitive component. Be careful when handling the ITB so that it is not damaged. Always place the ITB in a safe and protected location.

**Figure 1-42** Remove the intermediate transfer belt (3 of 3)



**💡 Reinstallation tip** If you are installing a replacement ITB, make sure that you remove all of the packing tape (callout 1) and the protective cover sheet (callout 2).




## Front-door assembly

1. Open the front door.

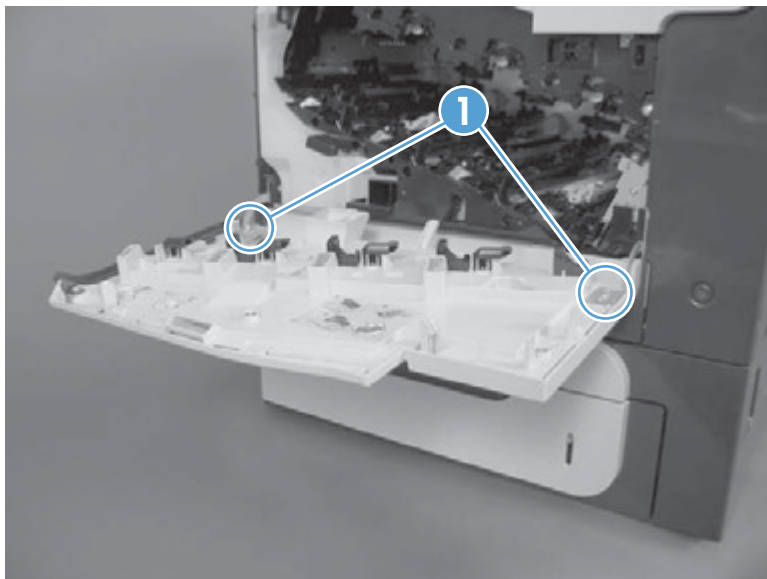
**Figure 1-43** Remove the front-door assembly (1 of 2)



2. Remove two screws (callout 1), and then remove the front-door assembly.

 **NOTE:** A small sheet-metal bracket on the left side of the door is not captive. Do not lose the bracket when you remove the screw.

**Figure 1-44** Remove the front-door assembly (2 of 2)

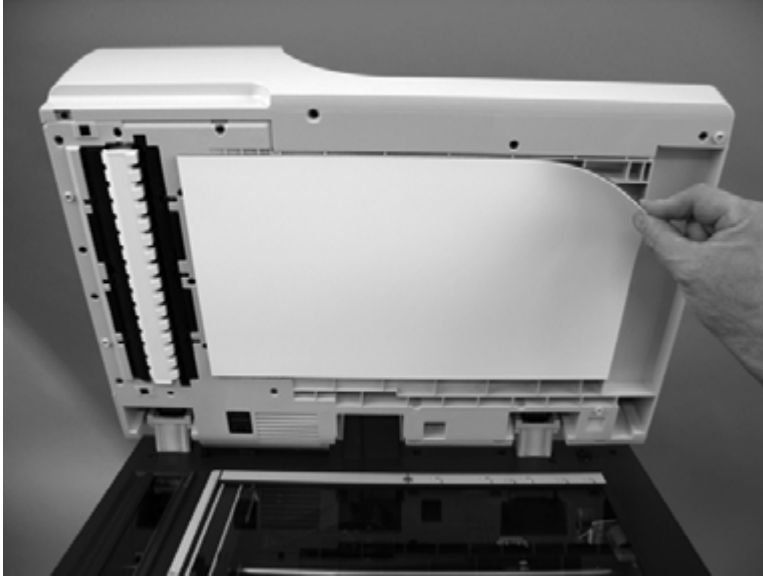


3. If you are installing a replacement front-door assembly, install the HP name tag and the appropriate product model number tag on the assembly.

## Foam reflector kit (white ADF backing)

1. Open the ADF.
2. Carefully peel the foam reflector from the ADF.

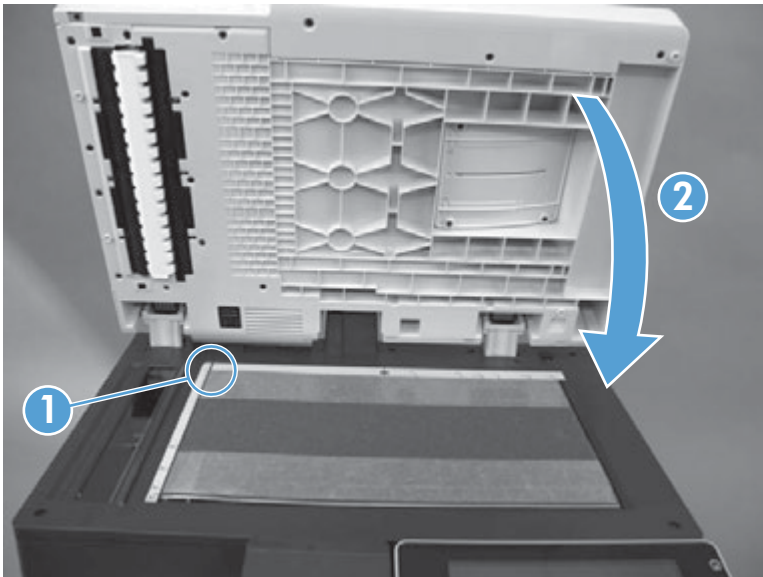
**Figure 1-45** Remove the foam reflector kit (white ADF backing) (1 of 2)



## Reinstall the white ADF backing

- ▲ Place the foam reflector on the scanner glass with the adhesive facing up. Make sure the corner of the foam reflector is aligned with the corner of the scanner glass (callout 1). Close the ADF (callout 2) to attach the foam reflector. Open the ADF and then press firmly on the foam reflector to ensure it is securely attached.

**Figure 1-46** Remove the foam reflector kit (white ADF backing) (2 of 2)

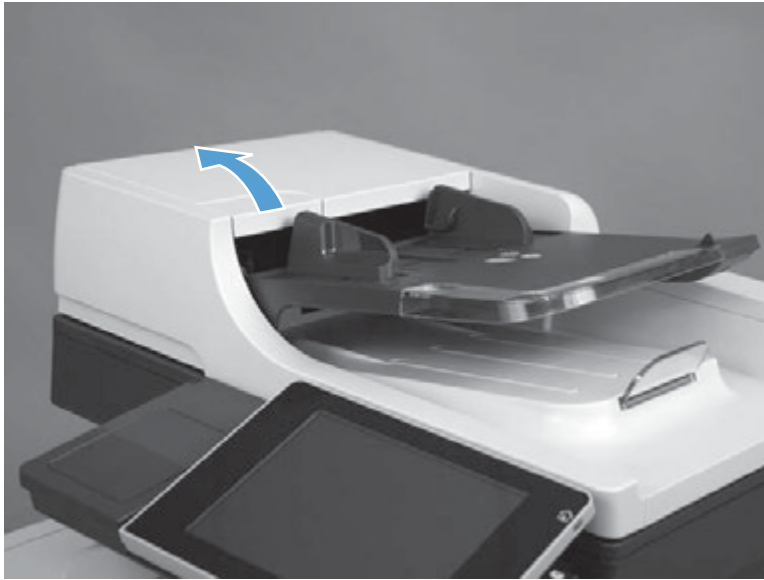


## ADF pickup roller

**CAUTION:** Do not touch the surface of the roller. Skin oils deposited on the roller might cause print-quality problems.

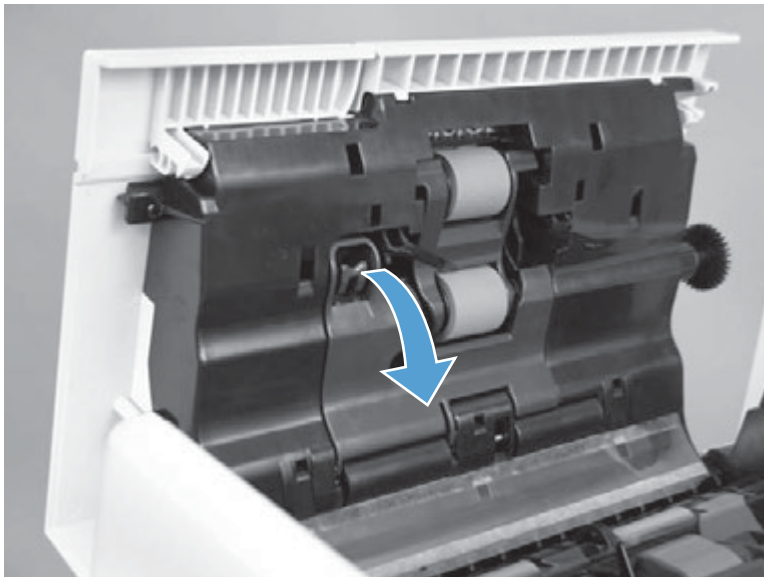
1. Open the jam-access cover.

**Figure 1-47** Remove the ADF pickup roller (1 of 4)



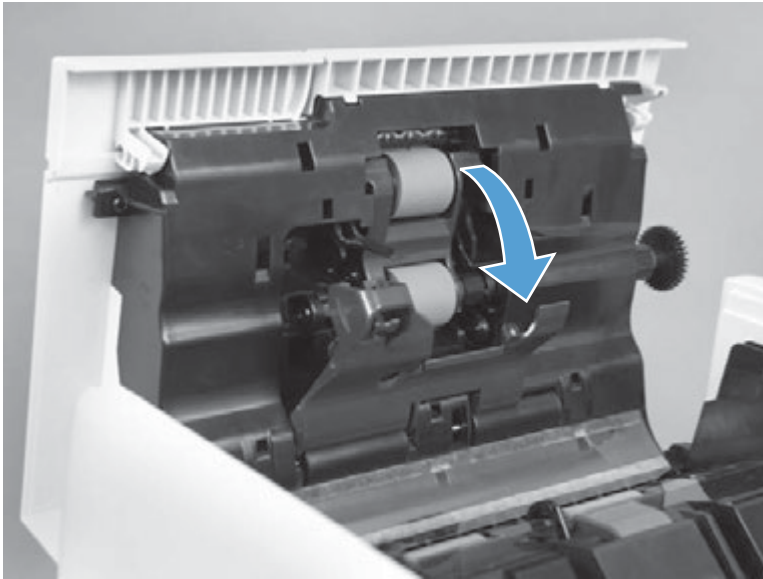
2. Open the roller-access cover.

**Figure 1-48** Remove the ADF pickup roller (2 of 4)



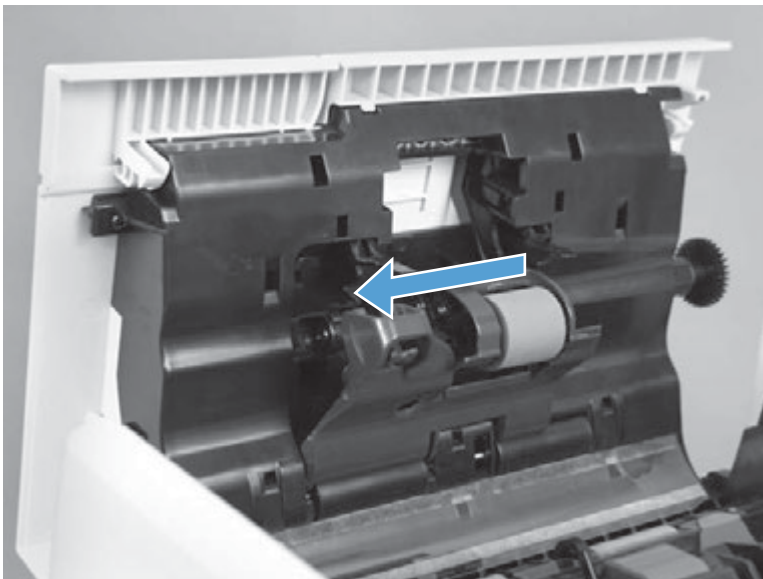
3. Lower the ADF pickup roller.


**Figure 1-49** Remove the ADF pickup roller (3 of 4)



4. Slide the roller toward the front of the product to remove.

**Figure 1-50** Remove the ADF pickup roller (4 of 4)



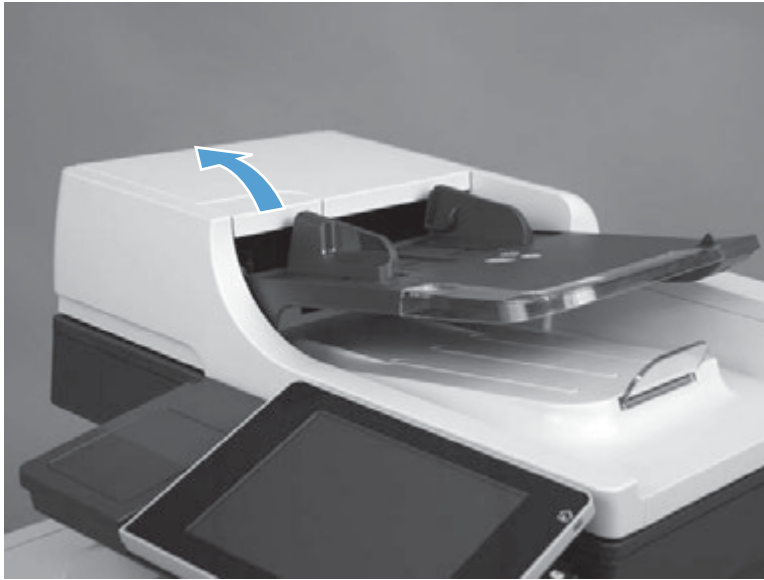
 **TIP:** The roller assembly is keyed. When reinstalling the roller assembly, position the hex-shaped fitting on the shaft toward the rear of the product.

## ADF separation pad and spring

**⚠ CAUTION:** Do not touch the surface of the roller. Skin oils deposited on the roller might cause print-quality problems.

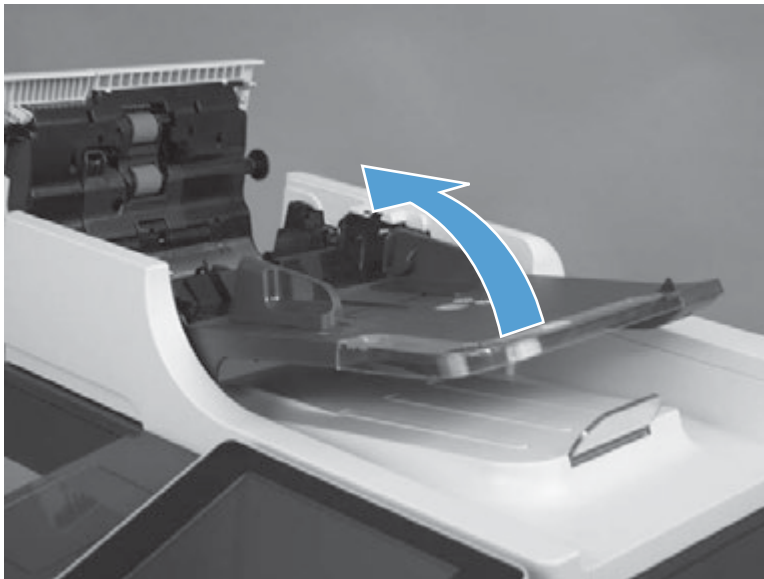
1. Open the jam-access cover.

**Figure 1-51** Remove the ADF separation pad and ADF separation pad spring (1 of 5)



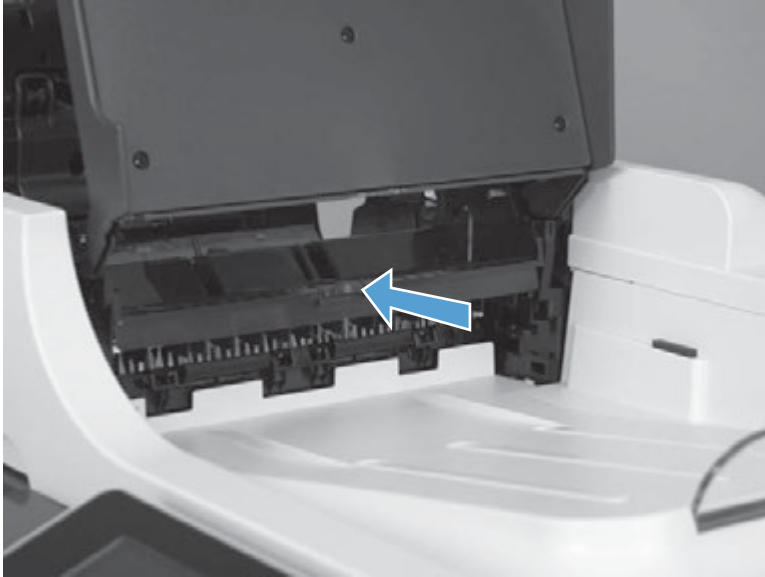
2. Lift the ADF tray.

**Figure 1-52** Remove the ADF separation pad and ADF separation pad spring (2 of 5)



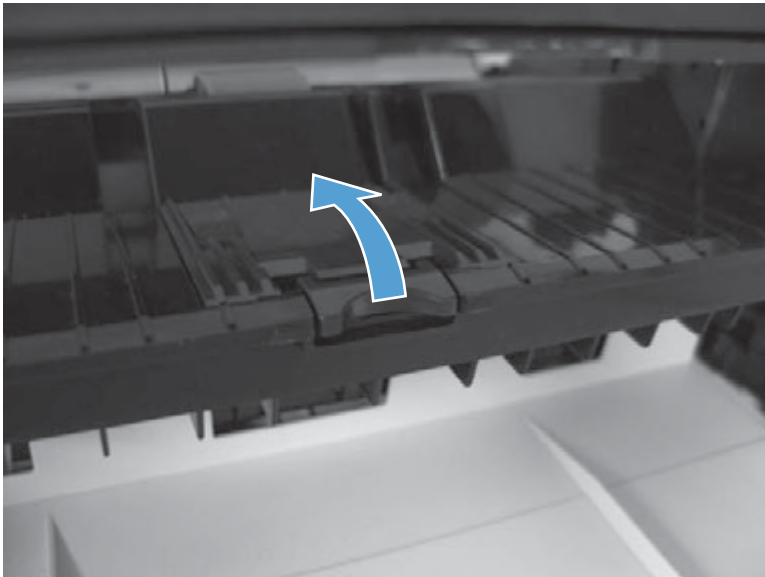
3. Push in on the latch to release the separation pad.

**Figure 1-53** Remove the ADF separation pad and ADF separation pad spring (3 of 5)



4. Lower the ADF tray, and then lift the separation pad.

**Figure 1-54** Remove the ADF separation pad and ADF separation pad spring (4 of 5)



5. Remove the separation pad and spring.

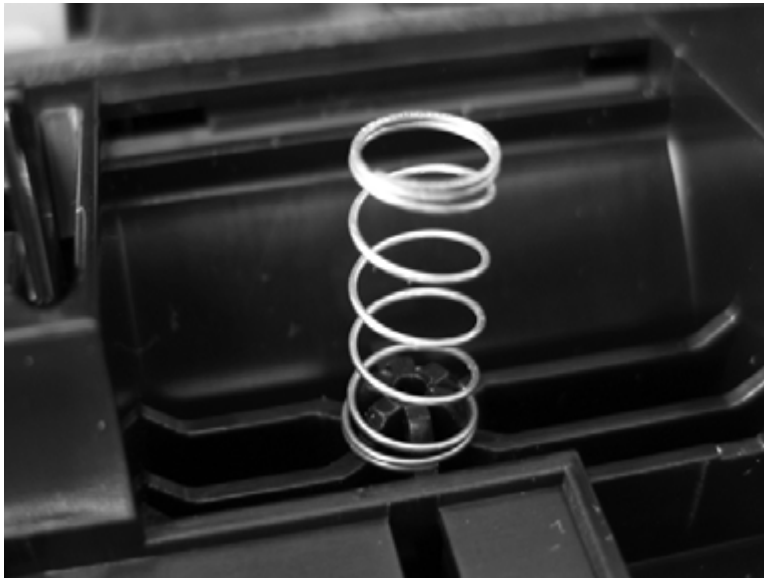
**Figure 1-55** Remove the ADF separation pad and ADF separation pad spring (5 of 5)



#### Reinstall the ADF separation pad spring

- ▲ Make sure to securely reinstall the spring if it becomes dislodged.

**Figure 1-56** Reinstall the ADF separation pad spring

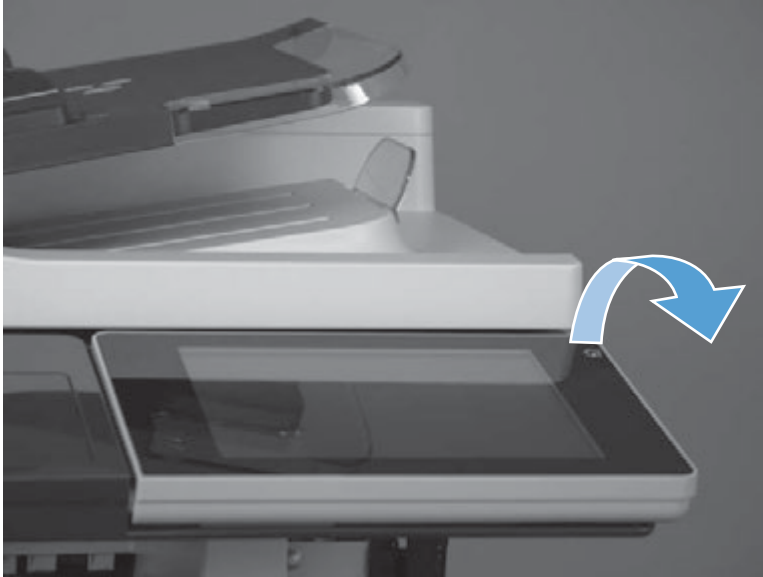


## Control panel

 **WARNING!**  ESD sensitive component.

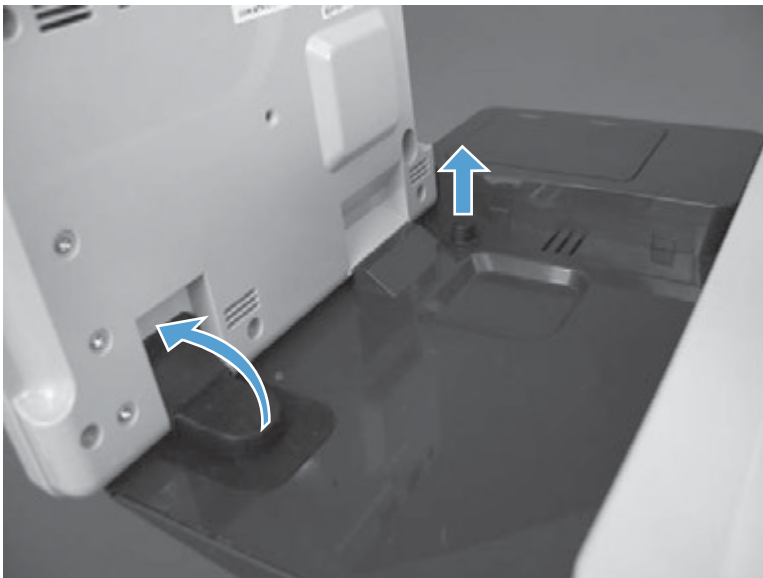
1. Lift the control panel to an upright position.

**Figure 1-57** Remove the control panel (1 of 5)



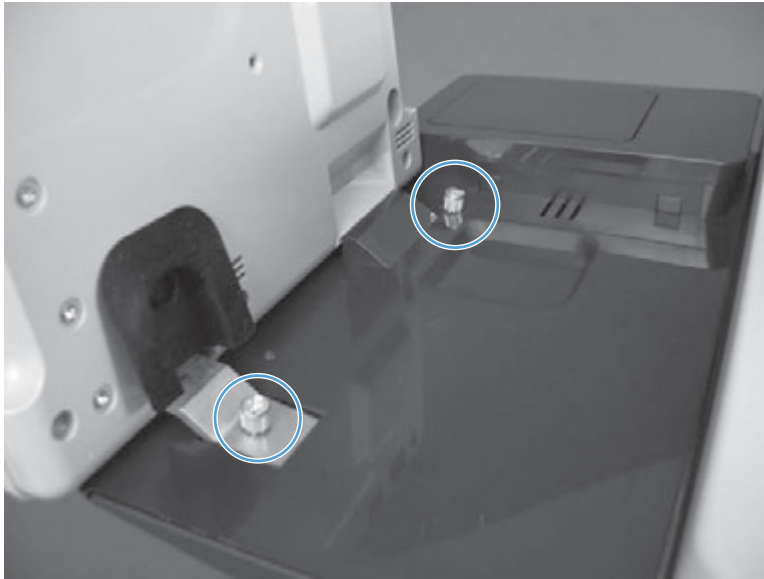
2. Lift the antistatic covers to reveal the thumbscrews.

**Figure 1-58** Remove the control panel (2 of 5)



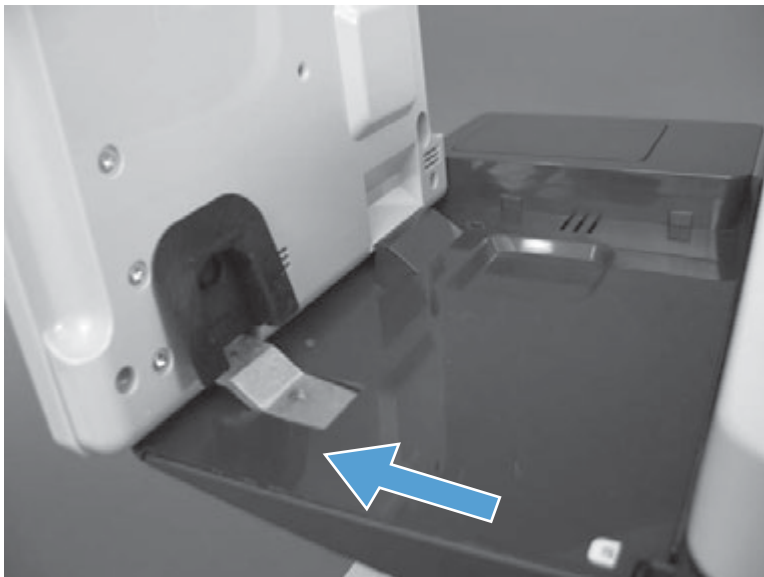
3. Remove two thumbscrews.

**Figure 1-59** Remove the control panel (3 of 5)



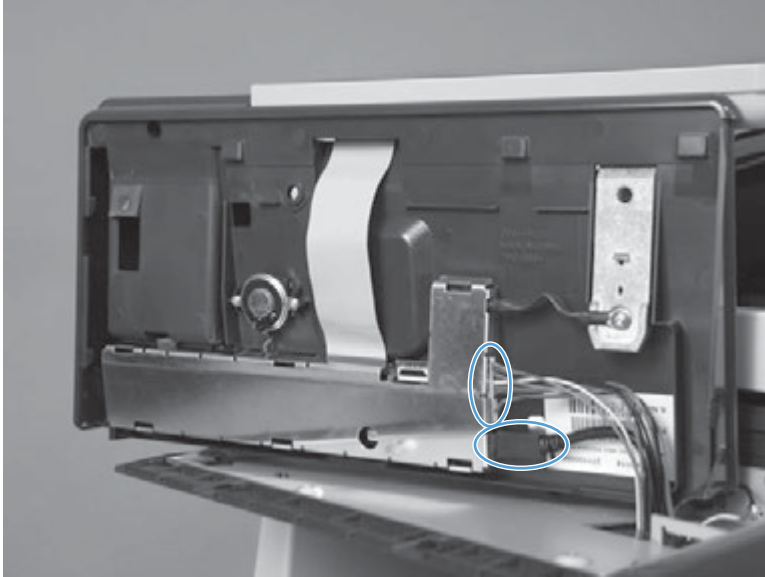
4. Slowly slide the control panel away from the product to release it. Lift the control panel to reveal the connectors.

**Figure 1-60** Remove the control panel (4 of 5)



5. Disconnect two connectors and then remove the control panel.

**Figure 1-61** Remove the control panel (5 of 5)



### Reinstalling the control panel

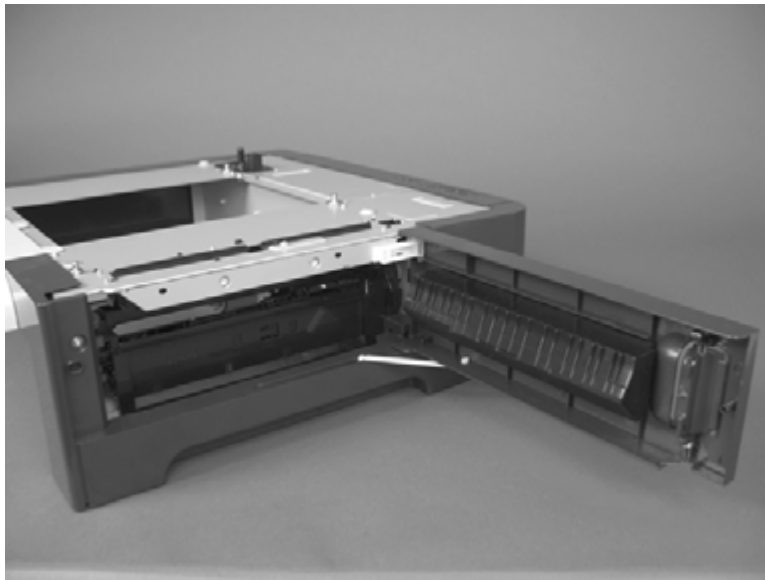
- ▲ Place the control-panel on the product and reconnect the two connectors before attempting to reinstall the control panel.



## Right door (optional paper feeder)

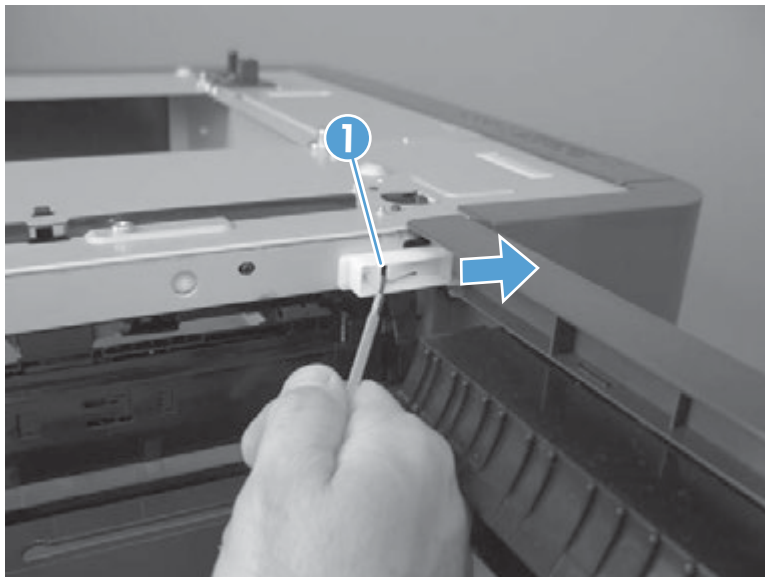
1. Open the right door.

**Figure 1-62** Remove the right door; optional paper feeder (1 of 3)



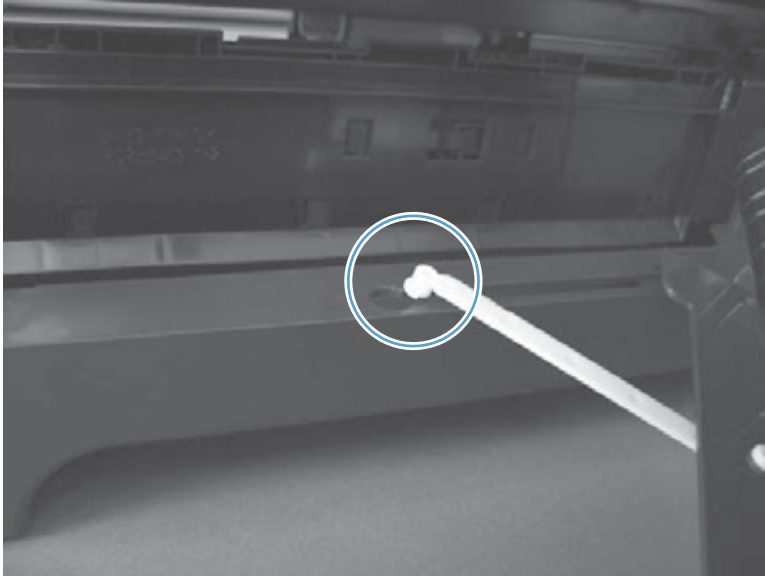
2. Release one tab (callout 1), and then slide the stopper toward the right side of the product to remove it.

**Figure 1-63** Remove the right door; optional paper feeder (2 of 3)




3. Support the door, and then release the door-retainer arm at the bottom of the door. Raise the door to release the lower hinge pin, and then remove the door.

**Figure 1-64** Remove the right door; optional paper feeder (3 of 3)

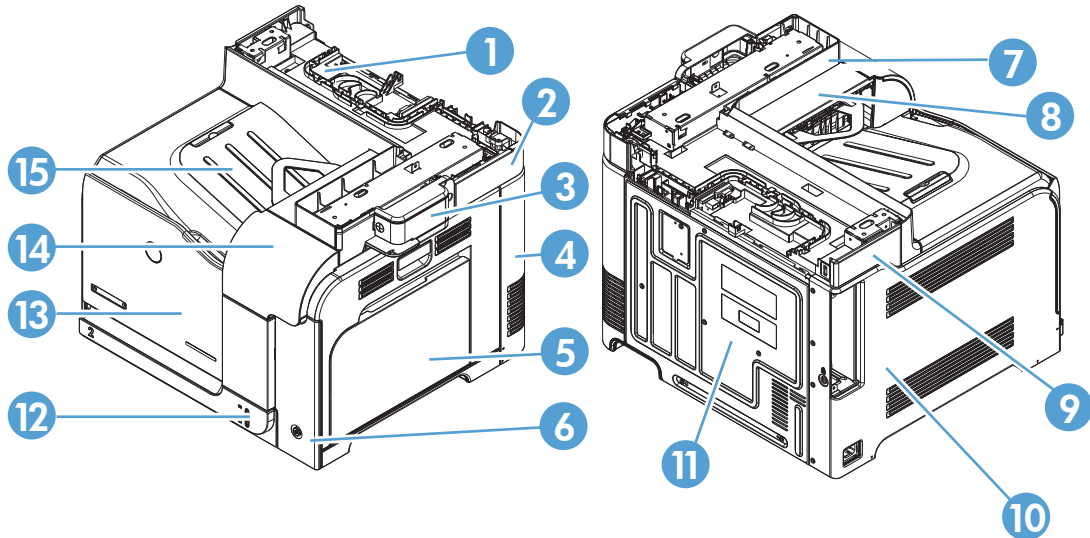


# External panels, covers, and doors

## Identification and location

 **NOTE:** Your product might not appear exactly as the one shown in the photos in this chapter. Although some photos do not show the ADF/scanner unit, the procedures in this chapter are appropriate for your product.

**Figure 1-65** External panels, covers, doors, and scanner assembly; identification and location



**Table 1-2** External panels, covers, doors, and scanner assembly; identification and location

Item	Description
1	Rear-top cover (see <a href="#">Rear-top cover on page 81</a> )
2	Right-top cover (see <a href="#">Right-top cover on page 75</a> )
3	Stapler cover (see <a href="#">Stapler cover on page 54</a> )
4	Right-rear cover (see <a href="#">Right-rear cover on page 59</a> )
5	Right-door assembly (see <a href="#">Right-door assembly on page 55</a> )
6	Right-front cover (see <a href="#">Right-front cover on page 69</a> )
7	Upper-right cover (see <a href="#">Upper-right cover on page 77</a> )
8	Delivery cover (see <a href="#">Delivery cover on page 73</a> )
9	Left-upper cover (see <a href="#">Left-upper cover on page 66</a> )
10	Left cover (see <a href="#">Left cover on page 61</a> )
11	Rear cover (see <a href="#">Rear cover on page 67</a> )
12	Tray (see <a href="#">Tray 2 and 3 on page 23</a> )
13	Front-door assembly (see <a href="#">Front-door assembly on page 37</a> )
14	Front-upper cover (see <a href="#">Front-upper cover on page 52</a> )
15	Front-top cover (see <a href="#">Front-top cover on page 79</a> )

## Control-panel USB cover

- ▲ Remove the small cover from USB port on the left side of the control panel.

**Figure 1-66** Remove USB cover



## Control-panel HIP (hardward integration pocket)

Use a small flat blade screwdriver to carefully separate the cover from the product.

**⚠ CAUTION:** There are two tabs along each of the long edges of the cover that fasten the cover to the product. Do not break the tabs when the cover is removed.

**Figure 1-67** Remove the HIP cover



## Front-upper cover

### Remove the front-upper cover

1. Open the right door and front door.

**Figure 1-68** Remove the front-upper cover (1 of 4)



2. Remove one screw.

**Figure 1-69** Remove the front-upper cover (2 of 4)



3. Remove one screw.

**Figure 1-70** Remove the front-upper cover (3 of 4)

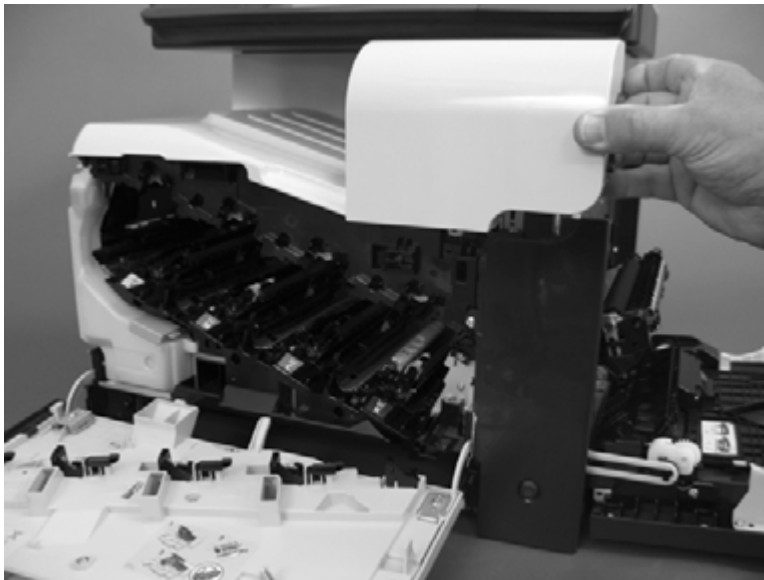


4. Lift the cover up, and then remove the front-upper cover.



**NOTE:** The cover might be difficult to remove. It might require some flexing to release it.

**Figure 1-71** Remove the front-upper cover (4 of 4)



## Stapler cover

### Remove the stapler cover

- ▲ Remove one screw and then the stapler cover.

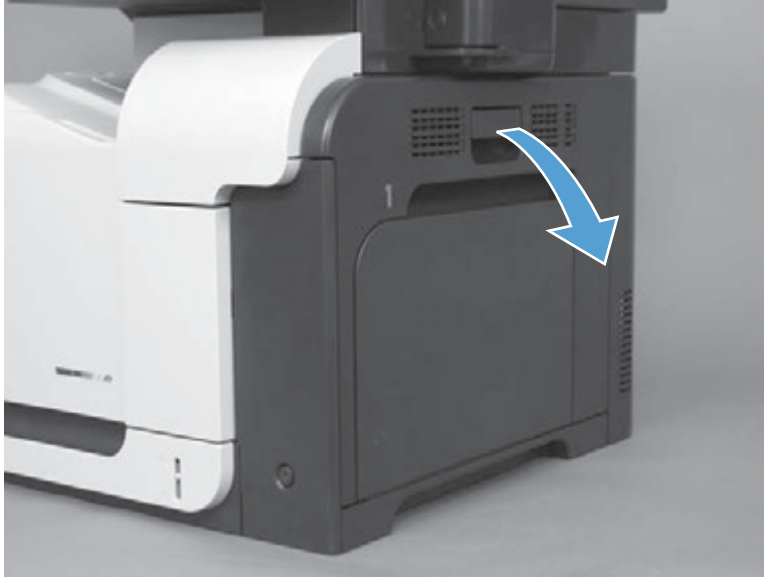
**Figure 1-72** Remove the stapler cover



## Right-door assembly

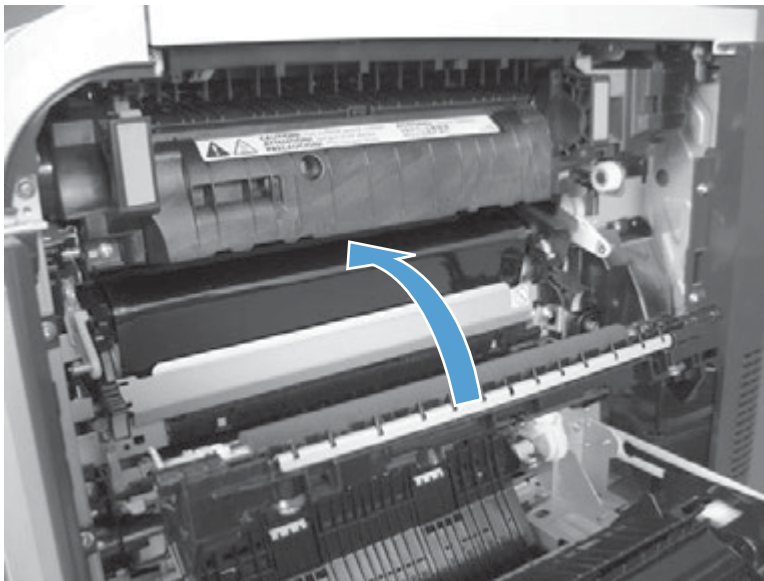
1. Open the right-door assembly

**Figure 1-73** Remove the right-door assembly (1 of 8)



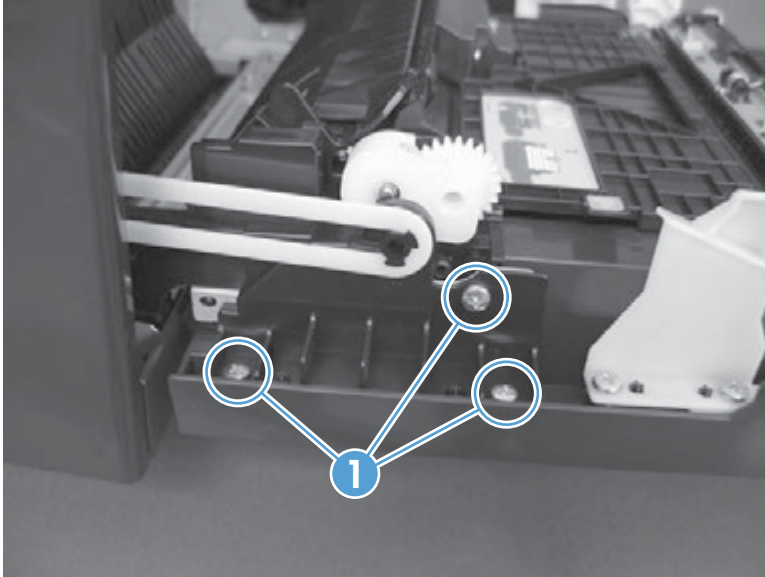
2. Close the secondary transfer assembly.

**Figure 1-74** Remove the right-door assembly (2 of 8)



3. Remove three screws (callout 1).

**Figure 1-75** Remove the right-door assembly (3 of 8)



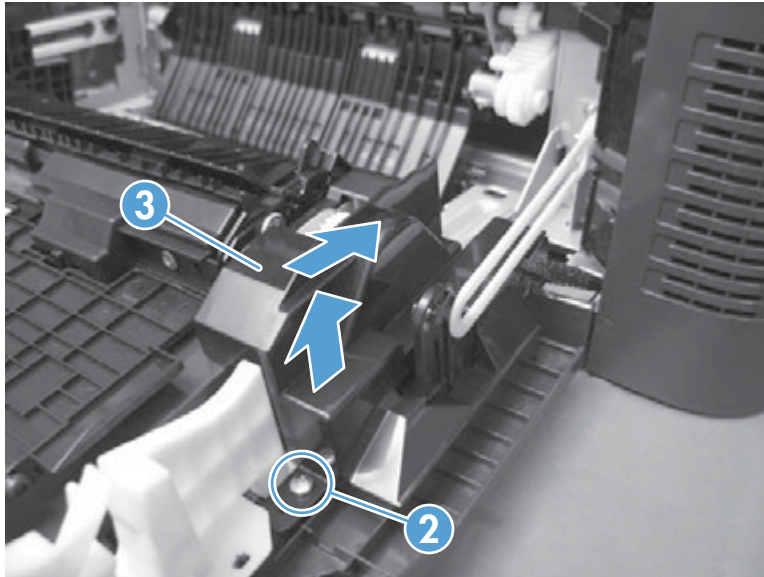
4. Carefully release one link arm.

**Figure 1-76** Remove the right-door assembly (4 of 8)



5. Remove one screw (callout 2), and then remove the cover (callout 3).

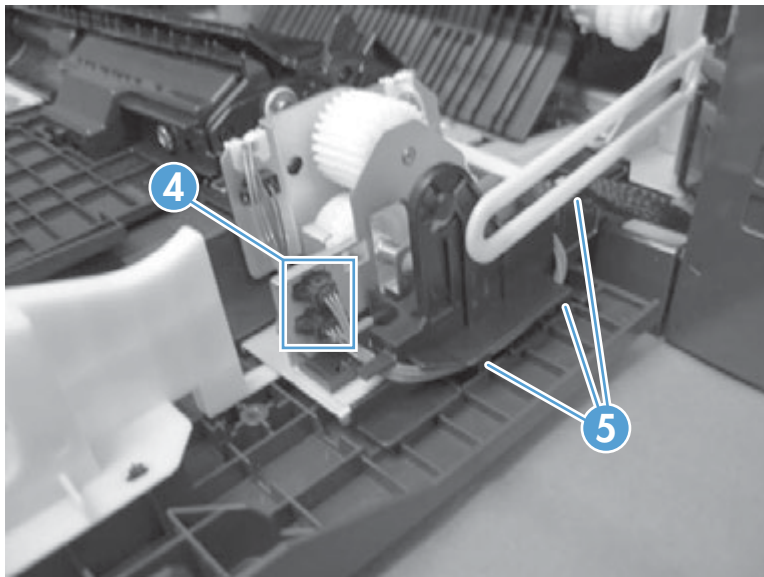
**Figure 1-77** Remove the right-door assembly (5 of 8)



6. Disconnect two connectors (callout 4), and then release the wire harness from the guide (callout 5).

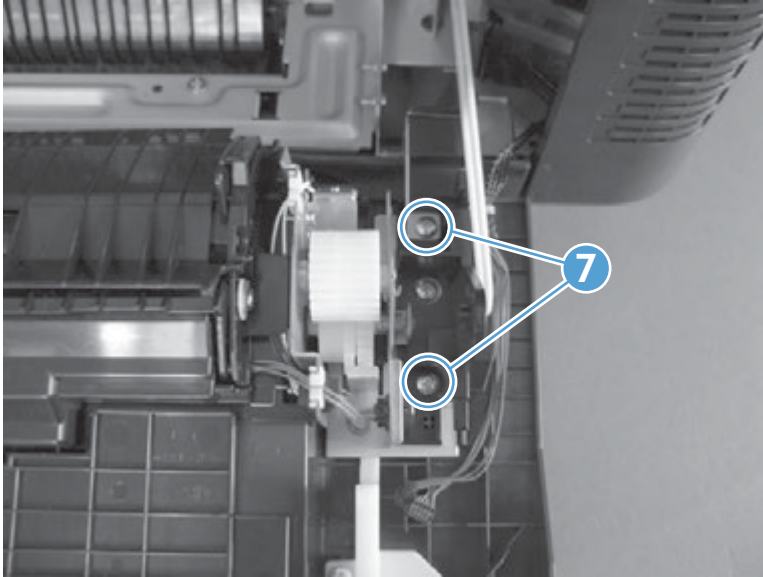
**TIP:** It is easier to disconnect the lower connector if you first remove the wire harnesses from the guide.

**Figure 1-78** Remove the right-door assembly (6 of 8)



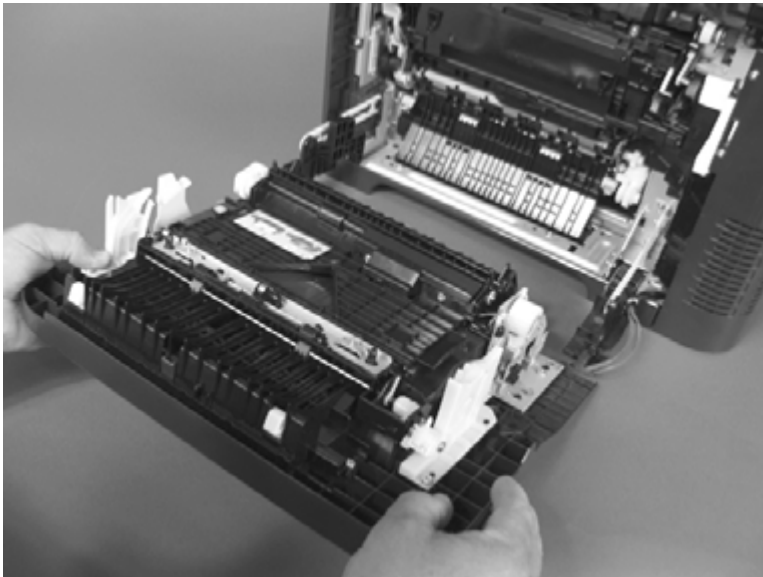
7. Remove two screws (callout 7).

**Figure 1-79** Remove the right-door assembly (7 of 8)



8. Remove the right-door assembly.

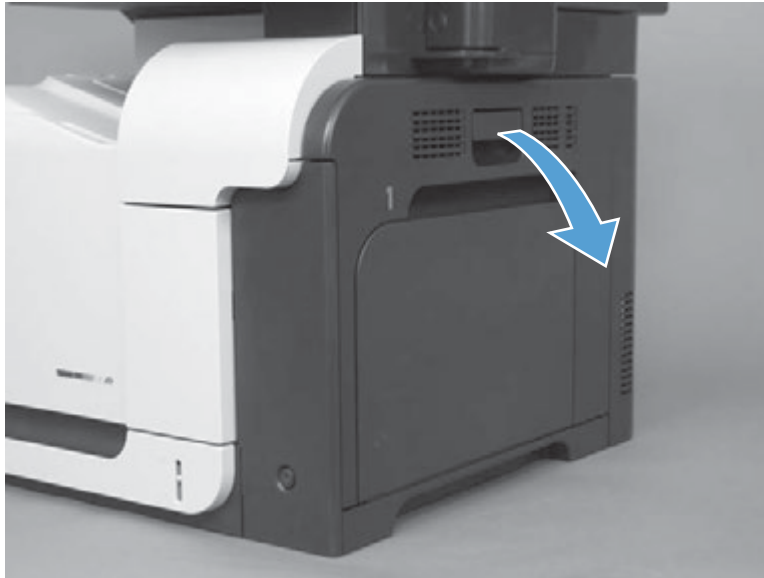
**Figure 1-80** Remove the right-door assembly (8 of 8)



## Right-rear cover

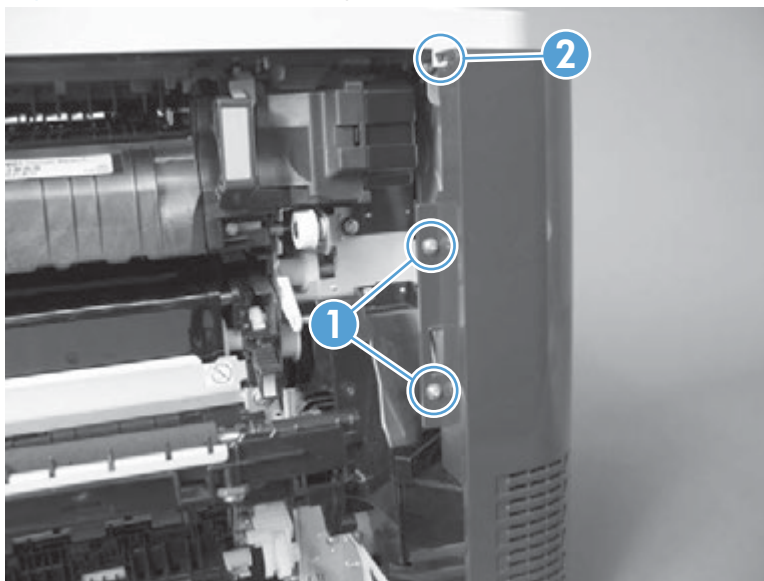
1. Open the right-door assembly.

**Figure 1-81** Remove the right-rear cover (1 of 3)



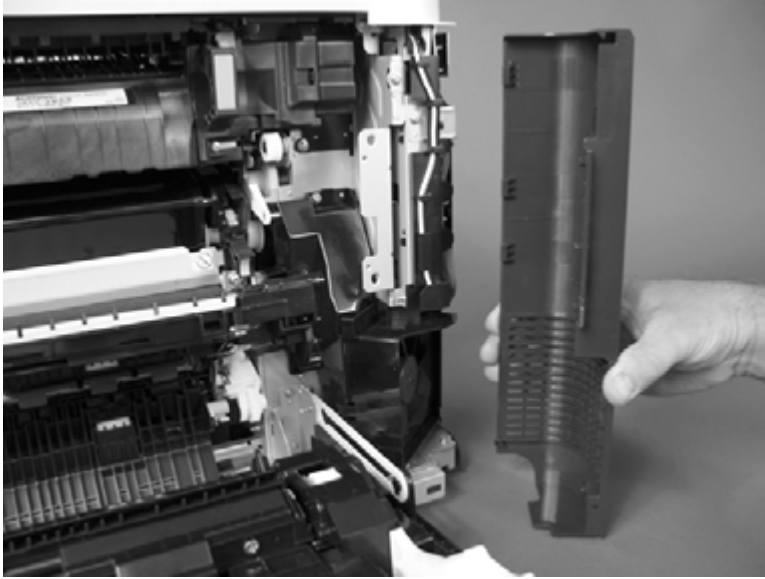
2. Remove two screws (callout 1) and release one tab (callout 2).

**Figure 1-82** Remove the right-rear cover (2 of 3)



3. Rotate the bottom of the cover away from the product, and then remove the cover.

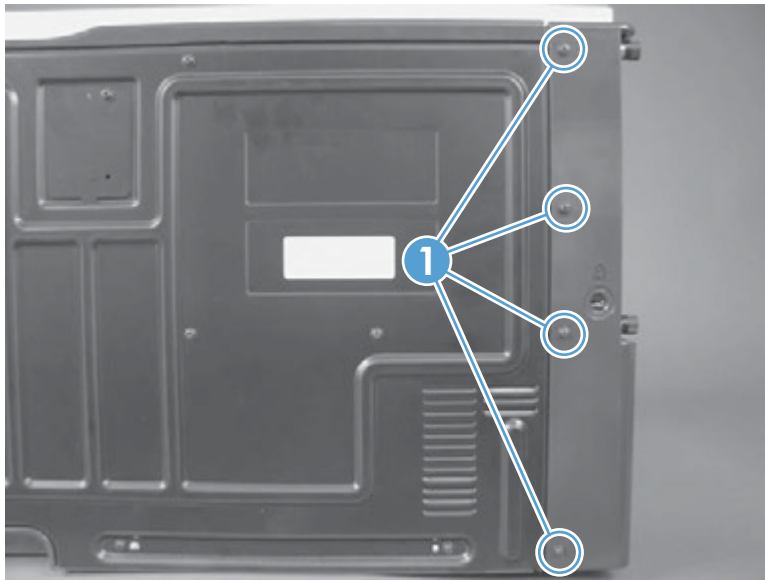
**Figure 1-83** Remove the right-rear cover (3 of 3)



## Left cover

1. Remove four screws (callout 1).

**Figure 1-84** Remove the left cover (1 of 5)



2. Release the rear edge of the cover, and slightly separate the cover from the product.

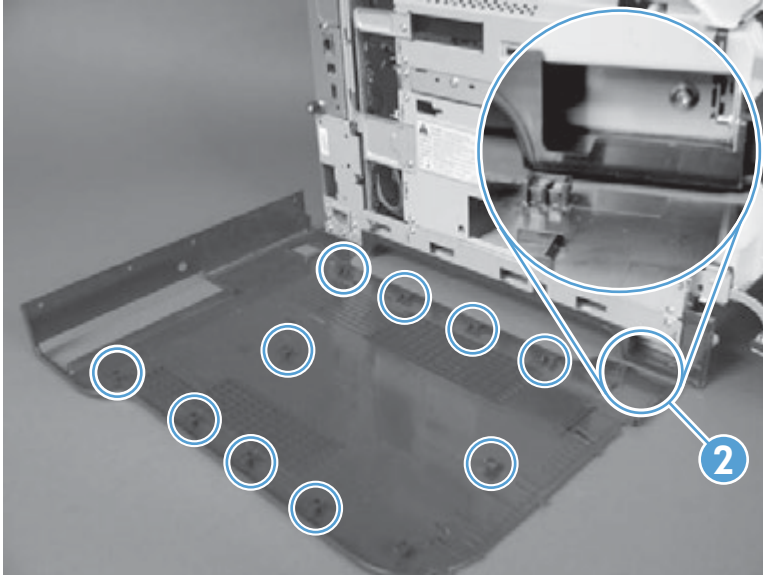
**Figure 1-85** Remove the left cover (2 of 5)



3. The figure below shows the cover removed so that you can see the tab locations. **Before proceeding**, note the location of the mounting tabs.

**CAUTION:** One tab (callout 2) is easily damaged when removing the cover. Be careful when removing the cover.

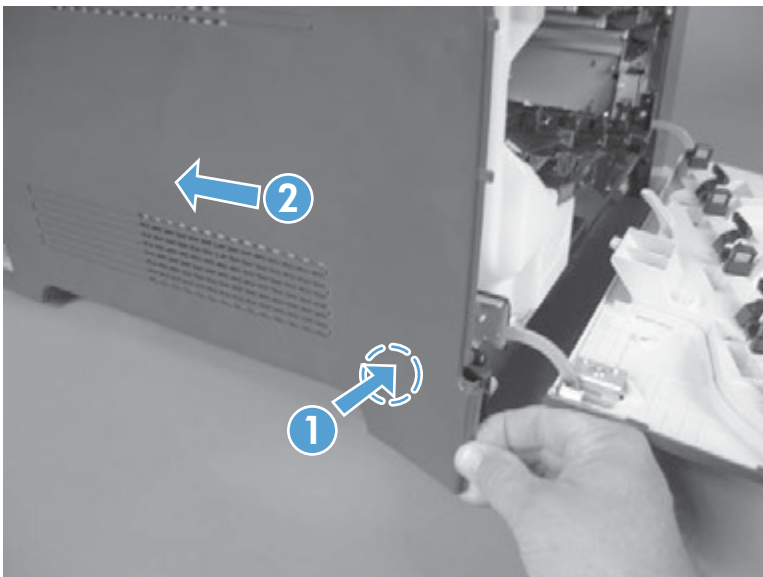
**Figure 1-86** Remove the left cover (3 of 5)



4. Use your thumb to press in on the lower-front portion of the cover (near the dashed circle in the figure below), and then slightly slide the cover away from the front door to release one tab.

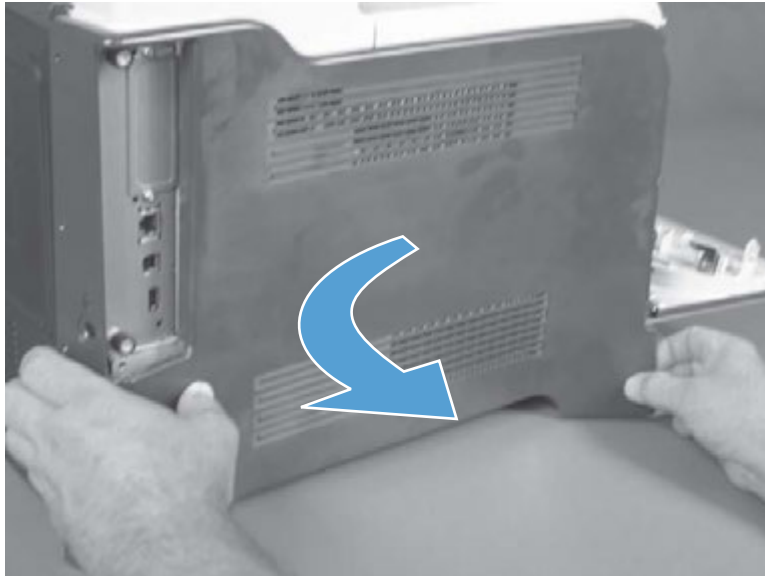
**CAUTION:** You must flex the cover enough to release the front edge of the cover, but do not damage the tab at the bottom-front edge of the cover. See callout 2 in [Figure 1-86 Remove the left cover \(3 of 5\) on page 62](#).

**Figure 1-87** Remove the left cover (4 of 5)



5. Slide the cover toward the rear of the product and rotate it away from the product and then remove the cover.

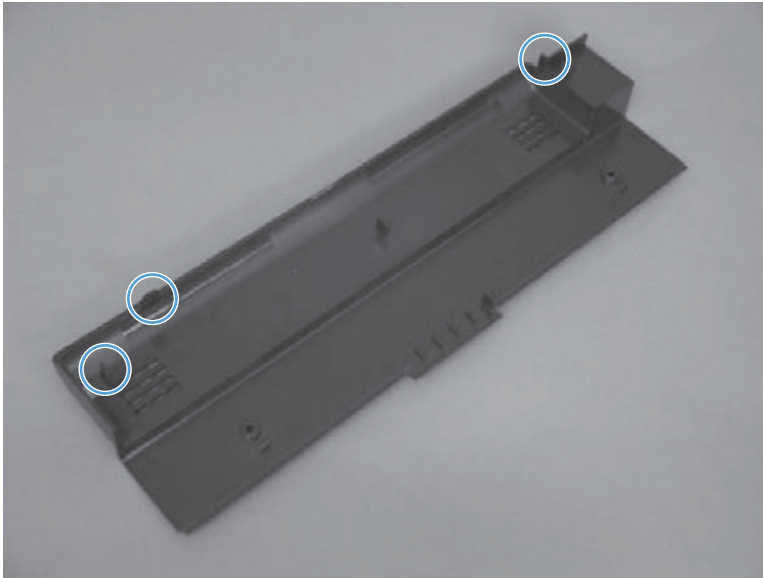
**Figure 1-88** Remove the left cover (5 of 5)



## Rear-upper cover

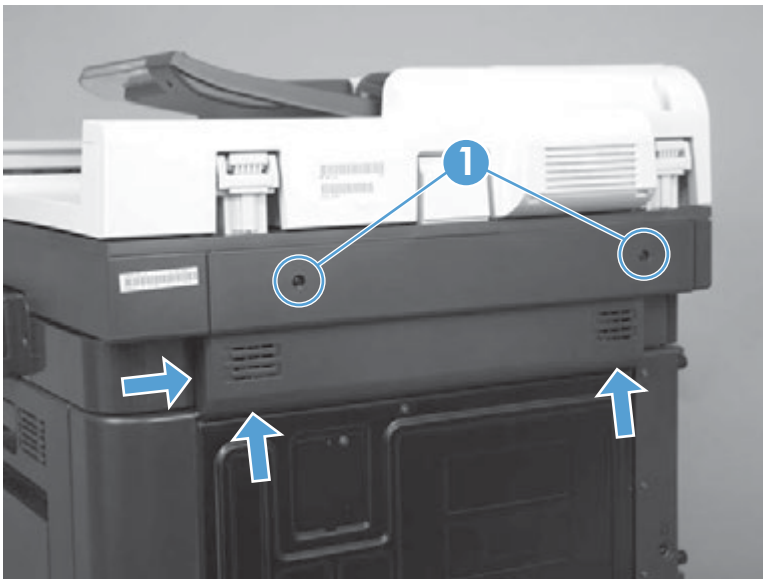
1. Note the location of the three tabs.

**Figure 1-89** Remove the rear-upper cover (1 of 3)



2. Remove two screws (callout 1). Push in to release the tabs.

**Figure 1-90** Remove the rear-upper cover (2 of 3)



3. Rotate the cover away from the product to remove.

**Figure 1-91** Remove the rear-upper cover (3 of 3)



## Left-upper cover

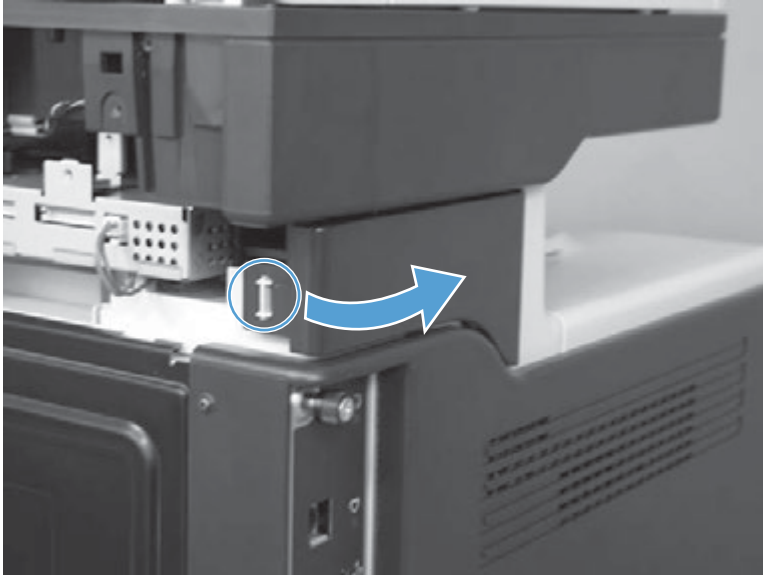
Before proceeding, remove the following components:

- Rear-upper cover. See [Rear-upper cover on page 64](#).

### Remove the left-upper cover

- ▲ Release one tab and remove the cover.

**Figure 1-92** Remove the left-upper cover



## Rear cover

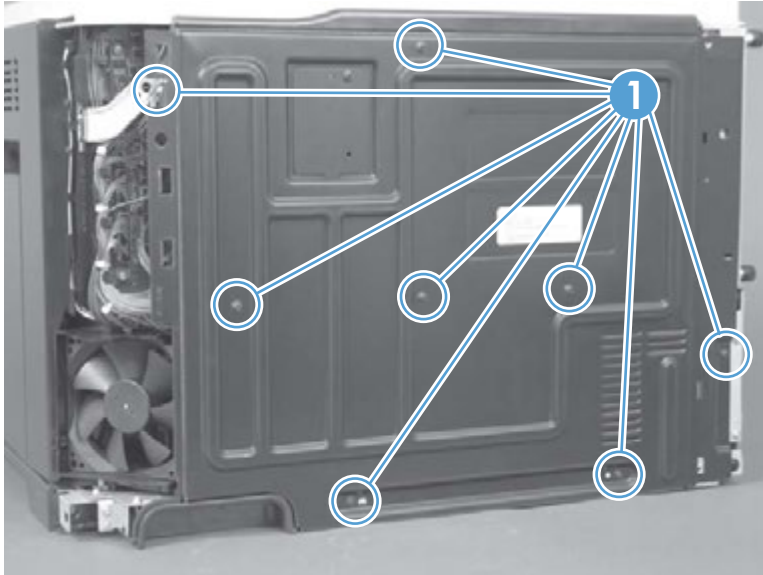
Before proceeding, remove the following components:

- Right-rear cover. See [Right-rear cover on page 59](#).
- Left cover. See [Left cover on page 61](#).
- Rear-upper cover. See [Rear-upper cover on page 64](#).

### Remove the rear cover

1. Remove eight screws (callout 1).

**Figure 1-93** Remove the rear cover (1 of 2)



2. Slide the cover toward the fan side of the product, and then remove the rear cover.

**Figure 1-94** Remove the rear cover (2 of 2)




## Right-front cover

Before proceeding, remove the following components:

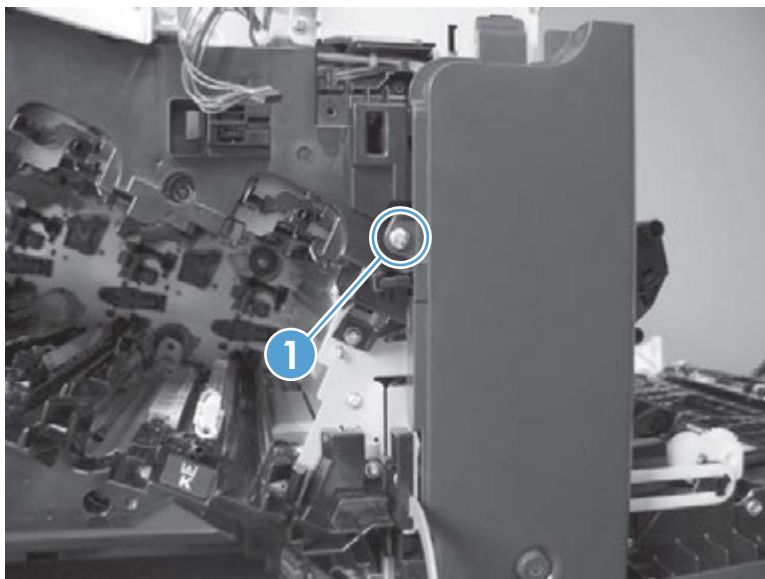
- Front-upper cover. See [Front-upper cover on page 52](#).

### Remove the right-front cover

 **NOTE:** Be careful. When removing the cover, do not dislodge the power button. If the button is dislodged, see [Reinstall the power button on page 72](#) to reinstall it.

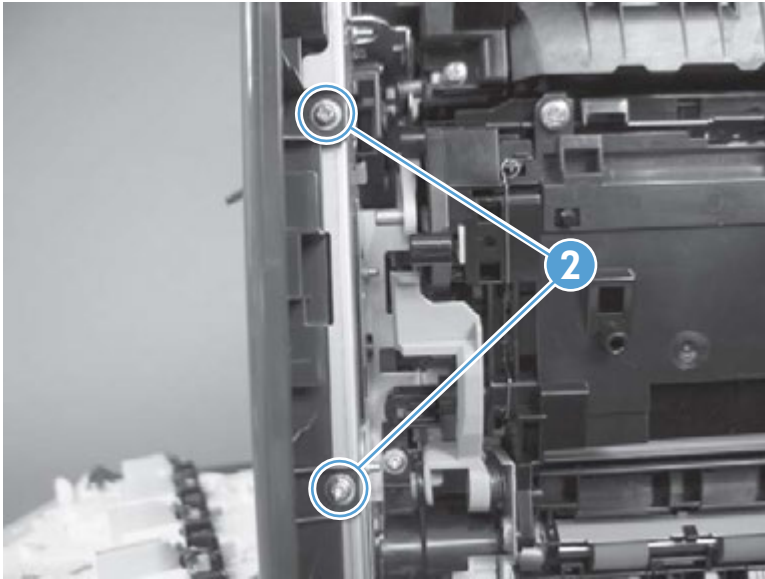
1. Remove one screw (callout 1).

**Figure 1-95** Remove the right-front cover (1 of 5)



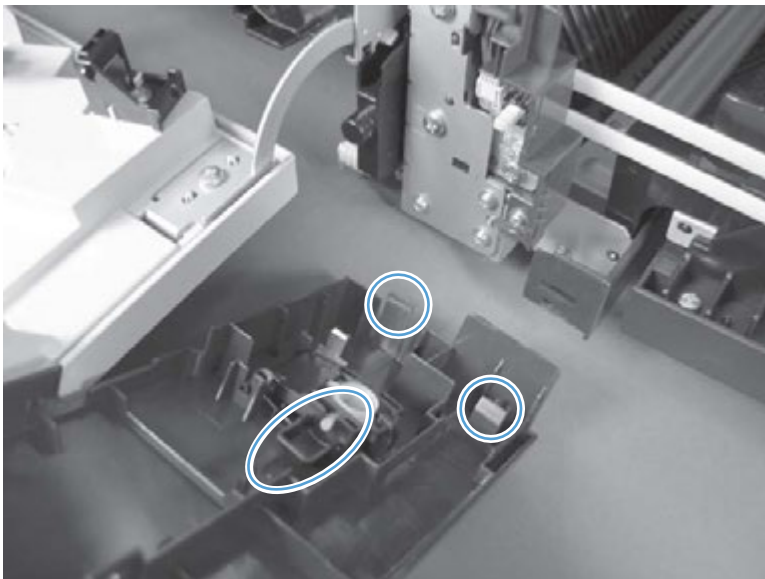
2. Remove two screws (callout 2).

**Figure 1-96** Remove the right-front cover (2 of 5)




3. Before you proceed, take note of the tab locations at the bottom of the cover.

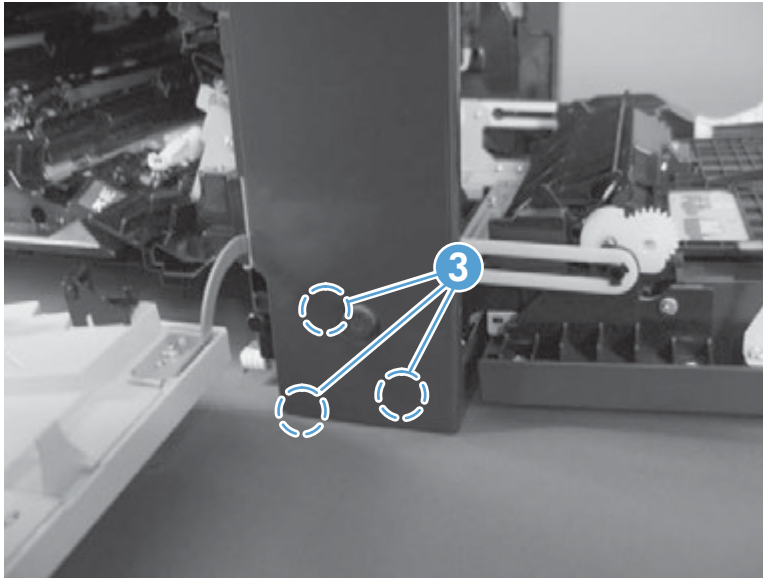
**Figure 1-97** Remove the right-front cover (3 of 5)



4. Pull down on the cover to release three tabs (callout 3).

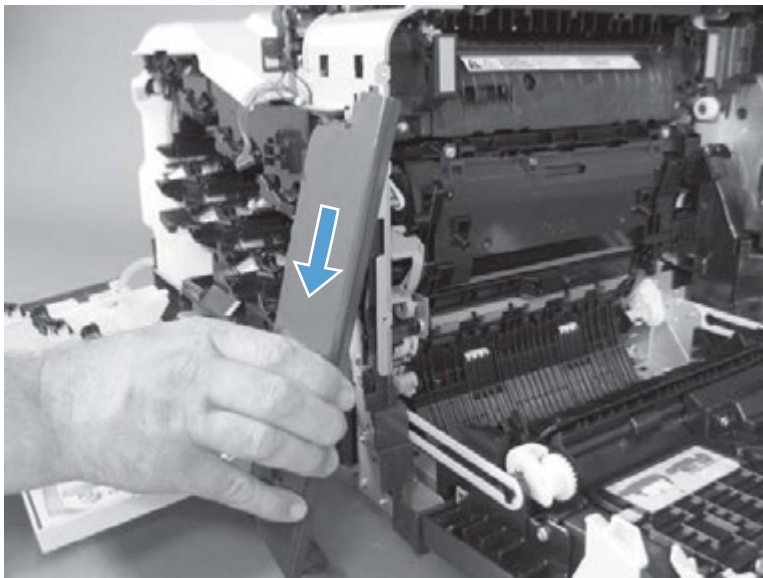
 **TIP:** It might be easier if you position the product at the edge of the work surface so that there is a space for the cover to slide downward. Or, you might try inserting a small flat blade screwdriver behind the cover, and carefully pry the cover away from the product as you pull down on the cover to release the tabs.

**Figure 1-98** Remove the right-front cover (4 of 5)



5. Rotate the bottom of the cover away from the product, and then pull down on the cover to remove it.

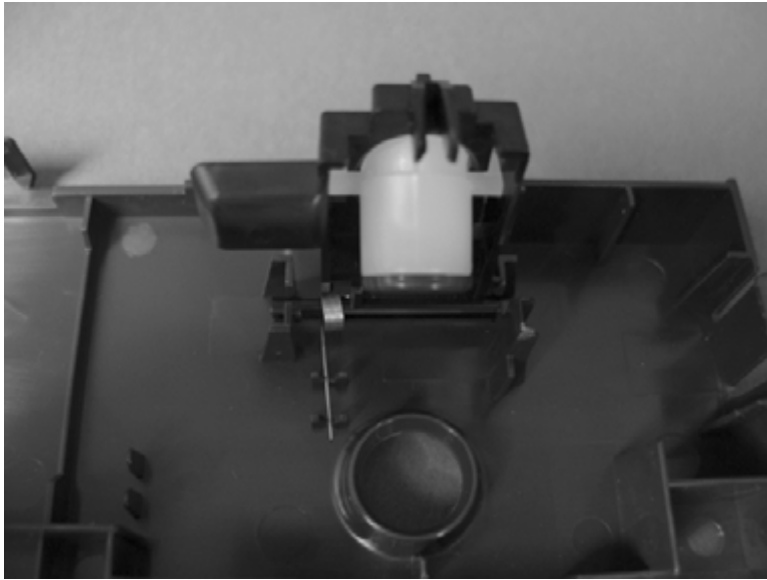
**Figure 1-99** Remove the right-front cover (5 of 5)



## Reinstall the power button

Snap the power button into the holders on the cover. Make sure that the spring is correctly installed.

**Figure 1-100** Reinstall the power button



## Delivery cover

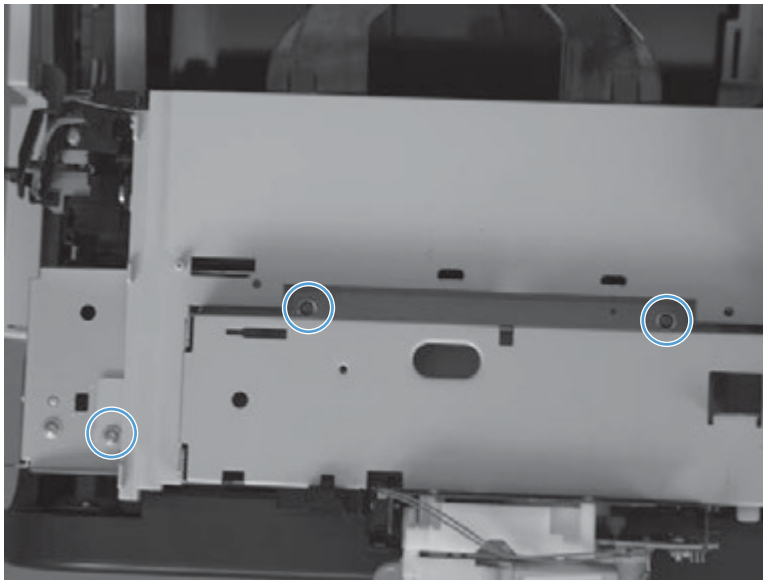
### Before proceeding, remove the following components:

- Front-upper cover. See [Front-upper cover on page 52](#).
- Stapler cover. See [Stapler cover on page 54](#).
- Rear-upper cover. See [Rear-upper cover on page 64](#).
- Left-upper cover. See [Left-upper cover on page 66](#).
- Upper-right cover. See [Upper-right cover on page 77](#).
- ADF whole unit kit. See [ADF whole unit kit on page 97](#).
- Scanner-control board (SCB). See [Scanner-control board \(SCB\) on page 101](#).
- Image scanner whole unit kit. See [Image scanner whole unit kit on page 103](#).

### Remove the delivery cover

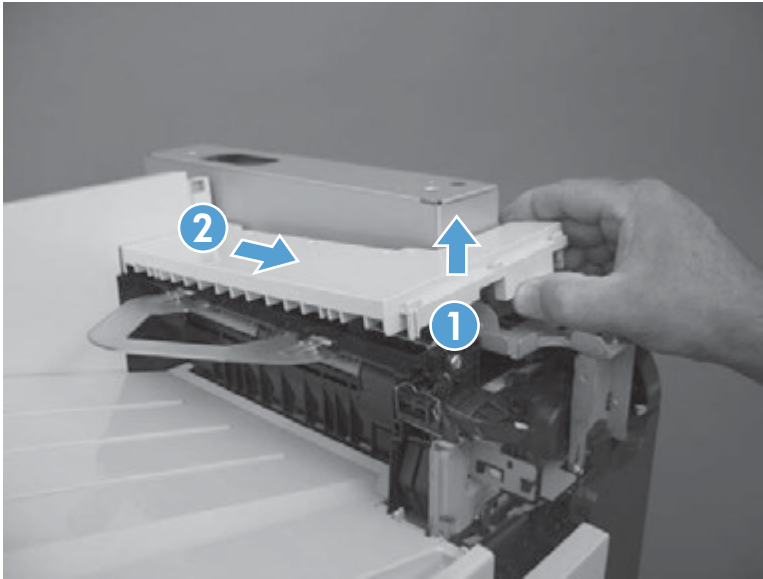
1. Remove three screws.

**Figure 1-101** Remove the delivery cover (1 of 3)



2. Lift up (callout 1) and slide the delivery cover (callout 2).

**Figure 1-102** Remove the delivery cover (2 of 3)



3. Remove the delivery cover.

**Figure 1-103** Remove the delivery cover (3 of 3)



## Right-top cover

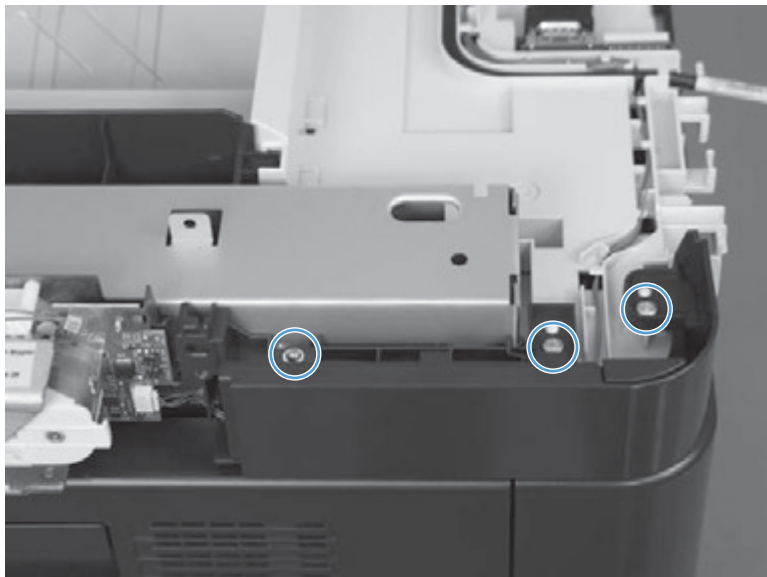
### Before proceeding, remove the following components:

- Stapler cover. See [Stapler cover on page 54](#).
- Rear-upper cover. See [Rear-upper cover on page 64](#).
- Left-upper cover. See [Left-upper cover on page 66](#).
- ADF whole unit kit. See [ADF whole unit kit on page 97](#).
- Scanner-control board (SCB). See [Scanner-control board \(SCB\) on page 101](#).
- Image scanner whole unit kit. See [Image scanner whole unit kit on page 103](#).

### Remove the right-top cover

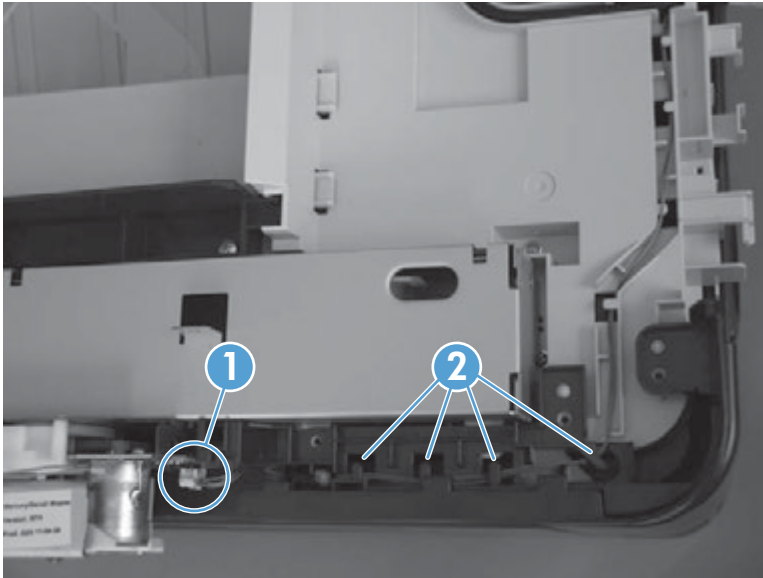
1. Remove three screws.

**Figure 1-104** Remove the right-top cover (1 of 2)



2. Disconnect one connector (callout 1), remove the wire harness from its retainer (callout 2), and remove the cover.

**Figure 1-105** Remove the right-top cover (2 of 2)



## Upper-right cover

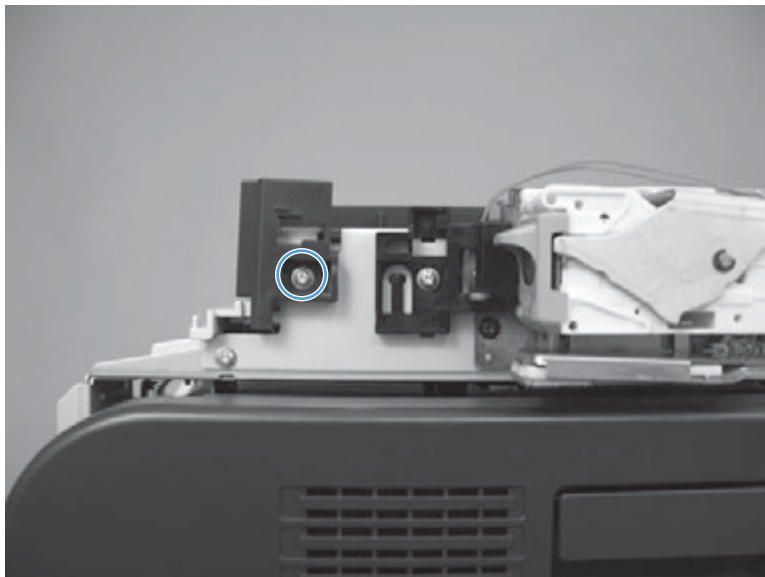
### Before proceeding, remove the following components:

- Stapler cover. See [Stapler cover on page 54](#).
- Rear-upper cover. See [Rear-upper cover on page 64](#).
- Left-upper cover. See [Left-upper cover on page 66](#).
- ADF whole unit kit. See [ADF whole unit kit on page 97](#).
- Scanner-control board (SCB). See [Scanner-control board \(SCB\) on page 101](#).
- Image scanner whole unit kit. See [Image scanner whole unit kit on page 103](#).

### Remove the upper-right cover

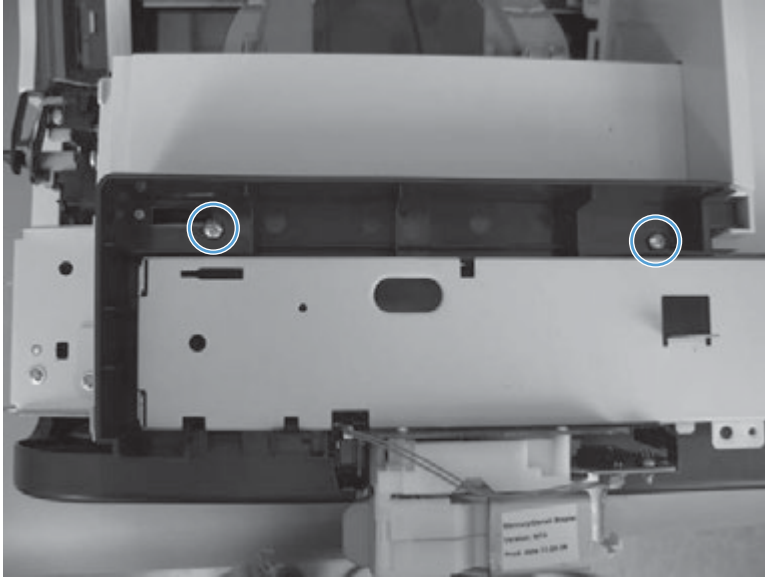
1. Remove one screw.

**Figure 1-106** Remove the upper-right cover (1 of 2)



2. Remove two screws, and remove the cover.

**Figure 1-107** Remove the upper-right cover (2 of 2)



## Front-top cover

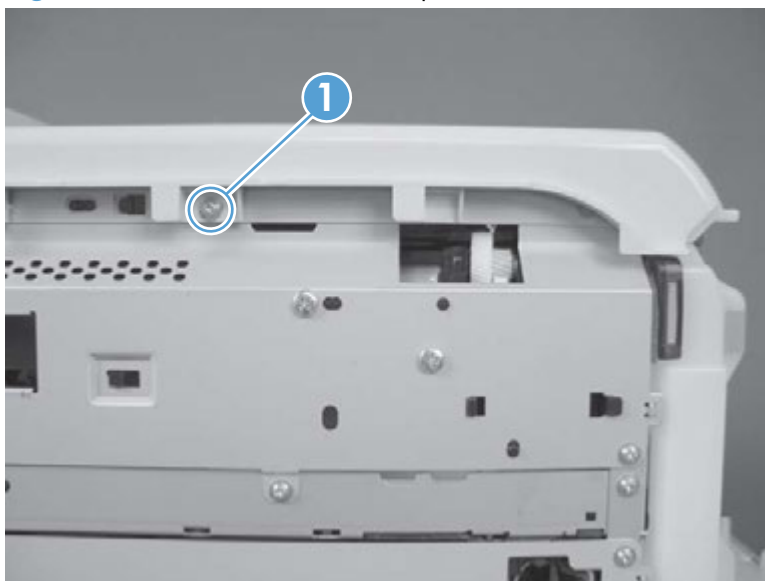
### Before proceeding, remove the following components:

- Front-upper cover. See [Front-upper cover on page 52](#).
- Stapler cover. See [Stapler cover on page 54](#).
- Rear-upper cover. See [Rear-upper cover on page 64](#).
- Left-upper cover. See [Left-upper cover on page 66](#).
- Left cover. See [Left cover on page 61](#).
- ADF whole unit kit. See [ADF whole unit kit on page 97](#).
- Scanner-control board (SCB). See [Scanner-control board \(SCB\) on page 101](#).
- Image scanner whole unit kit. See [Image scanner whole unit kit on page 103](#).

### Remove the front-top cover

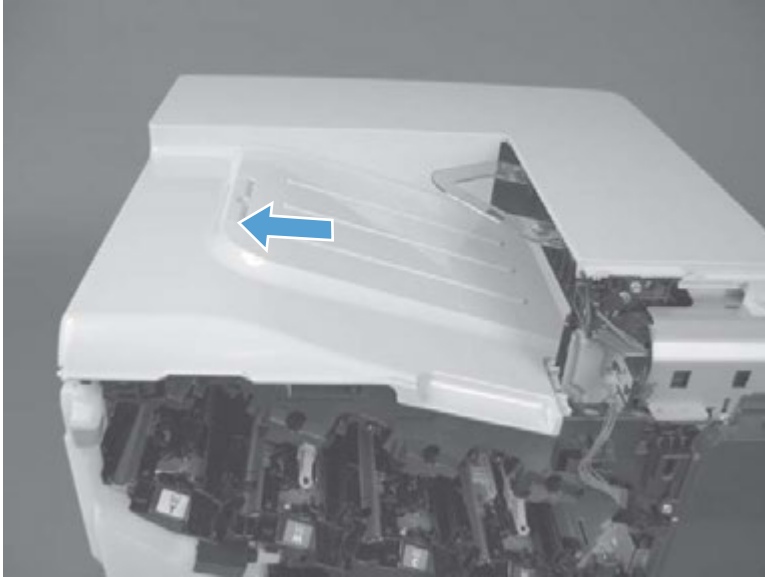
1. Remove one screw (callout 1).

**Figure 1-108** Remove the front-top cover (1 of 2)



2. Slide the cover toward the left side of the product to release it, and then remove the cover.

**Figure 1-109** Remove the front-top cover (2 of 2)



## Rear-top cover

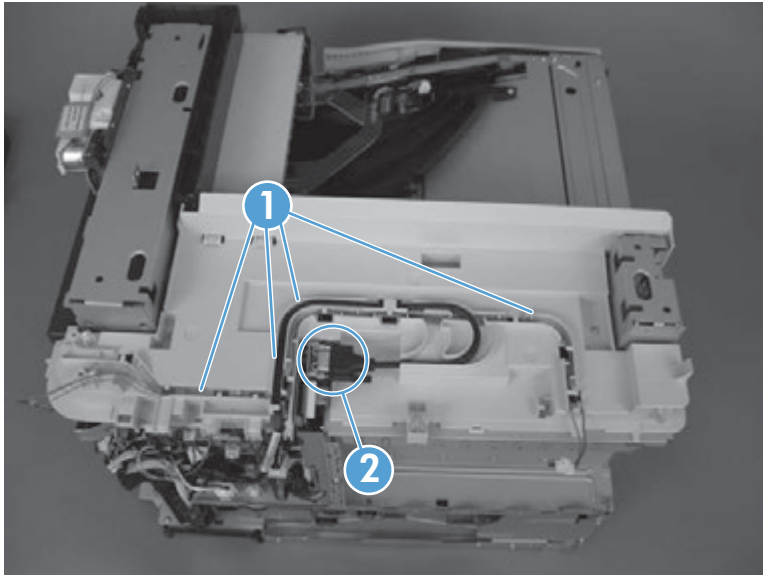
### Before proceeding, remove the following components:

- Stapler cover. See [Stapler cover on page 54](#).
- Rear-upper cover. See [Rear-upper cover on page 64](#).
- Left-upper cover. See [Left-upper cover on page 66](#).
- Rear cover. See [Rear cover on page 67](#).
- Delivery cover. See [Delivery cover on page 73](#).
- Front-top cover. See [Front-top cover on page 79](#).
- ADF whole unit kit. See [ADF whole unit kit on page 97](#).
- Scanner-control board (SCB). See [Scanner-control board \(SCB\) on page 101](#).
- Image scanner whole unit kit. See [Image scanner whole unit kit on page 103](#).

### Remove the rear-top cover

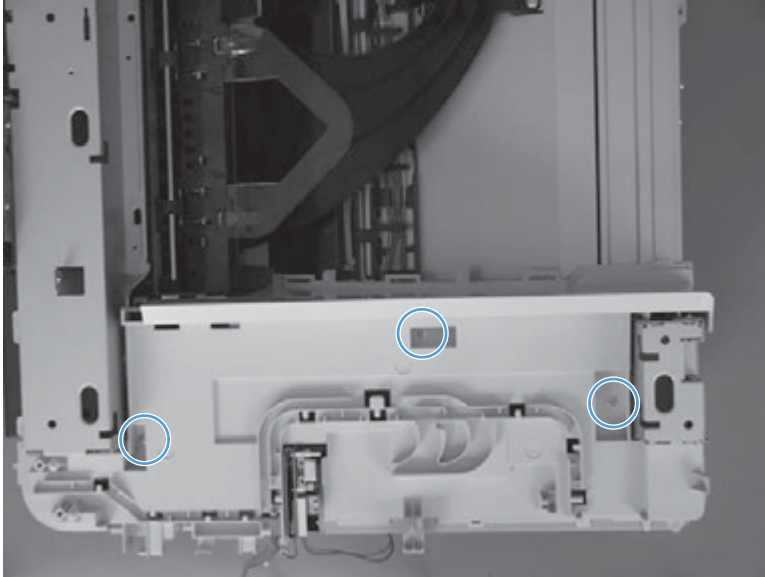
1. Release the wire harness from its retainers (callout 1), and disconnect the cable (callout 2).

**Figure 1-110** Remove the rear-top cover (1 of 2)



2. Remove three screws, and then remove the cover.

**Figure 1-111** Remove the rear-top cover (2 of 2)

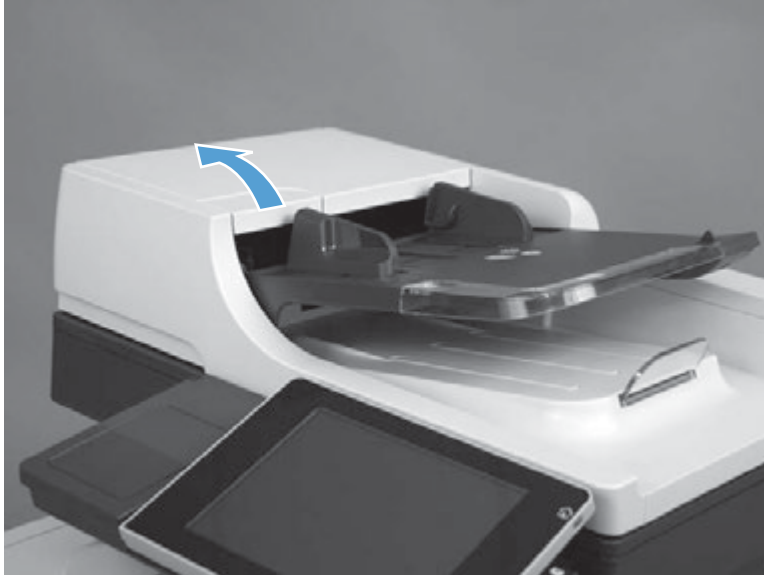


## ADF assemblies and scanner

### Cover front (ADF front cover)

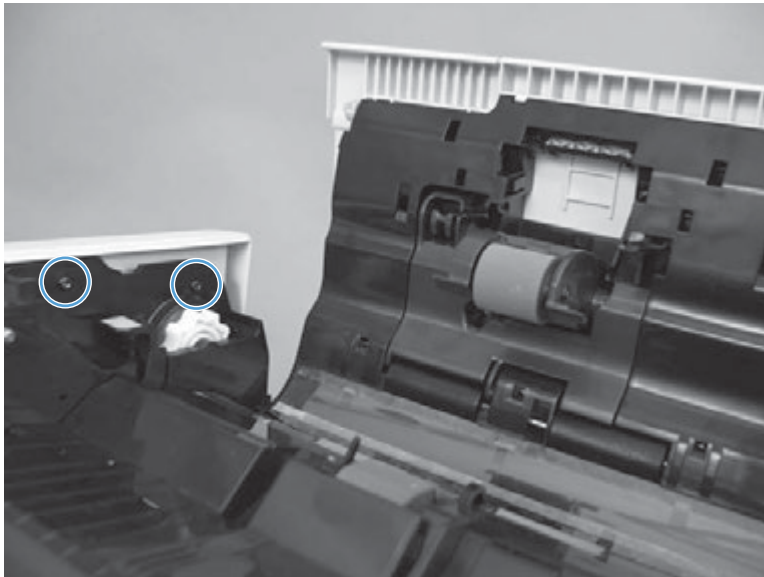
1. Open the jam-access cover.

**Figure 1-112** Remove the ADF front cover (1 of 4)



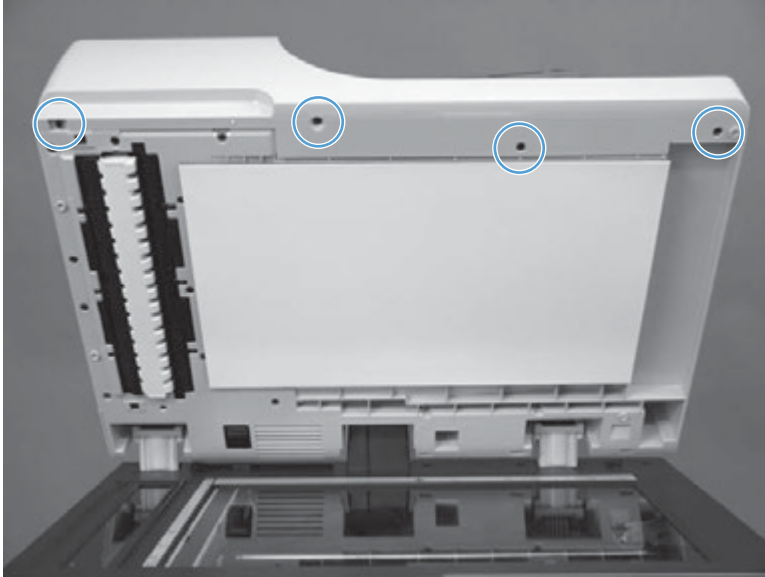
2. Remove two screws.

**Figure 1-113** Remove the ADF front cover (2 of 4)



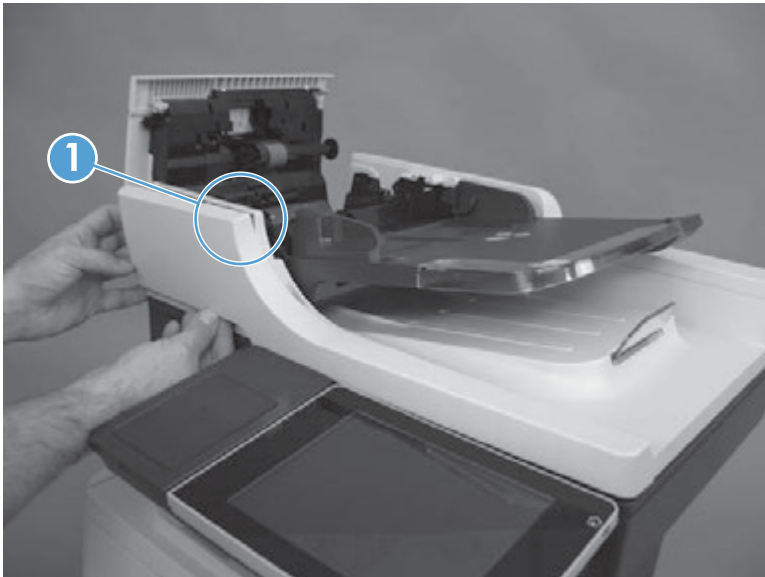
3. Open the ADF, and then remove four screws.

**Figure 1-114** Remove the ADF front cover (3 of 4)



4. Release one tab (callout 1), and then remove the cover.

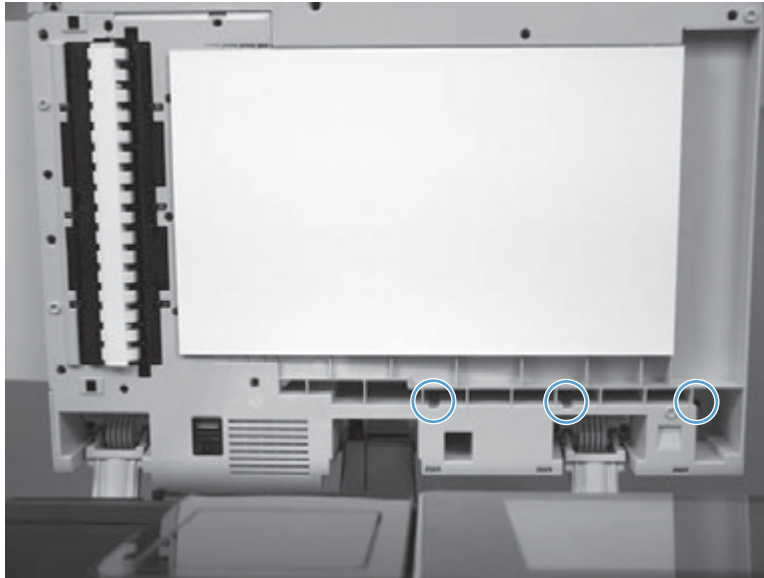
**Figure 1-115** Remove the ADF front cover (4 of 4)



## Cover rear (ADF rear cover)

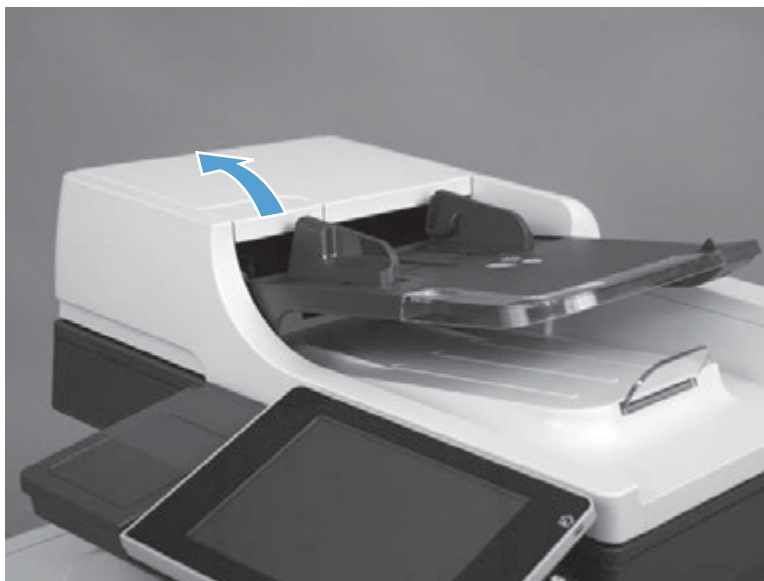
1. Open the ADF, and then remove three screws.

**Figure 1-116** Remove the ADF rear cover (1 of 4)



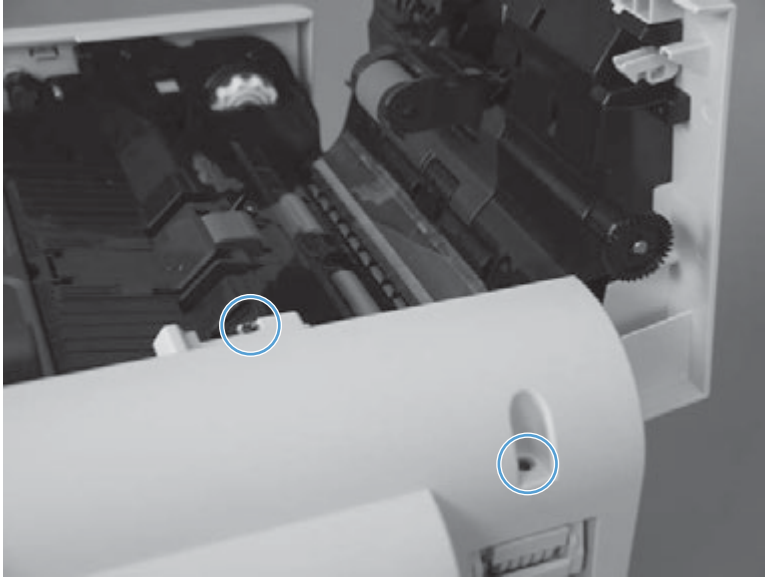
2. Close the ADF and then open the jam-access cover.

**Figure 1-117** Remove the ADF rear cover (2 of 4)



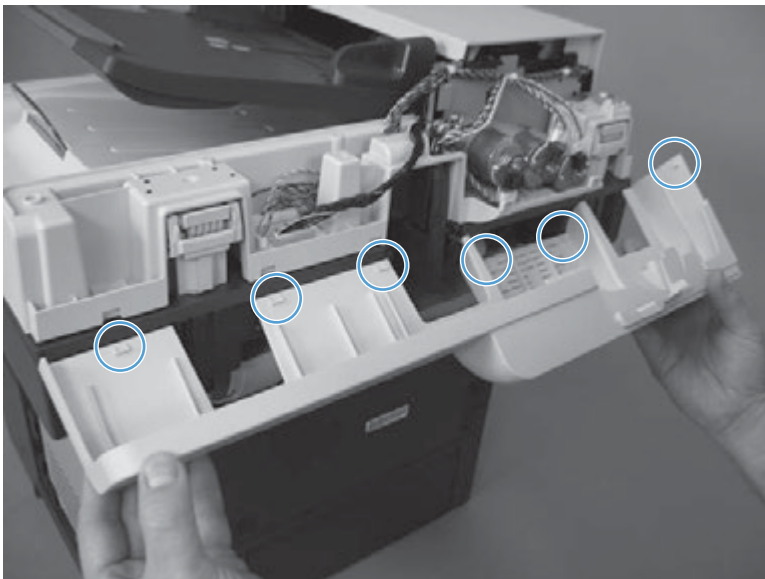
3. Remove two screws.

**Figure 1-118** Remove the ADF rear cover (3 of 4)



4. Release six tabs and remove the cover.

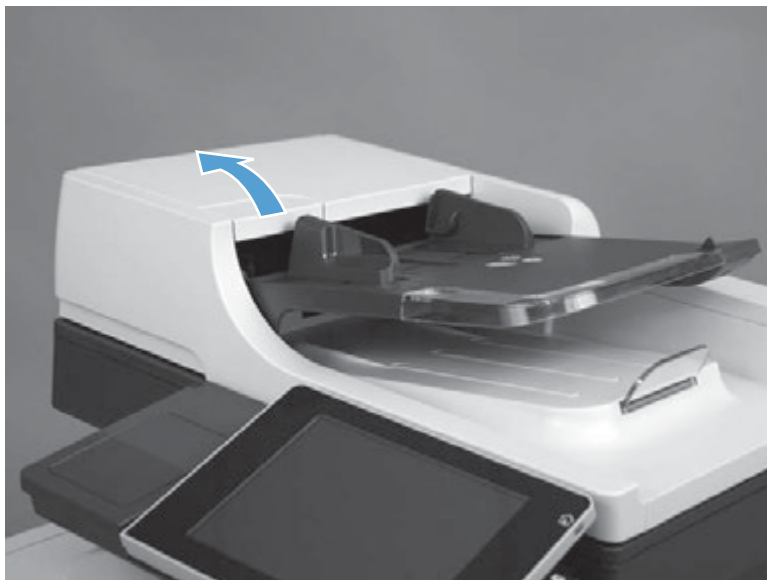
**Figure 1-119** Remove the ADF rear cover (4 of 4)



## Deskew mylar and separation mylar

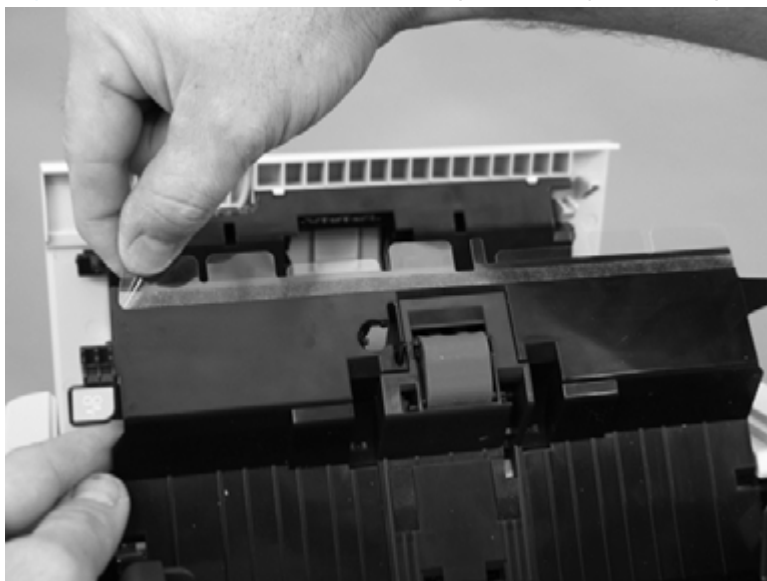
1. Open the jam-access cover.

**Figure 1-120** Remove the deskew mylar and separation mylar (1 of 3)



2. Carefully peel off the deskew mylar

**Figure 1-121** Remove the deskew mylar and separation mylar (2 of 3)



3. Carefully peel off the separation mylar.

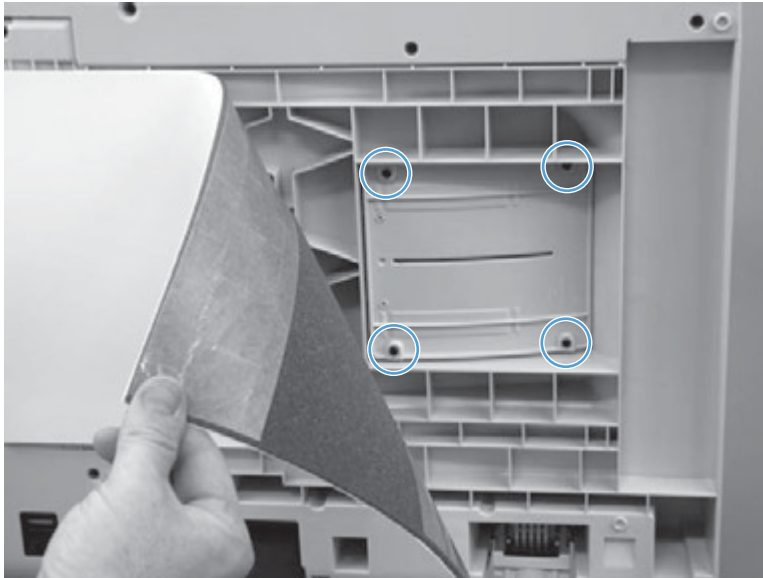
**Figure 1-122** Remove the deskew mylar and separation mylar (3 of 3)



## ADF tray extender

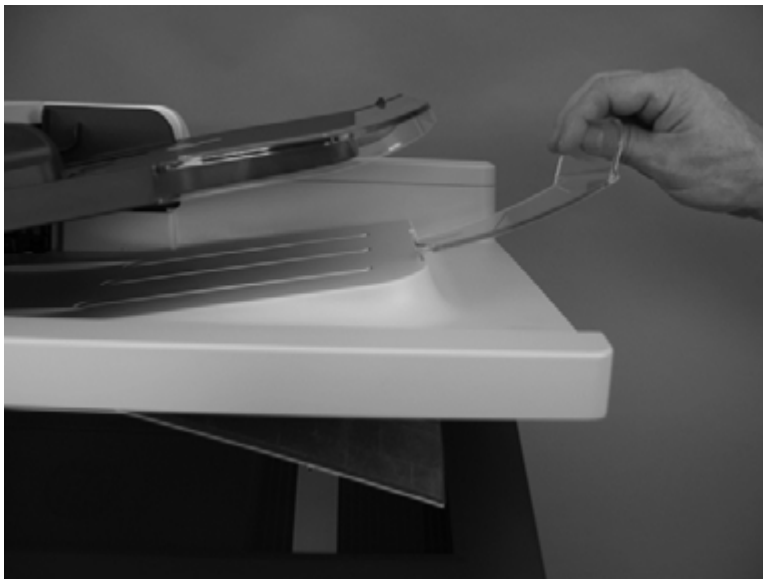
1. Peel the foam reflector back, and then remove four screws.

**Figure 1-123** Remove the ADF tray extender (1 of 2)



2. Pull the ADF tray extender away from the product to remove.

**Figure 1-124** Remove the ADF tray extender (2 of 2)

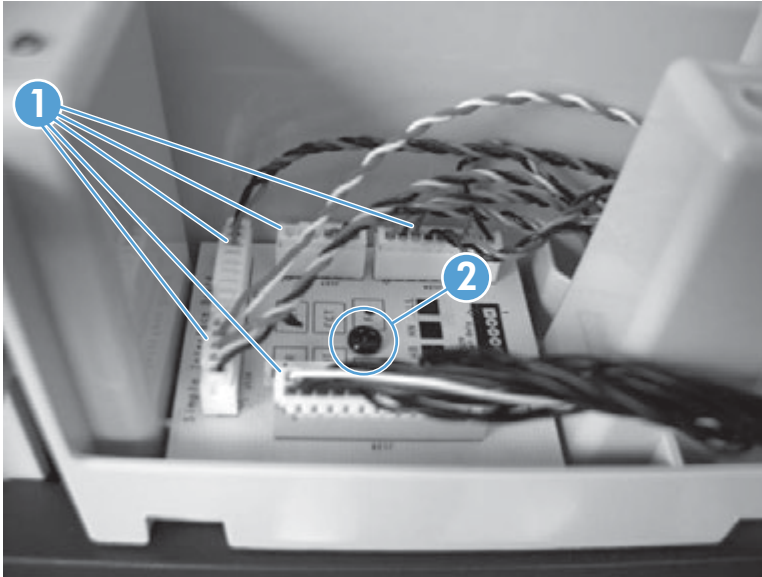


## ADF PCA

**⚠ WARNING!**  ESD sensitive component.

1. Before proceeding, remove the following:
  - Cover rear (ADF rear cover). See [Cover rear \(ADF rear cover\) on page 85](#).
2. Disconnect five connectors (callout 1), remove one screw (callout 2), and then remove the PCA.

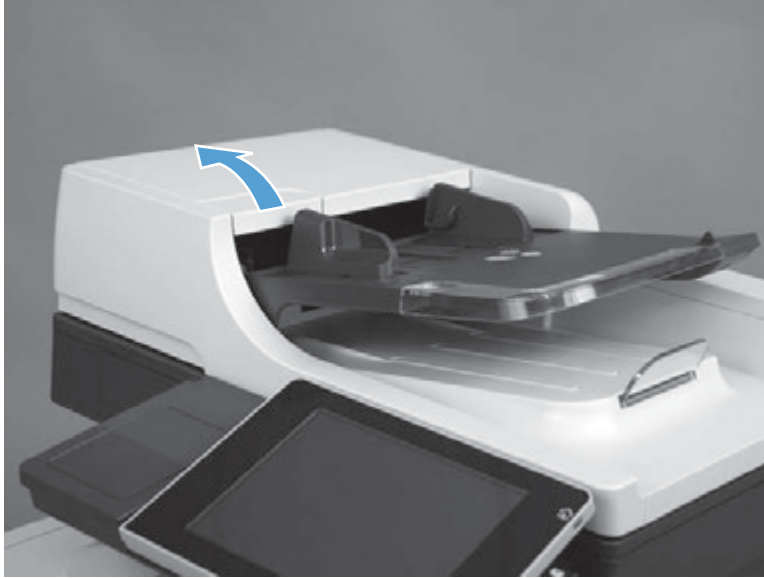
**Figure 1-125** Remove the ADF PCA



## ADF jam-access cover

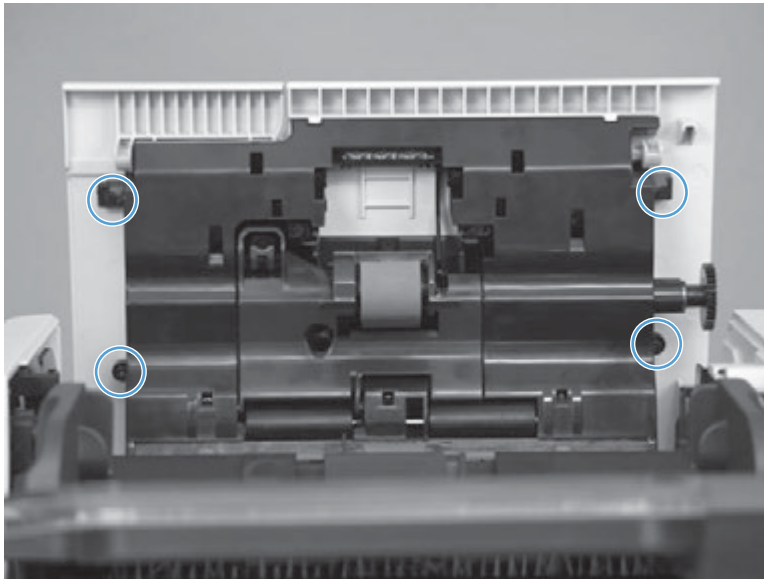
1. Open the ADF jam-access cover.

**Figure 1-126** Remove the ADF jam-access cover (1 of 5)



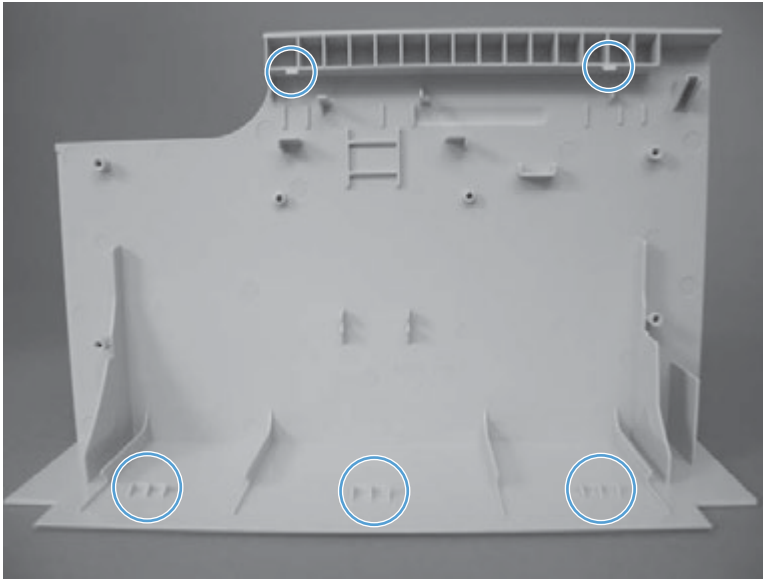
2. Remove four screws.

**Figure 1-127** Remove the ADF jam-access cover (2 of 5)



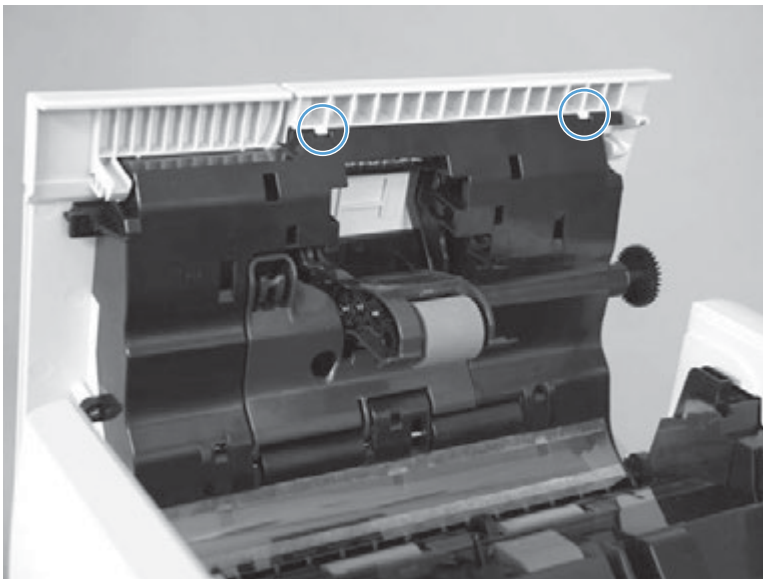
3. Before removing the cover, note the location of the tabs.

**Figure 1-128** Remove the ADF jam-access cover (3 of 5)



4. Release two tabs.

**Figure 1-129** Remove the ADF jam-access cover (4 of 5)




5. Close the ADF jam-access cover, and then release the remaining three tabs and remove the cover.

**Figure 1-130** Remove the ADF jam-access cover (5 of 5)

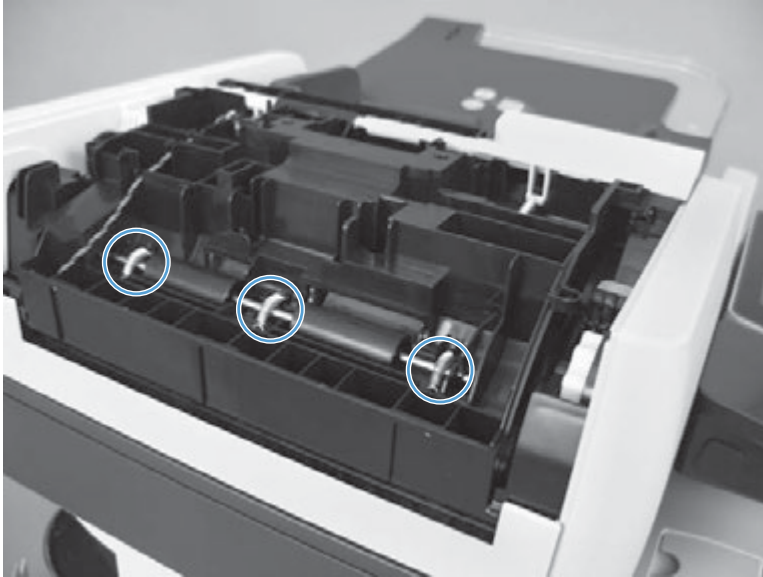


## ADF roller cover

1. Before proceeding, remove the following:
  - ADF jam-access cover. See [ADF jam-access cover on page 91](#).
2. Remove three springs.

 **Reinstallation tip** Use needle nose pliers to reattach the spring. Attach the spring to the bottom hook first.

**Figure 1-131** Remove the ADF roller cover (1 of 4)



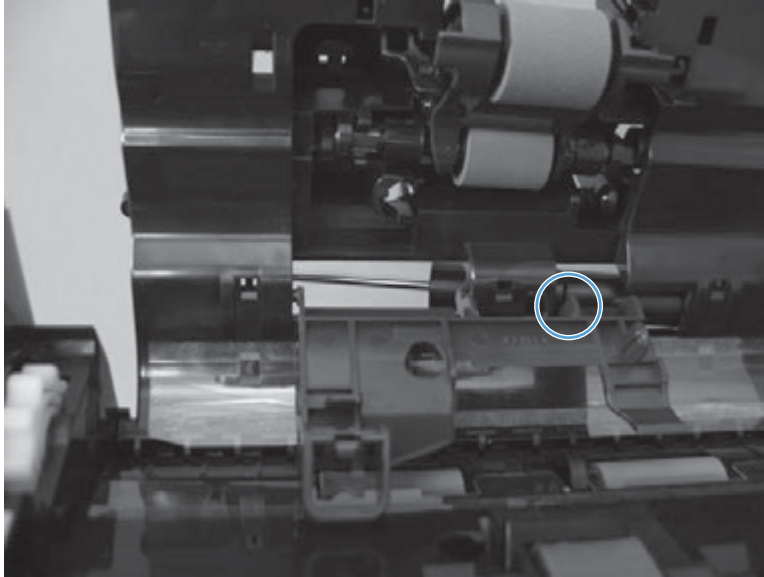
3. Lift and slide the rod.

**Figure 1-132** Remove the ADF roller cover (2 of 4)



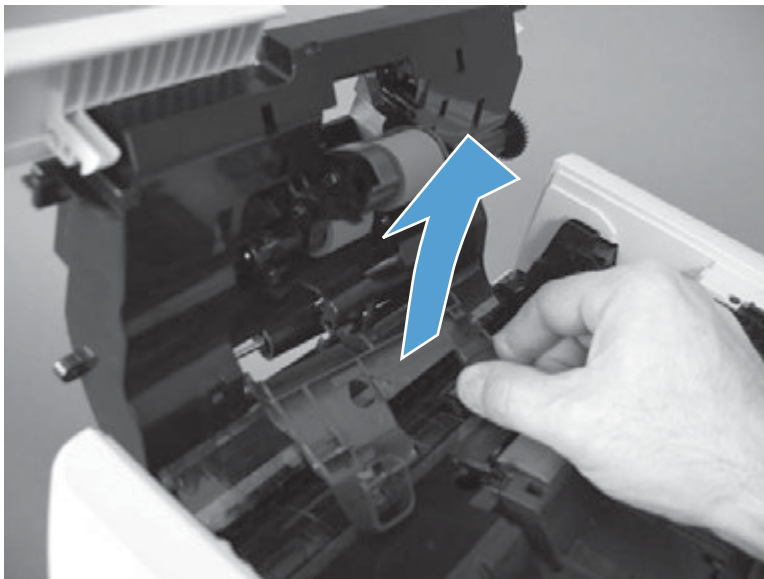
4. Open the jam-access cover. Release one hinge.

**Figure 1-133** Remove the ADF roller cover (3 of 4)



5. Remove the ADF roller cover.

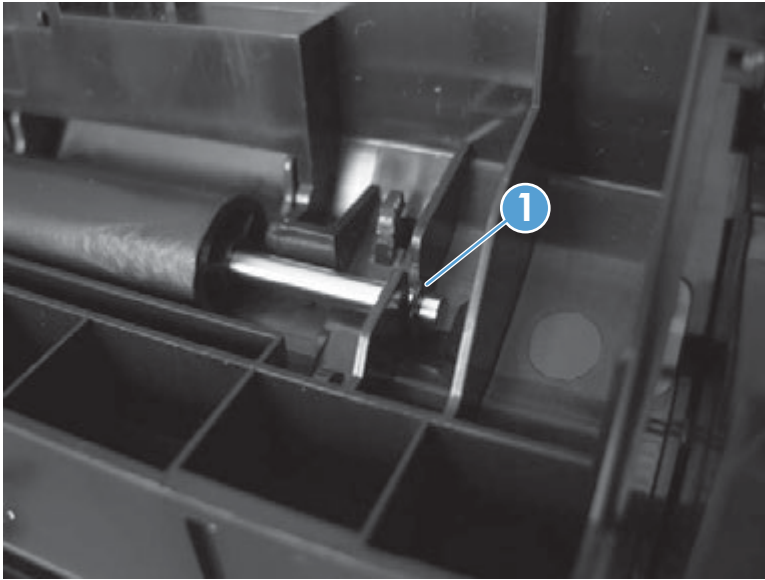
**Figure 1-134** Remove the ADF roller cover (4 of 4)



## Reinstall the ADF roller cover

- ▲ Make sure the rod for the roller is installed in the correct position (callout 1).


**Figure 1-135** Reinstall the ADF roller cover



## ADF whole unit kit

### Before proceeding, remove the following:

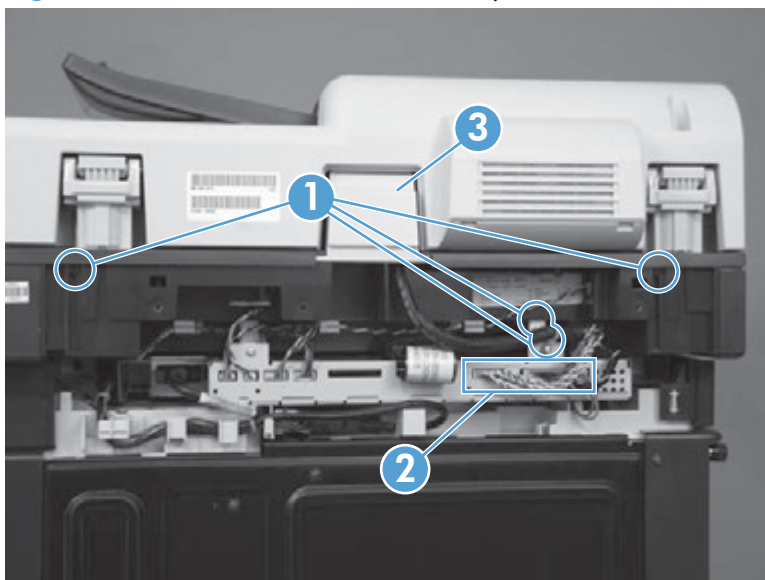
- Rear-upper cover. See [Rear-upper cover on page 64](#).
- Foam reflector kit. See [Foam reflector kit \(white ADF backing\) on page 38](#).

 **NOTE:** After removing the ADF assembly, place it on a clean, dry, and smooth surface.

You must replace the foam reflector kit (white ADF backing) and calibrate the scanner.

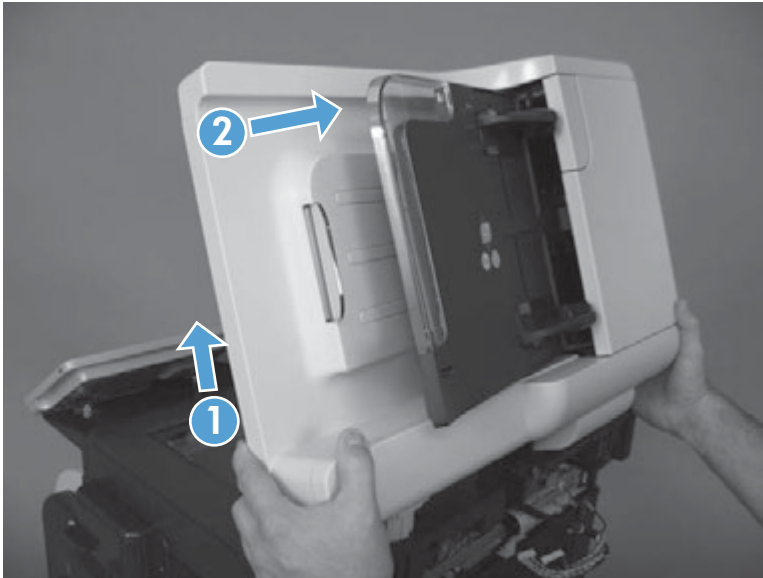
1. Remove four screws (callout 1), release two connectors (callout 2), and remove the ADF cable cover (callout 3).

**Figure 1-136** Remove the ADF assembly (1 of 2)



2. Open the ADF. Lift the ADF straight up until it stops (callout 1), and then slightly tilt it (callout 2) toward the rear of the product. Continue lifting the ADF straight up to remove it.

**Figure 1-137** Remove the ADF assembly (2 of 2)



## Reinstall the ADF

### Install ADF white backing on new ADF

- ▲ If a replacement ADF, image scanner, or both assemblies are installed, you must install a replacement foam reflector kit. See [Foam reflector kit \(white ADF backing\) on page 38](#).

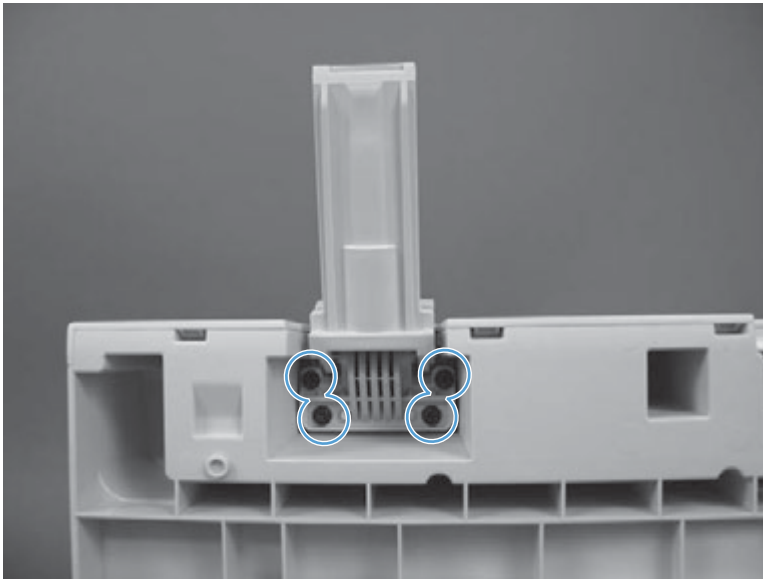
### Calibrate a replacement ADF assembly

1. On the control-panel Home screen, scroll to and touch [Device Maintenance](#).
2. Touch [Calibration/Cleaning](#).
3. Touch [Calibrate Scanner](#).
4. Follow the instructions on the control-panel display.

## ADF hinge assy

1. Before proceeding, remove the following:
  - Rear-upper cover. See [Rear-upper cover on page 64](#).
  - Foam reflector kit (white ADF backing). See [Foam reflector kit \(white ADF backing\) on page 38](#).
  - ADF whole unit kit. See [ADF whole unit kit on page 97](#).
2. Remove four screws and the ADF hinge assembly.

**Figure 1-138** Remove the ADF hinge assembly



## Scanner-control board (SCB)

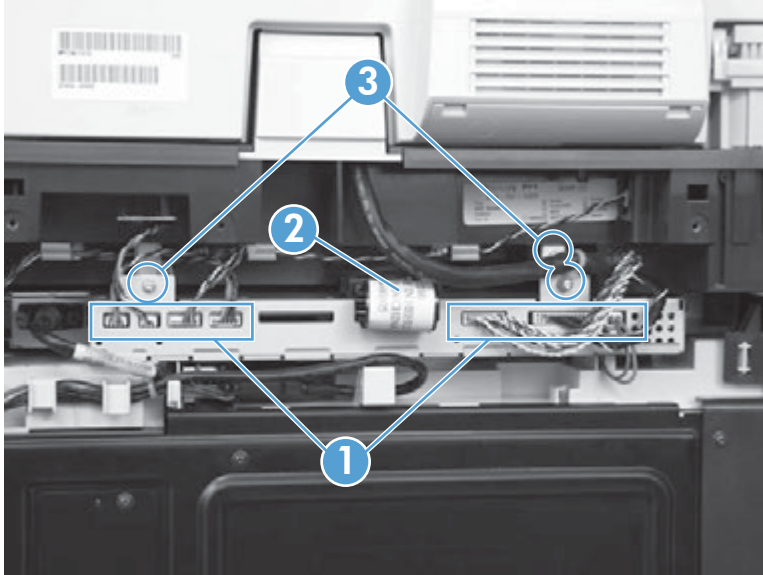
### Before proceeding, remove the following components:

- Rear-upper cover. See [Rear-upper cover on page 64](#).

### Remove the SCB

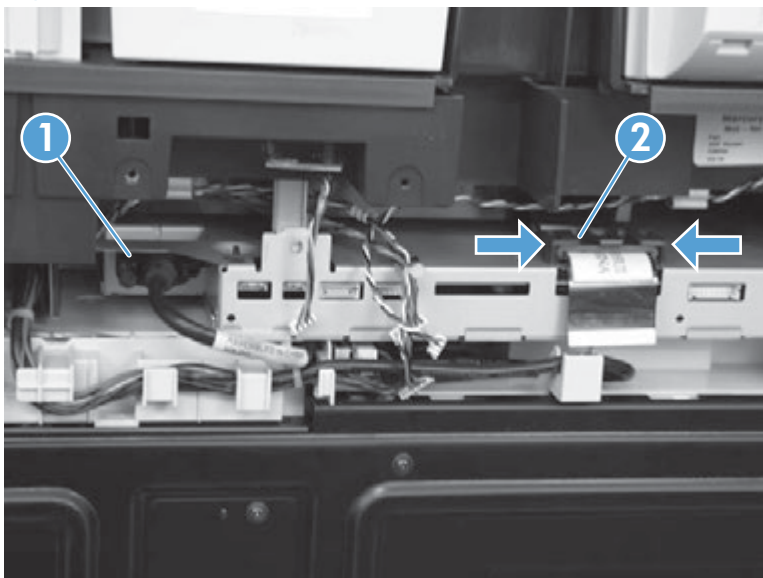
1. Release seven connectors (callout 1) and one FFC (callout 2), and three screws (callout 3).

**Figure 1-139** Remove the SCB (1 of 2)



2. Remove one screw and the scanner cable (callout 1). Release two tabs and then remove the bracket holding the ferrite core (callout 2). Remove the SCB by pulling it toward the rear of the product. Be careful to avoid damage to the cables and connectors.

**Figure 1-140** Remove the SCB (2 of 2)

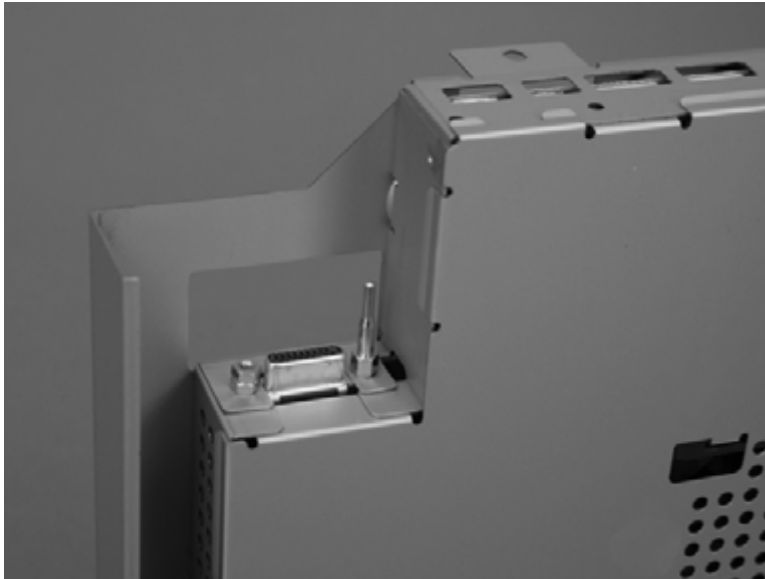


## Reinstall the SCB

When reinstalling the SCB, note the locator pin for the scanner cable. It might be easier to install the scanner cable with a screw driver.

**⚠ WARNING!** Do not over tighten the screw when installing the cable. Over tightening the screw can cause the nut to shear off of the SCB cage.

**Figure 1-141** Reinstalling the SCB (1 of 2)



**⚠ CAUTION:** Reinstall the FFC in the lower FFC connector position.

**Figure 1-142** Reinstalling the SCB (2 of 2)



## Image scanner whole unit kit

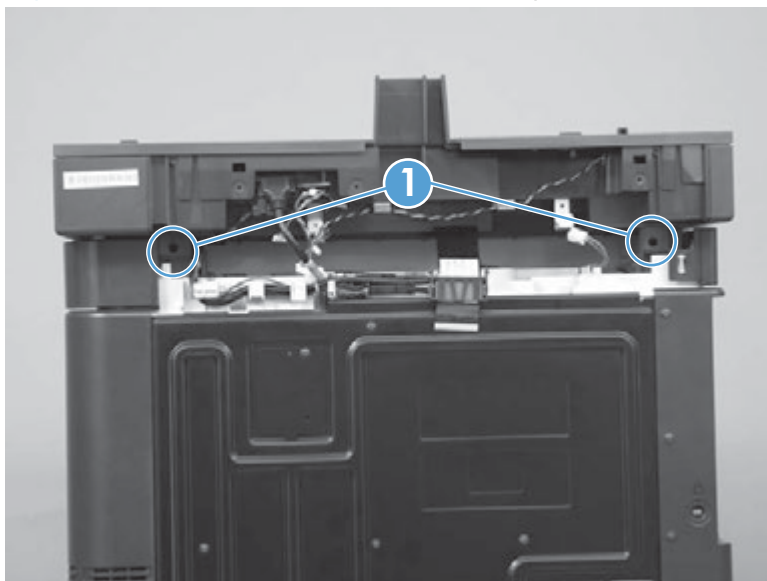
### Before proceeding, remove the following components:

- Stapler cover. See [Stapler cover on page 54](#).
- Rear-upper cover. See [Rear-upper cover on page 64](#).
- Left-upper cover. See [Left-upper cover on page 66](#).
- ADF whole unit kit. See [ADF whole unit kit on page 97](#).
- Scanner-control board (SCB). See [Scanner-control board \(SCB\) on page 101](#).

### Remove the scanner assembly

1. Remove two screws (callout 1).

**Figure 1-143** Remove the scanner assembly (1 of 6)



2. Remove one screw on the right side of the scanner.

**Figure 1-144** Remove the scanner assembly (2 of 6)



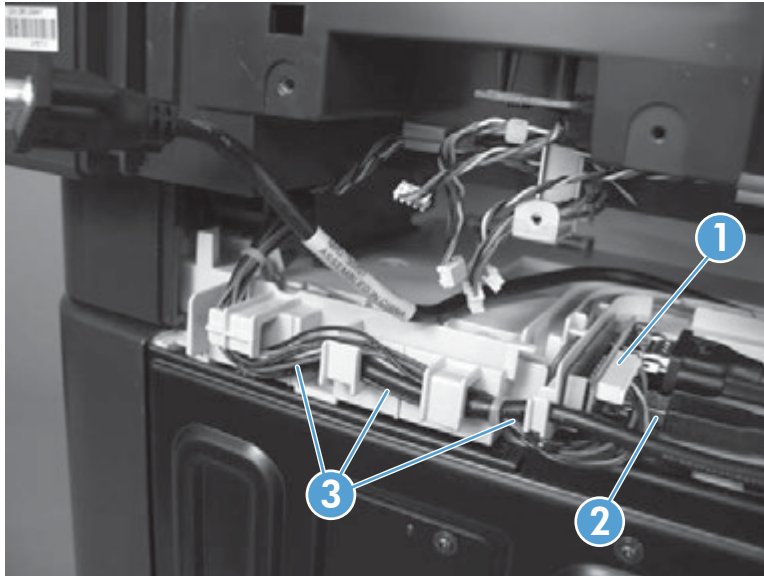
3. Remove one screw on the left side of the scanner.

**Figure 1-145** Remove the scanner assembly (3 of 6)



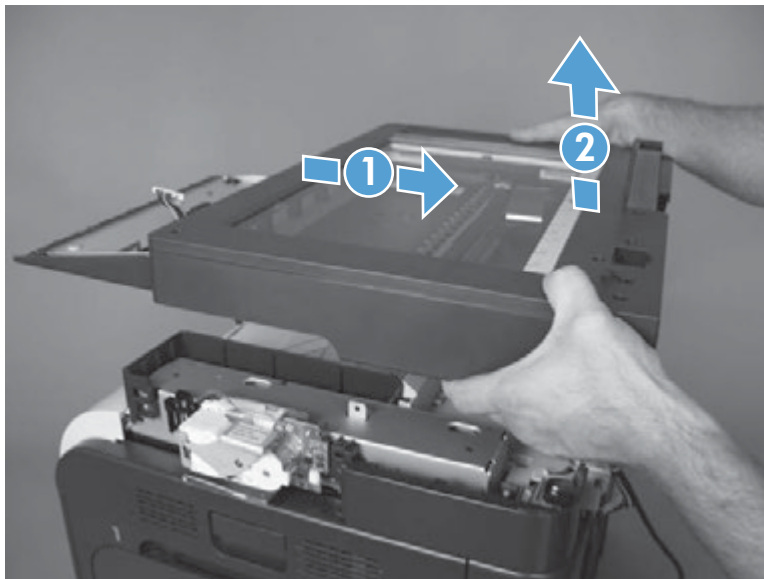
4. Disconnect the control panel cable (callout 1) and the USB cable (callout 2). Release the cables from the retainers (callout 3).

**Figure 1-146** Remove the scanner assembly (4 of 6)



5. Slide the scanner toward the back of the product (callout 1) and then lift (callout 2) to remove it.

**Figure 1-147** Remove the scanner assembly (5 of 6)



## Reinstall the scanner


### Install foam reflector kit (white backing) on the new ADF

- ▲ If a replacement ADF, image scanner, or both assemblies are installed, you must install a replacement foam reflector kit. See [Foam reflector kit \(white ADF backing\) on page 38](#).

## Calibrate the scanner

1. On the control-panel Home screen, scroll to and touch [Device Maintenance](#).
2. Touch [Calibration/Cleaning](#).
3. Touch [Calibrate Scanner](#).
4. Follow the instructions on the control-panel display.

## Internal assemblies

 **TIP:** For clarity, some photos in this chapter show components removed that would not be removed to service the product. If necessary, remove the components listed at the beginning of a procedure before proceeding to service the product.

### Stapler assembly

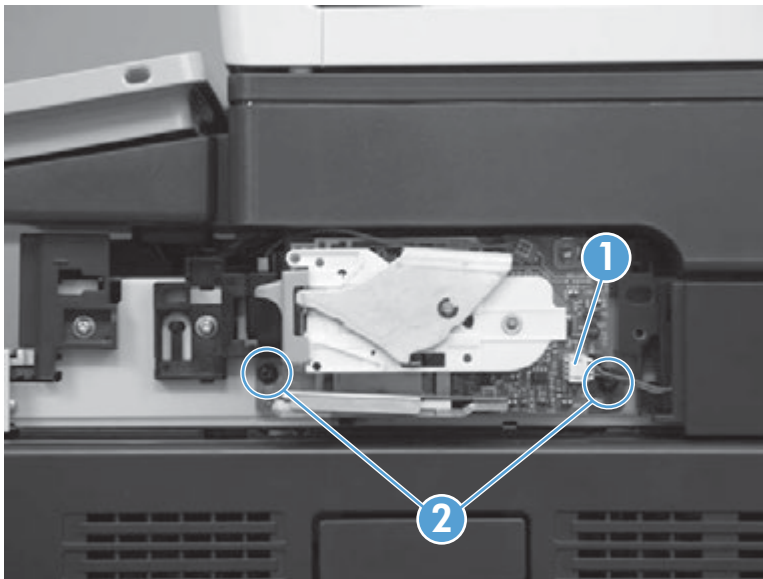
**Before proceeding, remove the following components:**

- Stapler cover. See [Stapler cover on page 54](#).

### Remove the stapler assembly

- ▲ Disconnect one connector (callout 1), remove two screws (callout 2), and then remove the stapler assembly.

**Figure 1-148** Remove the stapler assembly



## Interconnect board (ICB)

**WARNING!** Do not remove the ICB from a product and then install it into a **different** product. Failure to follow this warning will result in severe damage to that product and cause it to be unusable. HP recommends that if you remove and replace the ICB, you should destroy the discarded ICB so that it can not accidentally be installed in a different product.

### Before proceeding, remove the following components:

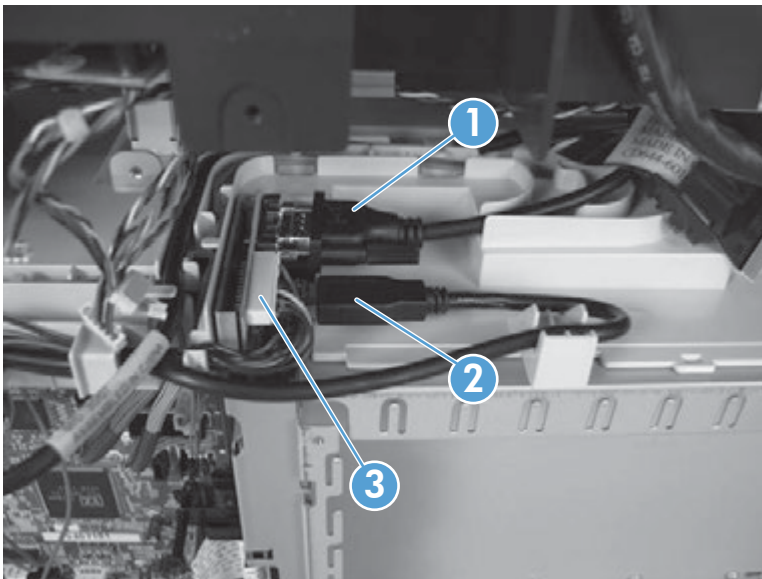
- Toner-collection unit. See [Toner-collection unit on page 15](#).
- Formatter PCA. See [Formatter PCA on page 17](#).
- Right-rear cover. See [Right-rear cover on page 59](#).
- Left cover. See [Left cover on page 61](#).
- Rear-upper cover. See [Rear-upper cover on page 64](#).
- Rear cover. See [Rear cover on page 67](#).

### Remove the ICB

**NOTE:** To locate DC controller connector locations, see [DC controller PCA on page 8](#).

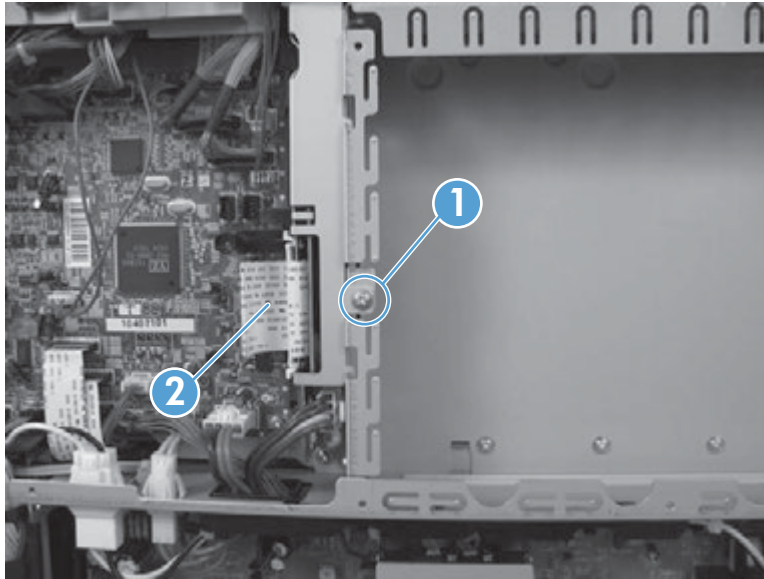
1. Disconnect the scanner cable (callout 1), the USB cable (callout 2), and the control panel connector (callout 3).

**Figure 1-149** Remove the ICB (1 of 3)



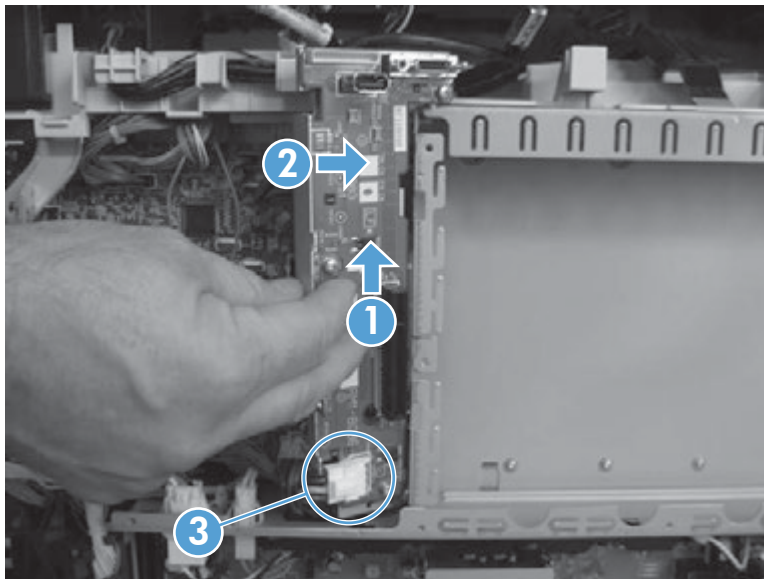
2. Remove one screw (callout 1) and disconnect one FFC (callout 2).

**Figure 1-150** Remove the ICB (2 of 3)



3. Slide the ICB up (callout 1), and then carefully rotate the ICB (callout 2). Disconnect one connector (callout 3) and remove the ICB.

**Figure 1-151** Remove the ICB (3 of 3)



## DC controller PCA and tray

### Before proceeding, remove the following components:

- Toner-collection unit. See [Toner-collection unit on page 15](#).
- Formatter PCA. See [Formatter PCA on page 17](#).
- Right-rear cover. See [Right-rear cover on page 59](#).
- Left cover. See [Left cover on page 61](#).
- Rear-upper cover. See [Rear-upper cover on page 64](#).
- Rear cover. See [Rear cover on page 67](#).
- Interconnect board (ICB). See [Interconnect board \(ICB\) on page 108](#).

### Remove the DC controller PCA and tray

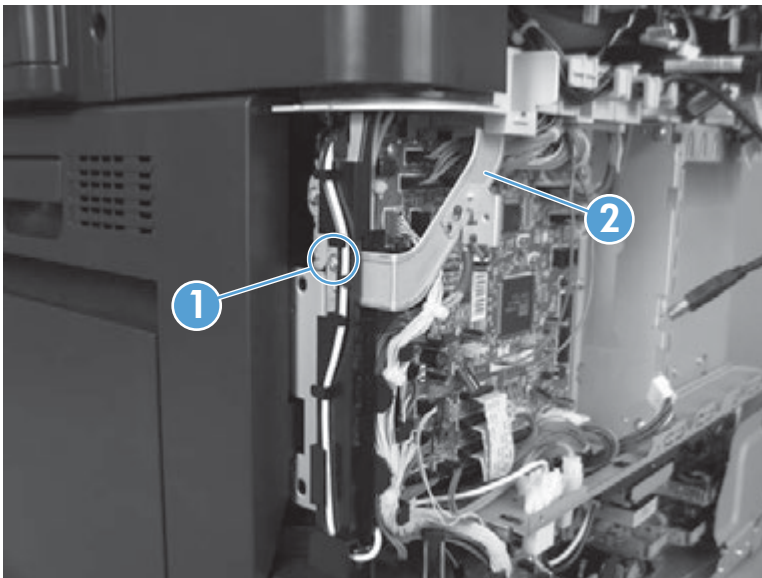
**CAUTION:**  ESD-sensitive part.

**TIP:** To access components behind the DC controller PCA, remove the PCA and the sheet-metal tray together. Disconnect all of the connectors on the PCA, and then remove five screws and the bracket, see [Figure 1-152 Remove the DC controller PCA and tray \(1 of 4\) on page 110](#) and [Figure 1-155 Remove the DC controller PCA and tray \(4 of 4\) on page 112](#).

**NOTE:** To locate DC controller connector locations, see [DC controller PCA on page 8](#).

1. Remove one screw (callout 1), and then remove the sheet-metal bracket (callout 2).

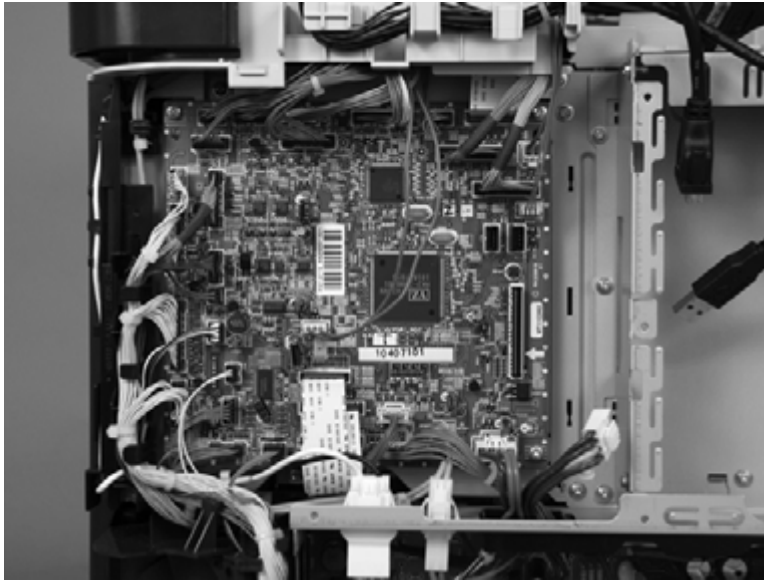
**Figure 1-152** Remove the DC controller PCA and tray (1 of 4)




2. Disconnect all the connectors.

 **Reinstallation tip** The connector locations J133 and J134 are not used.

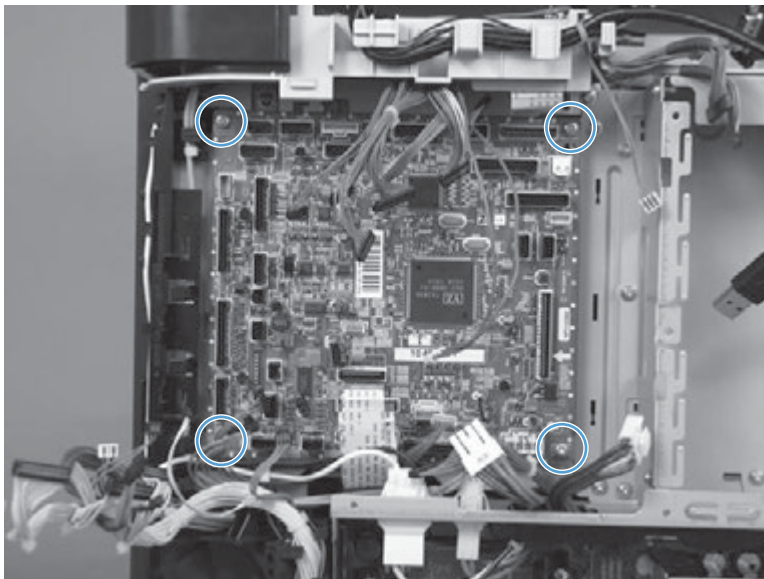
**Figure 1-153** Remove the DC controller PCA and tray (2 of 4)




3. Remove four screws, and then remove the DC controller PCA.

 **NOTE:** If removing the PCA with the sheet metal tray, skip this step and go to step 4.

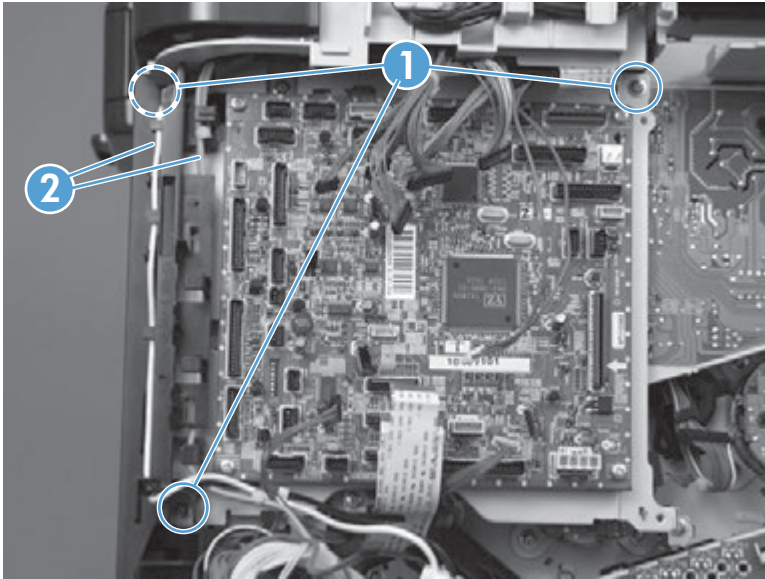
**Figure 1-154** Remove the DC controller PCA and tray (3 of 4)



4. If necessary, remove three screws (callout 1) and the sheet metal tray.

 **NOTE:** Correctly install the cables in the cable guide (callout 2).


**Figure 1-155** Remove the DC controller PCA and tray (4 of 4)



## Low-voltage power supply (LVPS)


### Before proceeding, remove the following components:

- Toner-collection unit. See [Toner-collection unit on page 15](#).
- Formatter PCA. See [Formatter PCA on page 17](#).
- Right-rear cover. See [Right-rear cover on page 59](#).
- Left cover. See [Left cover on page 61](#).
- Rear-upper cover. See [Rear-upper cover on page 64](#).
- Rear cover. See [Rear cover on page 67](#).
- Interconnect board (ICB). See [Interconnect board \(ICB\) on page 108](#).

 **NOTE:** If you are removing the power supply for internal product access, it is recommended that you leave the ICB installed on the power supply assembly.

### Remove the LVPS

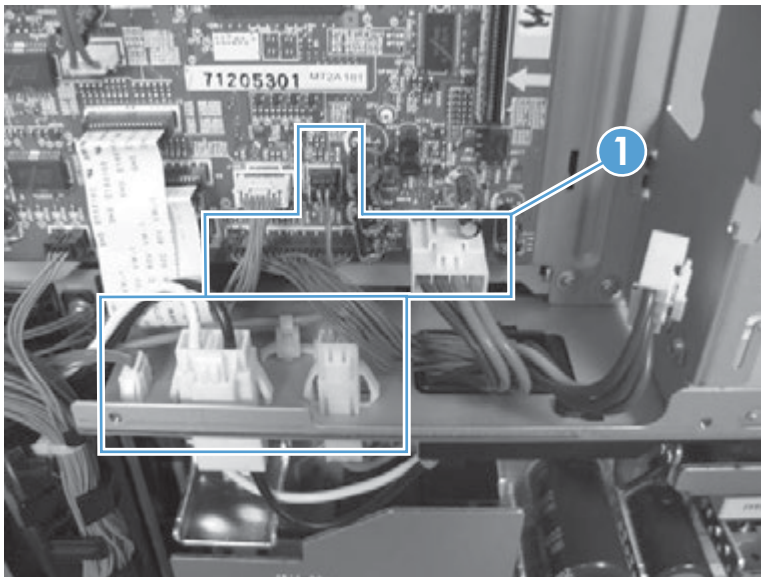
 **CAUTION:**  ESD-sensitive part.

 **NOTE:** The formatter cage is attached to the LVPS. Both components are removed as an assembly, and then the formatter cage is removed from the LVPS.


1. Disconnect six connectors (callout 1; J100, J101, J143 on the DC controller PCA).

 **NOTE:** To locate DC controller connector locations, see [DC controller PCA on page 8](#).

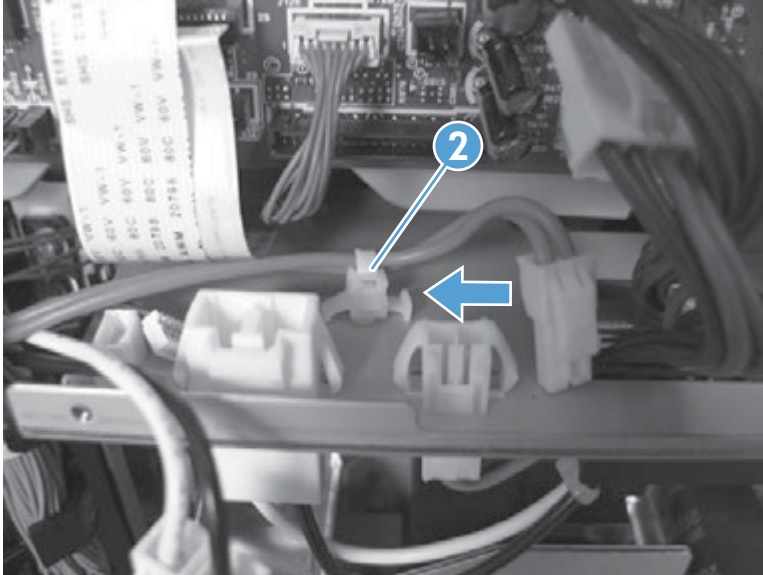
**Figure 1-156** Remove the LVPS (1 of 8)



2. Push in on the locking tab to release the retainer (callout 2), and then separate the retainer from the assembly.

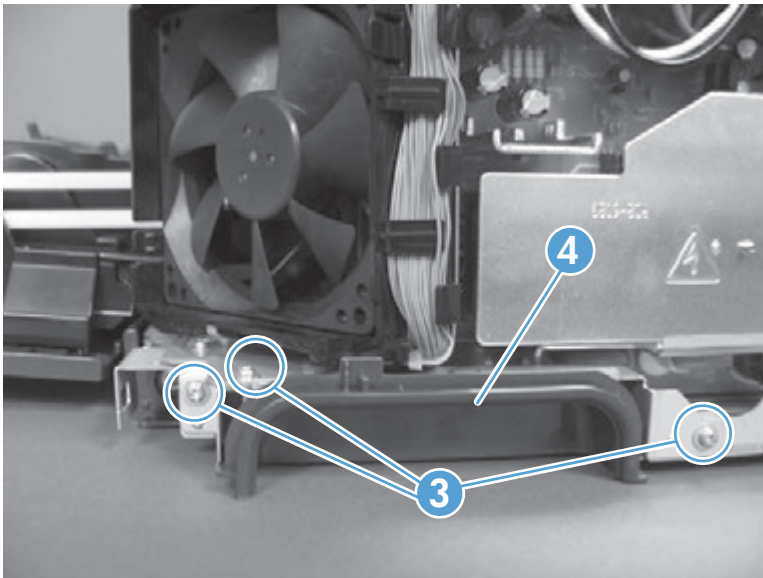
 **NOTE:** The retainer remains attached to the wire harness, and is disengaged from the assembly.

**Figure 1-157** Remove the LVPS (2 of 8)




3. Remove three screws (callout 3), and then remove the handle (callout 4).

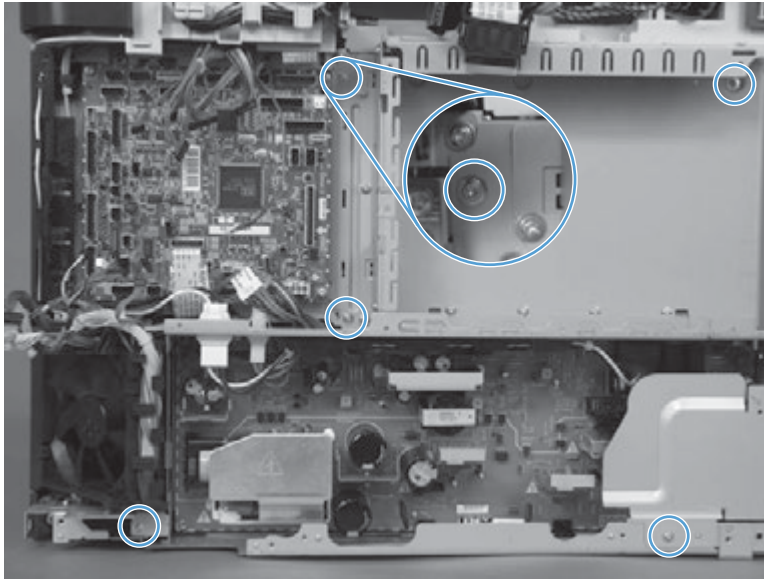
**Figure 1-158** Remove the LVPS (3 of 8)



4. Remove five screws.

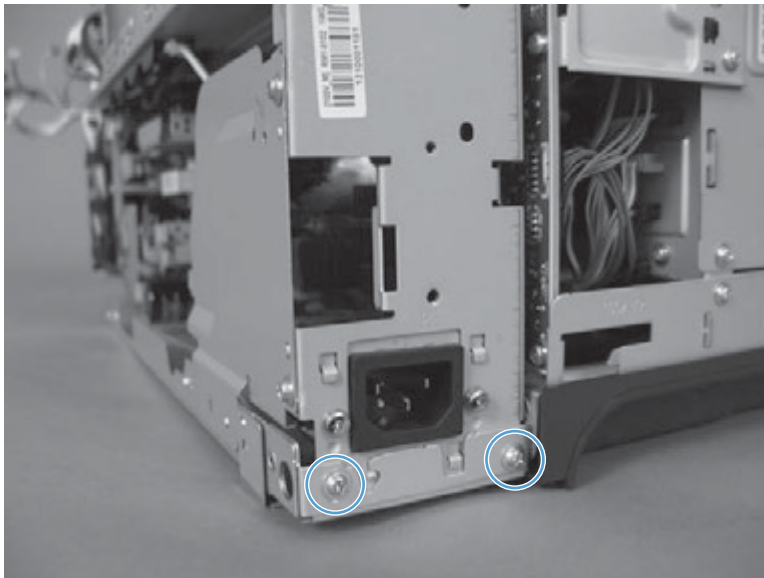
 **NOTE:** The illustration below shows the ICB removed.

**Figure 1-159** Remove the LVPS (4 of 8)



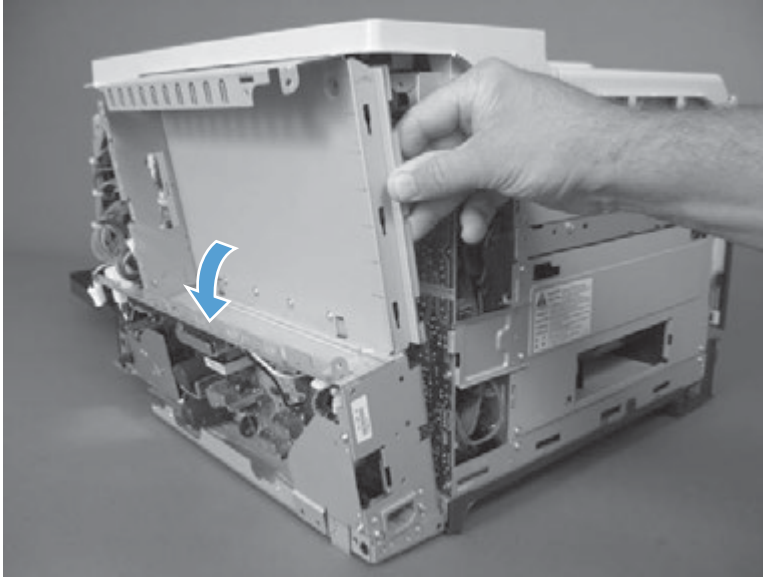
5. Remove two screws.

**Figure 1-160** Remove the LVPS (5 of 8)



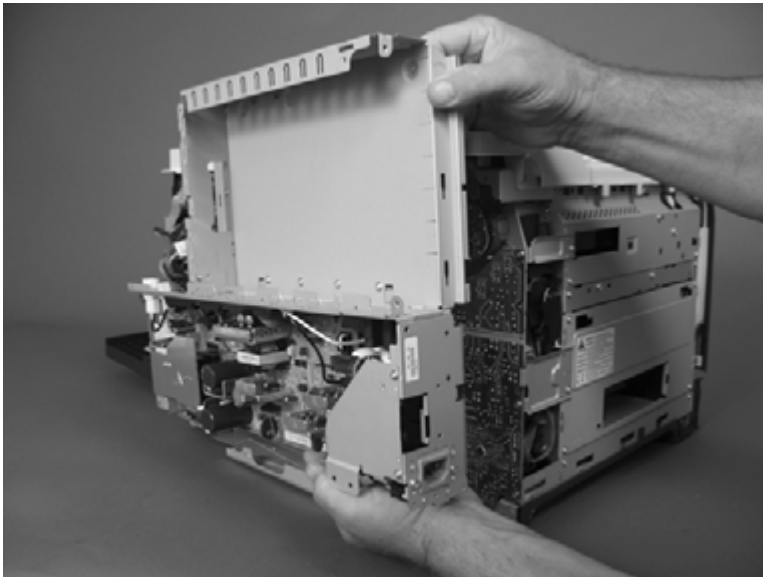
6. Rotate the formatter cage away from the top of the product.

**Figure 1-161** Remove the LVPS (6 of 8)



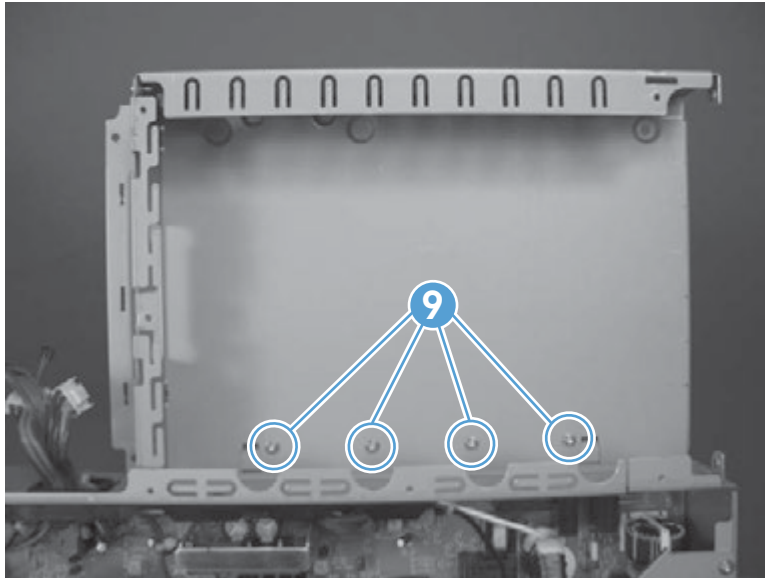
7. Remove the assembly.

**Figure 1-162** Remove the LVPS (7 of 8)



8. Remove four screws (callout 9), and then separate the formatter cage from the low-voltage power supply.

**Figure 1-163** Remove the LVPS (8 of 8)




## Delivery fan, cartridge fan, and environmental sensor

### Before proceeding, remove the following components:

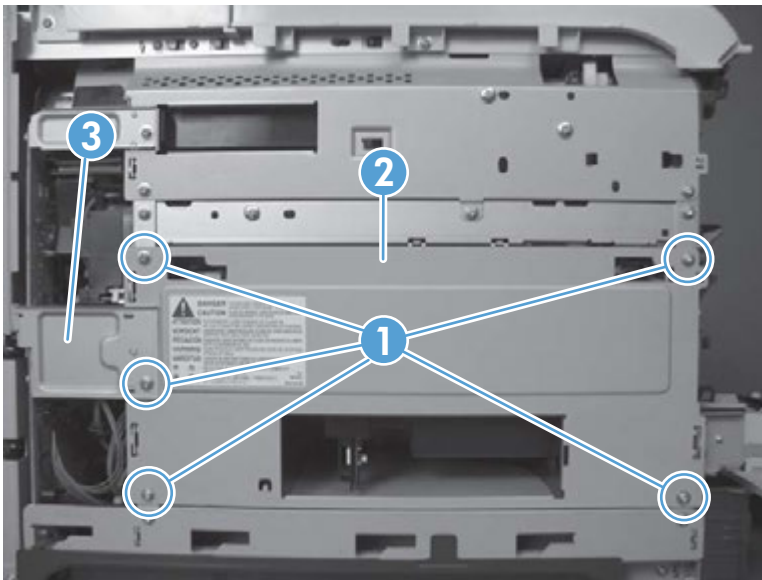
- Toner-collection unit. See [Toner-collection unit on page 15](#).
- Left cover. See [Left cover on page 61](#).

### Remove the delivery fan, cartridge fan, and environmental sensor


1. Remove five screws (callout 1), and then remove the sheet-metal plate (callout 2).

 **NOTE:** Release the small sheet-metal plate (callout 3) to allow access to the larger sheet-metal plate behind it. Leave the smaller plate attached to the chassis.

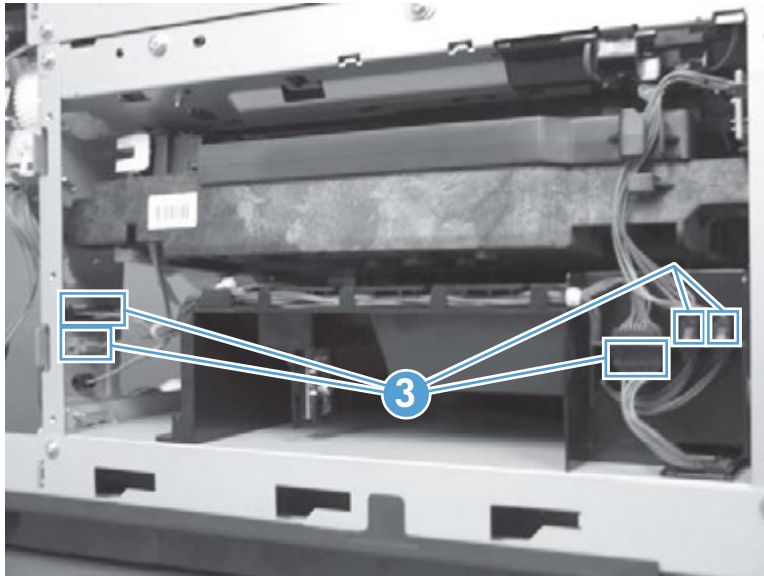
**Figure 1-164** Remove the delivery fan, cartridge fan, and environmental sensor (1 of 9)



2. Disconnect five connectors (callout 3).

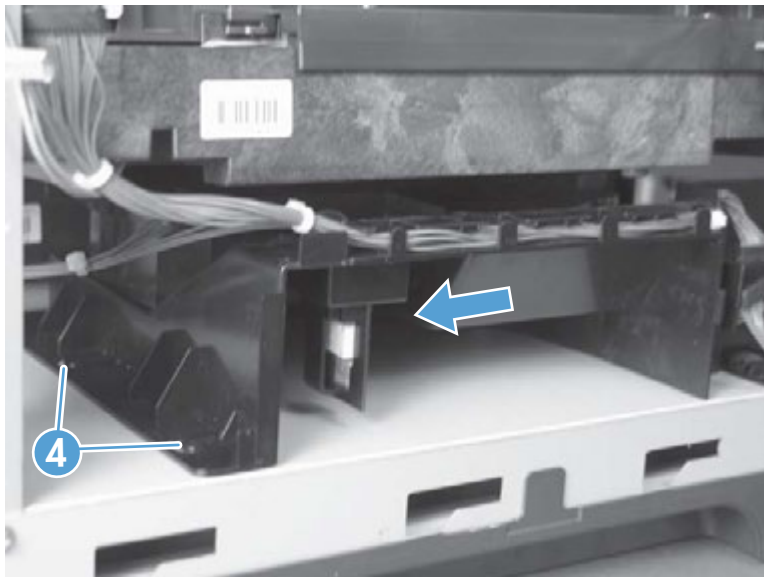
 **NOTE:** Disconnect the larger connector on the right side from the bottom. Disconnect the two smaller connectors on the right side from the top.

**Figure 1-165** Remove the delivery fan, cartridge fan, and environmental sensor (2 of 9)



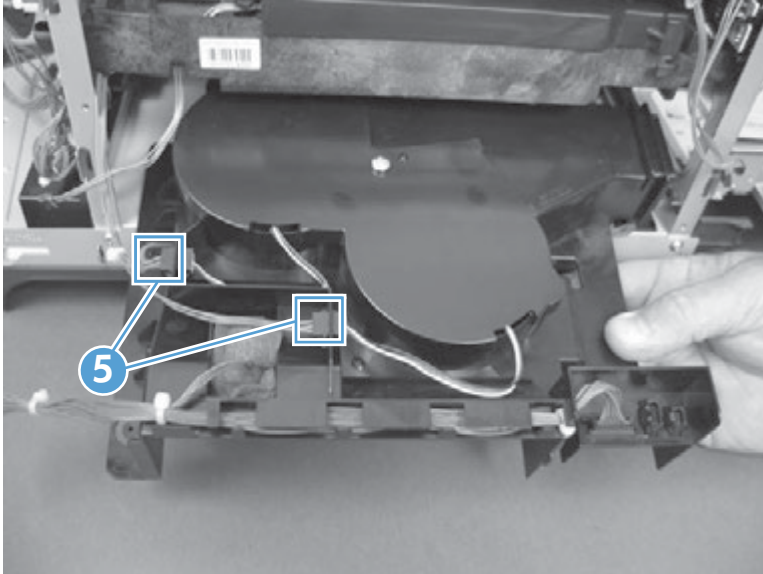
3. Release two tabs (callout 4), and then slide the delivery-fan and cartridge-fan assembly toward the power-supply side of the product to release it.

**Figure 1-166** Remove the delivery fan, cartridge fan, and environmental sensor (3 of 9)



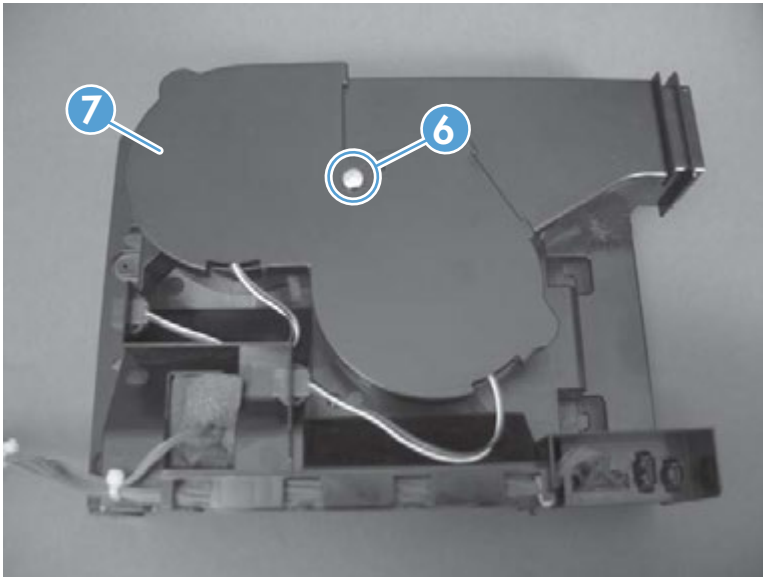
4. Pull the assembly slightly out of the product, disconnect two connectors (callout 5), and then remove the assembly.

**Figure 1-167** Remove the delivery fan, cartridge fan, and environmental sensor (4 of 9)



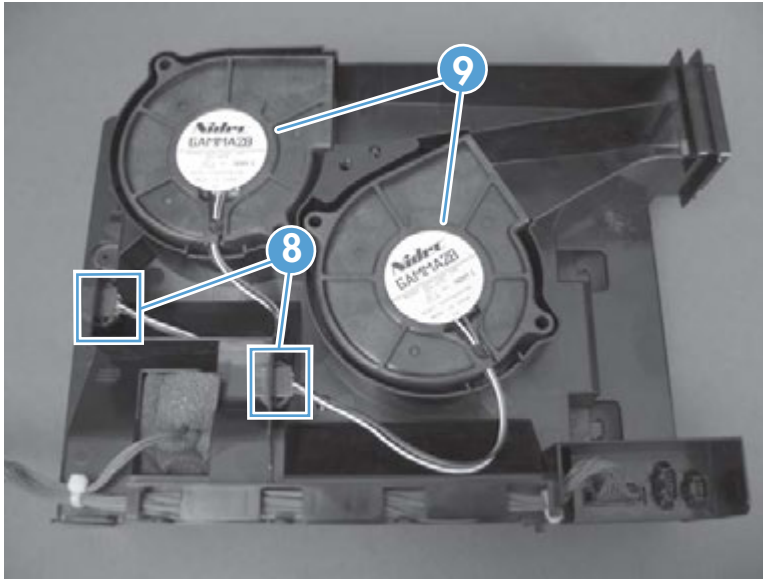
5. Remove one screw (callout 6), and then remove the cover (callout 7).

**Figure 1-168** Remove the delivery fan, cartridge fan, and environmental sensor (5 of 9)



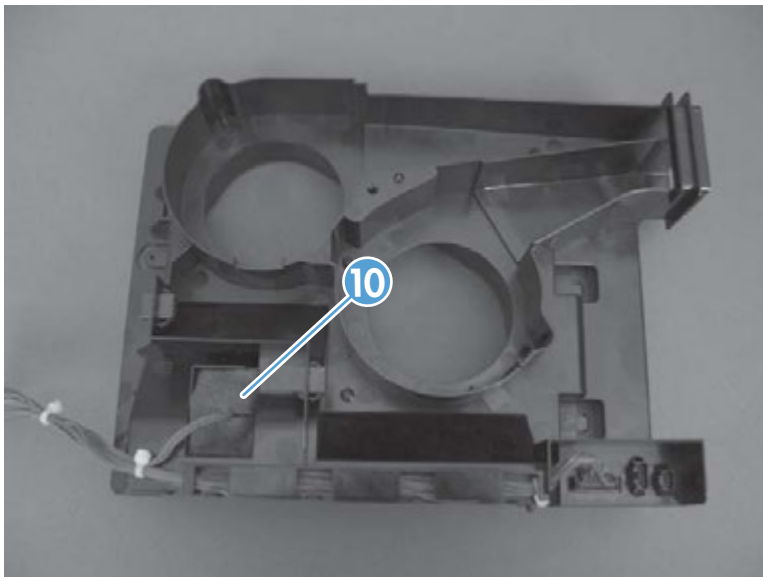
6. Disconnect two connectors (callout 8), and then remove the fans (callout 9).

**Figure 1-169** Remove the delivery fan, cartridge fan, and environmental sensor (6 of 9)



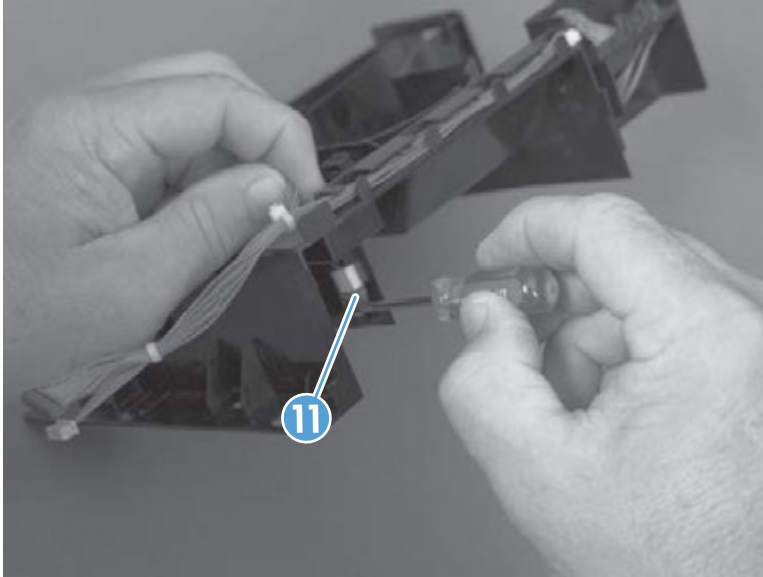
7. Remove the antistatic foam (callout 10).

**Figure 1-170** Remove the delivery fan, cartridge fan, and environmental sensor (7 of 9)



8. Release one tab (callout 11).

**Figure 1-171** Remove the delivery fan, cartridge fan, and environmental sensor (8 of 9)



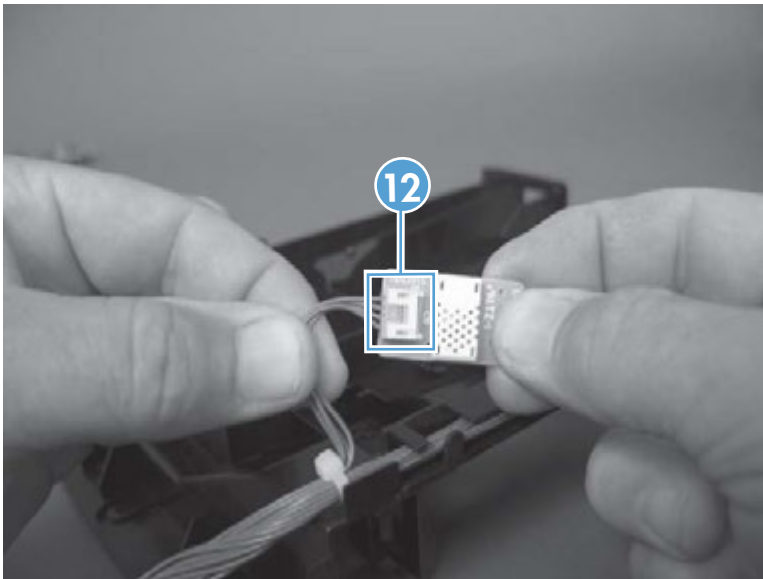
9. Disconnect one connector (callout 12), and then remove the environmental sensor.

---

**CAUTION:**  ESD-sensitive part.

---

**Figure 1-172** Remove the delivery fan, cartridge fan, and environmental sensor (9 of 9)




## Toner-collection sensor

### Before proceeding, remove the following components:

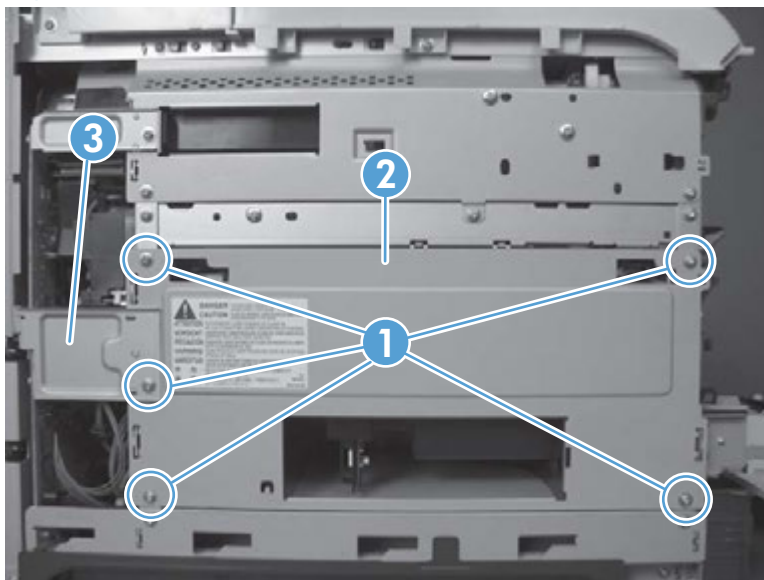
- Toner-collection unit. See [Toner-collection unit on page 15](#).
- Left cover. See [Left cover on page 61](#).

### Remove the toner-collection sensor

1. Remove five screws (callout 1), and then remove the sheet-metal plate (callout 2).

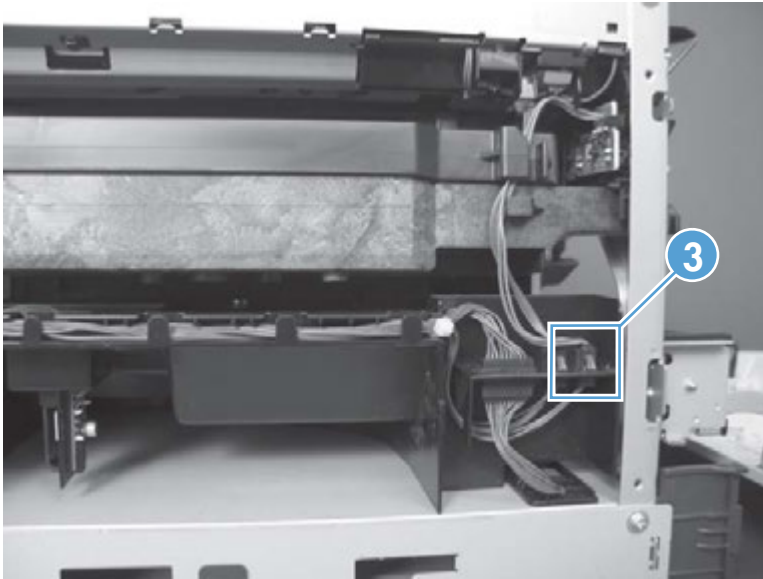
 **NOTE:** Release the small sheet-metal plate (callout 3) to allow access to the larger sheet-metal plate behind it. Leave the smaller plate attached to the chassis.

**Figure 1-173** Remove the toner-collection sensor (1 of 4)




2. Disconnect one connector (callout 3).

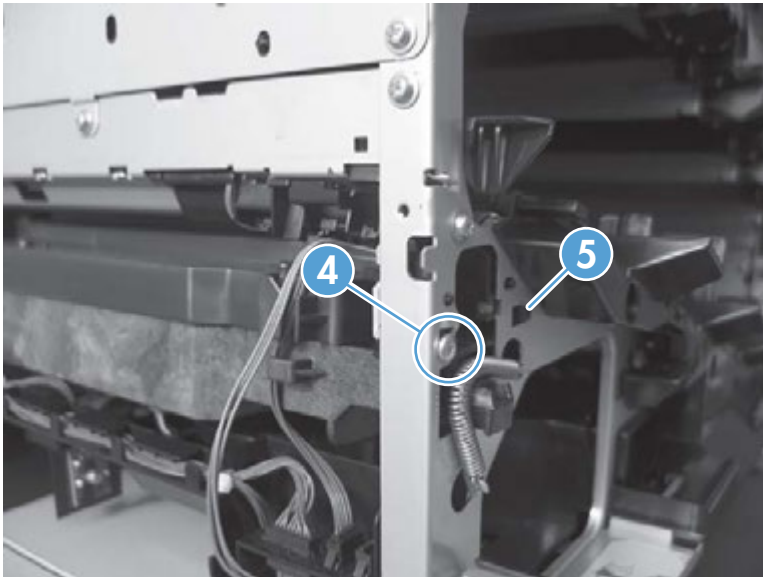
**Figure 1-174** Remove the toner-collection sensor (2 of 4)



3. Remove one screw (callout 4).

 **Reinstallation tip** When you reinstall the sensor, make sure that the tab (callout 5) on the sensor body completely engages the slot in the product chassis.

**Figure 1-175** Remove the toner-collection sensor (3 of 4)



4. Remove the toner-collection sensor.

**Figure 1-176** Remove the toner-collection sensor (4 of 4)




## Residual-toner-feed motor

### Before proceeding, remove the following components:

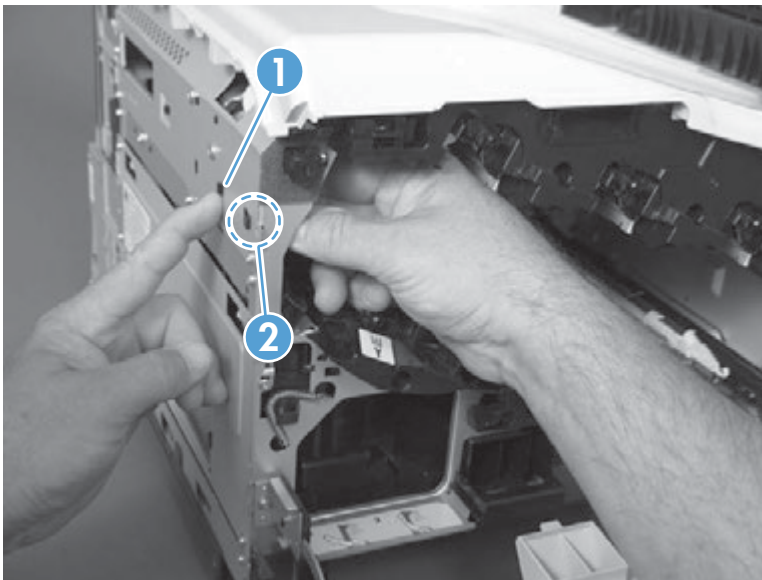
- Toner-collection unit. See [Toner-collection unit on page 15](#).
- Intermediate transfer belt (ITB). See [Intermediate transfer belt \(ITB\) on page 34](#).
- Left cover. See [Left cover on page 61](#).

### Remove the residual-toner-feed motor

 **NOTE:** Be careful. Do not dislodge the residual-toner collection door when you remove the assembly. If the door becomes dislodged, see [Reinstall the residual-toner collection door on page 130](#) to reinstall it.

1. Release one tab (callout 1) while you support the cover (callout 2).

**Figure 1-177** Remove the residual-toner-feed motor (1 of 7)



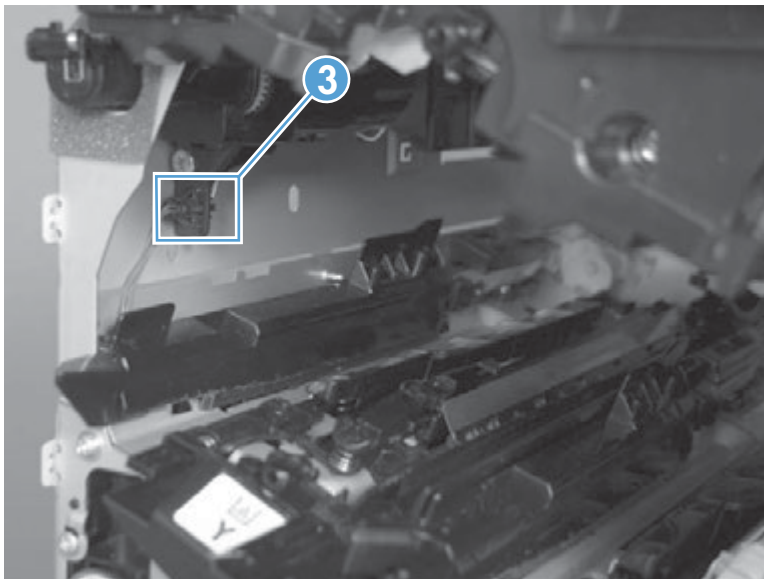
2. Remove the cover.

**Figure 1-178** Remove the residual-toner-feed motor (2 of 7)



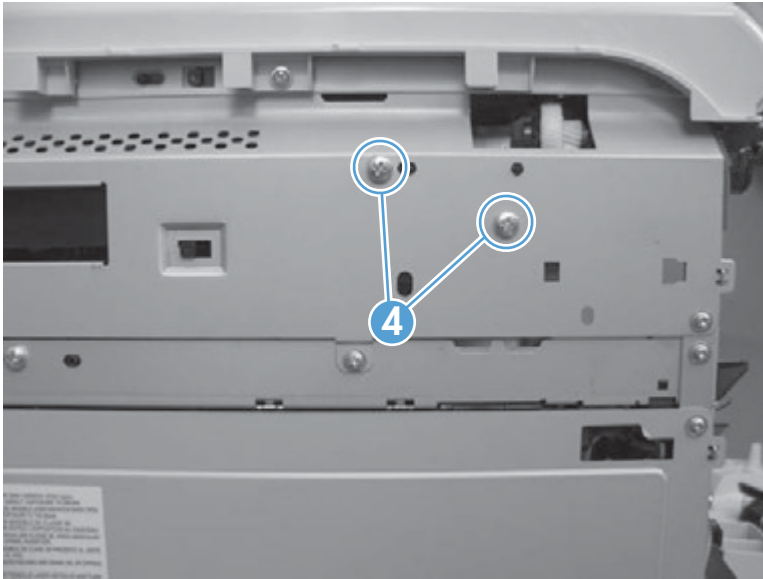
3. Disconnect one connector (callout 3).

**Figure 1-179** Remove the residual-toner-feed motor (3 of 7)



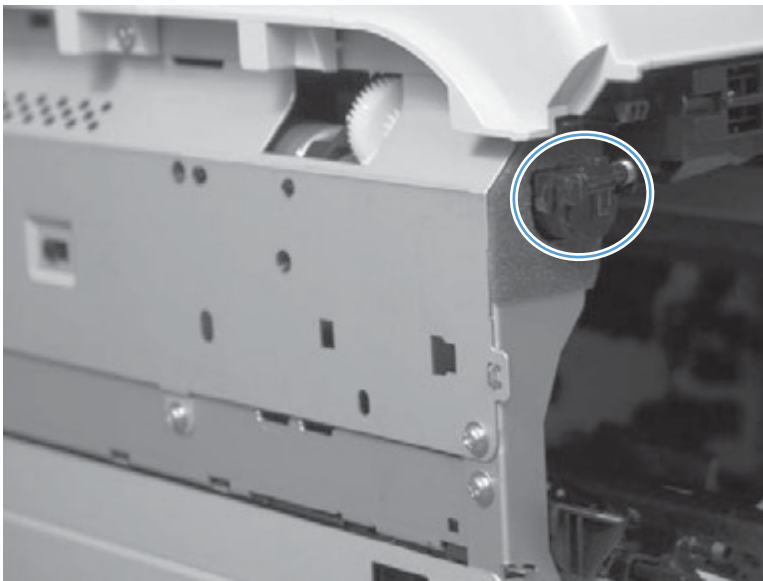
4. Support the assembly, and then remove two screws (callout 4).

**Figure 1-180** Remove the residual-toner-feed motor (4 of 7)



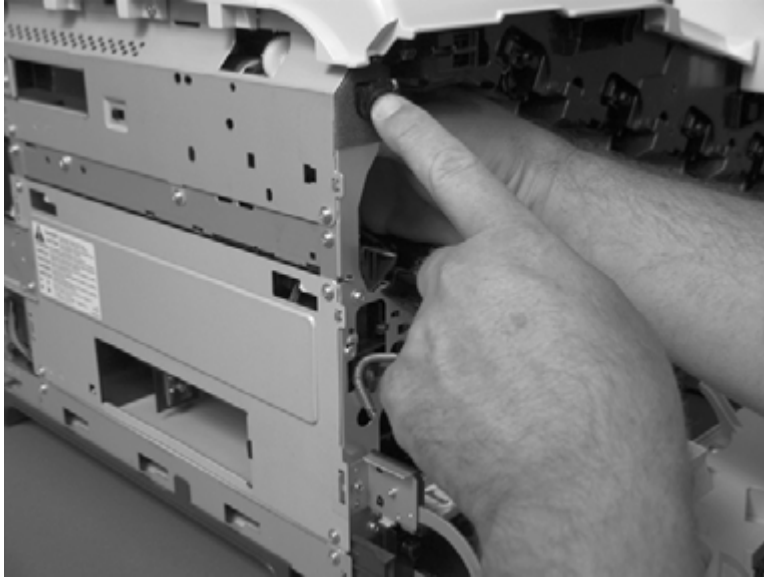
5. Be careful. Do not dislodge the residual-toner collection door when you remove the assembly. If the door becomes dislodged, see [Reinstall the residual-toner collection door on page 130](#) to reinstall it.

**Figure 1-181** Remove the residual-toner-feed motor (5 of 7)



6. Push the assembly into the product to release it.

**Figure 1-182** Remove the residual-toner-feed motor (6 of 7)



7. Remove the motor.

**Figure 1-183** Remove the residual-toner-feed motor (7 of 7)



## Reinstall the residual-toner collection door

Snap the residual-toner collection door into the holders on the assembly. Make sure that the spring is correctly installed.

**Figure 1-184** Reinstall the residual-toner collection door

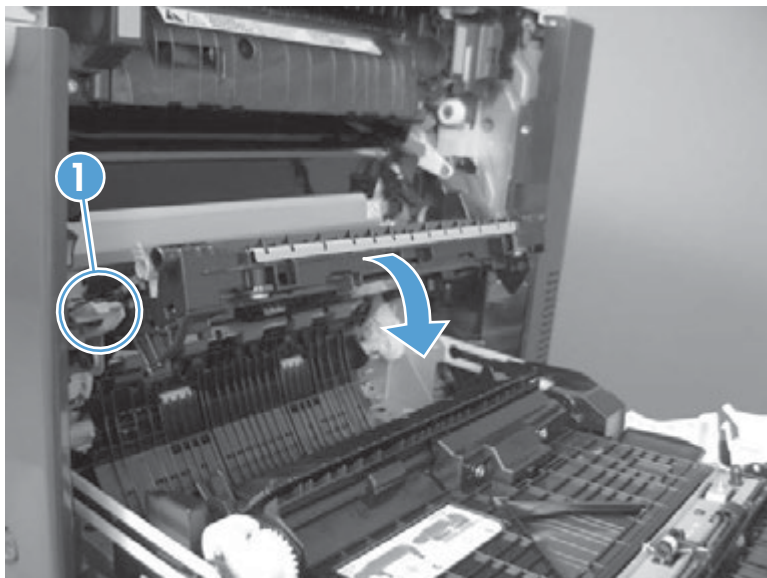


## Secondary transfer assembly


The secondary transfer assembly includes the transfer roller.

1. Open the right-door assembly.
2. Use the blue lever (callout 1) to lower the secondary transfer assembly.

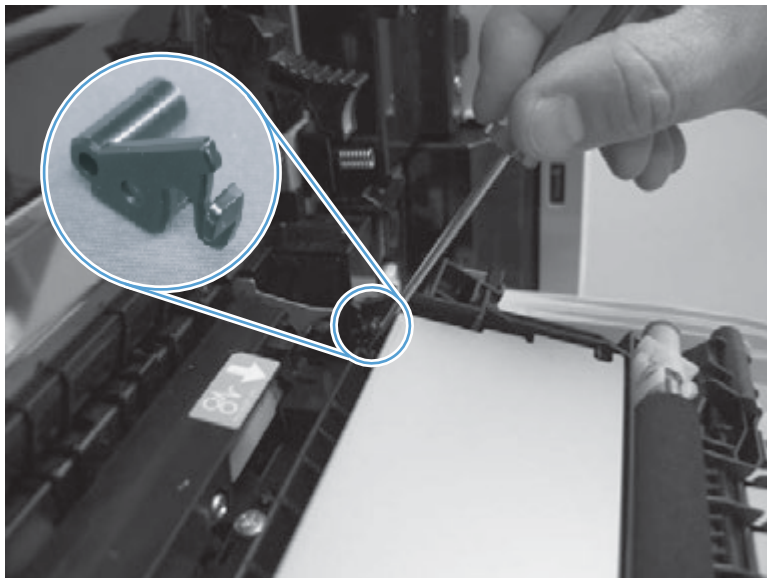
**Figure 1-185** Remove the transfer roller (1 of 3)



3. Release one tab and carefully remove the stopper.

 **NOTE:** You might have to slightly lift up on the corner of the assembly to release the stopper pin from the hole in the chassis.

**Figure 1-186** Remove the secondary transfer assembly (2 of 3)



4. Remove the secondary transfer assembly.

**Figure 1-187** Remove the secondary transfer assembly (3 of 3)



### Reinstall the secondary transfer assembly

Press and hold down the blue release lever when you reinstall the assembly.

**Figure 1-188** Reinstall the secondary transfer assembly

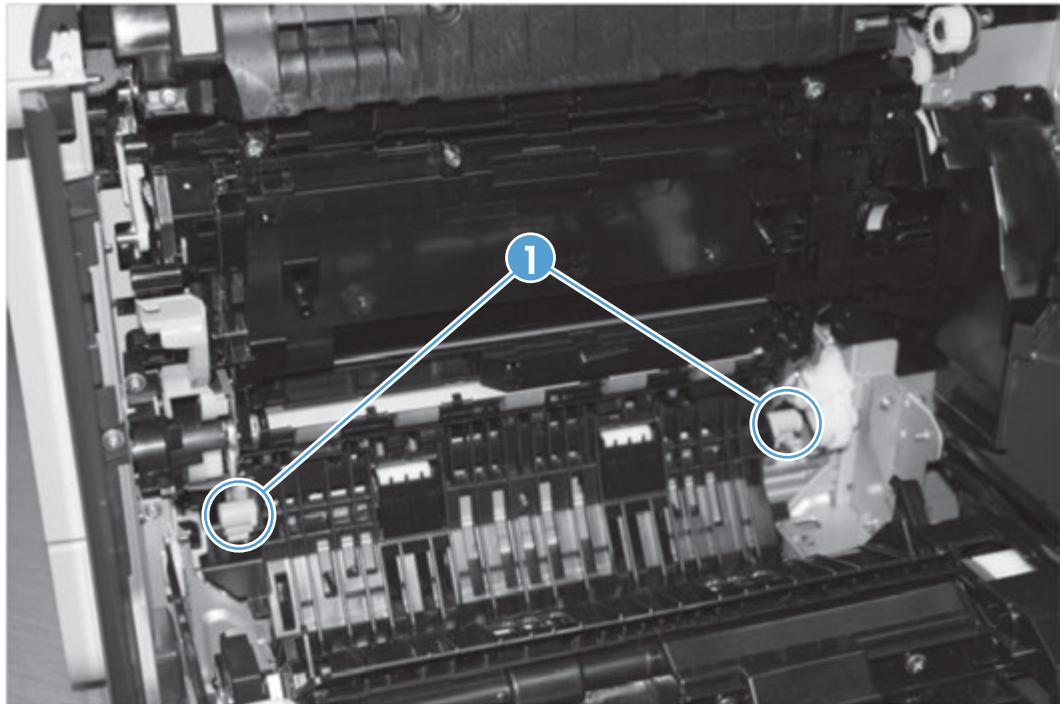


## Lower pickup guide

### Remove the lower pickup guide

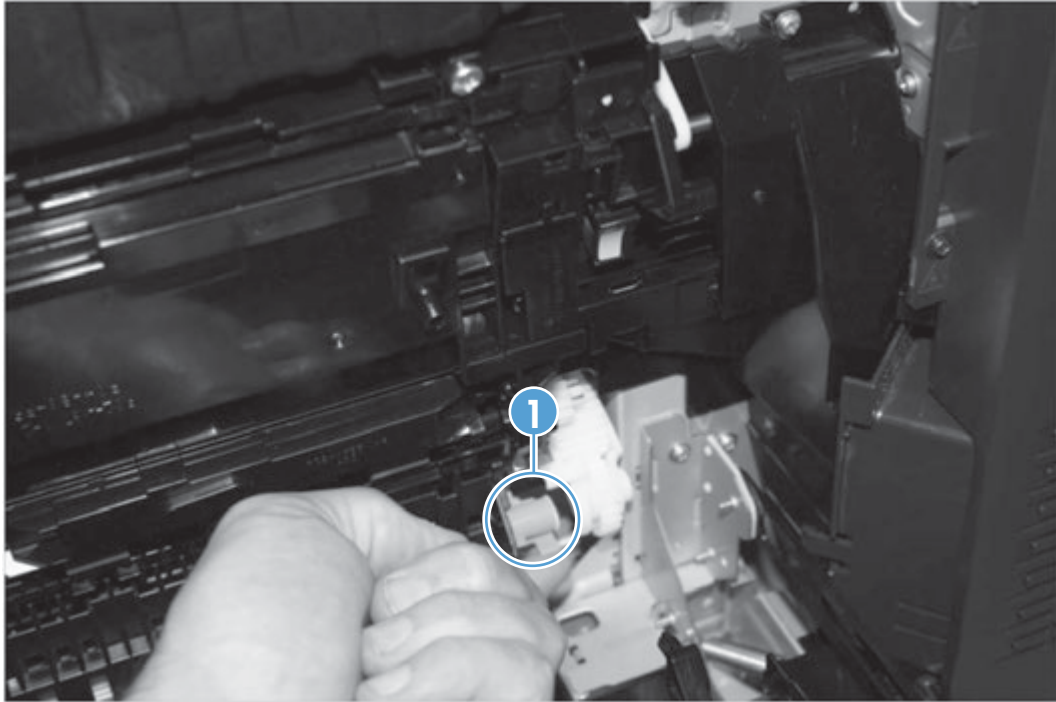
1. Open the right-door assembly.
2. Locate the lower pickup guide directly below the registration assembly. The guide is locked into place by two green circular knobs (callout 1).

**Figure 1-189** Remove the lower pickup guide (1 of 4)



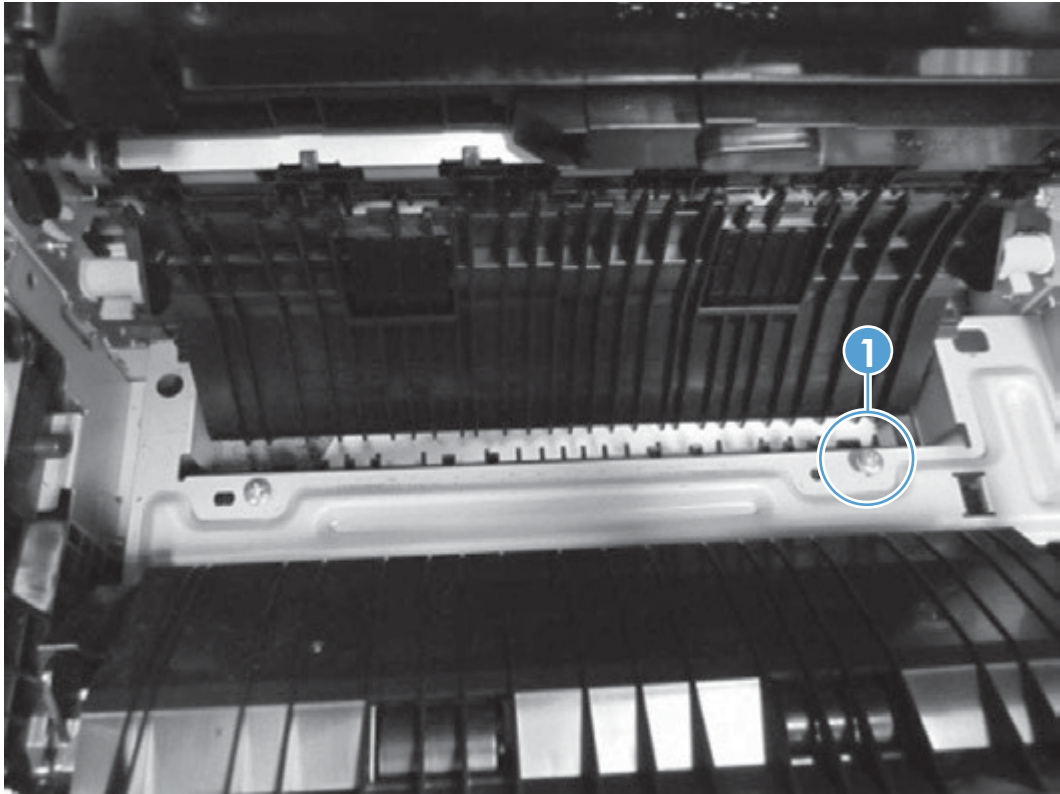
3. Lift the green circular knobs simultaneously to release the assembly.

**Figure 1-190** Remove the lower pickup guide (2 of 4)



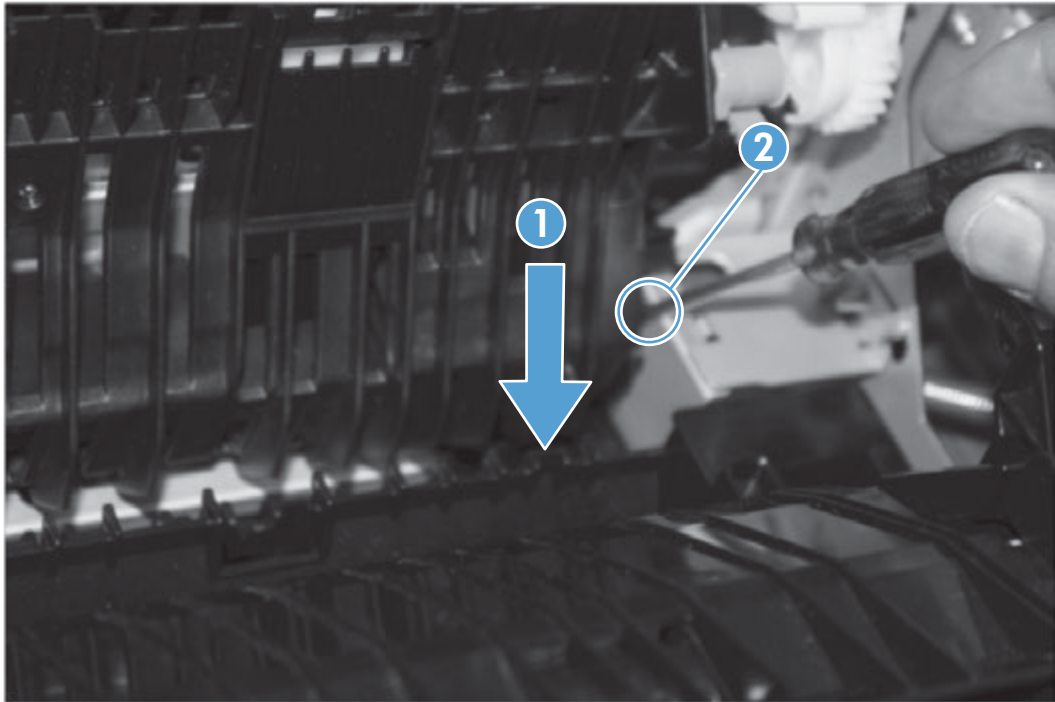
4. Raise the guide, and then loosen, but do not remove, one screw (callout 1) on the paper entrance guide.

**Figure 1-191** Remove the lower pickup guide (3 of 4)



5. While pushing down on the paper entrance guide (callout 1), use a flat blade screwdriver to press in on the hinge pin (callout 2) and release it from the product. Rotate the assembly counterclockwise away from the product to remove it.

**Figure 1-192** Remove the lower pickup guide (4 of 4)



### Reinstall the lower pickup guide

- ▲ Insert the front pin of the assembly into the hole at the front of the chassis. Slightly press down on the rear hinge pin and insert it into the hole at the rear of the chassis. Rotate the guide toward the product until the green knobs snap back into place. Tighten the screw on the paper entrance guide.

## Registration density (RD) sensor assembly

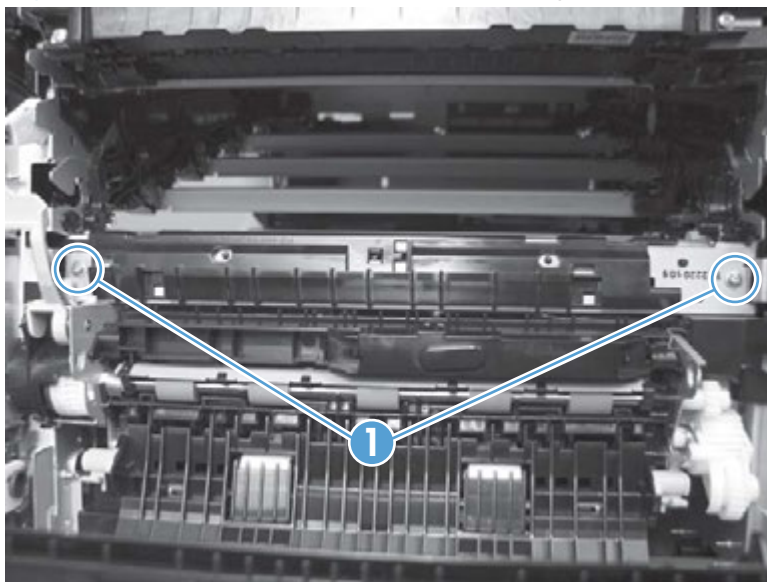
### Before proceeding, remove the following components:

- Intermediate transfer belt (ITB). See [Intermediate transfer belt \(ITB\) on page 34](#).
- Secondary transfer assembly. See [Secondary transfer assembly on page 131](#).

### Remove the RD sensor assembly

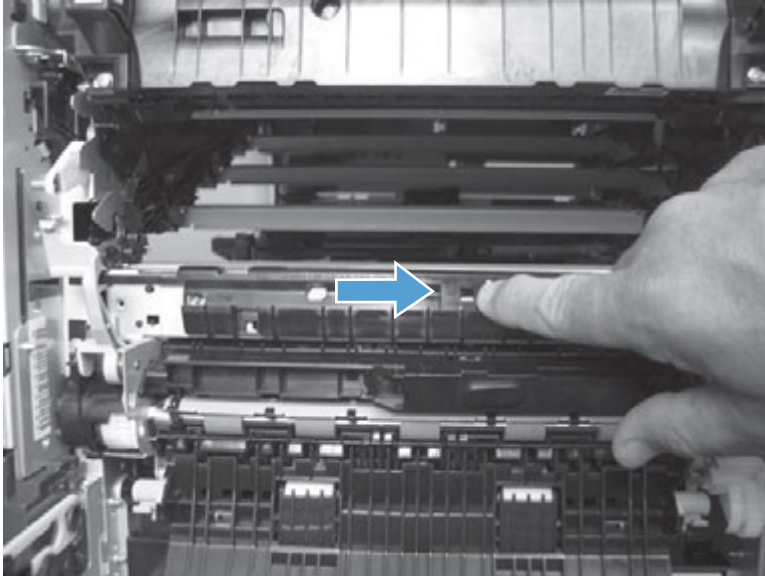
1. Remove two screws (callout 1).

**Figure 1-193** Remove the RD sensor assembly (1 of 6)



2. Slide the shutter toward the right side of the product. Keep the shutter in this position for the following step.

**Figure 1-194** Remove the RD sensor assembly (2 of 6)



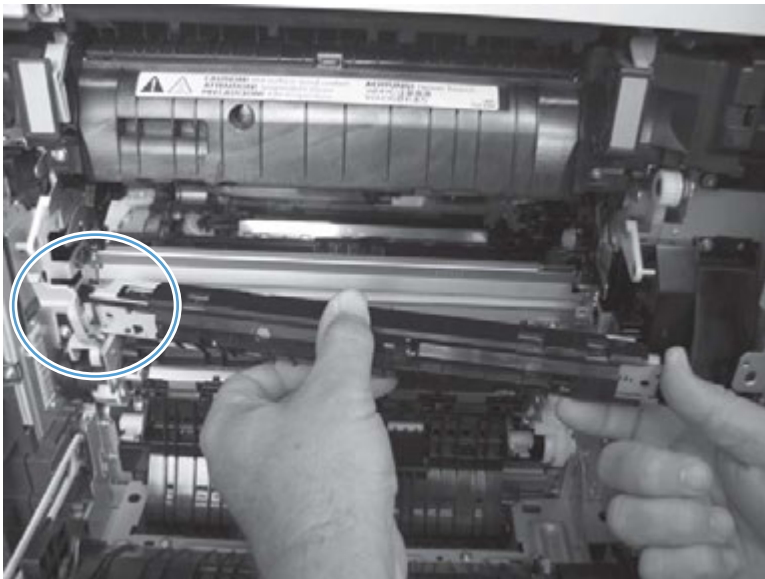
3. Carefully separate the assembly from the product. The assembly wire harnesses are still attached to the product.

---

**CAUTION:** Do not damage the shutter as it passes through the chassis.

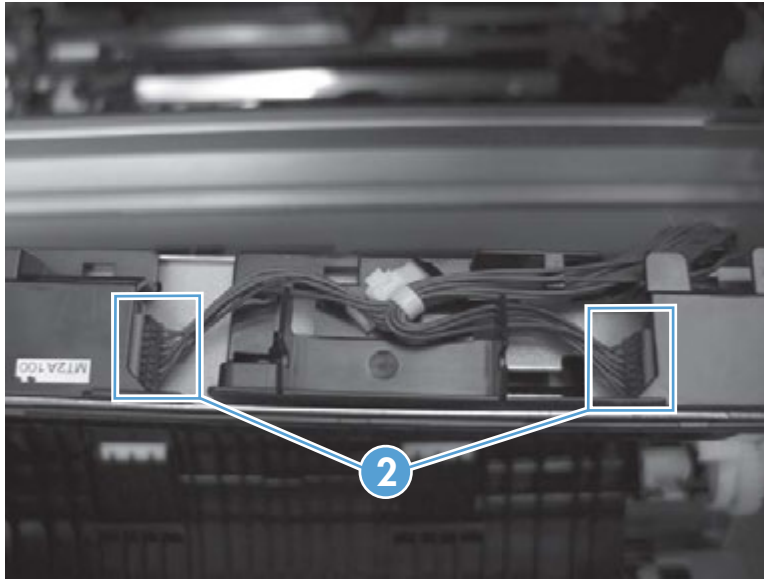
---

**Figure 1-195** Remove the RD sensor assembly (3 of 6)




4. Disconnect two connectors (callout 2) on the back side of the assembly.

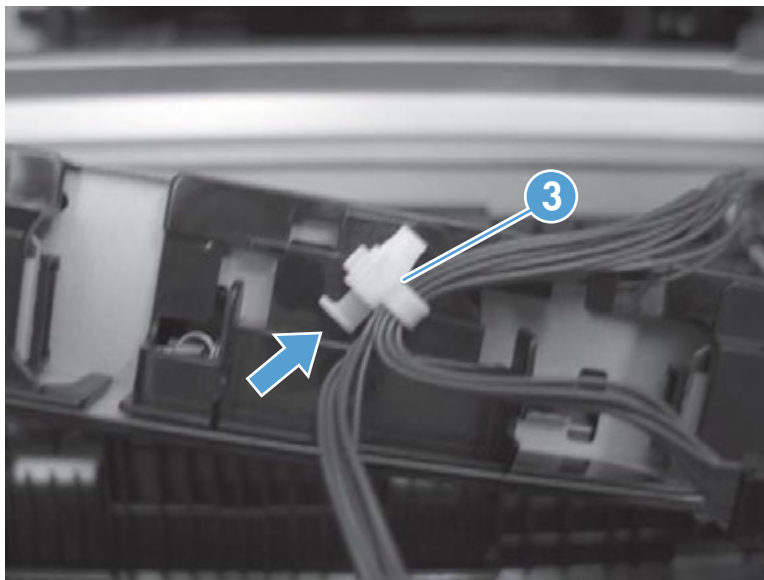
**Figure 1-196** Remove the RD sensor assembly (4 of 6)



5. Push in on the locking tab to release the retainer (callout 3), and then separate the retainer from the assembly.

 **NOTE:** The retainer remains attached to the wire harness, and disengages from the assembly.

**Figure 1-197** Remove the RD sensor assembly (5 of 6)



6. Remove the assembly.

**Figure 1-198** Remove the RD sensor assembly (6 of 6)



## Power-supply fan and fan duct

### Before proceeding, remove the following components:

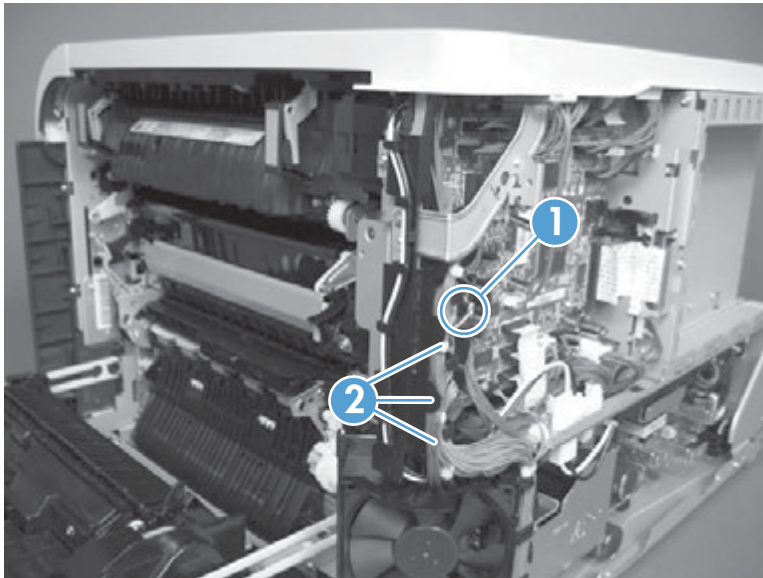
- Toner-collection unit. See [Toner-collection unit on page 15](#).
- Right-rear cover. See [Right-rear cover on page 59](#).
- Left cover. See [Left cover on page 61](#).
- Rear-upper cover. See [Rear-upper cover on page 64](#).
- Rear cover. See [Rear cover on page 67](#).

### Remove the power-supply fan and fan duct


1. Disconnect one connector (callout 1; J119) and release the wire harnesses from the guide (callout 2).

 **NOTE:** To locate DC controller connector locations, see [DC controller PCA on page 8](#).

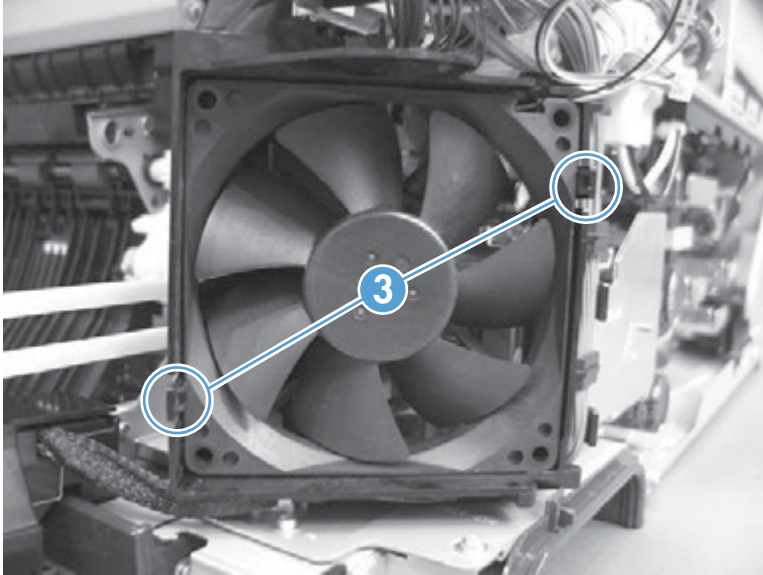
**Figure 1-199** Remove the power-supply fan (1 of 4)



- 2. To remove the fan only:** Release two tabs (callout 3), and then remove the fan from the fan duct.

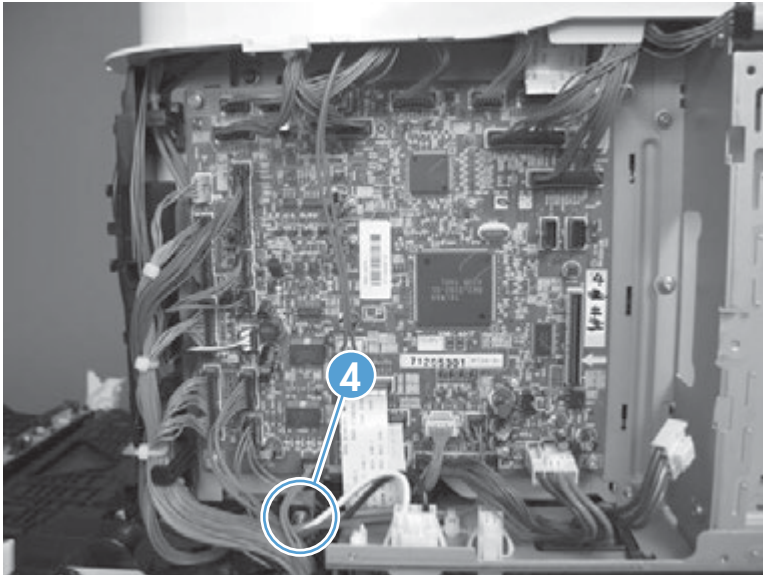
 **Reinstallation tip** When the fan is reinstalled, the air must flow into the product. Look at the arrows embossed on the fan frame that indicate air flow direction.

**Figure 1-200** Remove the power-supply fan (2 of 4)



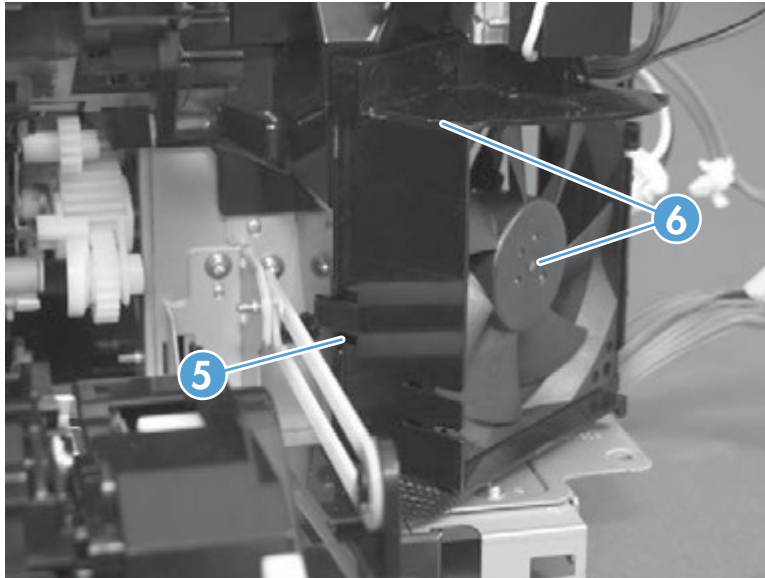
- 3. To remove the fan and fan duct:** Remove one screw (callout 4), and then release the wire harnesses from the guides on the fan duct.

**Figure 1-201** Remove the power-supply fan (3 of 4)



- 4. To remove the fan and fan duct:** Release one tab (callout 5), and then remove the fan and fan duct (callout 6).

**Figure 1-202** Remove the power-supply fan (4 of 4)




## Registration assembly

### Before proceeding, remove the following components:

- Toner-collection unit. See [Toner-collection unit on page 15](#).
- Intermediate transfer belt (ITB). See [Intermediate transfer belt \(ITB\) on page 34](#).
- Right-rear cover. See [Right-rear cover on page 59](#).
- Left cover. See [Left cover on page 61](#).
- Rear-upper cover. See [Rear-upper cover on page 64](#).
- Rear cover. See [Rear cover on page 67](#).
- Registration density (RD) sensor assembly. See [Registration density \(RD\) sensor assembly on page 137](#).

---


 **TIP:** Removing the RD sensor assembly makes it much easier to reinstall the registration assembly.

---

- Power-supply fan and fan duct. See [Power-supply fan and fan duct on page 141](#).
- Secondary transfer assembly. See [Secondary transfer assembly on page 131](#).

### Remove the registration assembly

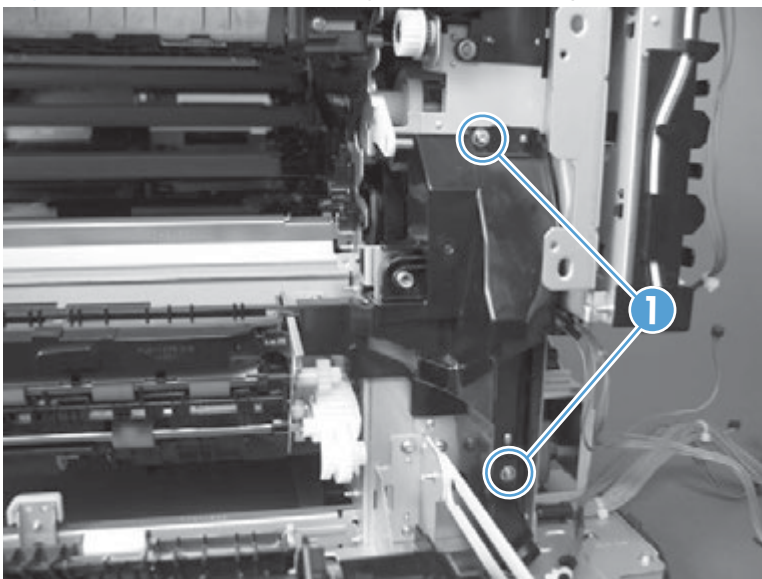
---

 **NOTE:** If a replacement registration assembly is installed, you must use the control-panel menus to reset the registration-roller count.

---

1. Remove two screws (callout 1).

**Figure 1-203** Remove the registration assembly (1 of 8)




2. Pull down on the cover to release one tab, and then rotate the cover away from the product to remove it.

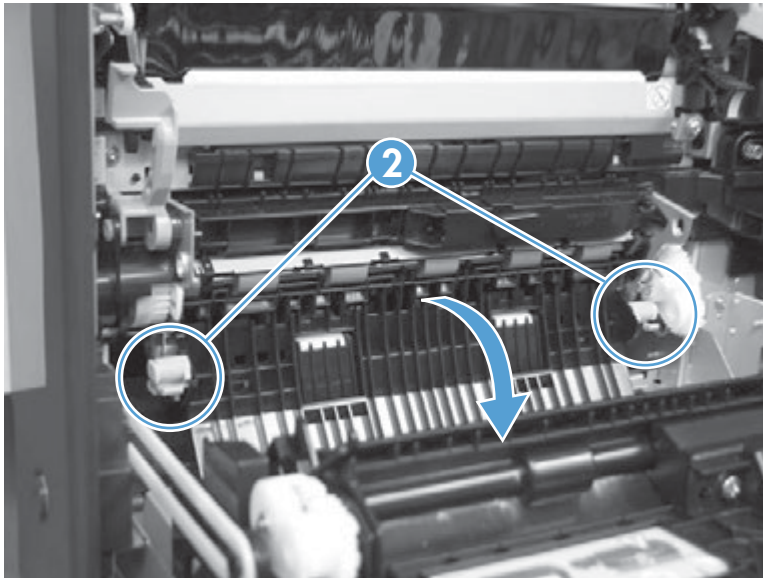
**Figure 1-204** Remove the registration assembly (2 of 8)



3. Release two green latches (callout 2), and then lower the feed guide.

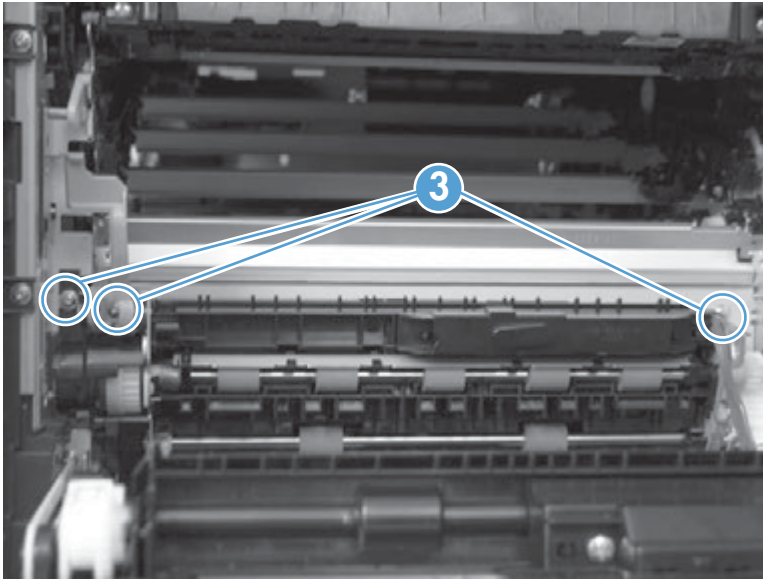
 **Reinstallation tip** Make sure that the feed guide snaps into the closed position when you reinstall the registration assembly.

**Figure 1-205** Remove the registration assembly (3 of 8)



4. Remove three screws (callout 3).

**Figure 1-206** Remove the registration assembly (4 of 8)



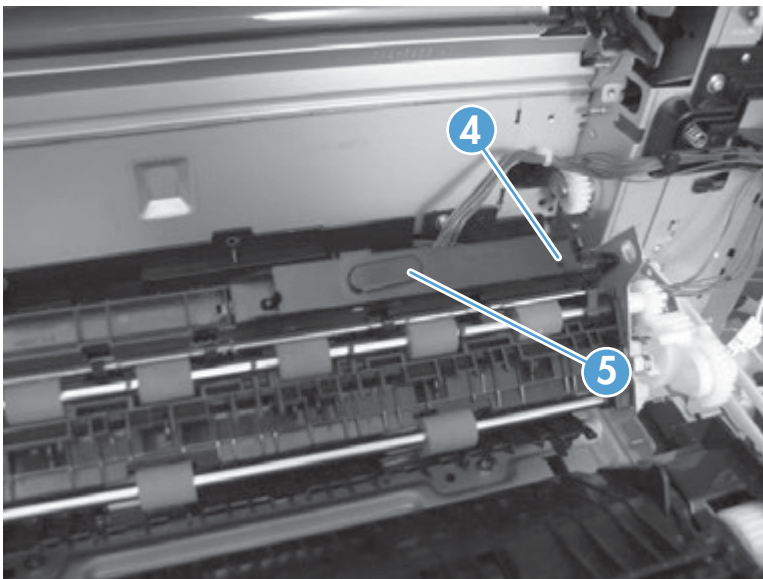
5. Separate the assembly from the product, release one tab (callout 4), and then remove the cover (callout 5).

---

**CAUTION:** The assembly is still attached to the product by the wire harnesses.

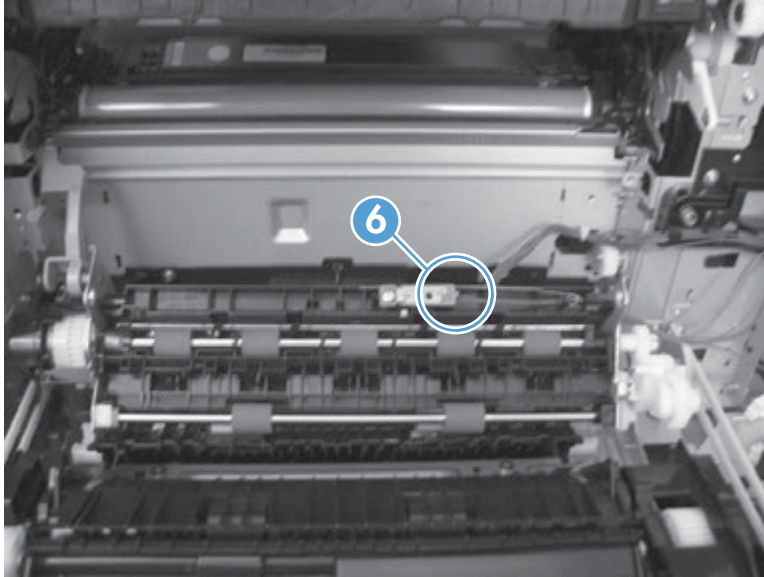
---

**Figure 1-207** Remove the registration assembly (5 of 8)



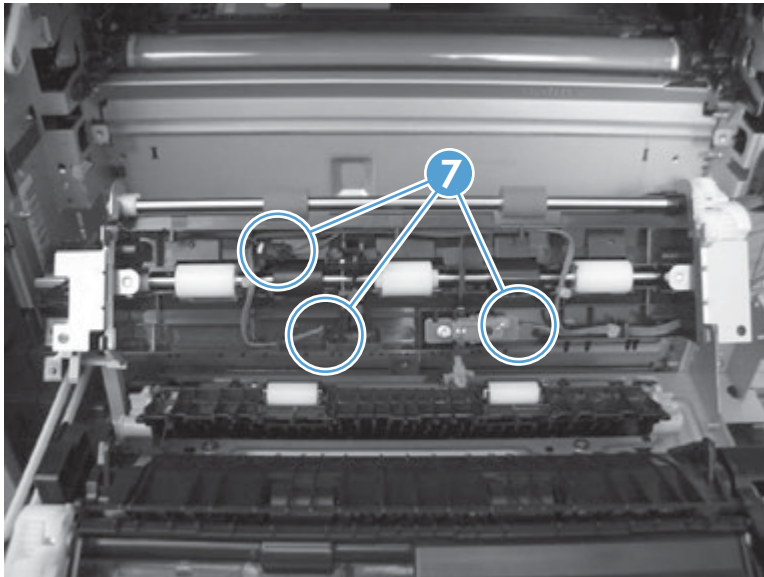
6. Disconnect one connector (callout 6), and then release the wire harness from the retainer.

**Figure 1-208** Remove the registration assembly (6 of 8)




7. Disconnect three connectors (callout 7) on the back side of the assembly, and then release the wires from the retainers.

**Figure 1-209** Remove the registration assembly (7 of 8)



8. Remove the assembly.

 **Reinstallation tip** When you reinstall the registration assembly, make sure that it is correctly positioned in the product. The tabs on the assembly must fit into the slots in the product chassis and the assembly should fit securely up against the product chassis.

**Figure 1-210** Remove the registration assembly (8 of 8)



## High-voltage power supply lower

### Before proceeding, remove the following components:

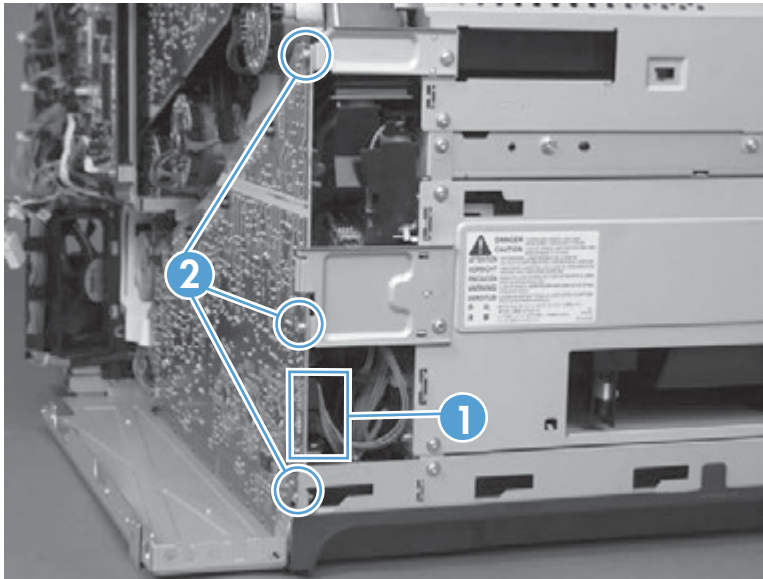
- Toner-collection unit. See [Toner-collection unit on page 15](#).
- Formatter PCA. See [Formatter PCA on page 17](#).
- Right-rear cover. See [Right-rear cover on page 59](#).
- Left cover. See [Left cover on page 61](#).
- Rear-upper cover. See [Rear-upper cover on page 64](#).
- Rear cover. See [Rear cover on page 67](#).
- Interconnect board (ICB). See [Interconnect board \(ICB\) on page 108](#).
- Low-voltage power supply (LVPS). See [Low-voltage power supply \(LVPS\) on page 113](#).

### Remove the high-voltage power supply lower

**CAUTION:**  ESD-sensitive part.

1. Disconnect two connectors (callout 1), and then remove three screws (callout 2).

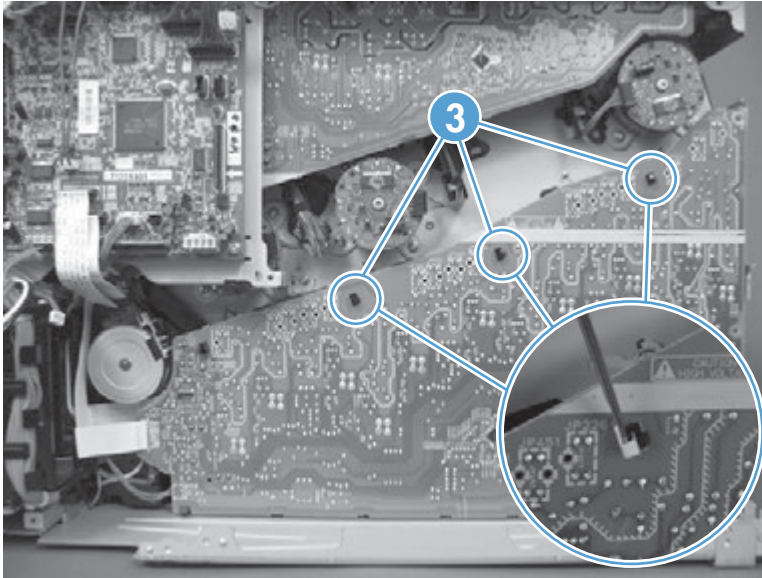
**Figure 1-211** Remove the high-voltage power supply lower (1 of 4)



2. Use a small flat blade screwdriver to carefully remove three locking clips (callout 3).

**⚠ CAUTION:** Do not damage the PCA with the screwdriver.

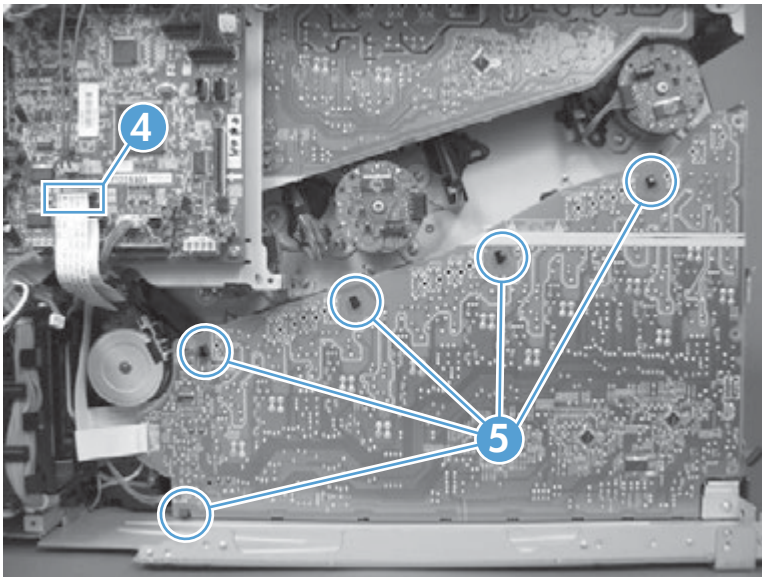
**Figure 1-212** Remove the high-voltage power supply lower (2 of 4)



3. Disconnect one connector (callout 4; J114), and then release five clips (callout 5).

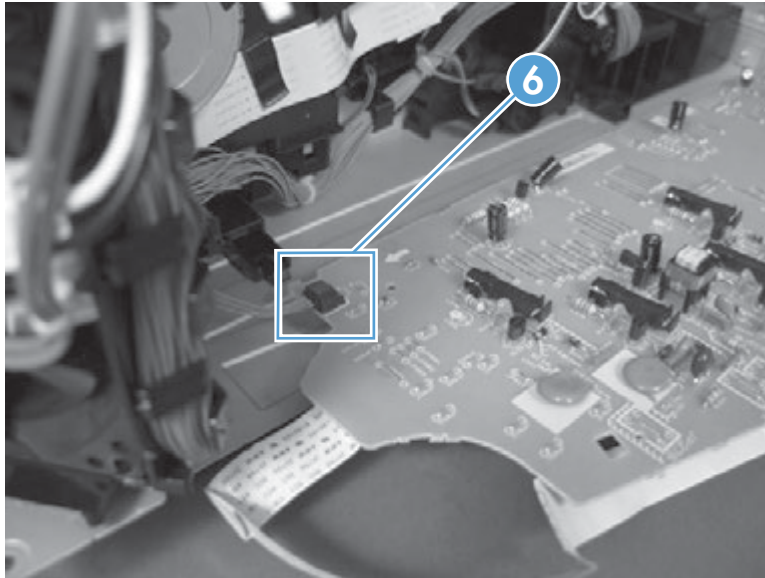
**📝 NOTE:** To locate DC controller connector locations, see [DC controller PCA on page 8](#).

**Figure 1-213** Remove the high-voltage power supply lower (3 of 4)



4. Rotate the top of the power supply away from the chassis, and then disconnect one connector (callout 6). Remove the power supply

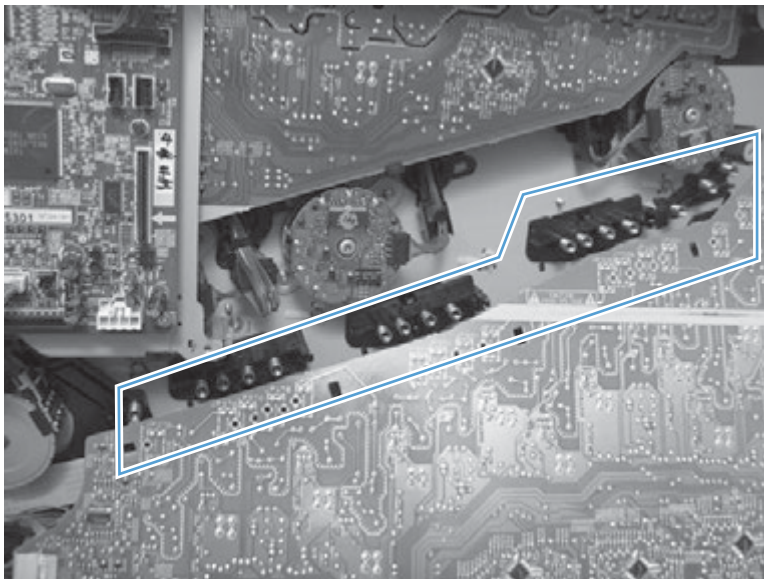
**Figure 1-214** Remove the high-voltage power supply lower (4 of 4)



### Reinstall the high-voltage power supply lower

When you reinstall the power supply, look through the holes in the PCA and make sure that the high-voltage contact springs are correctly seated against the PCA.

**Figure 1-215** Reinstall the high-voltage power supply lower



## Developing-disengagement motor

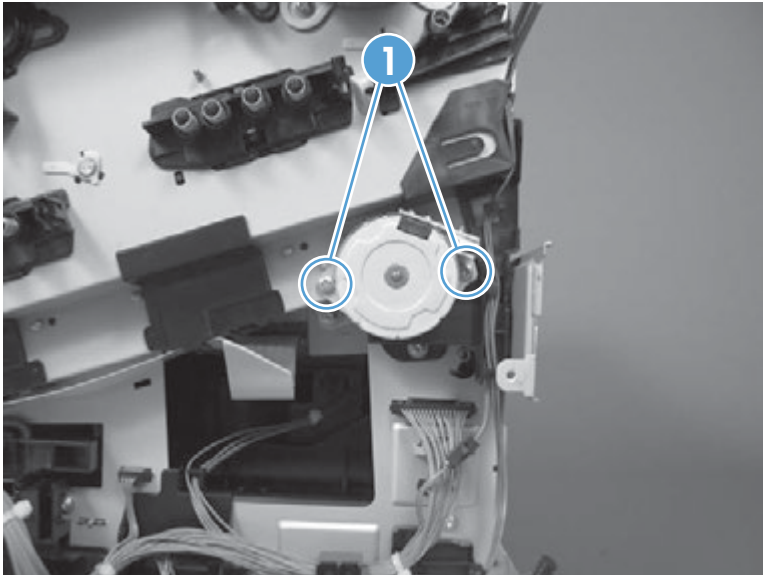
### Before proceeding, remove the following components:

- Toner-collection unit. See [Toner-collection unit on page 15](#).
- Formatter PCA. See [Formatter PCA on page 17](#).
- Right-rear cover. See [Right-rear cover on page 59](#).
- Left cover. See [Left cover on page 61](#).
- Rear-upper cover. See [Rear-upper cover on page 64](#).
- Rear cover. See [Rear cover on page 67](#).
- Interconnect board (ICB). See [Interconnect board \(ICB\) on page 108](#).
- Low-voltage power supply (LVPS). See [Low-voltage power supply \(LVPS\) on page 113](#).
- High-voltage power supply lower. See [High-voltage power supply lower on page 149](#).

### Remove the developing-disengagement motor

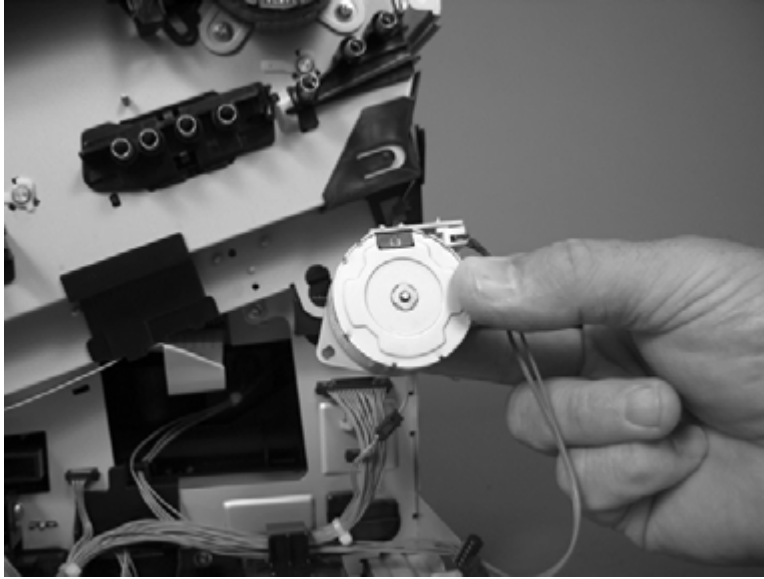
1. Remove two screws (callout 1).


**Figure 1-216** Remove the developing-disengagement motor (1 of 2)



2. Remove the motor.

**Figure 1-217** Remove the developing-disengagement motor (2 of 2)



 **Reinstallation tip** Make sure the motor is installed correctly. The PCA on the motor should be on top when the installation is complete.

---

## Pickup motor

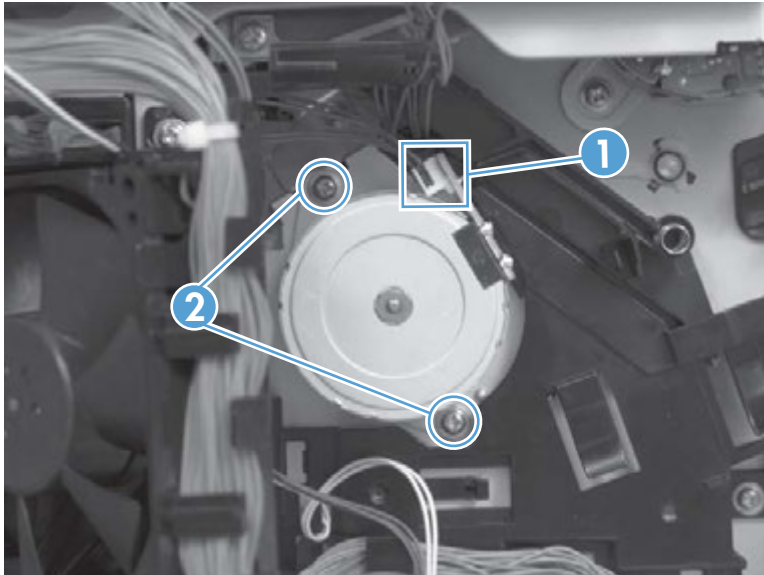
### Before proceeding, remove the following components:

- Toner-collection unit. See [Toner-collection unit on page 15](#).
- Formatter PCA. See [Formatter PCA on page 17](#).
- Right-rear cover. See [Right-rear cover on page 59](#).
- Left cover. See [Left cover on page 61](#).
- Rear-upper cover. See [Rear-upper cover on page 64](#).
- Rear cover. See [Rear cover on page 67](#).
- Interconnect board (ICB). See [Interconnect board \(ICB\) on page 108](#).
- Low-voltage power supply (LVPS). See [Low-voltage power supply \(LVPS\) on page 113](#).
- High-voltage power supply lower. See [High-voltage power supply lower on page 149](#).

### Remove the pickup motor

Disconnect one connector (callout 1), remove two screws (callout 2), and then remove the motor.

**Figure 1-218** Remove the pickup motor



## Lifter-drive assembly

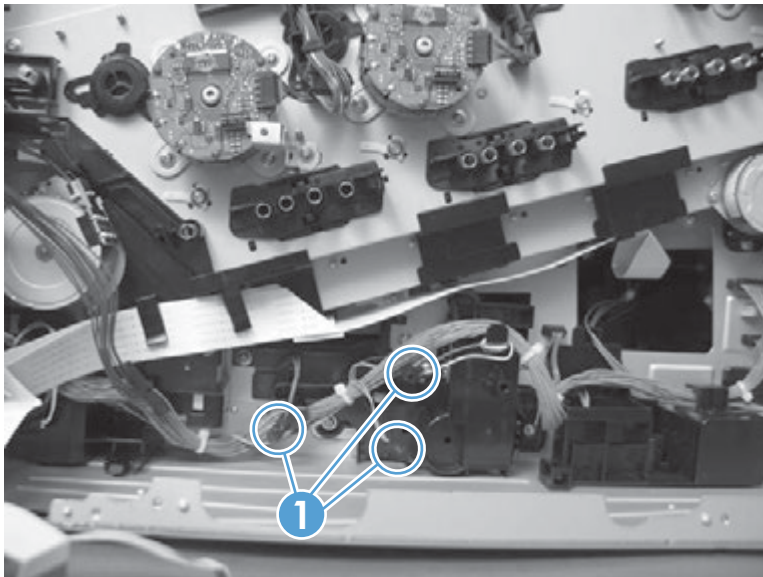
### Before proceeding, remove the following components:

- Toner-collection unit. See [Toner-collection unit on page 15](#).
- Formatter PCA. See [Formatter PCA on page 17](#).
- Right-rear cover. See [Right-rear cover on page 59](#).
- Left cover. See [Left cover on page 61](#).
- Rear-upper cover. See [Rear-upper cover on page 64](#).
- Rear cover. See [Rear cover on page 67](#).
- Interconnect board (ICB). See [Interconnect board \(ICB\) on page 108](#).
- Low-voltage power supply (LVPS). See [Low-voltage power supply \(LVPS\) on page 113](#).
- High-voltage power supply lower. See [High-voltage power supply lower on page 149](#).

### Remove the lifter-drive assembly

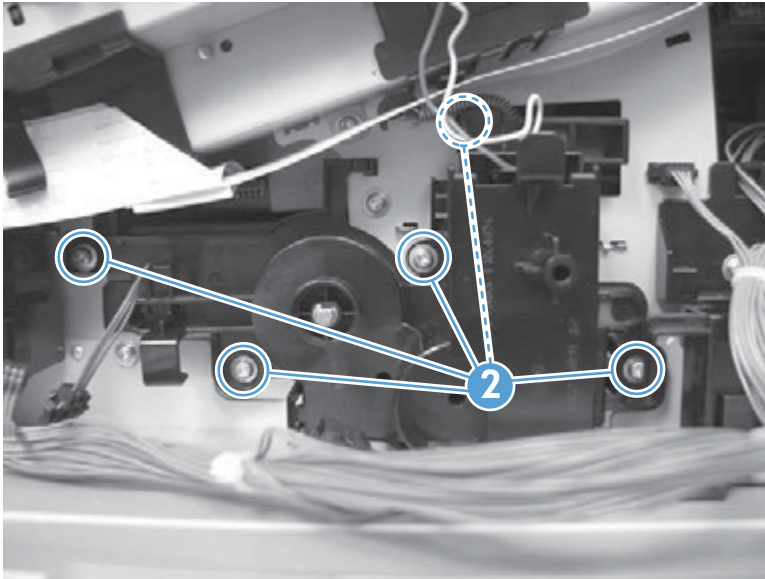
1. Disconnect three connectors (callout 1), and then release the wire harness from the retainers.

**Figure 1-219** Remove the lifter-drive assembly (1 of 2)



2. Remove five screws (callout 2), and then remove the assembly.

**Figure 1-220** Remove the lifter-drive assembly (2 of 2)



## Tray-pickup drive assembly

### Before proceeding, remove the following components:

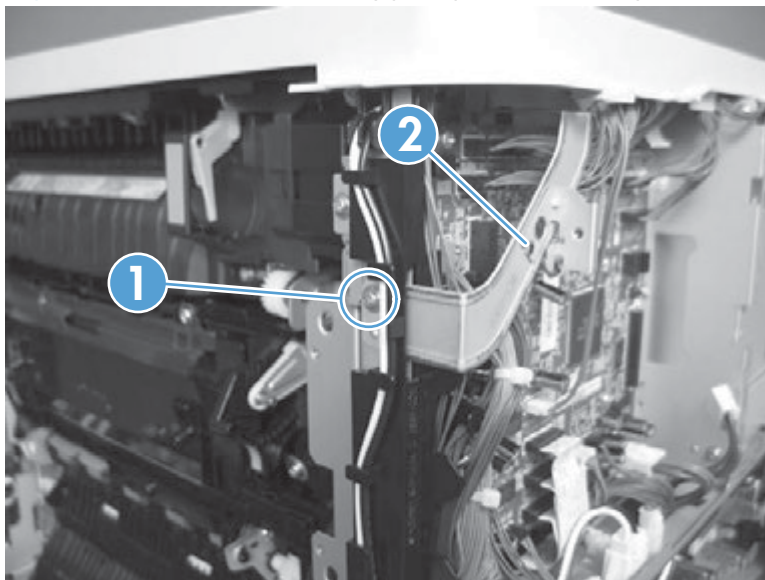
- Toner-collection unit. See [Toner-collection unit on page 15](#).
- Formatter PCA. See [Formatter PCA on page 17](#).
- Right-rear cover. See [Right-rear cover on page 59](#).
- Left cover. See [Left cover on page 61](#).
- Rear-upper cover. See [Rear-upper cover on page 64](#).
- Rear cover. See [Rear cover on page 67](#).
- Interconnect board (ICB). See [Interconnect board \(ICB\) on page 108](#).
- Low-voltage power supply (LVPS). See [Low-voltage power supply \(LVPS\) on page 113](#).
- High-voltage power supply lower. See [High-voltage power supply lower on page 149](#).

### Remove the tray-pickup drive assembly

 **NOTE:** To remove the pickup motor only, see [Pickup motor on page 154](#).

1. Remove one screw (callout 1), and then remove the sheet-metal bracket (callout 2).

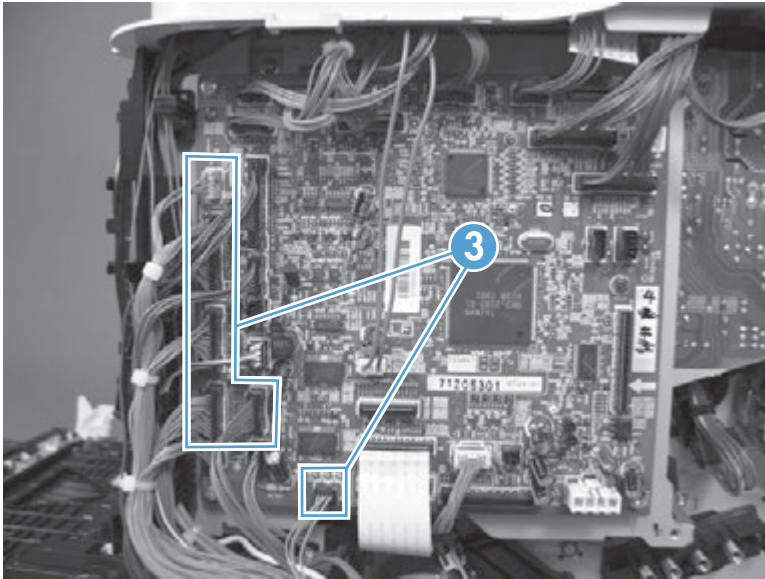
**Figure 1-221** Remove the tray-pickup drive assembly (1 of 10)



2. Disconnect six connectors (callout 3; J106, J107, J108, J137, J138, J140).

 **NOTE:** To locate DC controller connector locations, see [DC controller PCA on page 8](#).

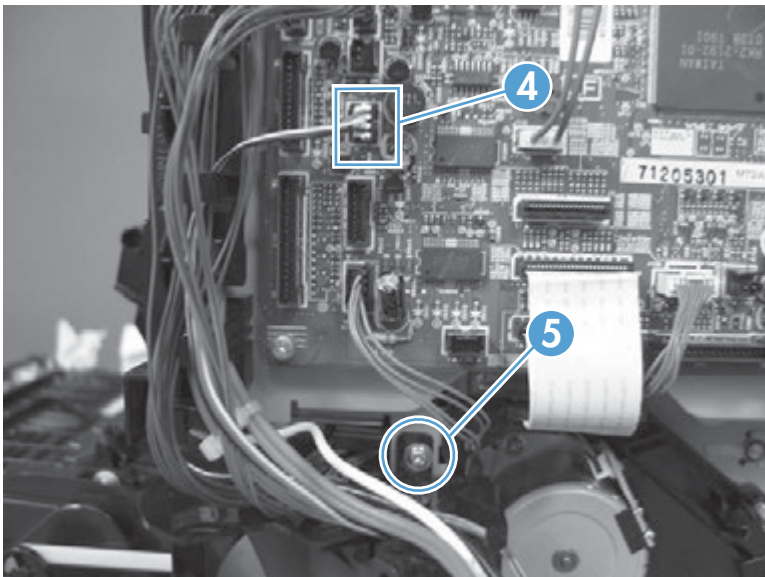
**Figure 1-222** Remove the tray-pickup drive assembly (2 of 10)



3. Disconnect one connector (callout 4; J119), remove one screw (callout 5), and then release the wire harness from the guides.

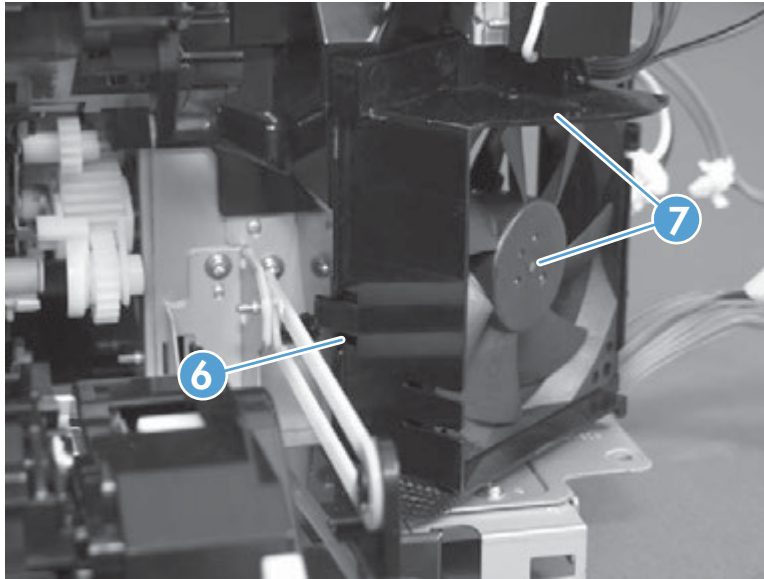
 **NOTE:** To locate DC controller connector locations, see [DC controller PCA on page 8](#).

**Figure 1-223** Remove the tray-pickup drive assembly (3 of 10)



4. Release one tab (callout 6), and then remove the fan and fan duct (callout 7).

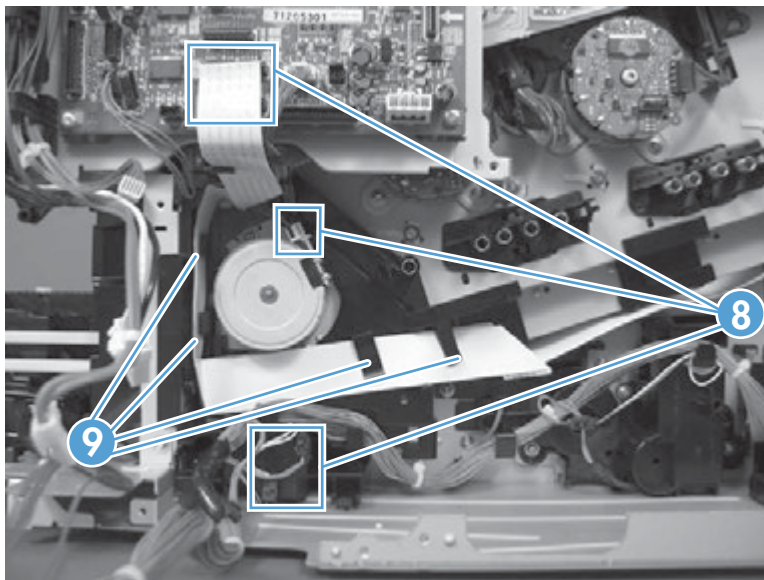
**Figure 1-224** Remove the tray-pickup drive assembly (4 of 10)



5. Disconnect five connectors (callout 8; J110, J111 on the DC controller PCA), release the FFCs from the guide (callout 9), and then release the wire harnesses from the guides.

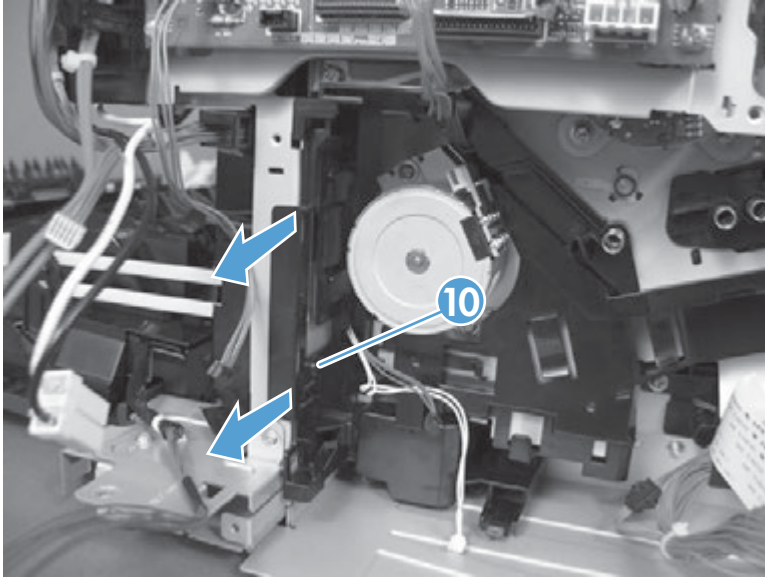
 **NOTE:** To locate DC controller connector locations, see [DC controller PCA on page 8](#).

**Figure 1-225** Remove the tray-pickup drive assembly (5 of 10)



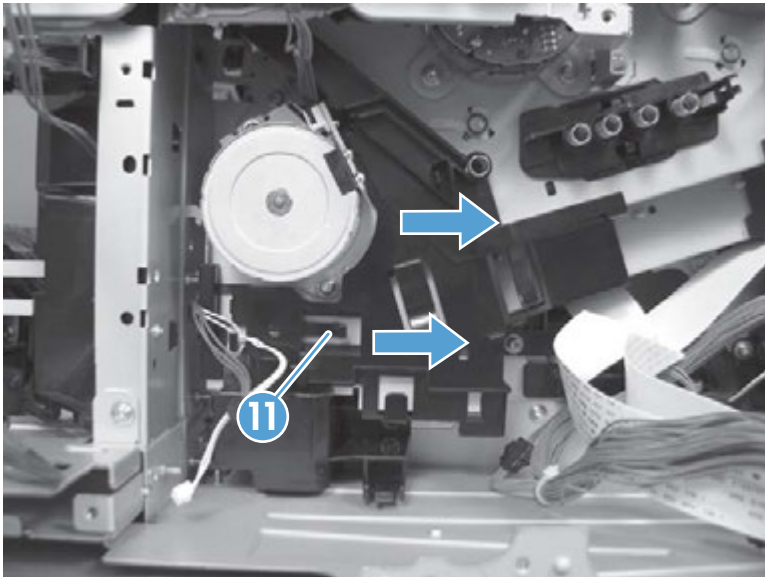
6. Release one tab (callout 10), and then remove the guide.

**Figure 1-226** Remove the tray-pickup drive assembly (6 of 10)



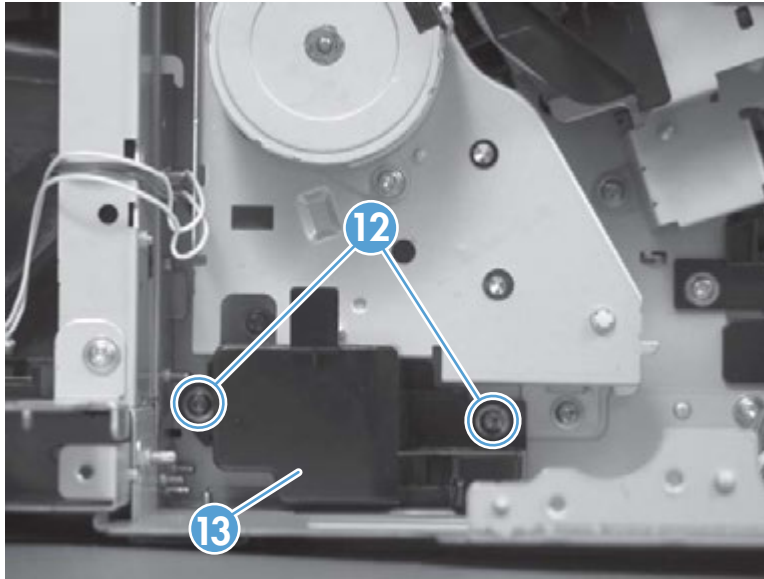
7. Release one tab (callout 11), and then remove the guide.

**Figure 1-227** Remove the tray-pickup drive assembly (7 of 10)



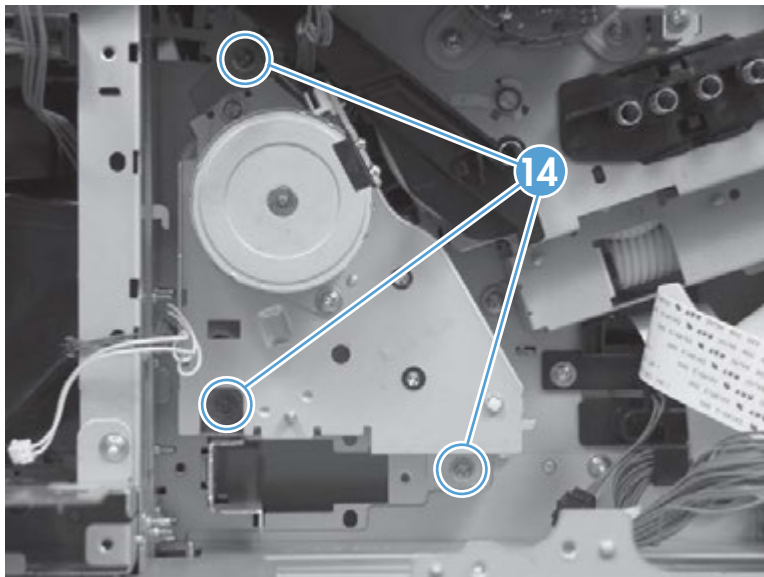
8. Remove two screws (callout 12), and then remove the high-voltage bracket (callout 13).

**Figure 1-228** Remove the tray-pickup drive assembly (8 of 10)



9. Remove three screws (callout 14).

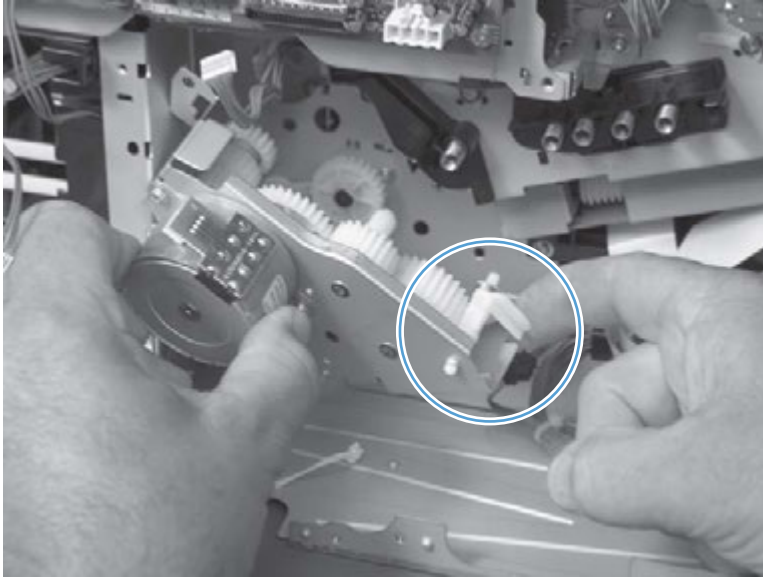
**Figure 1-229** Remove the tray-pickup drive assembly (9 of 10)



10. Carefully remove the assembly.

**⚠ CAUTION:** The gears, arm, and spring on the assembly are not captive. Use your finger to secure the arm and spring as you remove the assembly. If the gears, arm, or spring become dislodged, see [Reinstall the tray-pickup drive assembly on page 162](#).

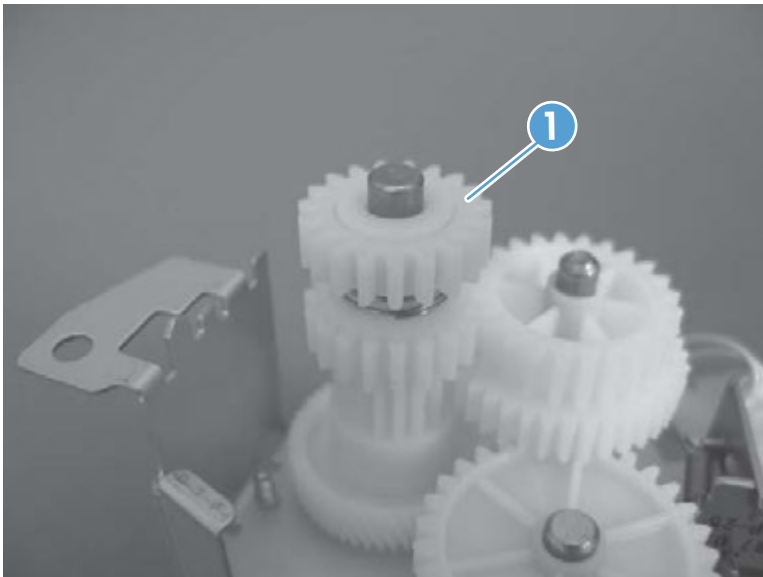
**Figure 1-230** Remove the tray-pickup drive assembly (10 of 10)



### Reinstall the tray-pickup drive assembly

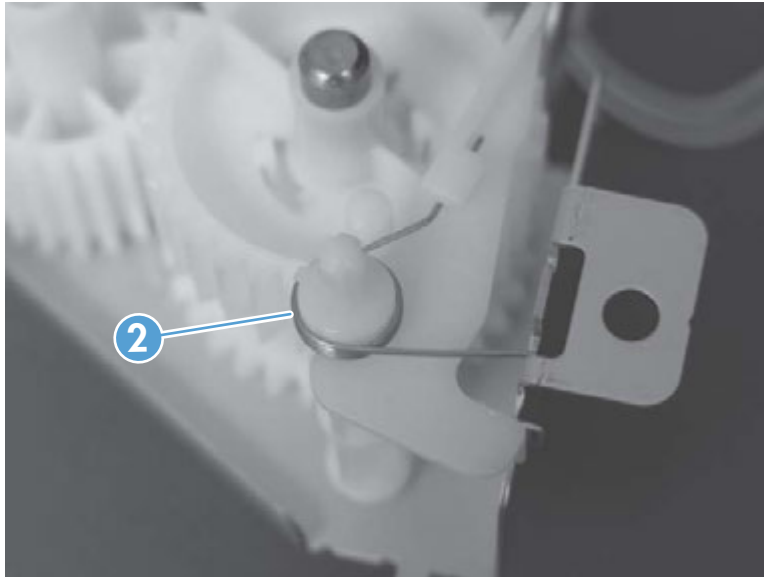
1. Make sure that the spring-loaded gear (callout 1) is correctly installed.

**Figure 1-231** Reinstall the tray-pickup drive assembly (1 of 3)



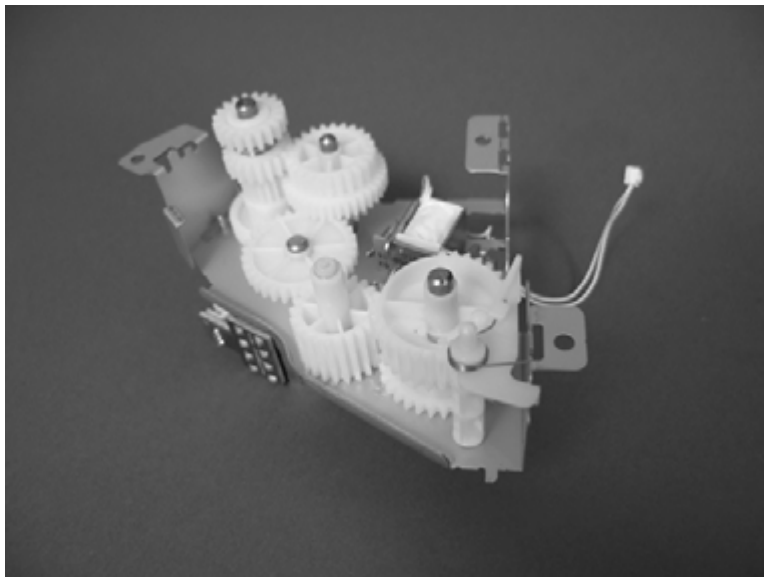
2. Make sure that the spring (callout 2) is correctly installed.

**Figure 1-232** Reinstall the tray-pickup drive assembly (2 of 3)



3. Make sure that the gears, arm, and spring are correctly installed.

**Figure 1-233** Reinstall the tray-pickup drive assembly (3 of 3)



## Tray-pickup assembly

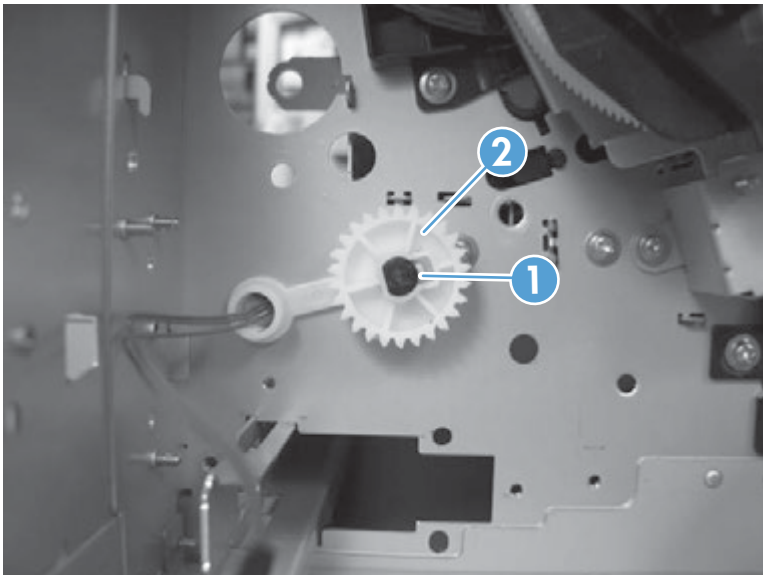
### Before proceeding, remove the following components:

- Toner-collection unit. See [Toner-collection unit on page 15](#).
- Formatter PCA. See [Formatter PCA on page 17](#).
- Right-rear cover. See [Right-rear cover on page 59](#).
- Left cover. See [Left cover on page 61](#).
- Rear-upper cover. See [Rear-upper cover on page 64](#).
- Rear cover. See [Rear cover on page 67](#).
- Interconnect board (ICB). See [Interconnect board \(ICB\) on page 108](#).
- Low-voltage power supply (LVPS). See [Low-voltage power supply \(LVPS\) on page 113](#).
- Registration density (RD) sensor assembly. See [Registration density \(RD\) sensor assembly on page 137](#).
- High-voltage power supply lower. See [High-voltage power supply lower on page 149](#).
- Tray-pickup drive assembly. See [Tray-pickup drive assembly on page 157](#).

### Remove the tray-pickup assembly

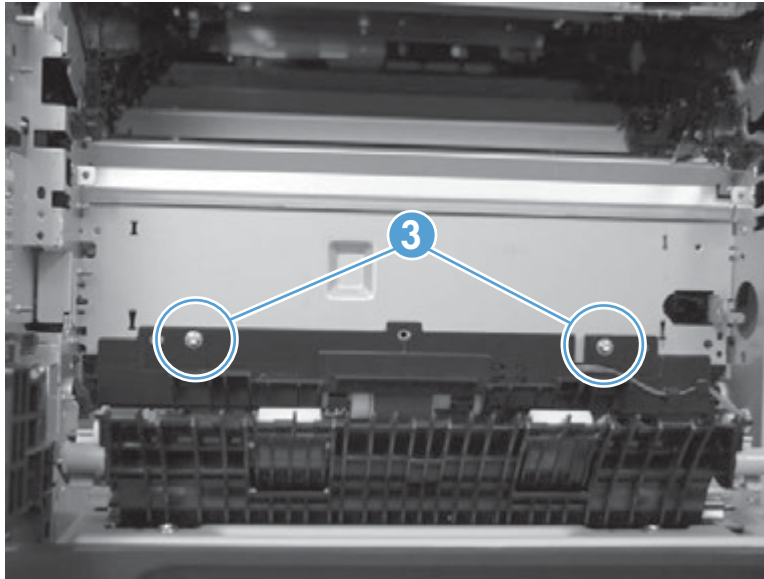
1. Release one tab (callout 1), and then remove the gear (callout 2).

**Figure 1-234** Remove the tray-pickup assembly (1 of 3)



2. Remove two screws (callout 3).

**Figure 1-235** Remove the tray-pickup assembly (2 of 3)



3. Remove the assembly.

**Figure 1-236** Remove the tray-pickup assembly (3 of 3)



## Laser/scanner assembly (Y/M)

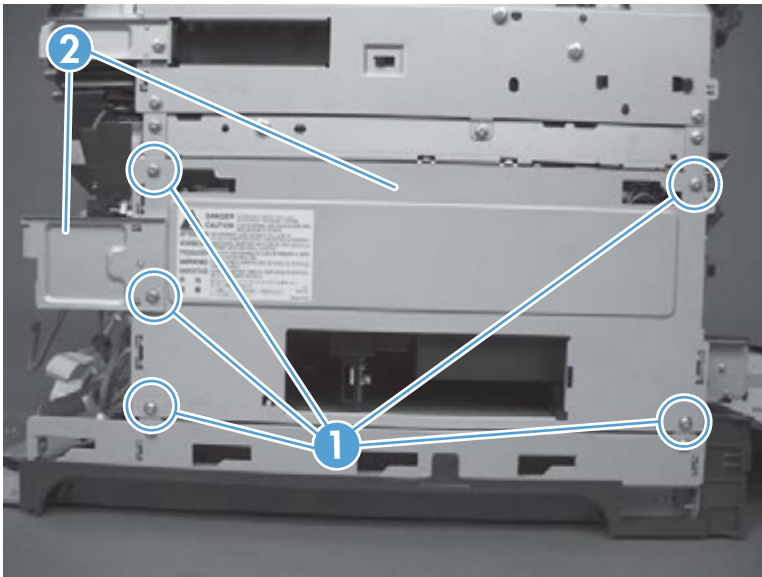
### Before proceeding, remove the following components:

- Toner-collection unit. See [Toner-collection unit on page 15](#).
- Formatter PCA. See [Formatter PCA on page 17](#).
- Right-rear cover. See [Right-rear cover on page 59](#).
- Left cover. See [Left cover on page 61](#).
- Rear-upper cover. See [Rear-upper cover on page 64](#).
- Rear cover. See [Rear cover on page 67](#).
- Interconnect board (ICB). See [Interconnect board \(ICB\) on page 108](#).
- Low-voltage power supply (LVPS). See [Low-voltage power supply \(LVPS\) on page 113](#).
- High-voltage power supply lower. See [High-voltage power supply lower on page 149](#).

### Remove the laser/scanner assembly (Y/M)

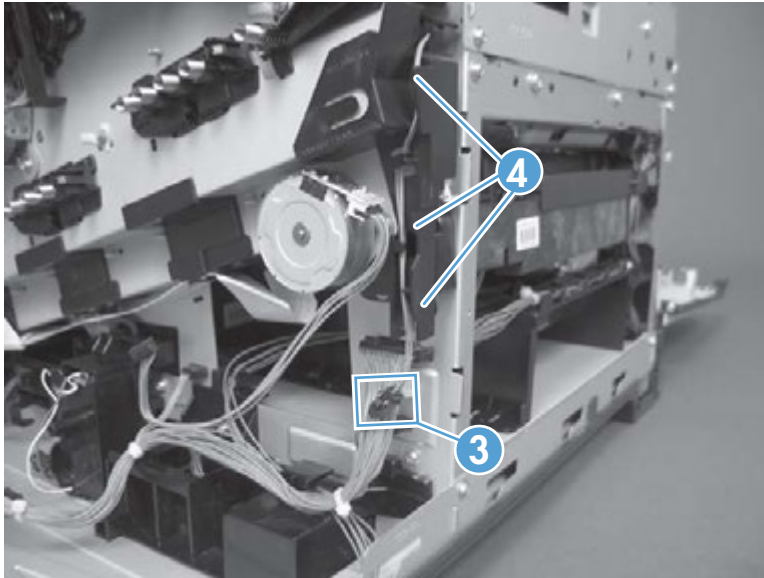
1. Remove five screws (callout 1), and then remove the sheet-metal plate (callout 2).

**Figure 1-237** Remove the laser/scanner assembly (Y/M) (1 of 12)



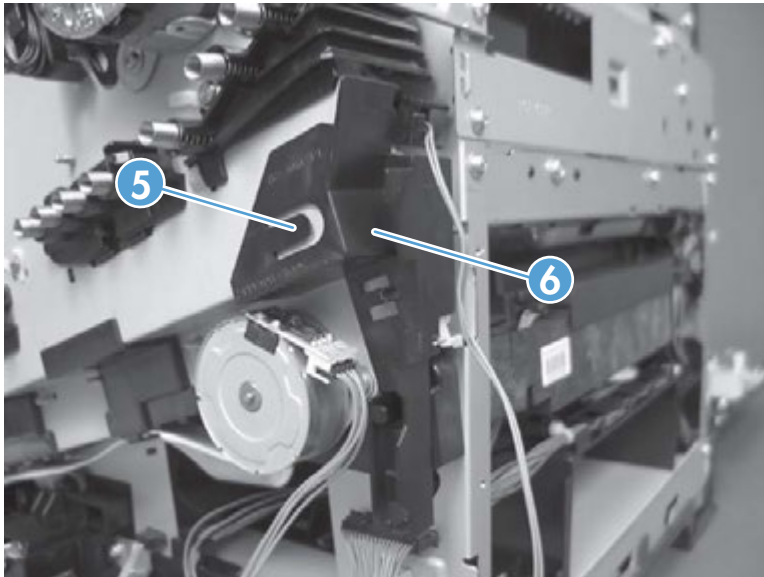
2. Disconnect in-line one connector (callout 3), and then release the wire harnesses from the guide (callout 4).

**Figure 1-238** Remove the laser/scanner assembly (Y/M) (2 of 12)



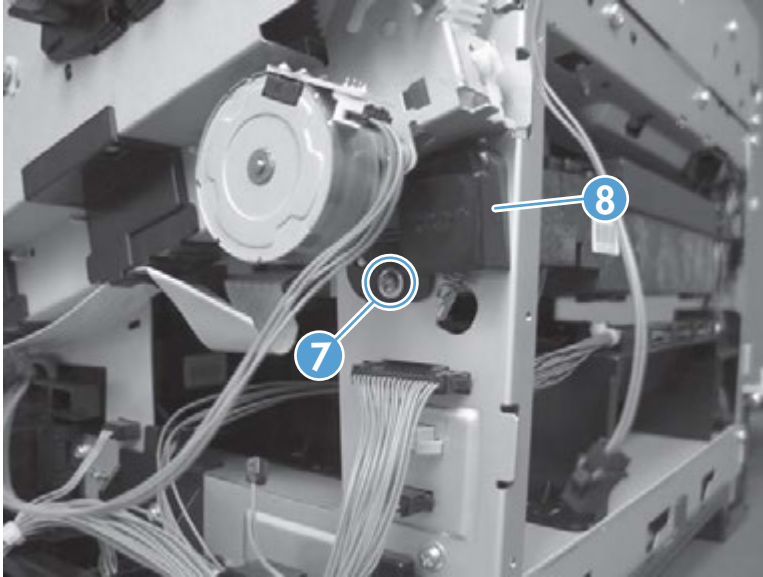
3. Release one tab (callout 5), and then remove the guide (callout 6).

**Figure 1-239** Remove the laser/scanner assembly (Y/M) (3 of 12)



4. Remove one screw (callout 7), and then remove the cover (callout 8).

**Figure 1-240** Remove the laser/scanner assembly (Y/M) (4 of 12)

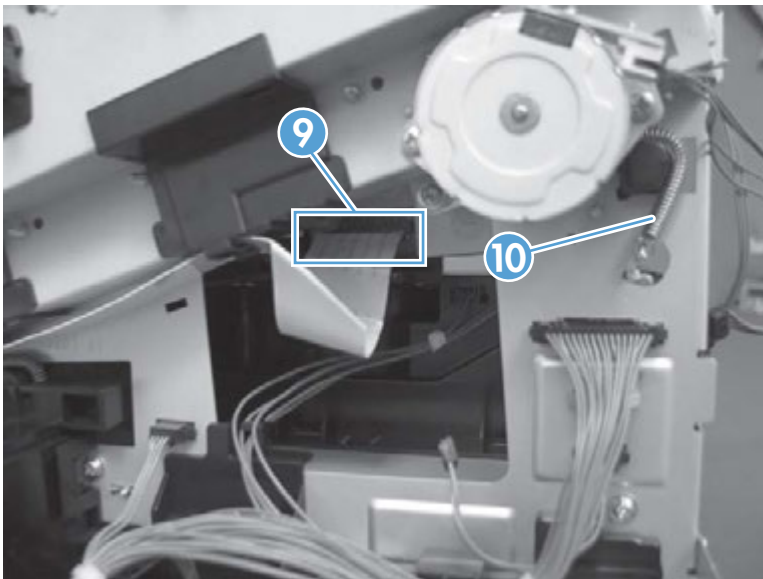


5. Disconnect one FFC (callout 9), and then release one spring (callout 10).


**CAUTION:** The spring is not captive. Do not lose the spring when it is removed. Use a pair of needle-nose pliers to safely retain the spring when it is removed. Do not use a flat blade screwdriver to remove the spring; the spring could forcibly leave the product and strike you.

**Reinstallation tip** When you reinstall the spring, make sure that the laser/scanner fits tightly up against the product chassis, and make sure that the FFC is fully seated in the connector. The locator tabs on the front and rear of the scanner must be firmly seated in the slots in the chassis.

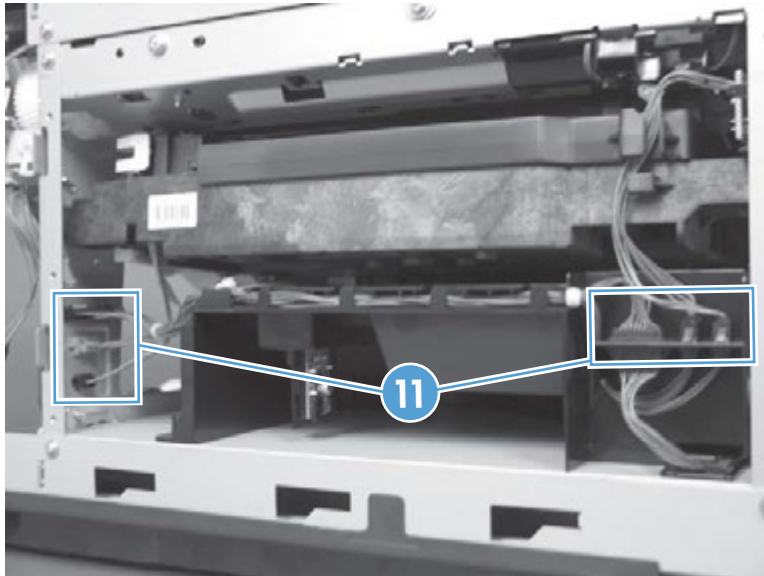
**Figure 1-241** Remove the laser/scanner assembly (Y/M) (5 of 12)



6. Disconnect six connectors (callout 11).

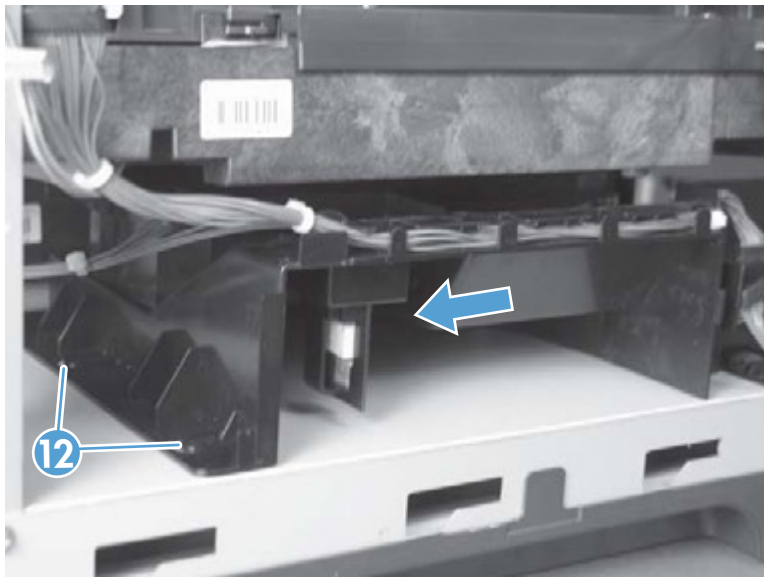
 **NOTE:** Disconnect the larger connector on the right side from the bottom. Disconnect the two smaller connectors on the right side from the top.

**Figure 1-242** Remove the laser/scanner assembly (Y/M) (6 of 12)



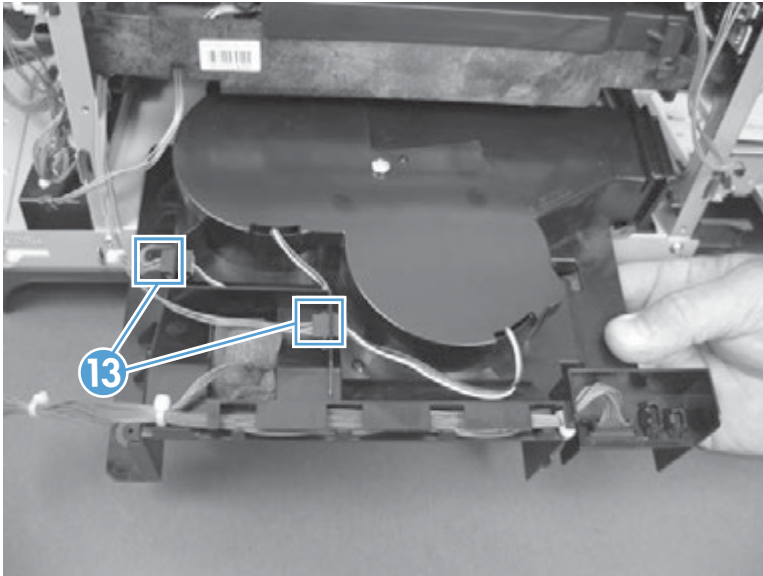
7. Release two tabs (callout 12), and then slide the fan assembly toward the power-supply side of the product to release it.

**Figure 1-243** Remove the laser/scanner assembly (Y/M) (7 of 12)



8. Pull the fan assembly slightly out of the product, disconnect two connectors (callout 13), and then remove the assembly.

**Figure 1-244** Remove the laser/scanner assembly (Y/M) (8 of 12)

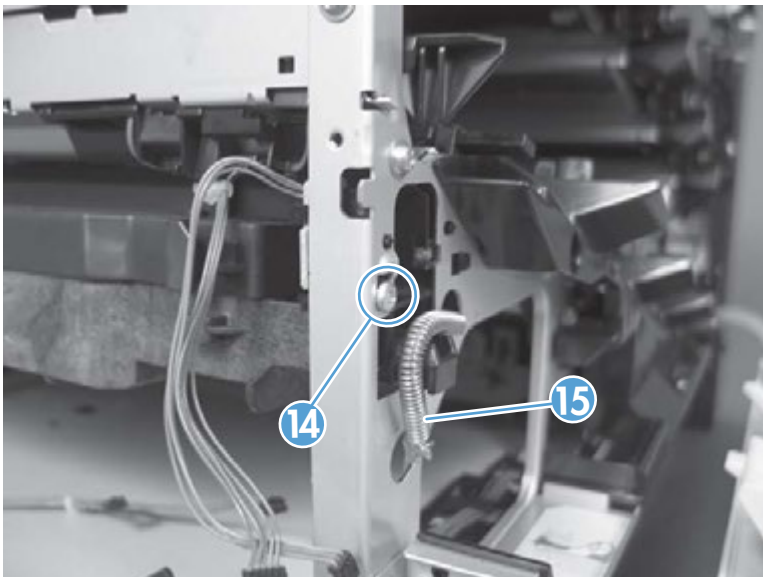


9. Remove one screw (callout 14), and then release one spring (callout 15).

**CAUTION:** The spring is not captive. Do not lose the spring when it is removed. Use a pair of needle-nose pliers to safely retain the spring when it is removed. Do not use a flat blade screwdriver to remove the spring; the spring could forcibly leave the product and strike you.

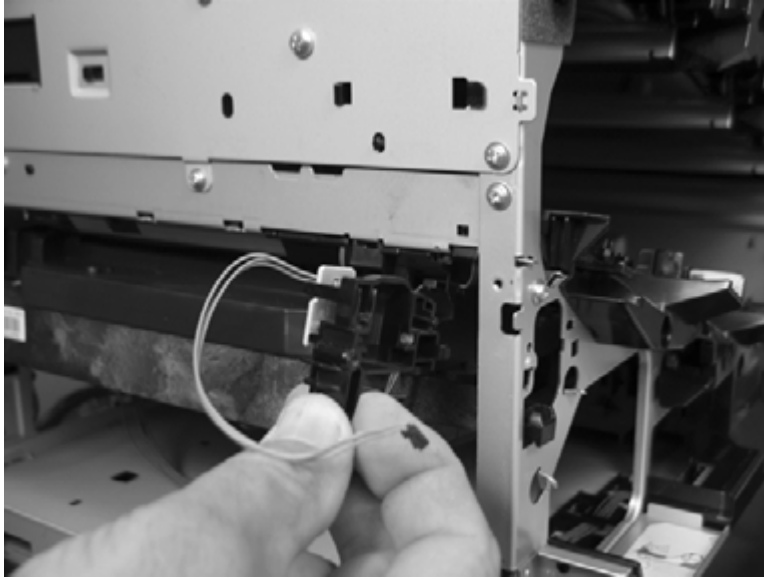
**Reinstallation tip** When the laser/scanner is properly positioned in the chassis, the plastic parts which protrude at the front and rear of the product will be firmly seated against the locator tabs on the chassis. Verify that the assembly is correctly seated, and then install the spring.

**Figure 1-245** Remove the laser/scanner assembly (Y/M) (9 of 12)



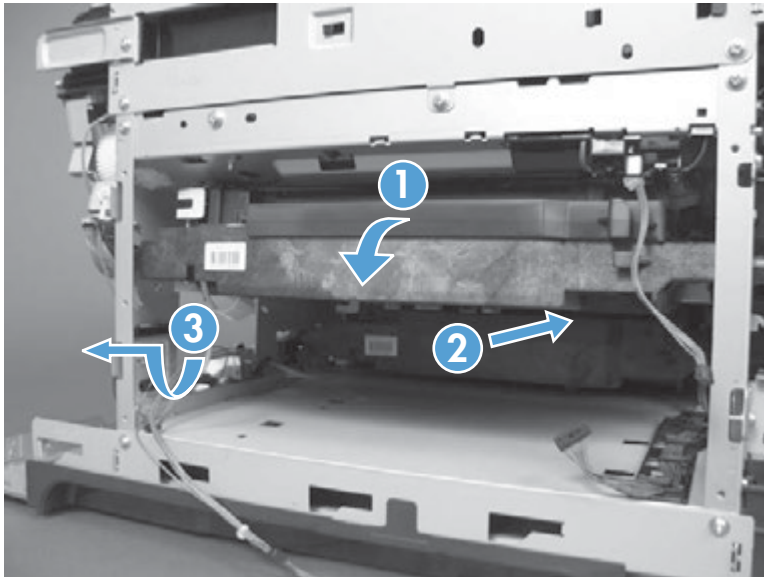
10. Remove the toner collection sensor.

**Figure 1-246** Remove the laser/scanner assembly (Y/M) (10 of 12)



11. Rotate the front of the laser/scanner assembly down (callout 1), and then slide it toward the right (callout 2). Lower the left corner, and then rotate the left corner out of the product (callout 3).

**Figure 1-247** Remove the laser/scanner assembly (Y/M) (11 of 12)



12. Pull the laser/scanner assembly straight out of the product to remove it.

**Figure 1-248** Remove the laser/scanner assembly (Y/M) (12 of 12)



## Laser/scanner assembly (C/Bk)

### Before proceeding, remove the following components:

- Toner-collection unit. See [Toner-collection unit on page 15](#).
- Formatter PCA. See [Formatter PCA on page 17](#).
- Right-rear cover. See [Right-rear cover on page 59](#).
- Left cover. See [Left cover on page 61](#).
- Rear-upper cover. See [Rear-upper cover on page 64](#).
- Rear cover. See [Rear cover on page 67](#).
- Interconnect board (ICB). See [Interconnect board \(ICB\) on page 108](#).
- Low-voltage power supply (LVPS). See [Low-voltage power supply \(LVPS\) on page 113](#).
- High-voltage power supply lower. See [High-voltage power supply lower on page 149](#).
- Lifter drive assembly. See [Lifter-drive assembly on page 155](#).
- Laser/scanner assembly (Y/M). See [Laser/scanner assembly \(Y/M\) on page 166](#).

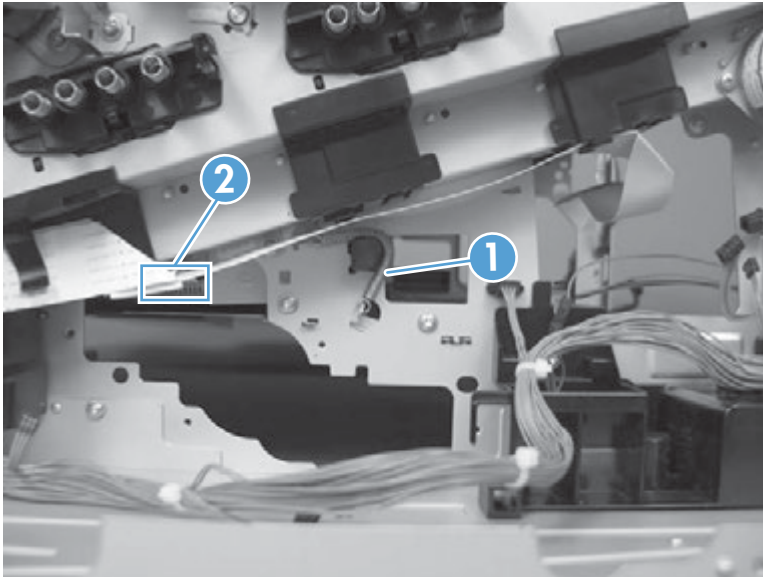
## Remove the laser/scanner assembly (C/Bk)

1. Release one spring (callout 1), and then disconnect one connector (callout 2).

**⚠ CAUTION:** The spring is not captive. Do not lose the spring when it is removed. Use a pair of needle-nose pliers to safely retain the spring when it is removed. Do not use a flat blade screwdriver to remove the spring; the spring could forcibly leave the product and strike you.

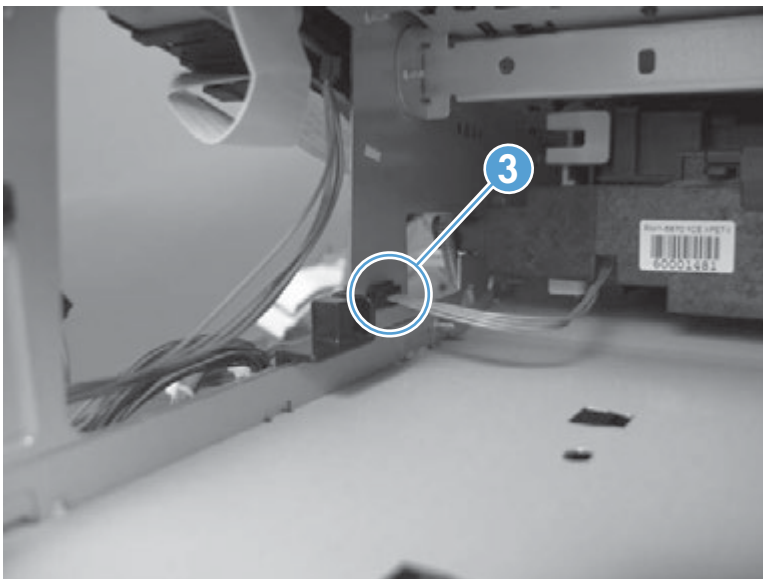
**💡 Reinstallation tip** When you reinstall the spring, make sure that the laser/scanner fits tightly up against the product chassis, and make sure that the FFC is fully seated in the connector. The locator tabs on the front of the scanner must be firmly seated in the slots in the chassis.

**Figure 1-249** Remove the laser/scanner assembly (C/Bk) (1 of 7)



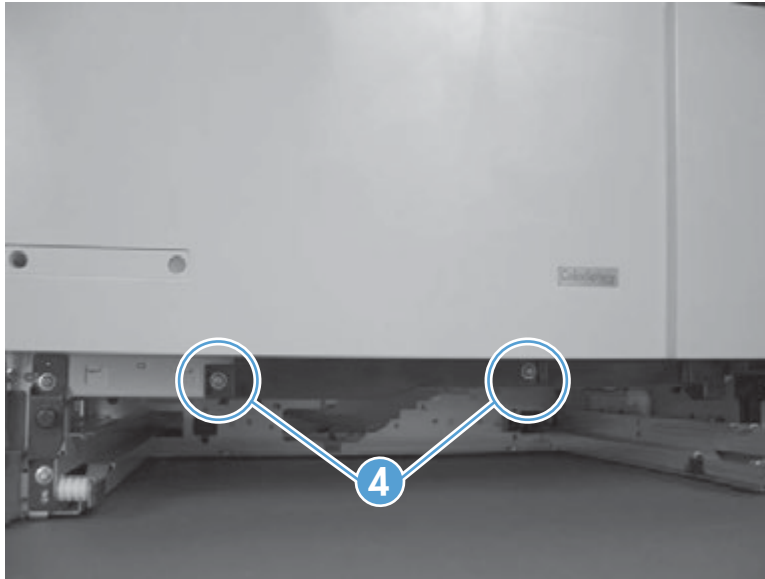
2. Disconnect one connector (callout 3).

**Figure 1-250** Remove the laser/scanner assembly (C/Bk) (2 of 7)



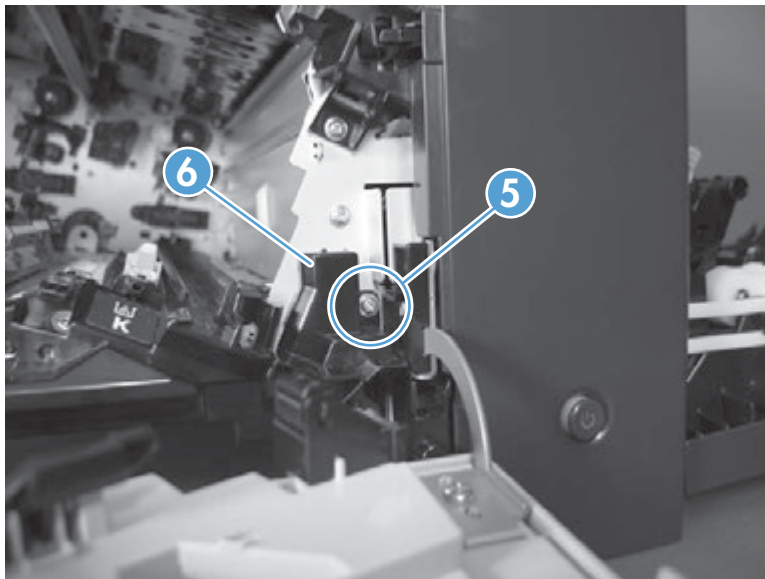
3. Remove two screws (callout 4) located below the front door.

**Figure 1-251** Remove the laser/scanner assembly (C/Bk) (3 of 7)



4. Open the front door, and then remove one screw (callout 5) and the cover (callout 6).

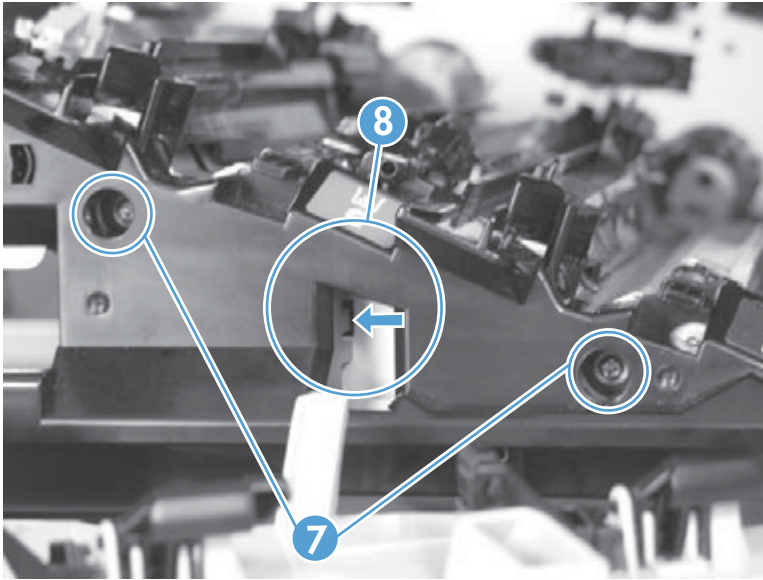
**Figure 1-252** Remove the laser/scanner assembly (C/Bk) (4 of 7)



5. Remove two screws (callout 7). Use your finger to release the locking tab (callout 8), and then remove the cover.

**⚠ CAUTION:** Be careful. The PGC actuators are easily dislodged when the cover is removed. See [Figure 1-256 Reinstall the PGC actuators \(1 of 5\) on page 178](#). To reinstall the actuators, see [Reinstall the protective glass cleaner \(PGC\) actuators on page 178](#).

**Figure 1-253** Remove the laser/scanner assembly (C/Bk) (5 of 7)

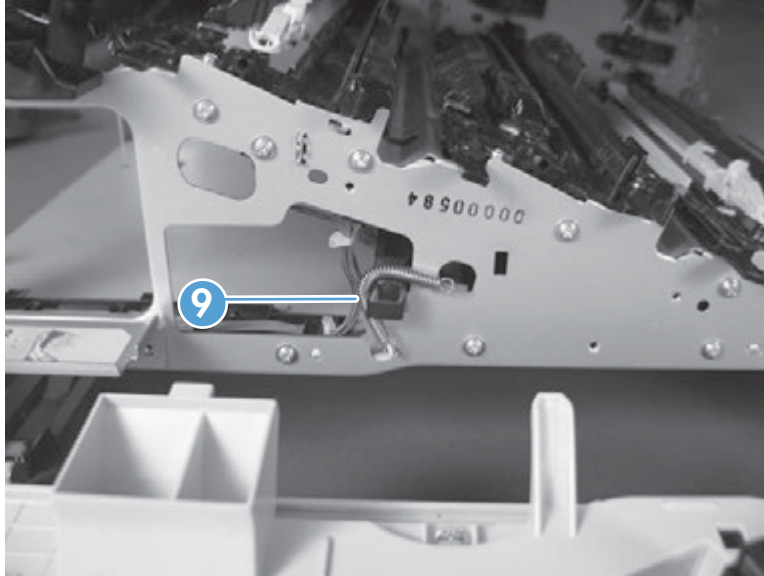


6. Release one spring (callout 9).


**⚠ CAUTION:** The spring is not captive. Do not lose the spring when it is removed. Use a pair of needle-nose pliers to safely retain the spring when it is removed. Do not use a flat blade screwdriver to remove the spring; the spring could forcibly leave the product and strike you.

**💡 Reinstallation tip** When you reinstall the spring, make sure that the laser/scanner fits tightly up against the product chassis.

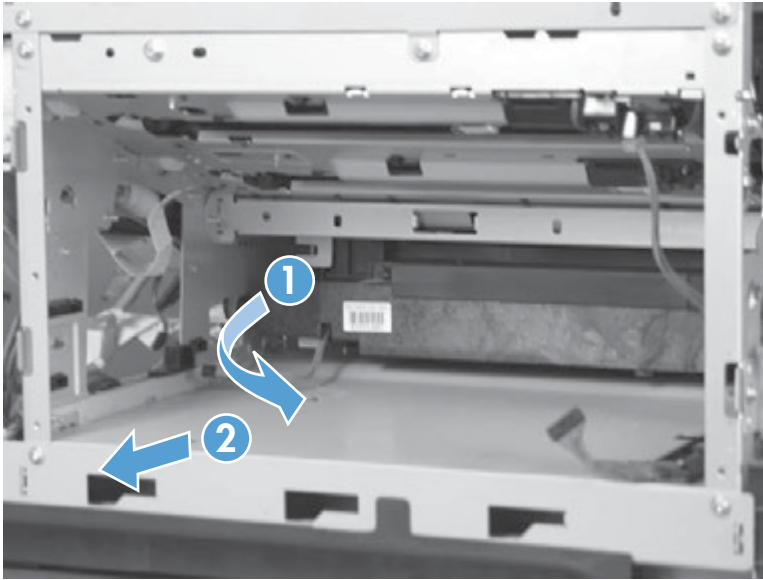
**Figure 1-254** Remove the laser/scanner assembly (C/Bk) (6 of 7)



7. Rotate the corner of the assembly away from the product until you can see the PCA, and then remove the assembly from the product.


 **Reinstallation tip** When the laser/scanner is properly positioned in the chassis, the plastic parts which protrude at the front and rear of the product will be firmly seated against the locator tabs on the chassis. Verify that the assembly is correctly seated, and then install the spring.

**Figure 1-255** Remove the laser/scanner assembly (C/Bk) (7 of 7)

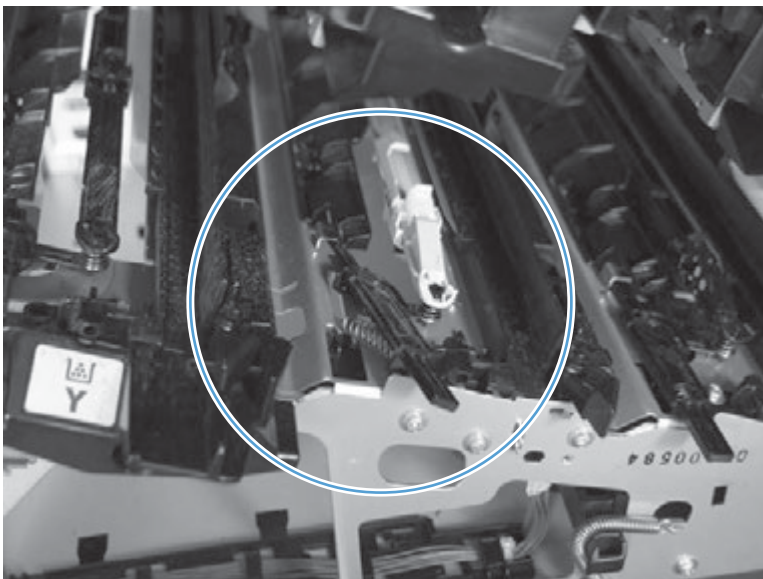


### Reinstall the protective glass cleaner (PGC) actuators

1. The following figure shows a dislodged PGC actuator.

 **TIP:** If the actuator and spring are only slightly dislodged, you might be able to easily push them back into place.

**Figure 1-256** Reinstall the PGC actuators (1 of 5)



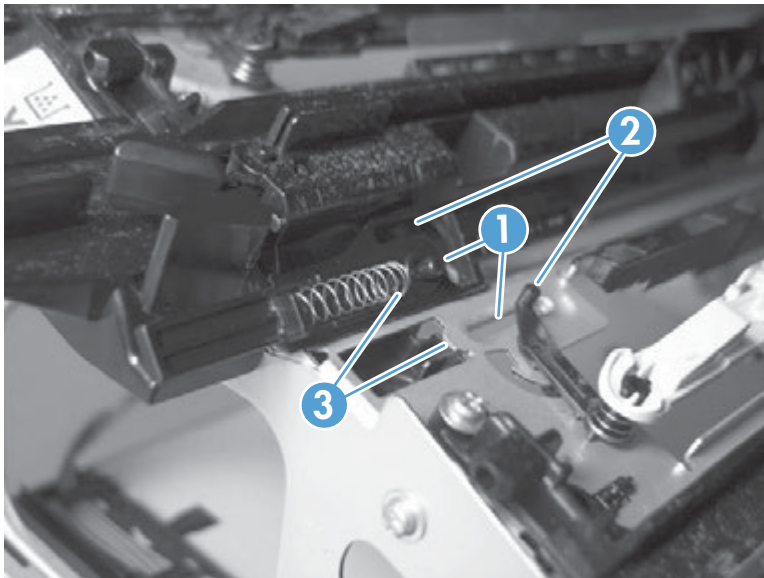
2. Remove the actuator and spring from the product. Install the spring on the actuator.

**Figure 1-257** Reinstall the PGC actuators (2 of 5)



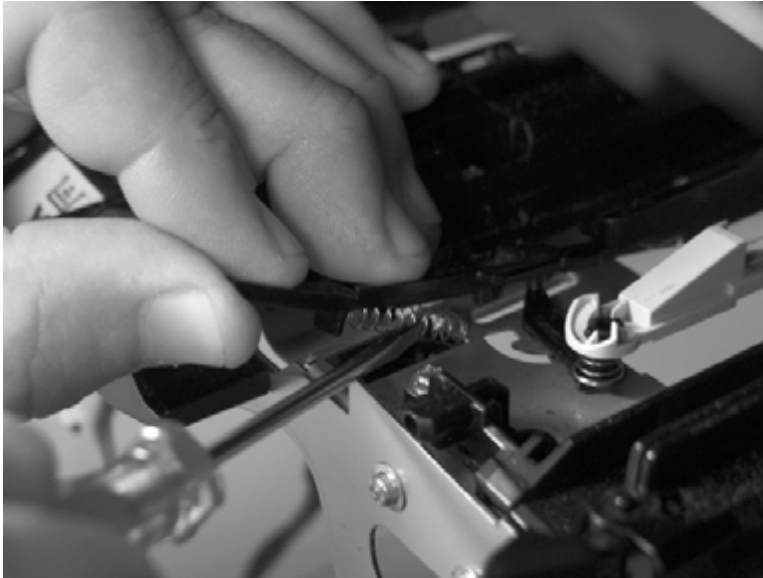
3. Before proceeding, take note of the following:
  - **Callout 1:** The pin on the actuator will be installed into the slot in the chassis.
  - **Callout 2:** The pin on the pivot arm will be installed into the slot on the actuator.
  - **Callout 3:** The end of the spring will be installed onto the tab on the chassis.

**Figure 1-258** Reinstall the PGC actuators (3 of 5)



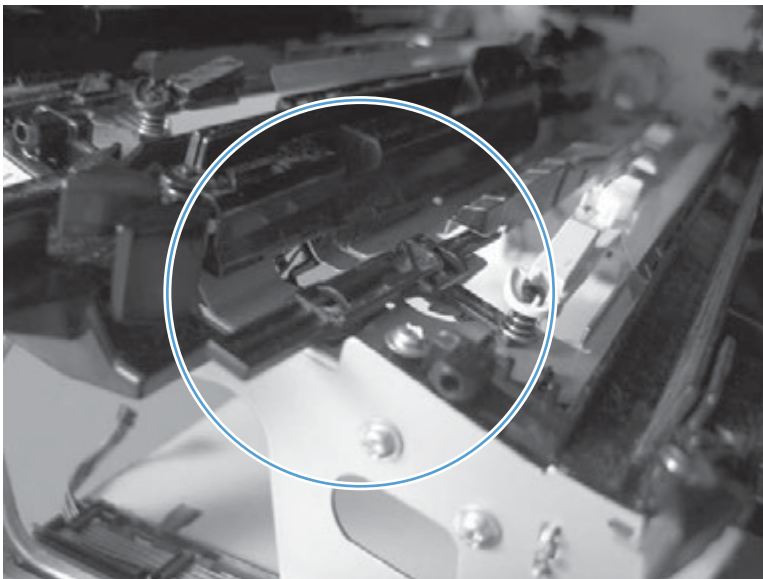
4. Place the end of the actuator into the PGC rod, and then use a small flat blade screw driver to fasten the end of the spring on the tab on the chassis.

**Figure 1-259** Reinstall the PGC actuators (4 of 5)



5. Push down on the actuator to seat it into place. Verify that the actuators is correctly installed. The PGC actuator should freely move when you push in on the actuator.

**Figure 1-260** Reinstall the PGC actuators (5 of 5)



## High-voltage power supply upper

### Before proceeding, remove the following components:

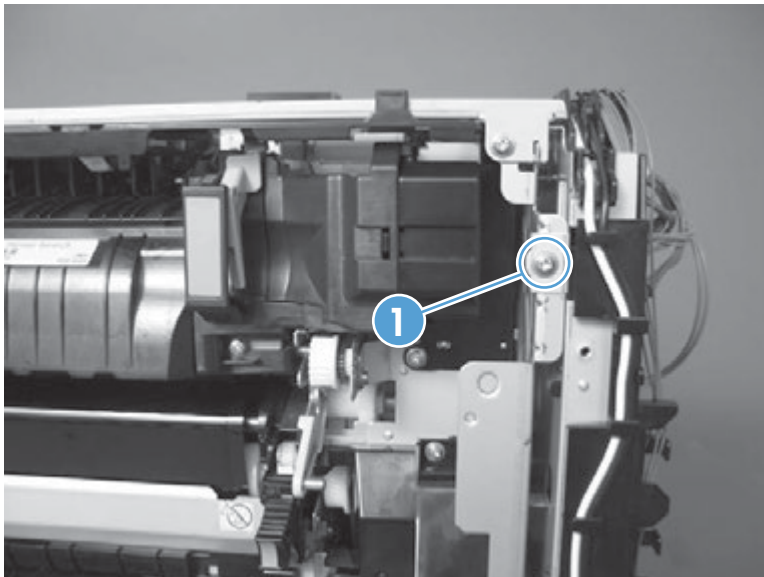
- Toner-collection unit. See [Toner-collection unit on page 15](#).
- Formatter PCA. See [Formatter PCA on page 17](#).
- Right-rear cover. See [Right-rear cover on page 59](#).
- Left cover. See [Left cover on page 61](#).
- Rear-upper cover. See [Rear-upper cover on page 64](#).
- Rear cover. See [Rear cover on page 67](#).
- Interconnect board (ICB). See [Interconnect board \(ICB\) on page 108](#).
- DC controller. See [DC controller PCA and tray on page 110](#).
- Low-voltage power supply (LVPS). See [Low-voltage power supply \(LVPS\) on page 113](#).

### Remove the high-voltage power supply upper


**CAUTION:**  ESD-sensitive part.

1. Remove one screw (callout 1).

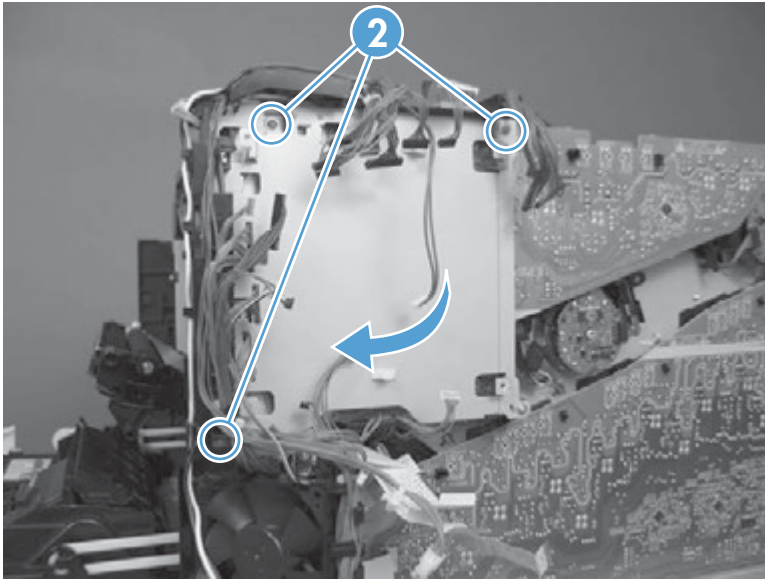
**Figure 1-261** Remove the high-voltage power supply upper (1 of 5)




2. Remove four screws (callout 2), and then rotate the sheet-metal plate away from the power supply.

 **NOTE:** You do not need to completely remove the sheet-metal plate to access the power supply.

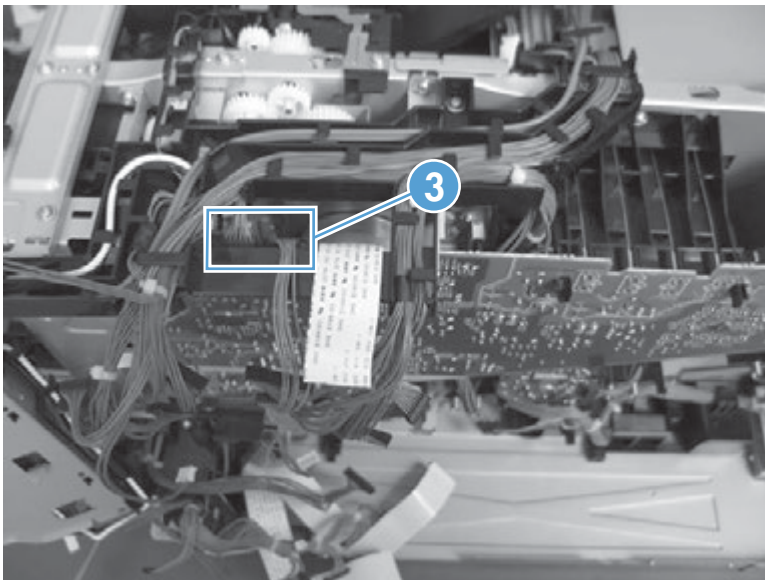
**Figure 1-262** Remove the high-voltage power supply upper (2 of 5)



3. Disconnect two connectors (J201, J202; callout 3) from the back side of the power supply.

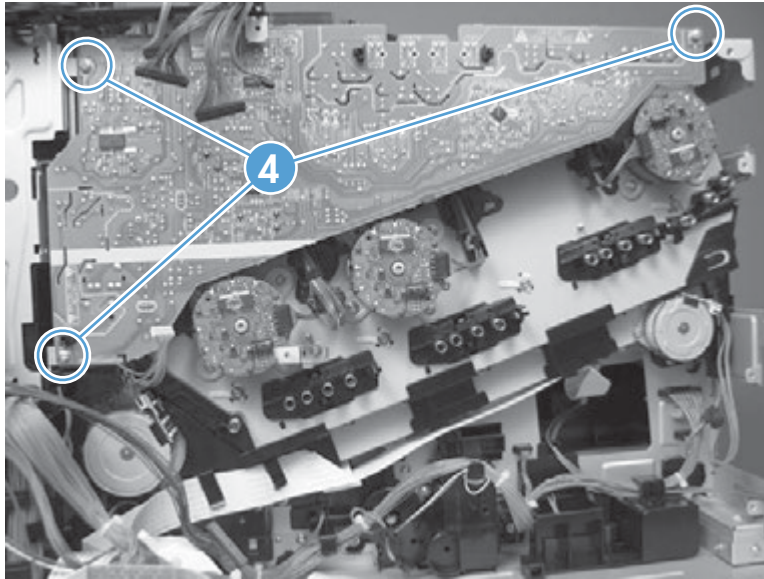
 **NOTE:** For clarity, the figure in this step shows the ADF and scanner removed. Carefully reach under these components to access the two connectors.

**Figure 1-263** Remove the high-voltage power supply upper (3 of 5)



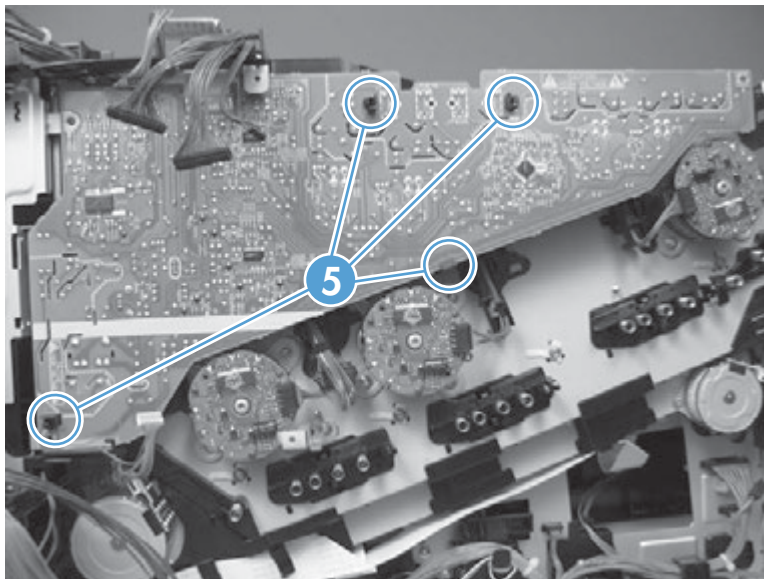
4. Remove three screws (callout 4).

**Figure 1-264** Remove the high-voltage power supply upper (4 of 5)




5. Release four tabs (callout 5), and then remove the power supply.

**Figure 1-265** Remove the high-voltage power supply upper (5 of 5)



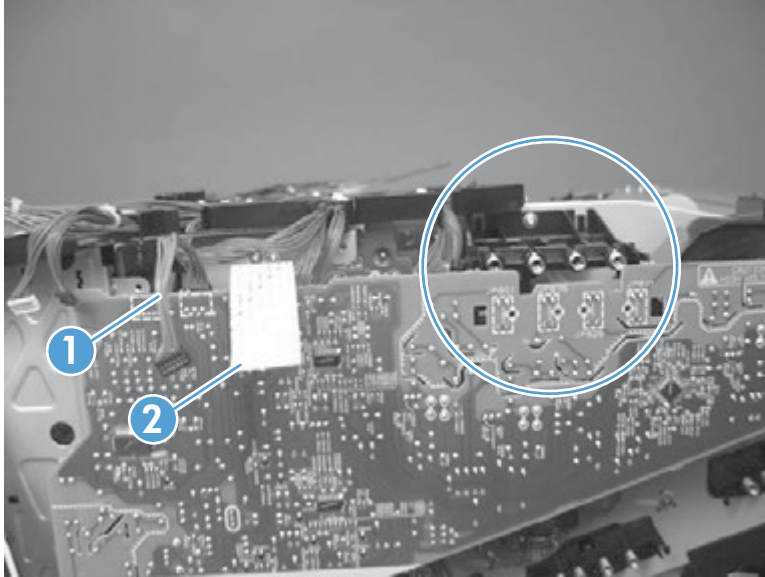
### Reinstall the high-voltage power supply upper

When you reinstall the power supply, look through the holes in the PCA and make sure that the high-voltage contact springs are correctly seated against the PCA.

 **NOTE:** One wire harness (callout 1) is disconnected at both ends. Do not lose the wire harness.

Position the FFC (callout 2) over the cable guide when you reinstall the power supply.

**Figure 1-266** Reinstall the high-voltage power supply upper



## Drum motor 1

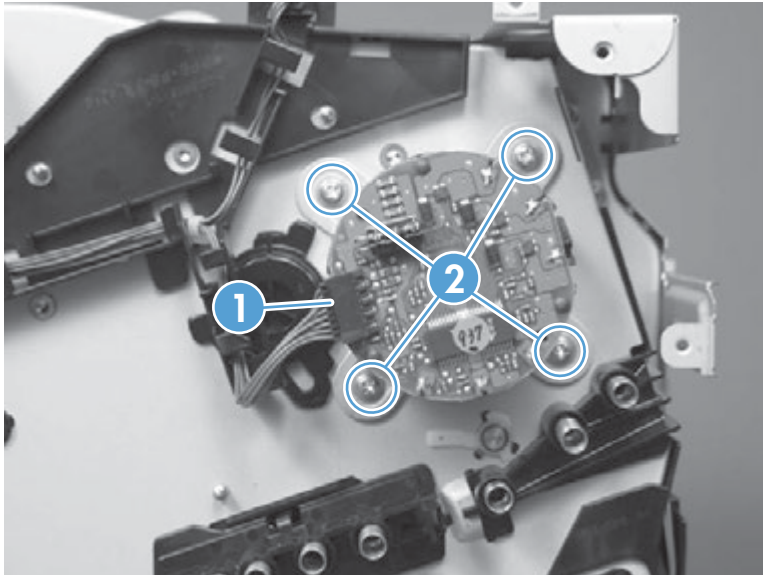
### Before proceeding, remove the following components:

- Toner-collection unit. See [Toner-collection unit on page 15](#).
- Right-rear cover. See [Right-rear cover on page 59](#).
- Left cover. See [Left cover on page 61](#).
- Rear-upper cover. See [Rear-upper cover on page 64](#).
- Rear cover. See [Rear cover on page 67](#).
- Interconnect board (ICB). See [Interconnect board \(ICB\) on page 108](#).
- DC controller. See [DC controller PCA and tray on page 110](#).
- Low-voltage power supply (LVPS). See [Low-voltage power supply \(LVPS\) on page 113](#).
- High-voltage power supply upper. See [High-voltage power supply upper on page 181](#).

### Remove the drum motor 1

- ▲ Disconnect one connector (callout 1), remove four screws (callout 2), and then remove the motor.

**Figure 1-267** Remove the drum motor 1



## Drum motor 2 or drum motor 3

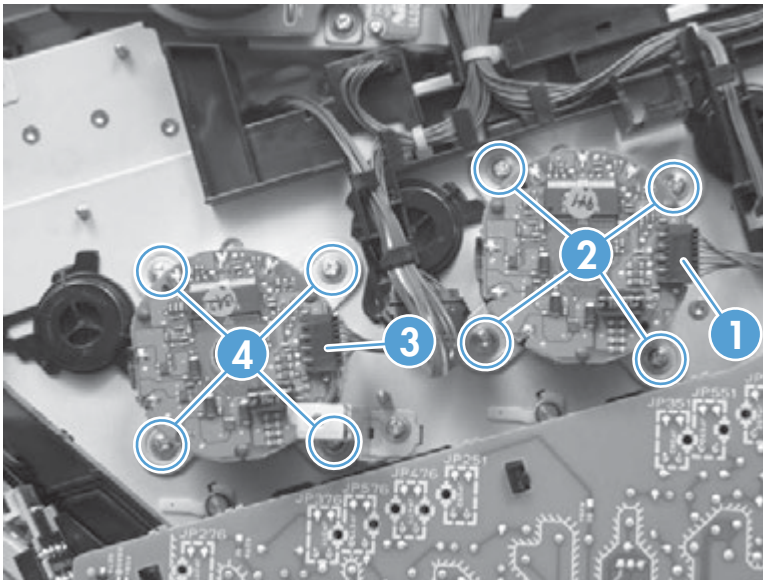
### Before proceeding, remove the following components:

- Toner-collection unit. See [Toner-collection unit on page 15](#).
- Right-rear cover. See [Right-rear cover on page 59](#).
- Left cover. See [Left cover on page 61](#).
- Rear-upper cover. See [Rear-upper cover on page 64](#).
- Rear cover. See [Rear cover on page 67](#).
- Interconnect board (ICB). See [Interconnect board \(ICB\) on page 108](#).
- DC controller. See [DC controller PCA and tray on page 110](#).
- Low-voltage power supply (LVPS). See [Low-voltage power supply \(LVPS\) on page 113](#).
- High-voltage power supply upper. See [High-voltage power supply upper on page 181](#).

### Remove the drum motor 2 or drum motor 3

- ▲ Do one of the following:
  - Remove drum motor 2: Disconnect one connector (callout 1), remove four screws (callout 2), and then remove the motor.
  - Remove drum motor 3: Disconnect one connector (callout 3), remove four screws (callout 4), and then remove the motor.

**Figure 1-268** Remove the drum motor 2 or drum motor 3



## Fuser motor

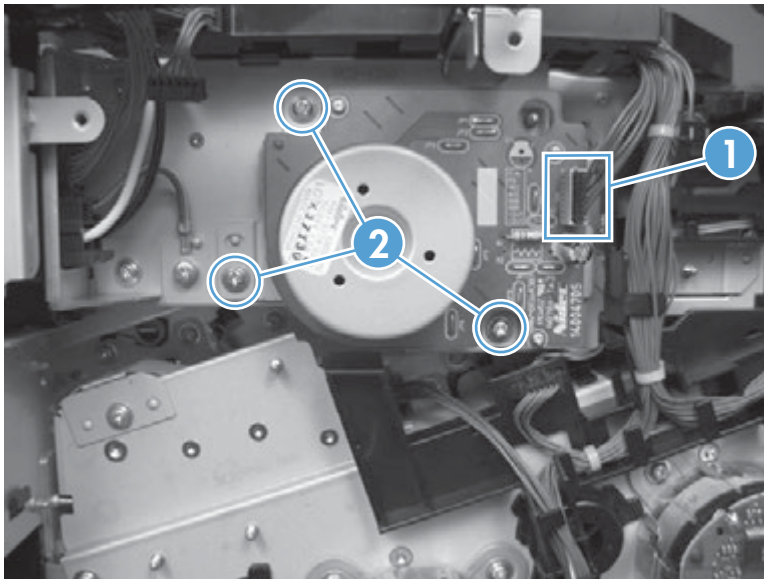
### Before proceeding, remove the following components:

- Toner-collection unit. See [Toner-collection unit on page 15](#).
- Formatter PCA. See [Formatter PCA on page 17](#).
- Right-rear cover. See [Right-rear cover on page 59](#).
- Left cover. See [Left cover on page 61](#).
- Rear-upper cover. See [Rear-upper cover on page 64](#).
- Rear cover. See [Rear cover on page 67](#).
- Interconnect board (ICB). See [Interconnect board \(ICB\) on page 108](#).
- DC controller. See [DC controller PCA and tray on page 110](#).
- Low-voltage power supply (LVPS). See [Low-voltage power supply \(LVPS\) on page 113](#).
- High-voltage power supply upper. See [High-voltage power supply upper on page 181](#).

### Remove the fuser motor

Disconnect one connector (callout 1), remove three screws (callout 2), and then remove the motor.

**Figure 1-269** Remove the fuser motor



## Main-drive assembly

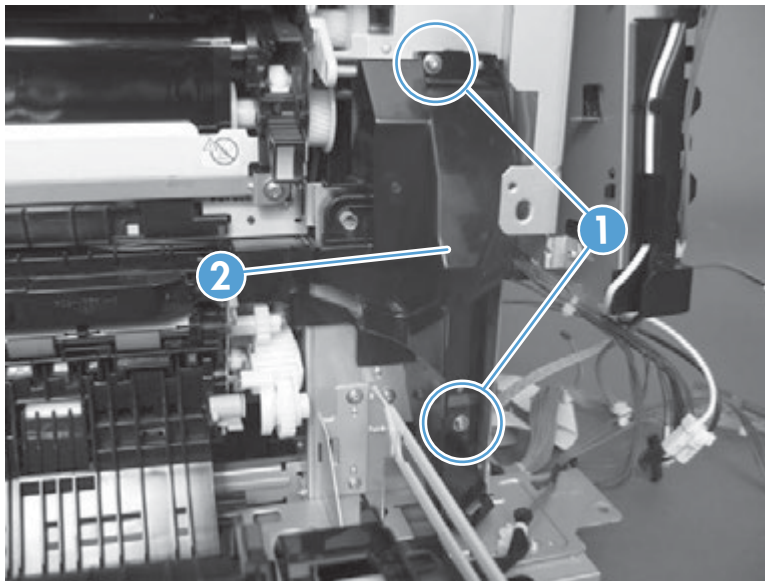
### Before proceeding, remove the following components:

- Toner-collection unit. See [Toner-collection unit on page 15](#).
- Formatter PCA. See [Formatter PCA on page 17](#).
- Fuser. See [Fuser on page 24](#).
- Intermediate transfer belt (ITB). See [Intermediate transfer belt \(ITB\) on page 34](#).
- Right-rear cover. See [Right-rear cover on page 59](#).
- Left cover. See [Left cover on page 61](#).
- Rear-upper cover. See [Rear-upper cover on page 64](#).
- Rear cover. See [Rear cover on page 67](#).
- Interconnect board (ICB). See [Interconnect board \(ICB\) on page 108](#).
- DC controller. See [DC controller PCA and tray on page 110](#).
- Low-voltage power supply (LVPS). See [Low-voltage power supply \(LVPS\) on page 113](#).
- Secondary transfer assembly. See [Secondary transfer assembly on page 131](#).
- Power-supply fan and fan duct. See [Power-supply fan and fan duct on page 141](#).
- High-voltage power supply lower. See [High-voltage power supply lower on page 149](#).
- High-voltage power supply upper. See [High-voltage power supply upper on page 181](#).

## Remove the main-drive assembly

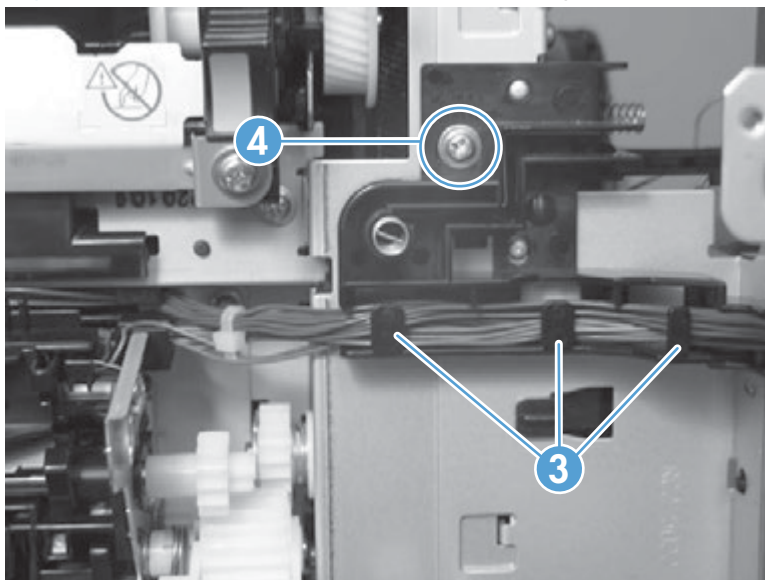
1. Remove two screws (callout 1), and then remove the cover (callout 2).

**Figure 1-270** Remove the main-drive assembly (1 of 7)



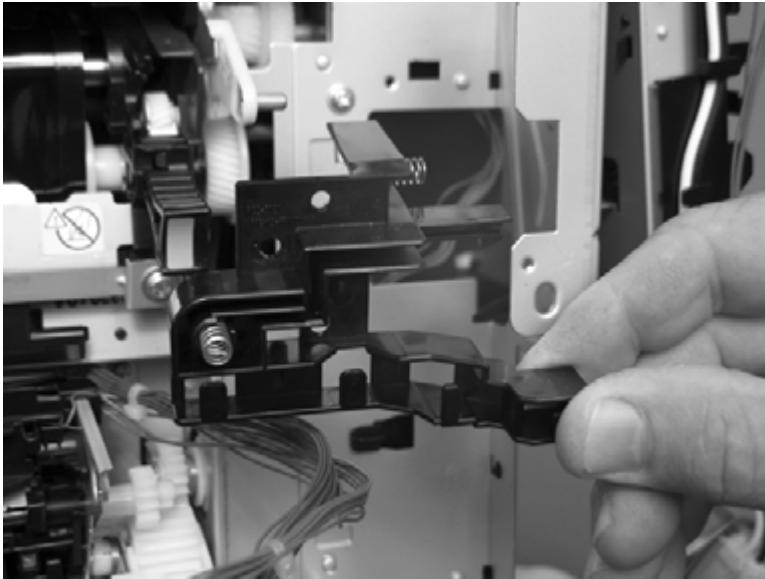
2. Release the wire harnesses from the guide (callout 3), and then remove one screw (callout 4).

**Figure 1-271** Remove the main-drive assembly (2 of 7)



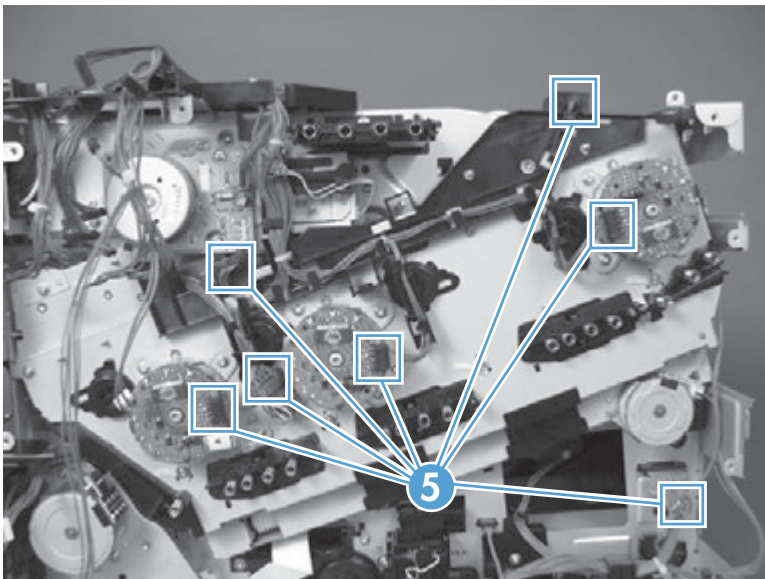
3. Lift the high-voltage bracket up to release it, and then remove the bracket.

**Figure 1-272** Remove the main-drive assembly (3 of 7)



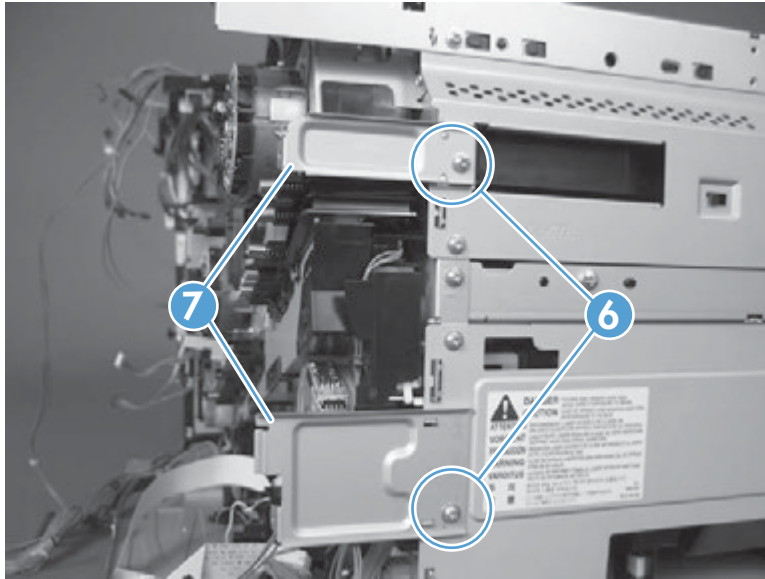
4. Disconnect seven connectors (callout 5), and then release the wire harnesses from the guides.

**Figure 1-273** Remove the main-drive assembly (4 of 7)



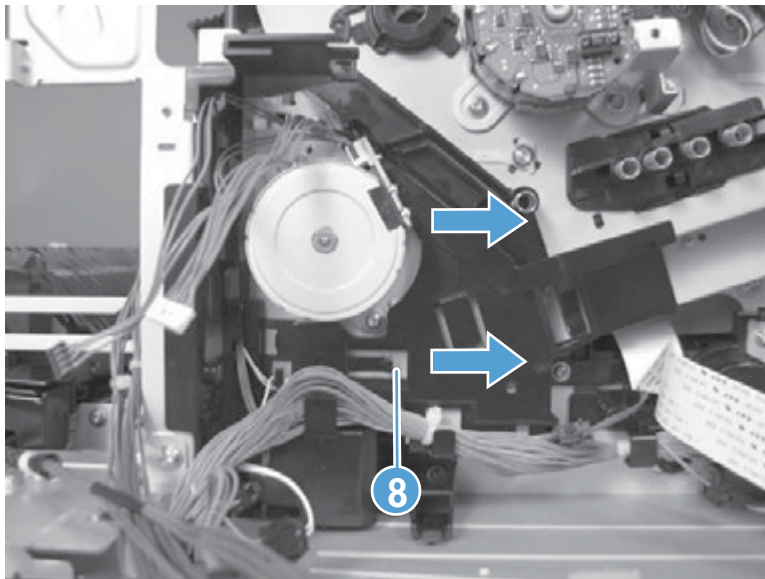
5. Remove two screws (callout 6), and then remove the sheet-metal plates (callout 7).

**Figure 1-274** Remove the main-drive assembly (5 of 7)



6. Release the FFCs and lower wiring harness from the guide, and then release one tab (callout 8) and remove the guide.

**Figure 1-275** Remove the main-drive assembly (6 of 7)

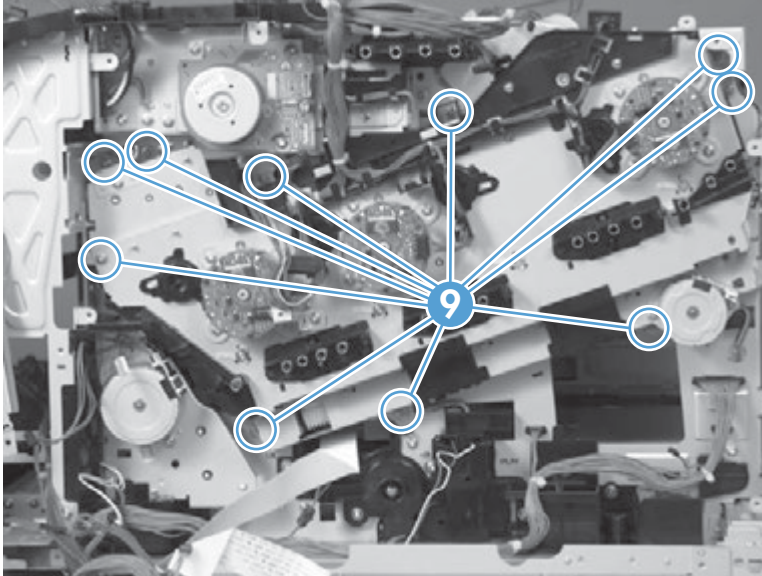


7. Remove ten screws (callout 9), and then carefully remove the assembly.

**⚠ CAUTION:** Be careful when you remove the assembly. The cams on the backside of the assembly can be dislodged. If the cams become dislodged, install them on the shafts as shown in [Figure 1-278 Reinstall the main-drive assembly \(2 of 11\) on page 193](#).

The black cam must be installed on the shaft furthest away from the developing-disengagement motor. The white cams are interchangeable.

**Figure 1-276** Remove the main-drive assembly (7 of 7)



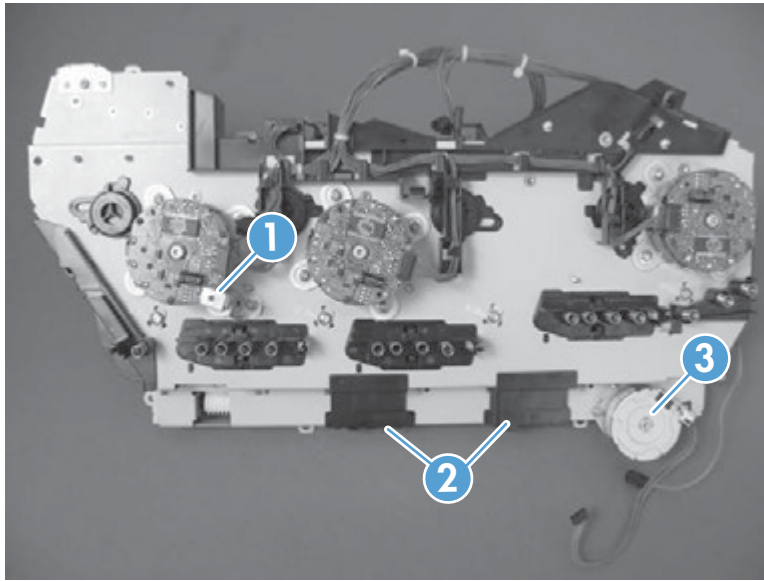
## Reinstall the main-drive assembly

1. Remove the bracket (callout 1), two guides (callout 2), and the developing-disengagement motor (callout 3).

Install the bracket and guides on the replacement main-drive assembly.

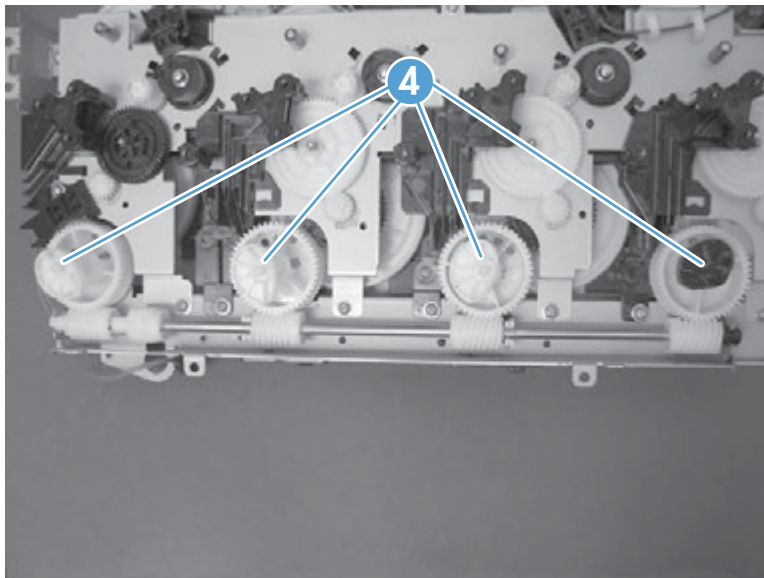
 **NOTE:** Do not install the developing-disengagement motor on the assembly (this motor must be removed from the assembly to align the main-drive cams).

**Figure 1-277** Reinstall the main-drive assembly (1 of 11)



2. Locate the cams (callout 4) on the back side of the assembly.

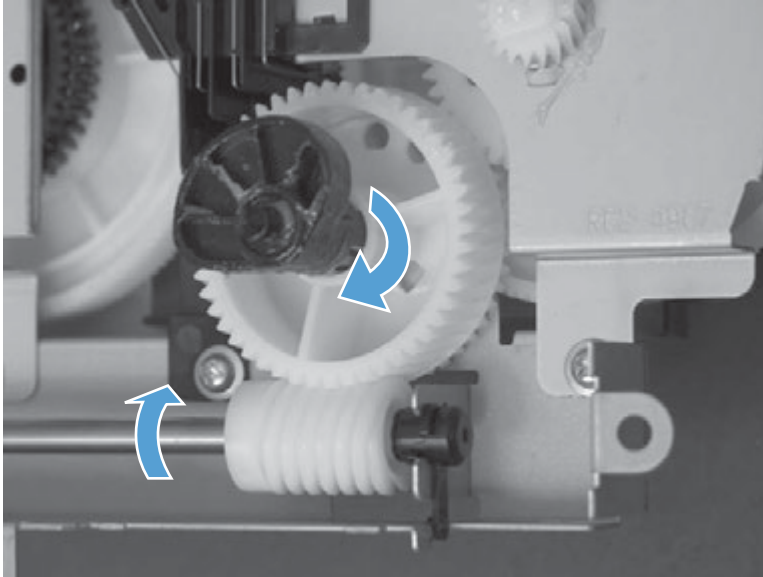
**Figure 1-278** Reinstall the main-drive assembly (2 of 11)



3. Slowly rotate the shaft near the black cam.

**⚠ WARNING!** Do not touch the plastic gears or cams. You must not wipe away any of the grease that is applied to these components. Always rotate the gears and cams by rotating the metal drive shaft.

**Figure 1-279** Reinstall the main-drive assembly (3 of 11)

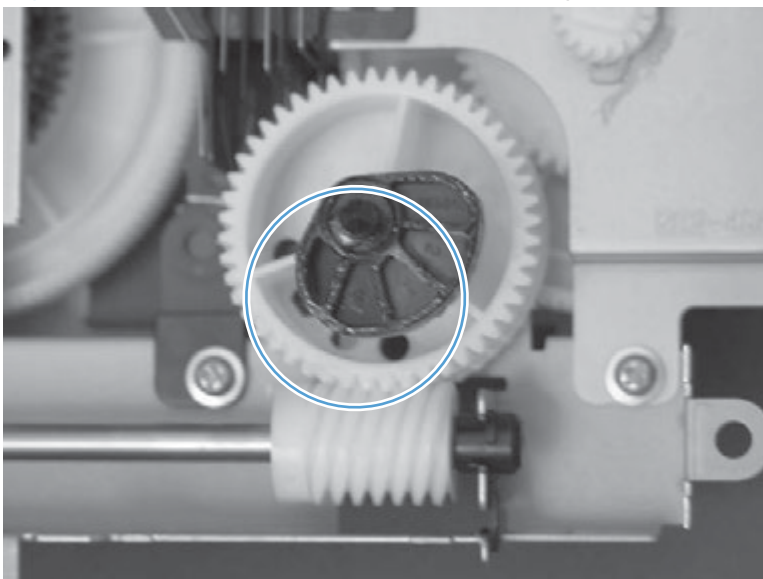


4. Continue to rotate the shaft until the holes in the black-cam gear align as shown below.


When correctly aligned, the *bottom-most* hole in the gear is aligned with a hole in the sheet-metal chassis.

**📝 NOTE:** The holes in the other cam gears have a different alignment. You must make sure that the holes in the black-cam gear are correctly aligned.

**Figure 1-280** Reinstall the main-drive assembly (4 of 11)



5. Verify that the cams (callout 5) align correctly.

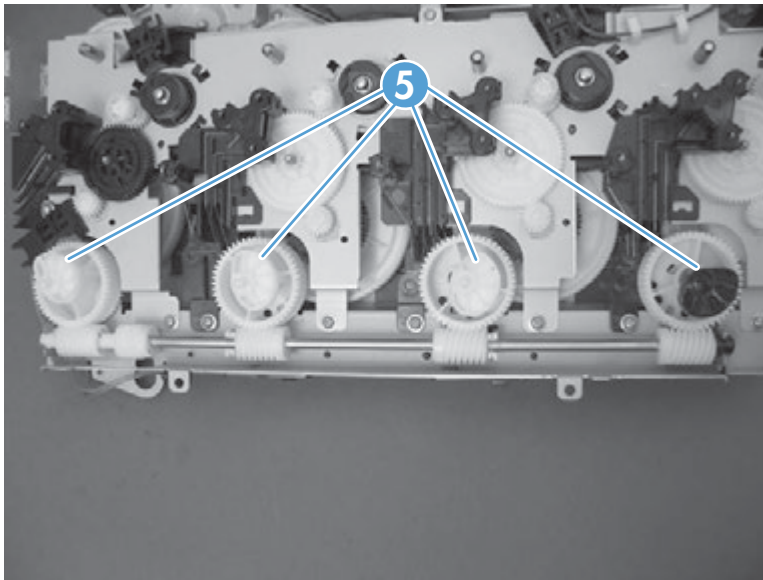
 **TIP:** The second cam in from the right (the white cam to the left of the black cam), should have the *second* hole aligned with the hole in the sheet-metal chassis.

The third cam in from the right, should have the *third* hole aligned with the hole in the sheet-metal chassis.

The fourth cam in from the right (the cam nearest the developing-disengagement motor), should have the *fourth* hole aligned with the hole in the sheet-metal chassis.

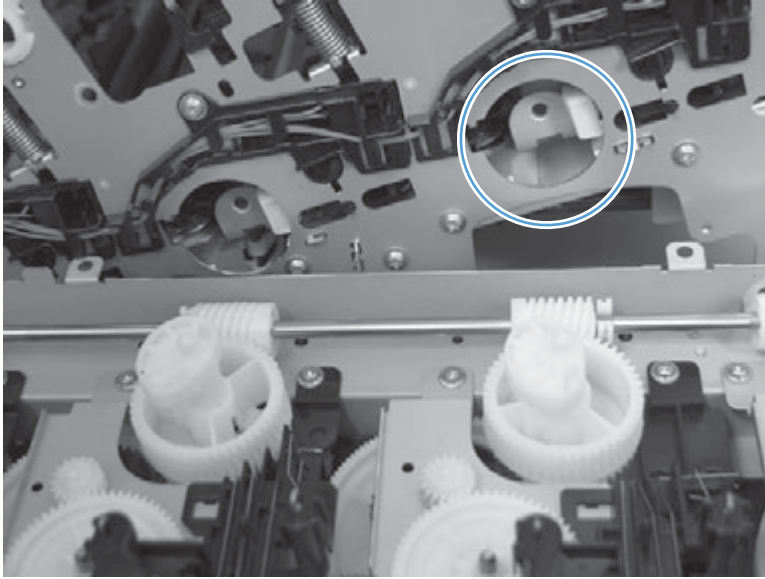
If the second, third, or fourth cams do not correctly align, do the following. Hold the long drive shaft, gently tilt the cam and gear away from the shaft to allow clearance to rotate the gear until the correct hole in the gear aligns with the hole in the chassis.

**Figure 1-281** Reinstall the main-drive assembly (5 of 11)



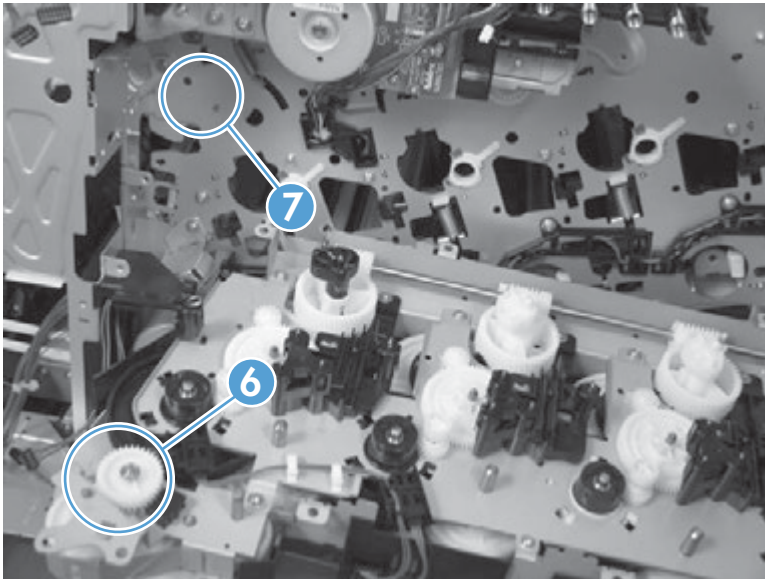
6. When the cams align correctly, they easily fit into the holes in the chassis.

**Figure 1-282** Reinstall the main-drive assembly (6 of 11)



7. When the assembly is placed on the chassis, the pin on the swing gear and on the bracket (callout 6), must align with the holes in the chassis (callout 7).

**Figure 1-283** Reinstall the main-drive assembly (7 of 11)



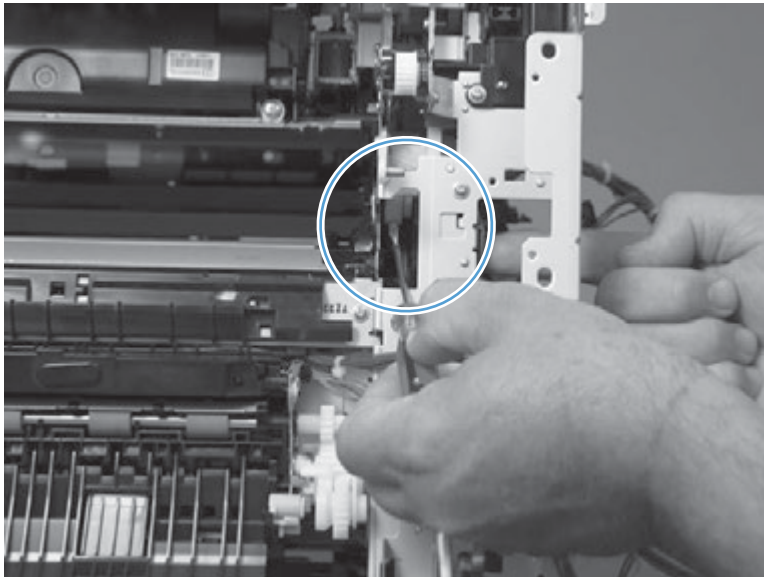
8. Position the assembly on the chassis.

**Figure 1-284** Reinstall the main-drive assembly (8 of 11)



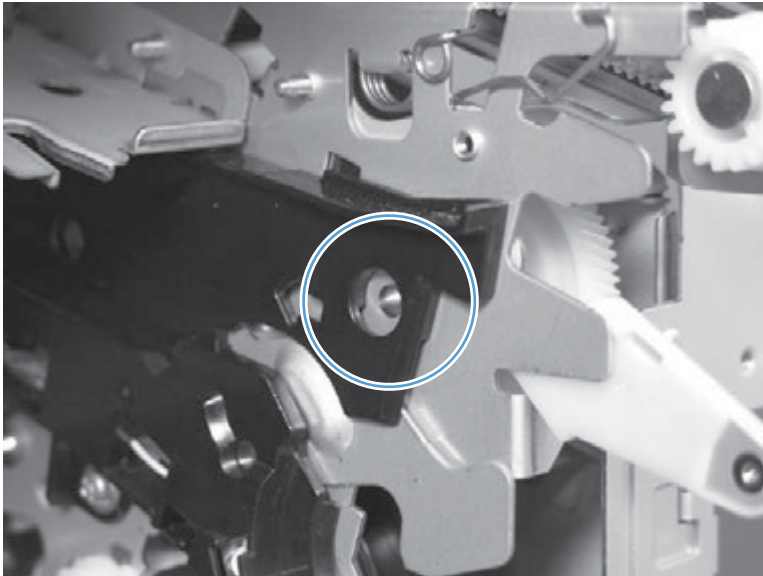
9. Use your finger to push in on the assembly, and use a small flat blade screwdriver to align the pin on the swing gear with the hole in the chassis.

**Figure 1-285** Reinstall the main-drive assembly (9 of 11)



10. When the assembly is correctly installed against the chassis, the pin above the swing gear protrudes through the hole in the chassis.

**Figure 1-286** Reinstall the main-drive assembly (10 of 11)

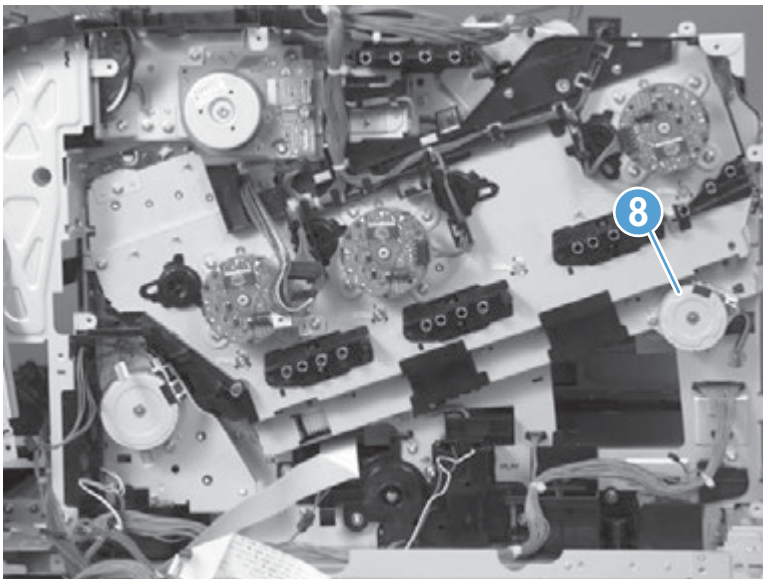


11. Install the main-drive assembly mounting screws, and then reinstall the developing-disengagement motor (callout 8).

 **TIP:** After reassembling the product, print a [Color Band Test](#) page.

If the test page shows one or more color planes are not printing (usually in the upper left corner of the page), the cam or cams for the missing color plane are not correctly aligned. Repeat the reinstall the main-drive assembly procedure.

**Figure 1-287** Reinstall the main-drive assembly (11 of 11)



## Fuser-drive assembly

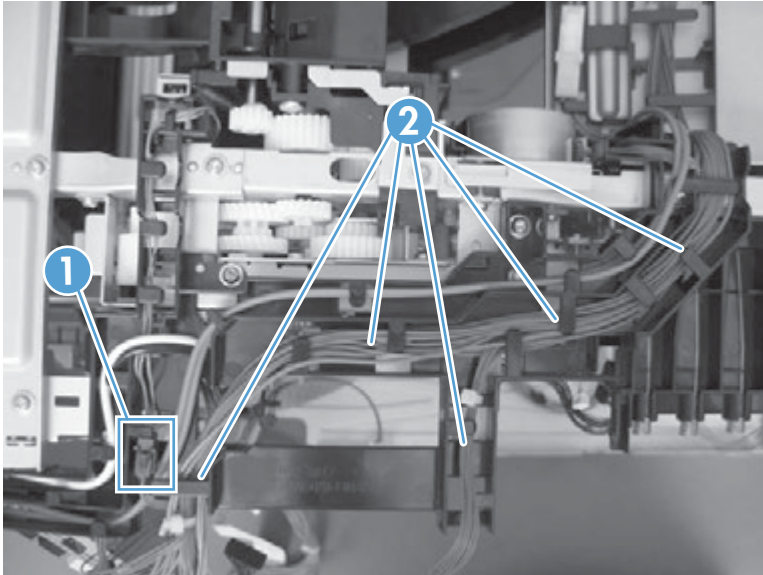
### Before proceeding, remove the following components:

- Toner-collection unit. See [Toner-collection unit on page 15](#).
- Formatter PCA. See [Formatter PCA on page 17](#).
- Fuser. See [Fuser on page 24](#).
- Intermediate transfer belt (ITB). See [Intermediate transfer belt \(ITB\) on page 34](#).
- Front-upper cover. See [Front-upper cover on page 52](#).
- Stapler cover. See [Stapler cover on page 54](#).
- Right-rear cover. See [Right-rear cover on page 59](#).
- Left-upper cover. See [Left-upper cover on page 66](#).
- Rear-upper cover. See [Rear-upper cover on page 64](#).
- Left-upper cover. See [Left-upper cover on page 66](#).
- Rear cover. See [Rear cover on page 67](#).
- Front-top cover. See [Front-top cover on page 79](#).
- Rear-top cover. See [Rear-top cover on page 81](#).
- ADF whole unit kit. See [ADF whole unit kit on page 97](#).
- Scanner-control board (SCB). See [Scanner-control board \(SCB\) on page 101](#).
- Image scanner whole unit kit. See [Image scanner whole unit kit on page 103](#).
- Interconnect board (ICB). See [Interconnect board \(ICB\) on page 108](#).
- DC controller. See [DC controller PCA and tray on page 110](#).
- Low-voltage power supply (LVPS). See [Low-voltage power supply \(LVPS\) on page 113](#).
- Secondary transfer assembly. See [Secondary transfer assembly on page 131](#).
- Power-supply fan and fan duct. See [Power-supply fan and fan duct on page 141](#).
- High-voltage power supply lower. See [High-voltage power supply lower on page 149](#).
- High-voltage power supply upper. See [High-voltage power supply upper on page 181](#).
- Main-drive assembly. See [Main-drive assembly on page 188](#).

## Remove the fuser-drive assembly

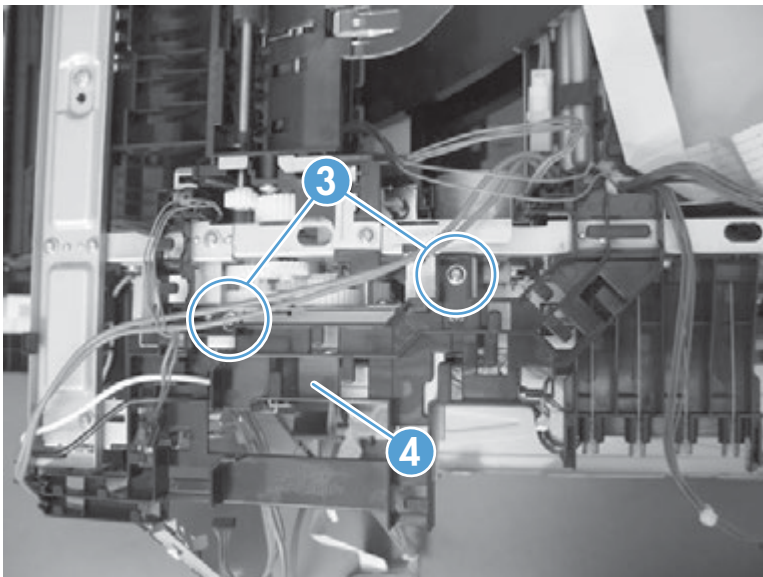
1. Disconnect one connector (callout 1), and then release the wire harnesses from the guide (callout 2).

**Figure 1-288** Remove the fuser-drive assembly (1 of 6)



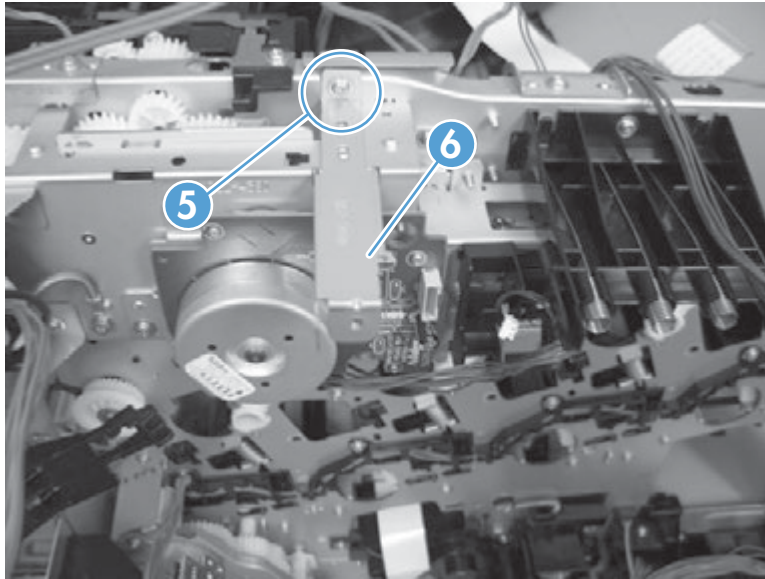
2. Remove two screws (callout 3), and then remove the guide (callout 4).

**Figure 1-289** Remove the fuser-drive assembly (2 of 6)



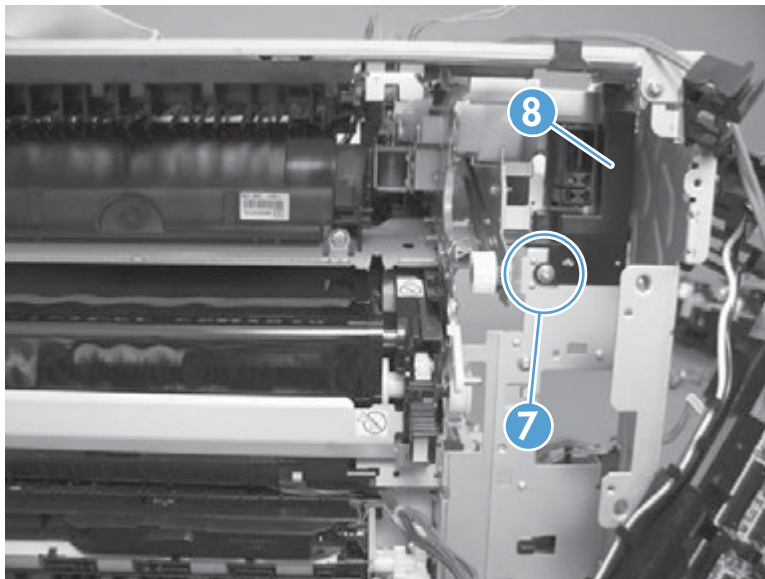
3. Remove one screw (callout 5), and then remove the sheet-metal plate (callout 6).

**Figure 1-290** Remove the fuser-drive assembly (3 of 6)



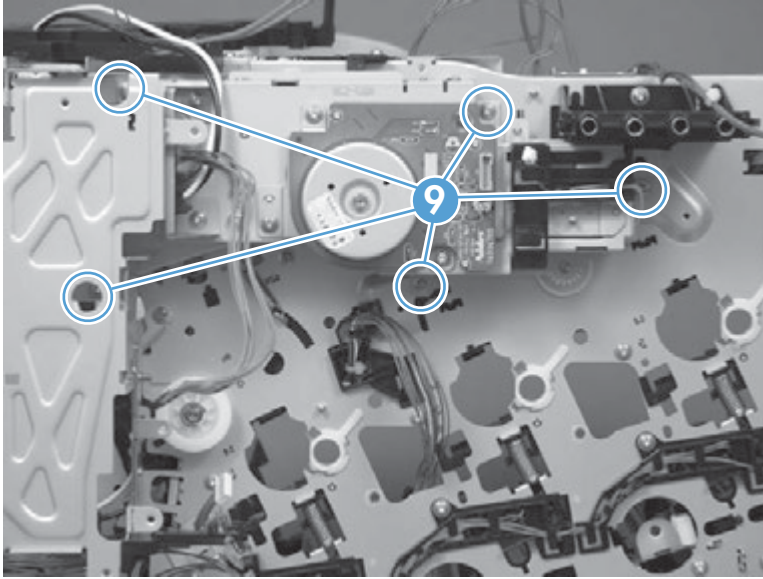
4. Remove one screw (callout 7), and then remove the cover (callout 8).

**Figure 1-291** Remove the fuser-drive assembly (4 of 6)



5. Remove five screws (callout 9).

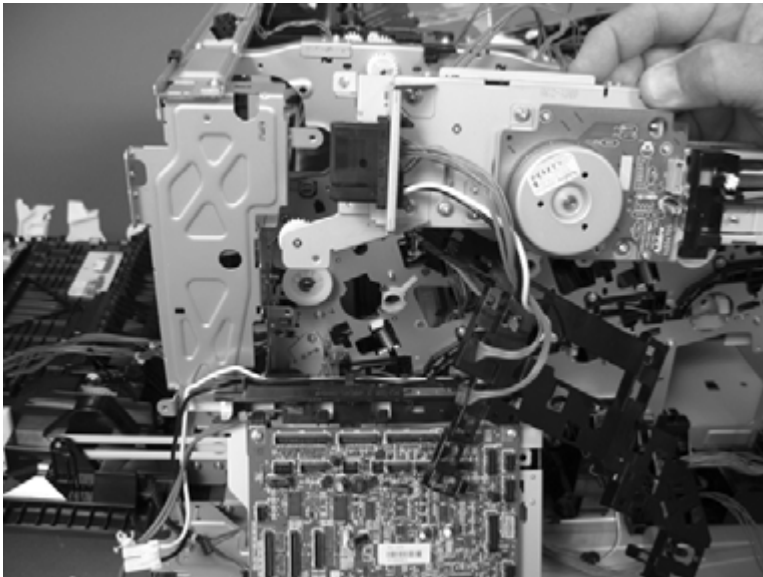
**Figure 1-292** Remove the fuser-drive assembly (5 of 6)



6. Carefully remove the assembly.

**CAUTION:** A gear on the assembly is not captive. Do not lose the gear when you remove the assembly. If the gear becomes dislodged, see [Reinstall the fuser-drive assembly on page 203](#).

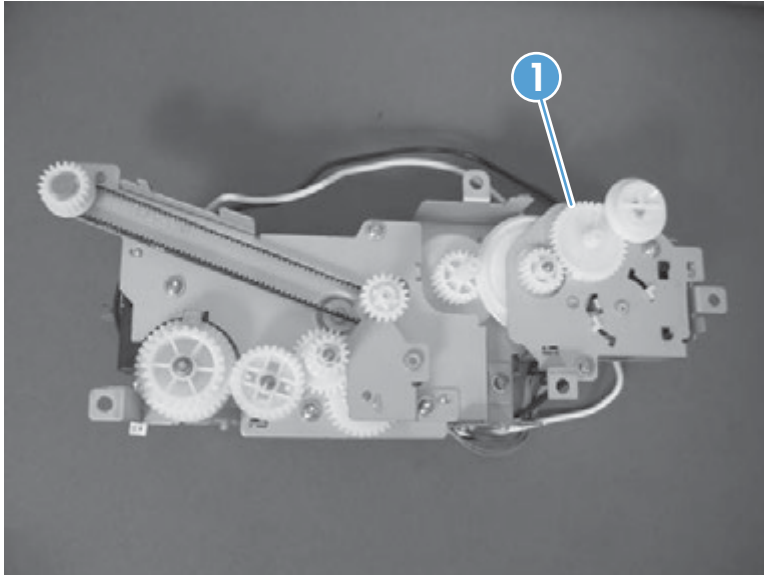
**Figure 1-293** Remove the fuser-drive assembly (6 of 6)



## Reinstall the fuser-drive assembly

If the gear (callout 1) is dislodged when the assembly is removed, use the figure below to correctly install it on the assembly.

**Figure 1-294** Reinstall the fuser-drive assembly



## Delivery assembly

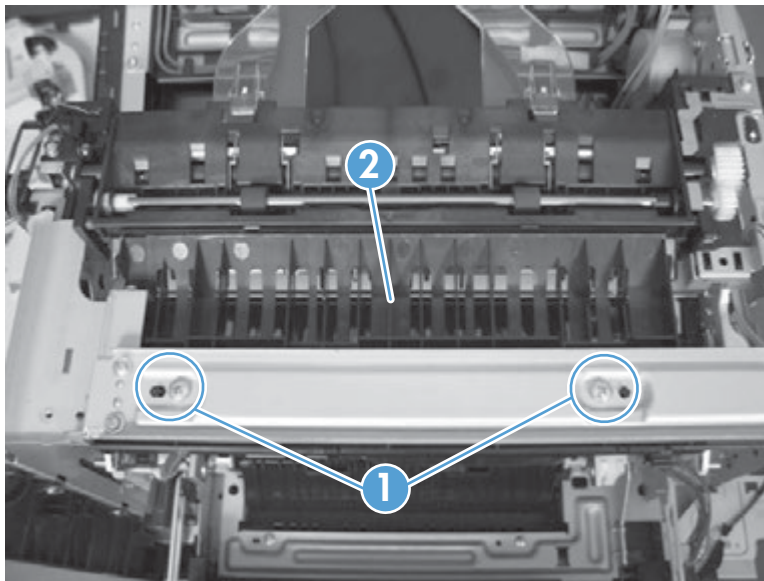
### Before proceeding, remove the following components:

- Toner-collection unit. See [Toner-collection unit on page 15](#).
- Formatter PCA. See [Formatter PCA on page 17](#).
- Fuser. See [Fuser on page 24](#).
- Intermediate transfer belt (ITB). See [Intermediate transfer belt \(ITB\) on page 34](#).
- Front-upper cover. See [Front-upper cover on page 52](#).
- Left-upper cover. See [Left-upper cover on page 66](#).
- Right-rear cover. See [Right-rear cover on page 59](#).
- Left cover. See [Left cover on page 61](#).
- Stapler cover. See [Stapler cover on page 54](#).
- Rear-upper cover. See [Rear-upper cover on page 64](#).
- Rear cover. See [Rear cover on page 67](#).
- Front-top cover. See [Front-top cover on page 79](#).
- Rear-top cover. See [Rear-top cover on page 81](#).
- ADF whole unit kit. See [ADF whole unit kit on page 97](#).
- Scanner-control board (SCB). See [Scanner-control board \(SCB\) on page 101](#).
- Image scanner whole unit kit. See [Image scanner whole unit kit on page 103](#).
- Interconnect board (ICB). See [Interconnect board \(ICB\) on page 108](#).
- DC controller. See [DC controller PCA and tray on page 110](#).
- Low-voltage power supply (LVPS). See [Low-voltage power supply \(LVPS\) on page 113](#).
- Secondary transfer assembly. See [Secondary transfer assembly on page 131](#).
- Power-supply fan and fan duct. See [Power-supply fan and fan duct on page 141](#).
- High-voltage power supply lower. See [High-voltage power supply lower on page 149](#).
- High-voltage power supply upper. See [High-voltage power supply upper on page 181](#).
- Main-drive assembly. See [Main-drive assembly on page 188](#).
- Fuser-drive assembly. See [Fuser-drive assembly on page 199](#).

## Remove the delivery assembly

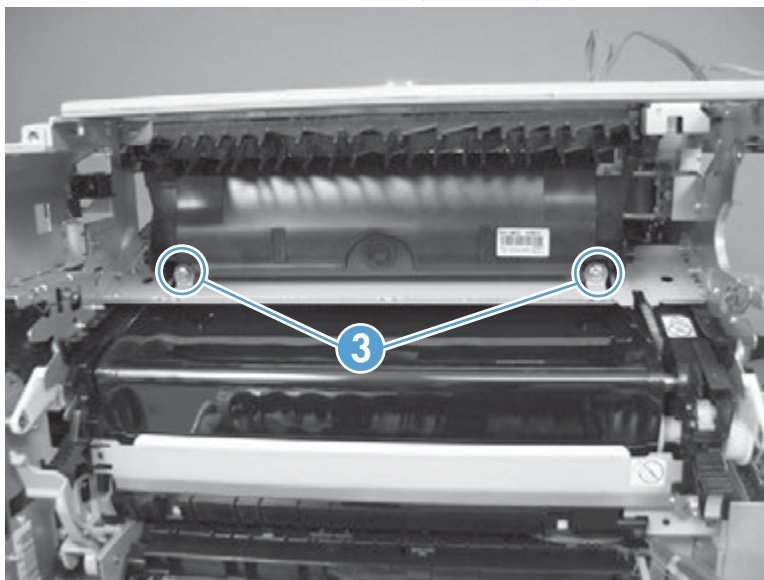
1. Remove two screws (callout 1), and then remove the guide (callout 2).

**Figure 1-295** Remove the delivery assembly (1 of 5)



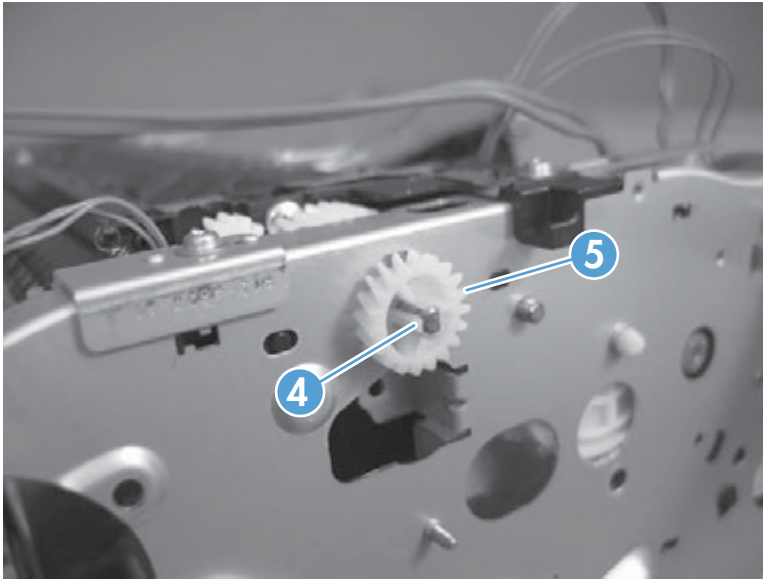
2. Remove two screws (callout 3).

**Figure 1-296** Remove the delivery assembly (2 of 5)



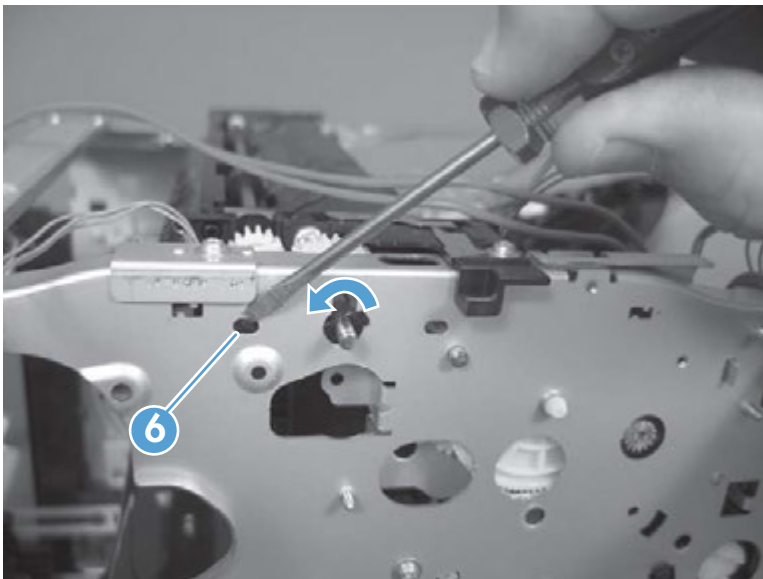
3. Release one tab (callout 4), and then remove the gear (callout 5).

**Figure 1-297** Remove the delivery assembly (3 of 5)



4. Release one tab (callout 6), and then rotate the locking clip until the tab on the clip aligns with the slot in the chassis.

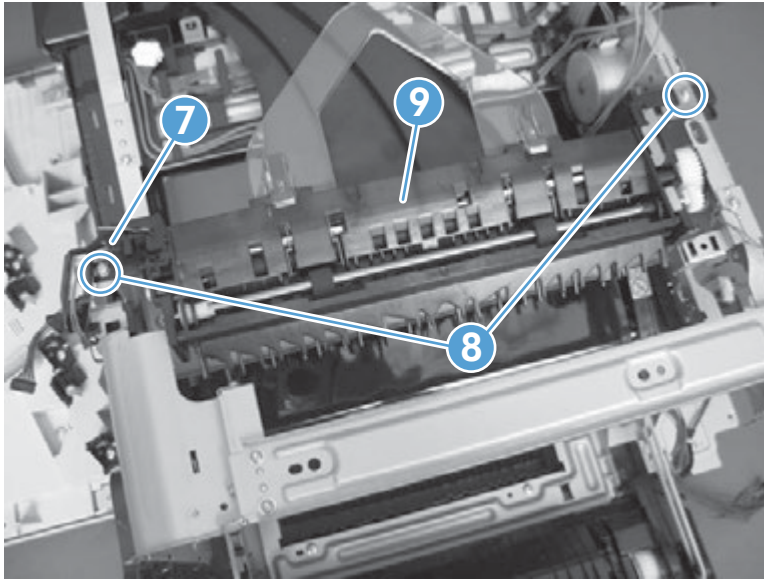
**Figure 1-298** Remove the delivery assembly (4 of 5)



5. Disconnect one connector (callout 7), remove two screws (callout 8), and then carefully lift the assembly (callout 9) off of the product to remove it.

**⚠ CAUTION:** A solenoid arm (on the right side) and a spring (on the left side) on the assembly are not captive. Do not lose the solenoid arm or spring when you remove the assembly. If the solenoid arm or spring become dislodged, see [Reinstall the delivery assembly on page 208](#).

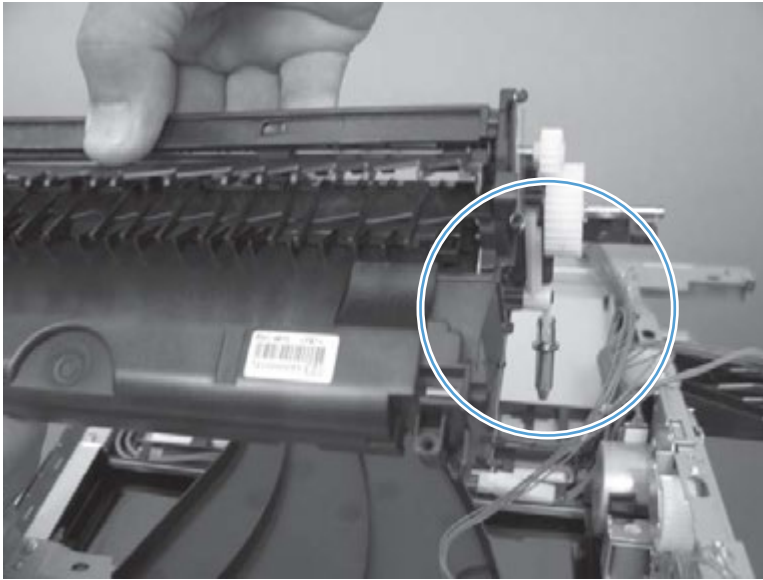
**Figure 1-299** Remove the delivery assembly (5 of 5)



## Reinstall the delivery assembly

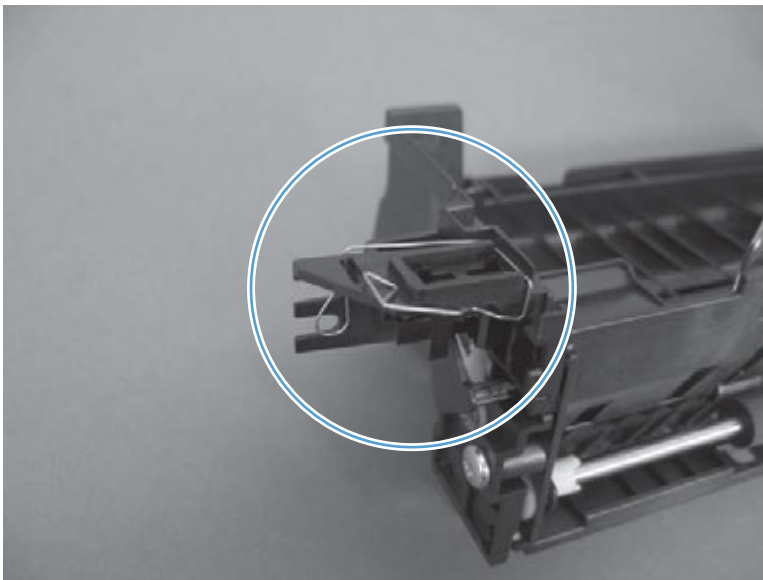
1. Make sure that the solenoid arm is correctly installed on the assembly.

**Figure 1-300** Reinstall the delivery assembly (1 of 2)



2. Make sure that the spring is correctly installed on the assembly.

**Figure 1-301** Reinstall the delivery assembly (2 of 2)



## Duplex-drive assembly

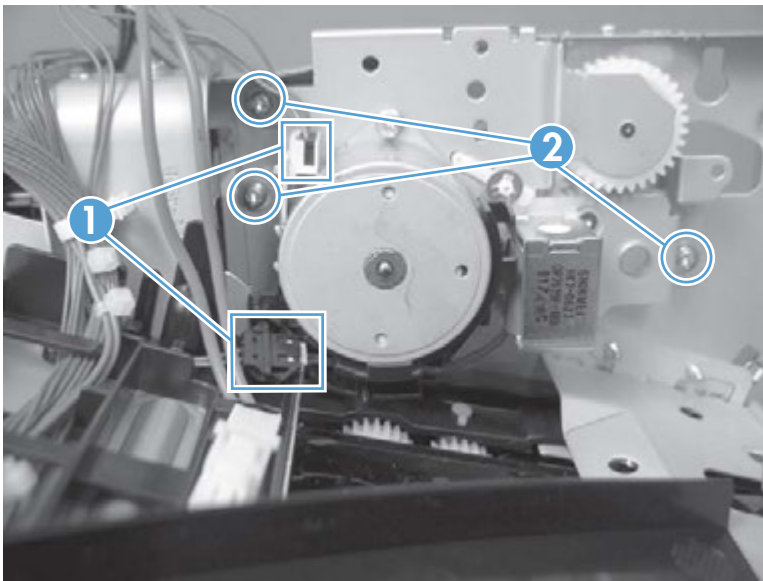
### Before proceeding, remove the following components:

- Toner-collection unit. See [Toner-collection unit on page 15](#).
- Formatter PCA. See [Formatter PCA on page 17](#).
- Fuser. See [Fuser on page 24](#).
- Intermediate transfer belt (ITB). See [Intermediate transfer belt \(ITB\) on page 34](#).
- Front-upper cover. See [Front-upper cover on page 52](#).
- Stapler cover. See [Stapler cover on page 54](#).
- Right-rear cover. See [Right-rear cover on page 59](#).
- Left cover. See [Left cover on page 61](#).
- Rear-upper cover. See [Rear-upper cover on page 64](#).
- Left-upper cover. See [Left-upper cover on page 66](#).
- Rear cover. See [Rear cover on page 67](#).
- Front-top cover. See [Front-top cover on page 79](#).
- Rear-top cover. See [Rear-top cover on page 81](#).
- ADF whole unit kit. See [ADF whole unit kit on page 97](#).
- Scanner-control board (SCB). See [Scanner-control board \(SCB\) on page 101](#).
- Scanner-control board (SCB). See [Scanner-control board \(SCB\) on page 101](#).
- Interconnect board (ICB). See [Interconnect board \(ICB\) on page 108](#).
- DC controller. See [DC controller PCA and tray on page 110](#).
- Low-voltage power supply (LVPS). See [Low-voltage power supply \(LVPS\) on page 113](#).
- Secondary transfer assembly. See [Secondary transfer assembly on page 131](#).
- Power-supply fan and fan duct. See [Power-supply fan and fan duct on page 141](#).
- High-voltage power supply lower. See [High-voltage power supply lower on page 149](#).
- High-voltage power supply upper. See [High-voltage power supply upper on page 181](#).
- Main-drive assembly. See [Main-drive assembly on page 188](#).
- Fuser-drive assembly. See [Fuser-drive assembly on page 199](#).
- Delivery assembly. See [Delivery assembly on page 204](#).

## Remove the duplex-drive assembly

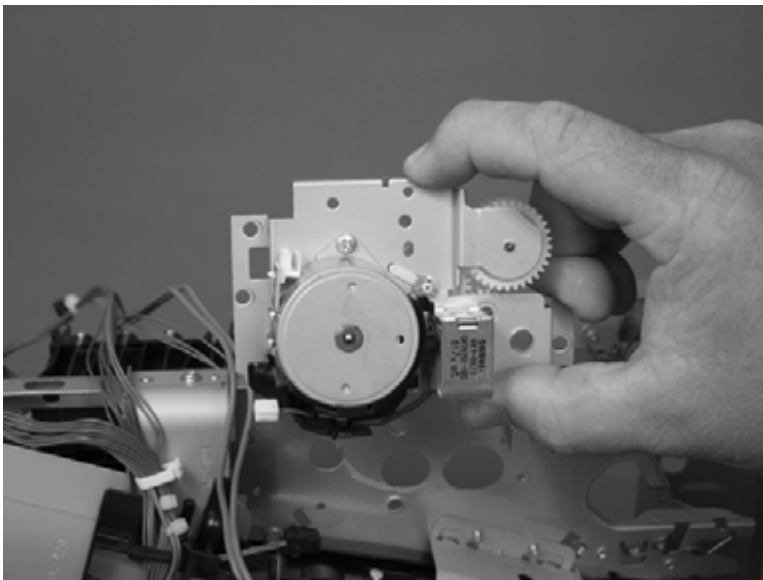
1. Disconnect two connectors (callout 1), and then remove three screws (callout 2).

**Figure 1-302** Remove the duplex-drive assembly (1 of 2)




2. Remove the assembly.

**Figure 1-303** Remove the duplex-drive assembly (2 of 2)



## Optional paper feeder assembly (Tray 3)

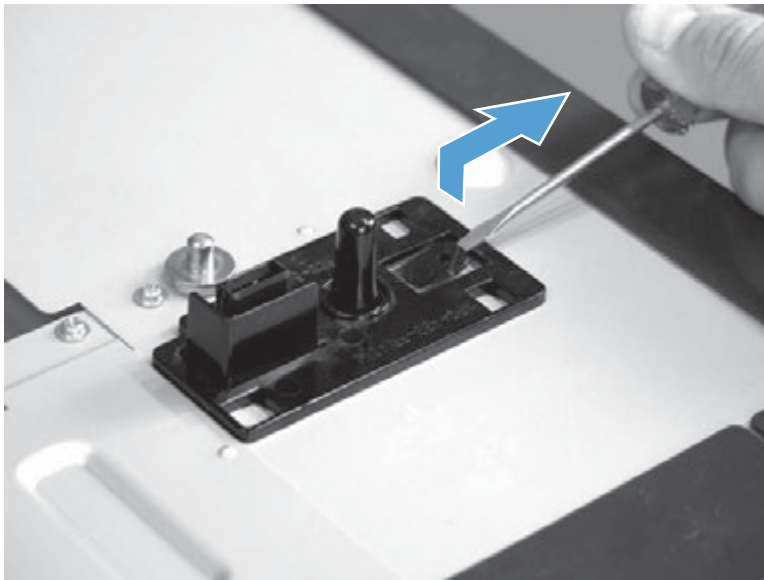
 **NOTE:** For information about removing the Tray 3 pickup roller, see [Pickup and feed rollers \(Tray 3\) on page 29](#).

For information about removing the Tray 3, see [Tray 2 and 3 on page 23](#).

For information about removing the right door (optional paper feeder), see [Right door \(optional paper feeder\) on page 47](#).

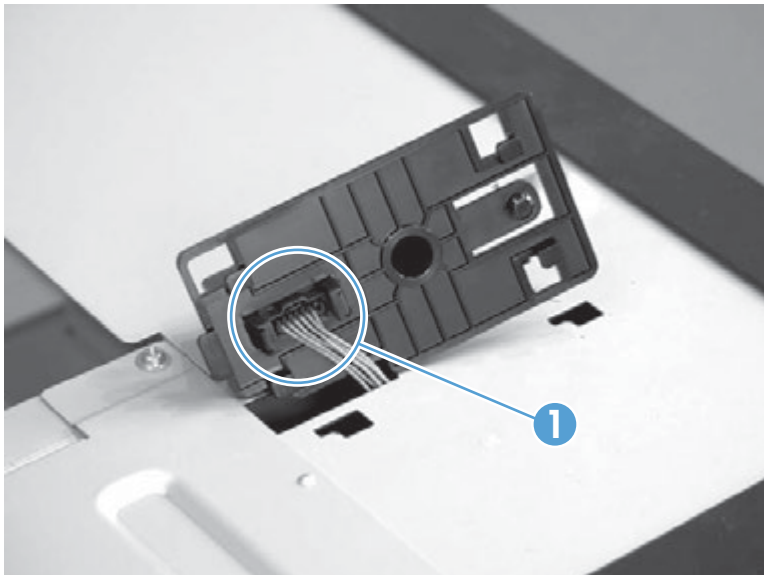
### Drawer connector

1. With a small screwdriver, lift one tab and then slide the drawer connector to release.



2. Remove one connector (callout 1).

**Figure 1-304** Remove the drawer connector; optional paper feeder





---

## 2 Parts and diagrams

- [Order parts, accessories, and supplies](#)
- [Orderable parts](#)
- [Related documentation and software](#)
- [Fasteners used in this product](#)
- [How to use the parts lists and diagrams](#)
- [Assembly locations](#)
- [Covers](#)
- [ADF and scanner assemblies](#)
- [Control panel assembly](#)
- [ADF assemblies](#)
- [Scanner assemblies](#)
- [Right-door assembly](#)
- [Internal assemblies](#)
- [Assessories](#)
- [Alphabetical parts list](#)
- [Numerical parts list](#)

## Order parts, accessories, and supplies

You can obtain the following items directly from HP:

- **Replacement parts:** To order replacement parts in the U.S., go to [www.hp.com/go/hpparts/](http://www.hp.com/go/hpparts/). Outside the United States, order parts by contacting your local authorized HP service center.
- **Supplies and accessories:** To order supplies in the U.S., go to [www.hp.com/go/ljsupplies](http://www.hp.com/go/ljsupplies). To order supplies worldwide, go to [www.hp.com/ghp/buyonline.html](http://www.hp.com/ghp/buyonline.html). To order accessories, go to [www.hp.com/support/lj500colorMFPM575](http://www.hp.com/support/lj500colorMFPM575).

# Oderable parts

The following list of accessories was current at the time of printing. Ordering information and availability of the accessories might change during the life of the product.

## Accessories

**Table 2-1 Accessories**

Item	Description	Product number	Part number
1 x 500-sheet paper feeder		CE084A	CF084-67901
LaserJet printer cabinet		CE085A	CD644-67917
Power cords	PWR-CORD OPT-934 3-COND 1.9-M-LG ROHS		8121-0971
	PWR-CORD OPT-902 3-COND 1.9-M-LG ROHS		8121-0950
	PWR-CORD OPT-922 3-COND 1.9-M-LG ROHS		8121-0945
	PWR-CORD OPT-901 3-COND 1.9-M-LG ROHS		8121-0872
	PWR-CORD OPT-918 3-COND 1.9-M-LG ROHS		8121-1144
	PWR-CORD OPT-919 3-COND 1.9-M-LG ROHS		8121-1005
	PWR-CORD OPT-912 3-COND 1.9-M-LG ROHS		8121-0949
	PWR-CORD OPT-923 3-COND 1.9-M-LG ROHS		8121-1083
	PWR-CORD OPT-917 3-COND 1.9-M-LG ROHS		8121-0954
	PWR-CORD OPT-900 3-COND 1.9-M-L 10A ROHS		8121-0946
	PWR-CORD OPT-906 3-COND 1.9-M-LG ROHS		8121-0947
	PWR-CORD OPT-903 3-COND 1.9-M-LG ROHS		8121-0921
	PWR-CORD OPT-921 3-COND 1.9-M-LG ROHS		8121-0951
	PWR-CORD OPT-940 3 COND 1.9-M-LG ROHS		8121-0952
	PWR-CORD OPT-940 3 COND 1.9-M-LG ROHS		8121-1070
	PWR-CORD OPT-920 3-COND 1.9-M-LG ROHS		8121-0953

## Print cartridges and toner collection unit

Product name	Cartridge number	Part number (service)
HP Color LaserJet standard black print cartridge	CE400A	CE400-67901
HP Color LaserJet high capacity black print cartridge	CE400X	CE400-67902

Product name	Cartridge number	Part number (service)
HP Color LaserJet cyan print cartridge	CE401A	CE401-67901
HP Color LaserJet yellow print cartridge	CE402A	CE402-67901
HP Color LaserJet magenta print cartridge	CE403A	CE403-67901
Toner collection unit (TCU)	CE254A	CF081-67903
Fuser kit		CD644-67906 (110 V)
<ul style="list-style-type: none"> <li>Fuser assembly (110 V or 220 V)</li> <li>Installation instructions</li> <li>Recycle guide</li> </ul>		CD644-67907 (220 V)

**CAUTION:** Make sure that you order the correct kit for the rated voltage of your product.

## Memory

Product name	Part number
Hard drive replacement kit	CD644-67912
<ul style="list-style-type: none"> <li>250 GB HDD</li> <li>Bracket</li> <li>Installation instructions</li> </ul>	
HDD Replacement Kit (U.S. government only)	CD644-67913
<ul style="list-style-type: none"> <li>320 GB HDD</li> <li>Bracket</li> <li>Installation instructions</li> </ul>	

## Customer self repair (CSR) and service kits

Product name	Part number
1 x 500-sheet paper feeder right door kit	CC468-67906
<ul style="list-style-type: none"> <li>Right-door assembly</li> <li>Right-door stopper</li> <li>Right-door link</li> <li>Installation instructions</li> </ul>	

<b>Product name</b>	<b>Part number</b>
ADF open close sensor assembly kit <ul style="list-style-type: none"> <li>• Plunger, ADF open</li> <li>• Spring, ADF open</li> <li>• ADF open sensor</li> <li>• Installation instructions</li> </ul>	5851-4846
ADF pick success sensor assembly kit <ul style="list-style-type: none"> <li>• Flag pick success</li> <li>• Spring duplex</li> <li>• Installation instructions</li> </ul>	5851-4849
ADF roller maintenance kit <ul style="list-style-type: none"> <li>• PM roller kit</li> <li>• Installation instructions</li> </ul>	L2725-60002
ADF whole unit kit <ul style="list-style-type: none"> <li>• ADF assembly</li> <li>• Foam reflector</li> <li>• Installation instructions</li> </ul>	CD644-67918
ADF width adjustor kit <ul style="list-style-type: none"> <li>• Width adjustor guide, rear</li> <li>• Width adjustor guide, front</li> <li>• Width adjustor slider guide</li> <li>• Installation instructions</li> </ul>	5851-4880
Duplex reverse guide kit <ul style="list-style-type: none"> <li>• Duplex reverse guide</li> <li>• Installation instructions</li> </ul>	CC468-67913
Fax kit <ul style="list-style-type: none"> <li>• Fax PCA</li> <li>• Fax cradle</li> <li>• Installation instructions</li> </ul>	CC478-67901
Foam reflector kit <ul style="list-style-type: none"> <li>• Foam reflector</li> <li>• Installation instructions</li> </ul>	5851-4878

<b>Product name</b>	<b>Part number</b>
Formatter assembly kit (New) <ul style="list-style-type: none"> <li>• Formatter PCA</li> <li>• Formatter tray</li> <li>• Screw (1)</li> <li>• Installation instructions</li> </ul>	CD644-67909
Formatter assembly kit (China only) <ul style="list-style-type: none"> <li>• Formatter PCA</li> <li>• Formatter tray</li> <li>• Screw (2)</li> <li>• Installation instructions</li> </ul>	CD644-67910
Front-door assembly and name plate <ul style="list-style-type: none"> <li>• Front-door assembly</li> <li>• HP Jewel</li> <li>• Name plate</li> <li>• Installation instructions</li> </ul>	CD644-67902
Image scanner whole unit kit <ul style="list-style-type: none"> <li>• Image scanner assembly</li> <li>• Installation instructions</li> </ul>	CD644-67922
Service maintenance kit <ul style="list-style-type: none"> <li>• Intermediate transfer belt (ITB)</li> <li>• Secondary transfer roller assembly</li> <li>• Installation instructions</li> </ul>	CD644-67908
Laser scanner assembly kit <ul style="list-style-type: none"> <li>• Laser/scanner assembly</li> <li>• Installation instructions</li> </ul>	CD644-67905
Main drive assembly kit <ul style="list-style-type: none"> <li>• Main drive assembly</li> <li>• Installation instructions</li> </ul>	CD644-67911
Memory board kit <ul style="list-style-type: none"> <li>• AY memory board</li> <li>• Installation instructions</li> </ul>	CD644-67924


<b>Product name</b>	<b>Part number</b>
Photon control panel	CD644-67916
<ul style="list-style-type: none"> <li>• Photon-R control panel</li> <li>• Installation instructions</li> </ul>	
Pick/feed and separation roller kit (Tray 1)	CD644-67903
<ul style="list-style-type: none"> <li>• Separation pad</li> <li>• Pickup roller</li> <li>• Installation instructions</li> </ul>	
Pick/feed and separation roller kit (Tray 2/3)	CD644-67904
<ul style="list-style-type: none"> <li>• Separation roller assembly</li> <li>• Pickup roller assembly</li> <li>• Pickup roller</li> <li>• Feed roller</li> <li>• Installation instructions</li> </ul>	
Secondary transfer (T2) roller kit	CD644-67914
<ul style="list-style-type: none"> <li>• Secondary transfer roller</li> <li>• Installation instructions</li> </ul>	
Spring separation pad kit	5851-4879
<ul style="list-style-type: none"> <li>• Spring separation pad</li> <li>• Installation instructions</li> </ul>	
Staple cartridge kit	Q7432-67901/Q7432A
Toner collection unit (TCU) kit	CF081-67903/CE254A
<ul style="list-style-type: none"> <li>• Toner collection unit</li> <li>• Installation instructions</li> </ul>	

# Related documentation and software

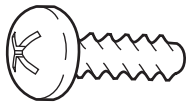
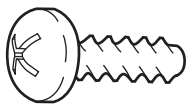
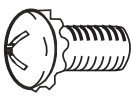


**Table 2-2 Related documentation and software**

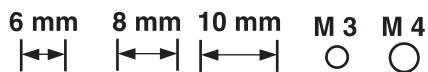
Item	Description	Part number
HP LaserJet Enterprise 500 color MFP M575 Printer User Guide	Product user guide	CD644-90907
HP LaserJet Enterprise 500 color MFP M575 Printer Service Repair Manual	English service repair manual	CD644-90966
HP LaserJet Enterprise 500 color MFP M575 Printer Service Troubleshooting Manual	English service troubleshooting manual	CD644-90967

# Fasteners used in this product

 **NOTE:** The screw illustrations in the following table are for reference only. Screws might vary in size and appearance from those shown in this table.

**Table 2-3 Common fasteners**


Example	Description	Size	Part Number
	Screw, tapping, truss head	M4X10	XB4-7401-005CN
	Screw, tapping, pan head	M4X10	XB4-7401-007CN
	Screw, D	M3X8	XA9-1671-000CN
	Screw, D	M3X8	XA9-1834-000CN
	Screw (formatter assembly)	M3X0.5	0515-4679




## How to use the parts lists and diagrams

The figures in this chapter show the major subassemblies in the product and their component parts. A parts list table follows each exploded view assembly diagram. Each table lists the item number, the associated part number, and the description of each part. If a part is not listed in the table, then it is not a field replacement unit (FRU).

---

 **CAUTION:** Be sure to order the correct part. When looking for part numbers for electrical components, pay careful attention to the voltage that is listed in the description column. Doing so will ensure that the part number selected is for the correct all-in-one model.

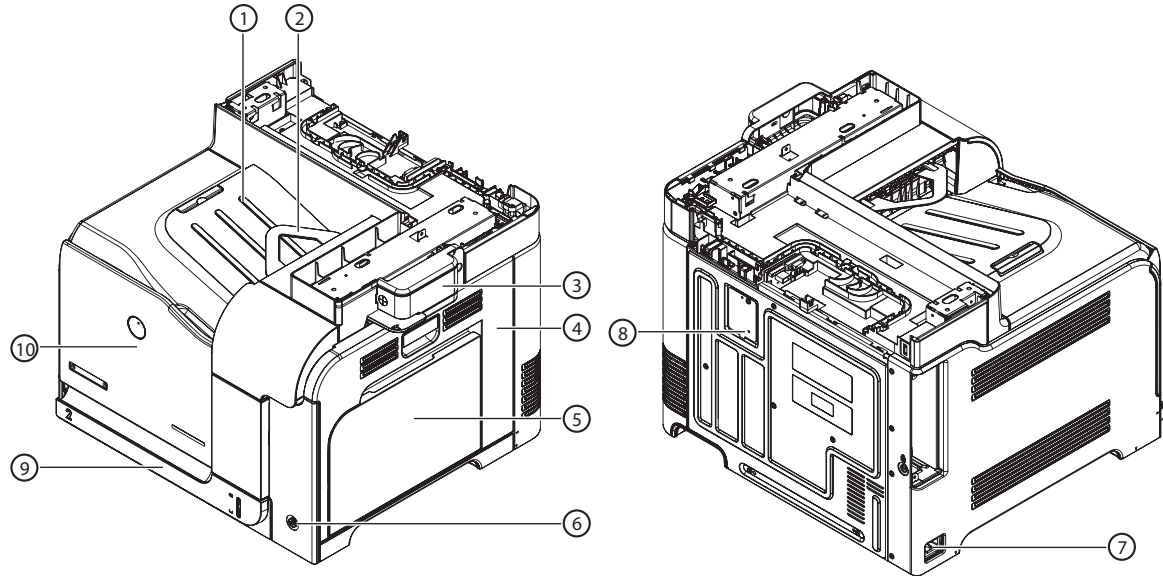
 **NOTE:** In this manual, the abbreviation “PCA” stands for “printed circuit-board assembly.” Components described as a PCA might consist of a single circuit board or a circuit board plus other parts, such as cables and sensors.

---

# Assembly locations

## Base product (no optional trays or accessories)

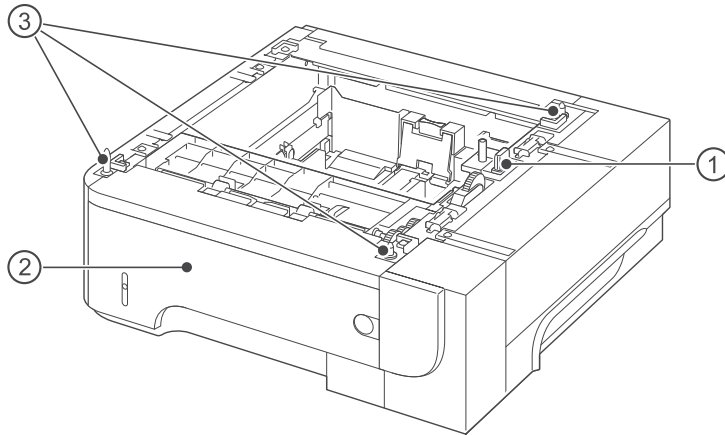
Figure 2-1 Base product (no optional trays or accessories)



Item	Description	Item	Description
1	Face-down output bin	6	Power switch
2	Reverse tray	7	Power receptacle
3	Stapler cover	8	Test print switch
4	Right door	9	Tray 2
5	Tray 1	10	Front door

## Base product (optional trays or accessories)

**Figure 2-2** Base product (optional trays or accessories)

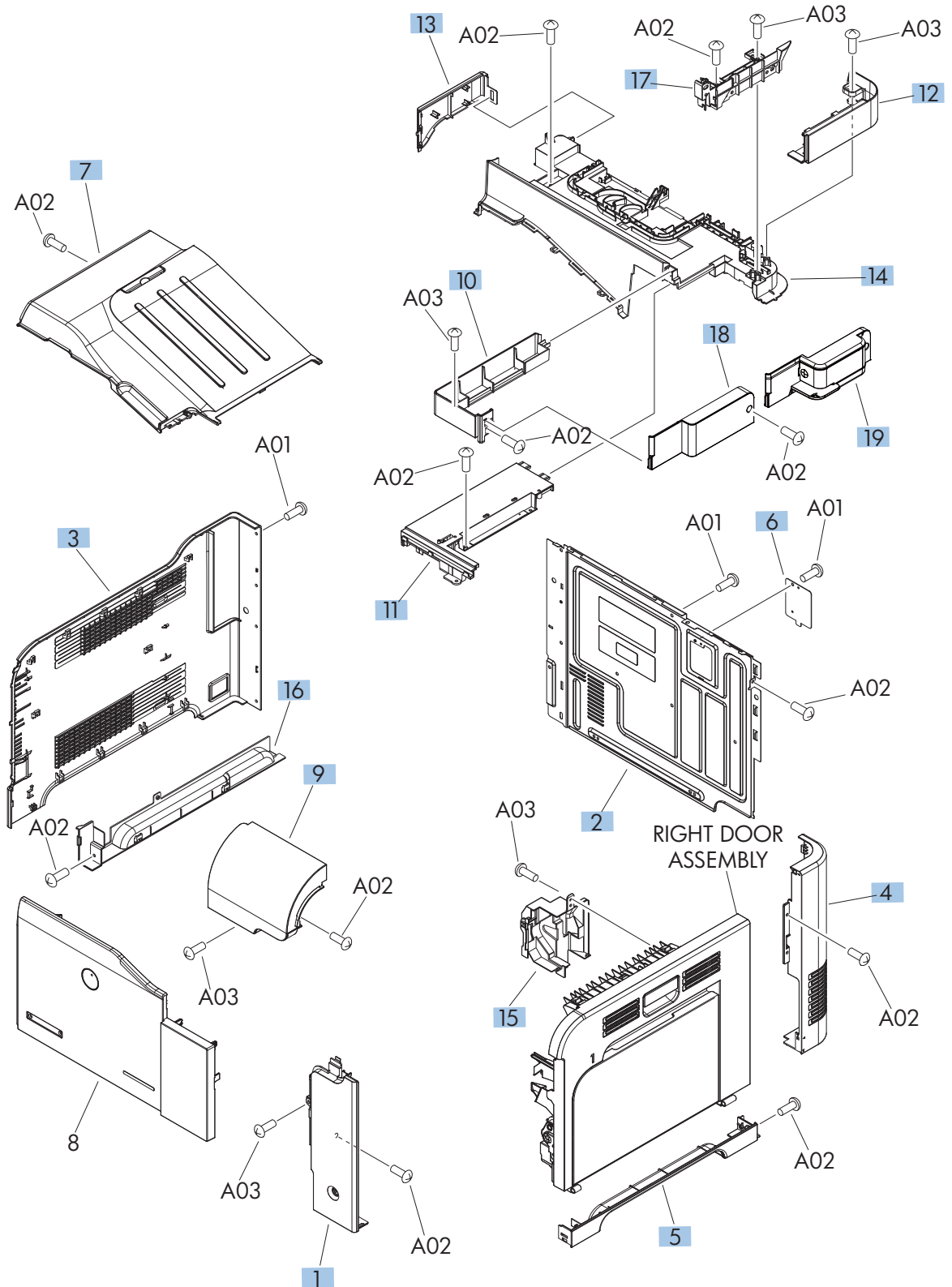


**Table 2-4** Optional 500-sheet input tray

Item	Description
1	Connector
2	Tray 3
3	Positioning pins

# Covers

Figure 2-3 External covers, panels, and doors

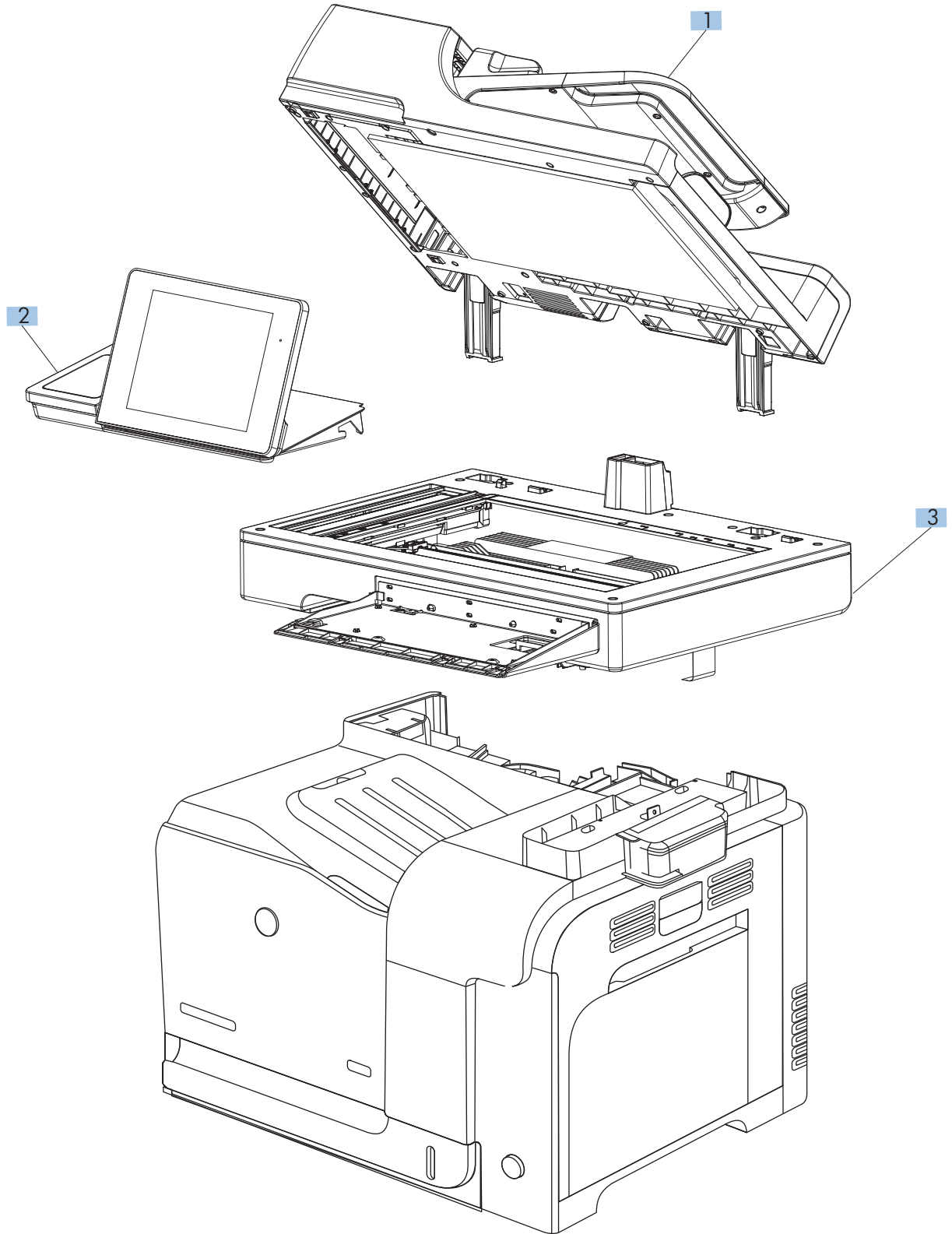


**Table 2-5 External covers, panels, and doors**

<b>Ref</b>	<b>Description</b>	<b>Part number</b>	<b>Qty</b>
1	Cover, right front	RC2-5056-000CN	1
2	Cover, rear	RC2-5048-000CN	1
3	Cover, left	RC2-5052-000CN	1
4	Cover, rear right	RC2-5057-000CN	1
5	Cover, right lower	RC2-5059-000CN	1
6	Plate, blanking	RC2-5938-000CN	1
7	Tray, paper delivery	RL1-1941-030CN	1
9	Control panel cover assembly	RM1-9198-000CN	1
10	Cover, right	RC3-2095-000CN	1
11	Cover, upper right	RC3-2093-000CN	1
12	Cover, right rear	RC3-2096-000CN	1
13	Cover, left rear	RC3-2094-000CN	1
14	Cover, upper rear	RC3-2092-000CN	1
15	Cover, right door gear rear	RC2-4924-000CN	1
16	Cover, left lower	RC2-5069-000CN	1
17	Guide, cable	RC3-2103-000CN	1
18	Cover, image scanner unit	RRC3-2097-000CN	1
19	Cover, stapler unit	RM1-9199-000CN	1

# ADF and scanner assemblies

Figure 2-4 ADF and scanner assemblies

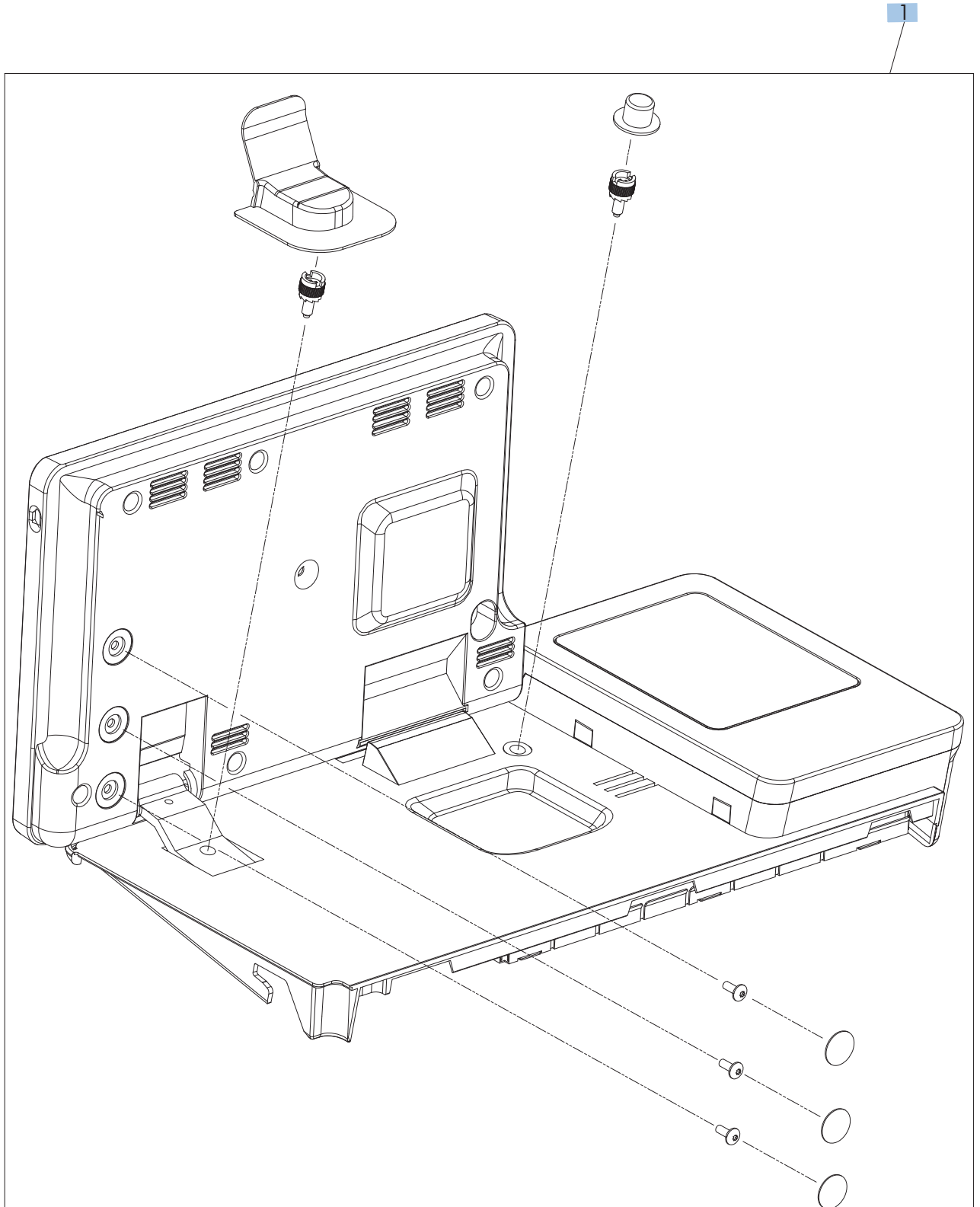


**Table 2-6 ADF and scanner assemblies**

<b>Ref</b>	<b>Description</b>	<b>Part number</b>	<b>Qty</b>
1	ADF whole unit	CD644-67918	1
2	Control panel	CD644-67916	1
3	Scanner whole unit	CD644-67922	1

# Control panel assembly

Figure 2-5 Control panel assembly

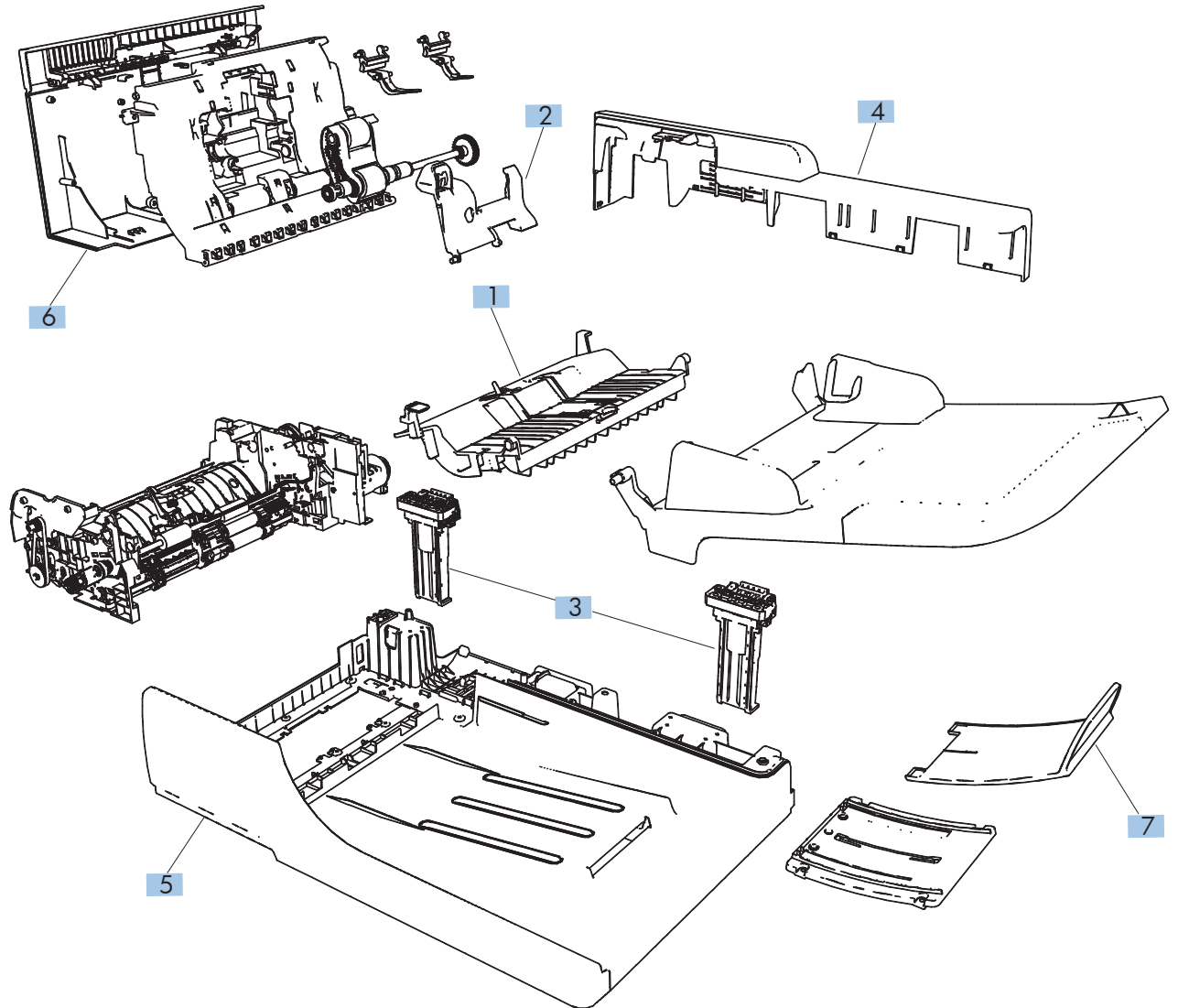


**Table 2-7 Control panel assembly**

<b>Ref</b>	<b>Description</b>	<b>Part number</b>	<b>Qty</b>
1	Control panel assembly kit	CD644-67916	1
Not shown	Control-panel cable	CF116-60105	1

# ADF assemblies

Figure 2-6 ADF assemblies

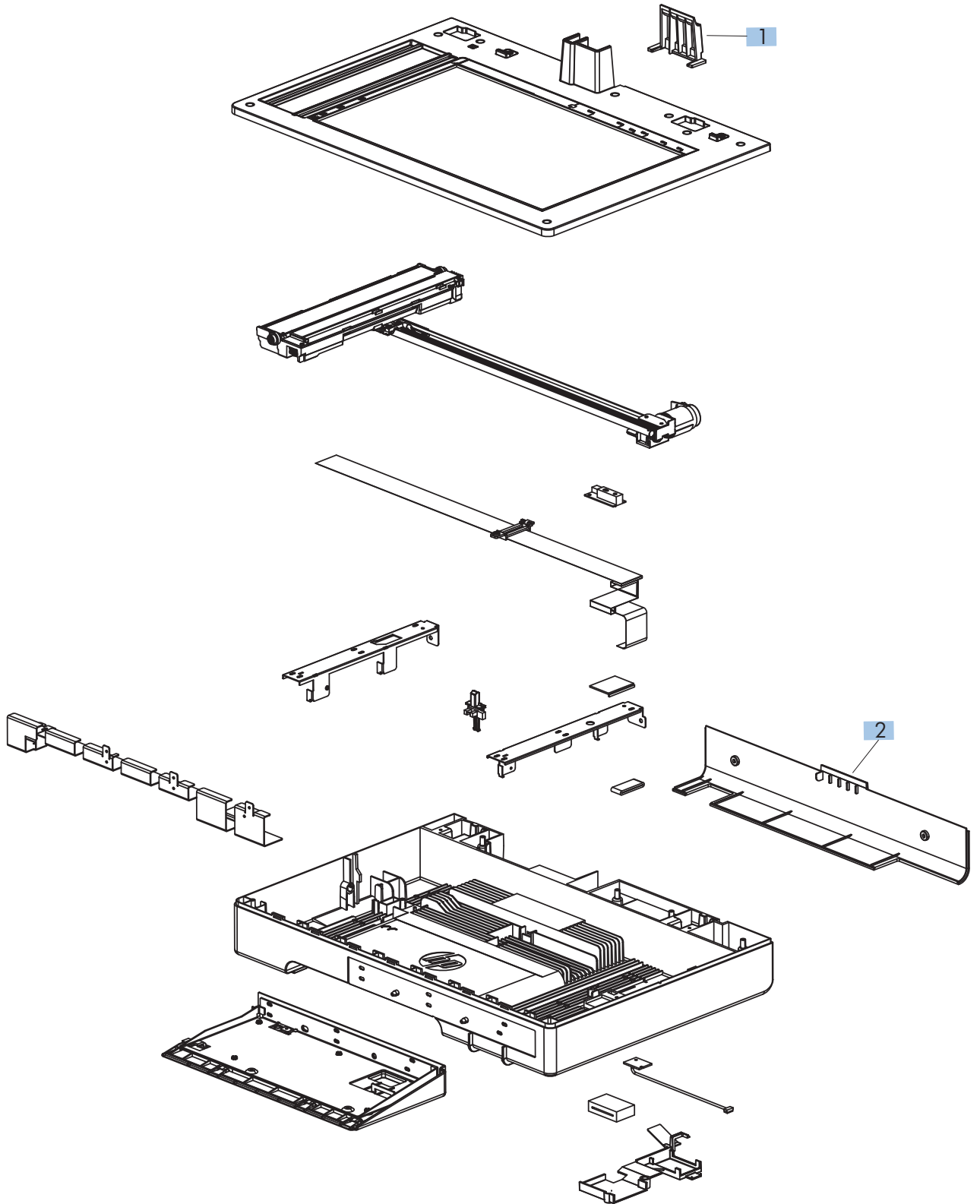


**Table 2-8 ADF assemblies**

<b>Ref</b>	<b>Description</b>	<b>Part number</b>	<b>Qty</b>
1	ADF separation pad spring	5851-4879	1
2	ADF roller cover	CC355-40013	1
3	ADF hinge assembly	Q7404-60024	2
4	Cover, ADF rear	Q7404-40007	1
5	Cover, ADF front	Q7404-40030	1
6	Cover, hatch	Q7404-40006	1
7	ADF tray extender	Q7404-40020	1

# Scanner assemblies

Figure 2-7 Scanner assemblies

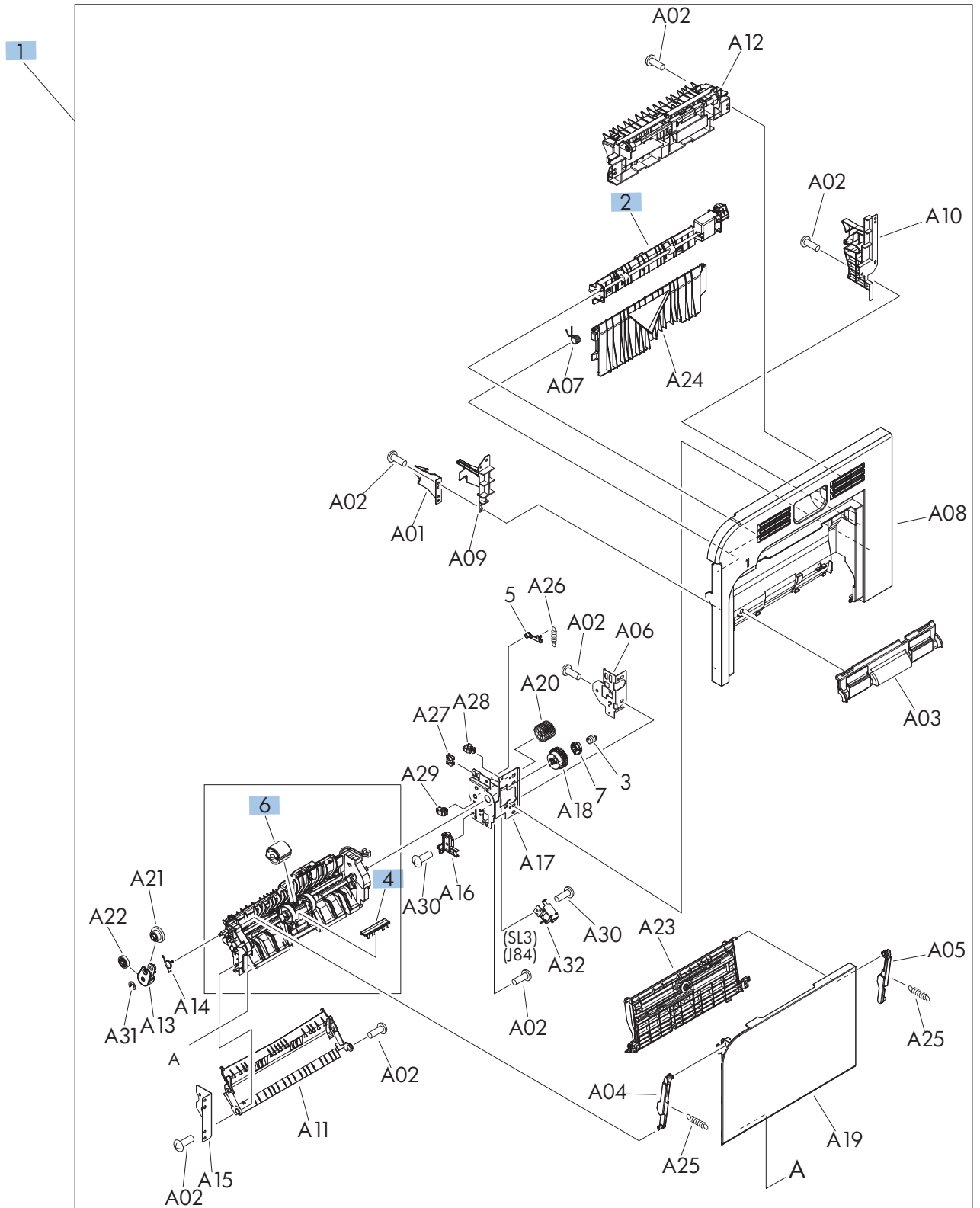


**Table 2-9 Scanner assemblies**

<b>Ref</b>	<b>Description</b>	<b>Part number</b>	<b>Qty</b>
1	Cover, ADF cable	5851-0630	1
2	Cover, rear scanner	CF116-40002	1
Not shown	PCA, scanner memory	CF116-67923	1
Not shown	Cave light	CF116-60104	1
Not shown	Cable harness merge assy	Q7404-50005	1

# Right-door assembly

Figure 2-8 Right-door assembly



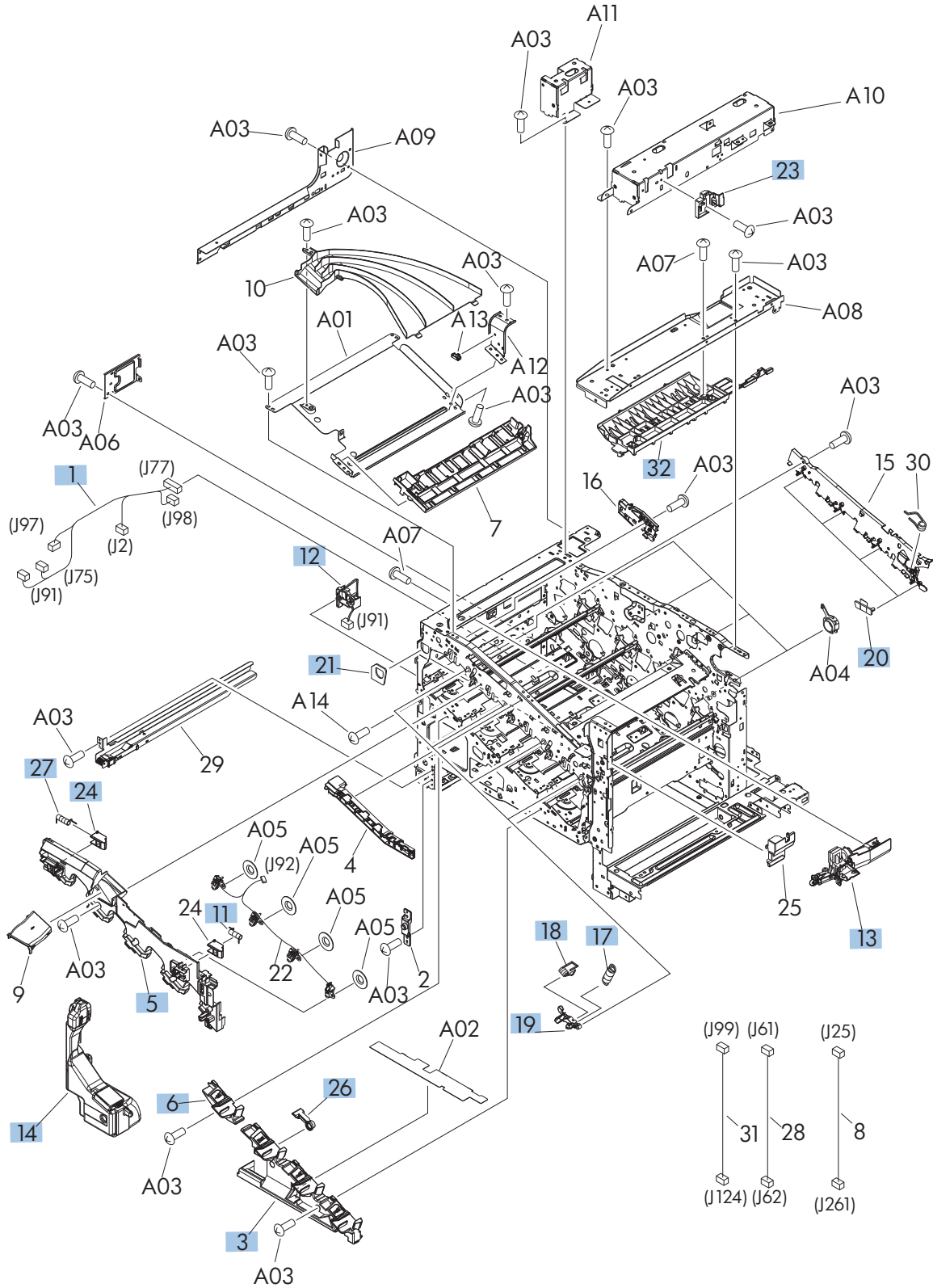
**Table 2-10 Right-door assembly**

<b>Ref</b>	<b>Description</b>	<b>Part number</b>	<b>Qty</b>
1	Right door assembly	RM1-8123-000CN	1
2	Duplexing paper feed assembly	RM1-4959-000CN	1
4, 6	Kit, Tray 1 roller (pickup roller and separation pad)	CD644-67903	1

# Internal assemblies

## Internal assemblies (1 of 6)

Figure 2-9 Internal assemblies (1 of 6)

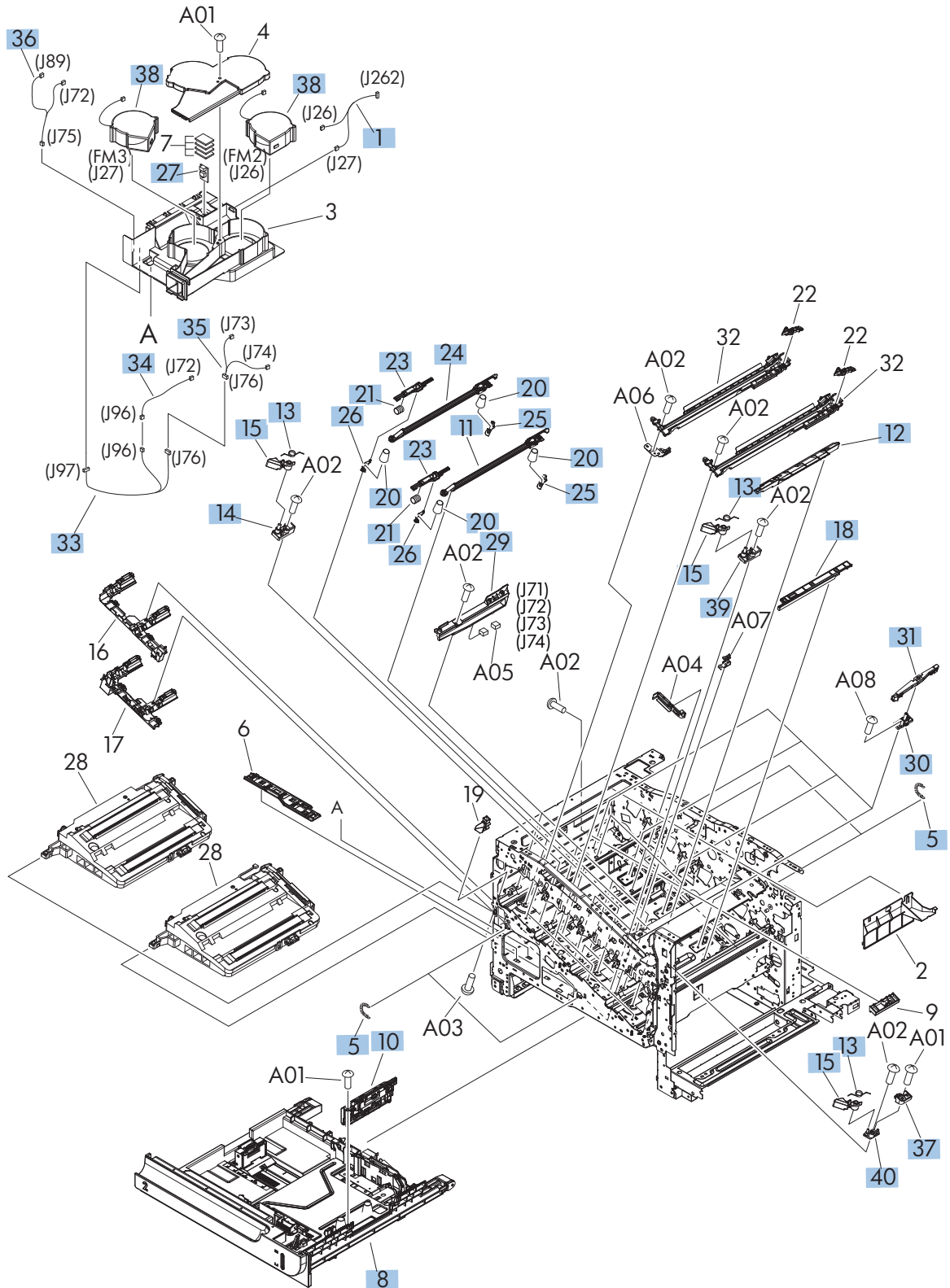


**Table 2-11 Internal assemblies (1 of 6)**

<b>Ref</b>	<b>Description</b>	<b>Part number</b>	<b>Qty</b>
1	Left cable assembly	RM1-5742-000CN	1
3	Cover, front inner lower unit	RL1-1914-020CN	1
5	Cover, front inner upper	RC3-1070-000CN	1
6	Cover, front inner lower	RL1-1915-000CN	1
11	Spring, compression	RU6-2567-000CN	1
12	Waste toner detect assembly	RM1-5696-000CN	1
13	Waste toner duct assembly	RM1-8138-000CN	1
14	Toner collection unit (TCU)	RM1-4989-000CN	1
17	Spring, tension	RU7-2192-000CN	4
18	Spring, ground	RU6-2237-000CN	4
19	Lever, cartridge pressure front	RC2-3983-030CN	4
20	Guide, light	RC2-4426-000CN	4
21	Waste toner box seal	RC2-4780-000CN	4
23	Cover, stapler switch	RC3-2116-000CN	4
24	Lock, door	RC2-5937-000CN	2
26	Lever, box presence detect	RC2-5951-000CN	1
27	Spring, compression	RU6-2568-000CN	1
32	Guide, door latch right	RC2-4914-000CN	1

## Internal assemblies (2 of 6)

Figure 2-10 Internal assemblies (2 of 6)



**Table 2-12 Internal assemblies (2 of 6)**

<b>Ref</b>	<b>Description</b>	<b>Part number</b>	<b>Qty</b>
1	Fan cable assembly	RM1-5746-000CN	1
5	Spring, tension	RU6-2436-000CN	4
8	Tray 2	RM1-4962-060CN	1
10	Separation roller assy (part of roller kit)	RM1-4966-020CN	1
11	Shutter assembly	RM1-4999-000CN	2
12	Cover	RC2-5912-000CN	1
13	Spring, torsion	RC2-5958-000CN	4
14	Holder, cartridge lock lever	RC2-5955-000CN	1
15	Lever, cartridge lock lever	RC2-5954-000CN	4
18	Cover	RC2-5962-000CN	1
20	Spring, compression	RU6-2318-000CN	8
21	Spring, compression	RU6-2316-000CN	4
23	Lever, shutter	RC2-4415-000CN	4
24	Shutter assembly	RM1-5488-000CN	2
25	Arm, shutter rear	RC2-4407-030CN	4
26	Arm, shutter front	RC2-4406-000CN	4
27	Temperature sensor unit	RK2-3267-000CN	1
29	Toner sensor holder assembly	RM1-5700-000CN	4
30	Stand assembly	RM1-5588-000CN	4
31	Base assembly	RM1-8149-000CN	4
33	Connecting cable assembly	RM1-5749-000CN	1
34	Sensor cable assembly	RM1-5740-000CN	1
35	Sensor cable assembly	RM1-5741-000CN	1
36	Motor/sensor cable assembly	RM1-5752-000CN	1
37	Cartridge lock lever holder	RC2-5957-000CN	1
38	Fan (FM2, FM3)	RK2-2418-000CN	2
39	Cartridge lock lever holder	RC3-1075-000CN	2
40	Cartridge lock lever holder	RC2-5956-000CN	2

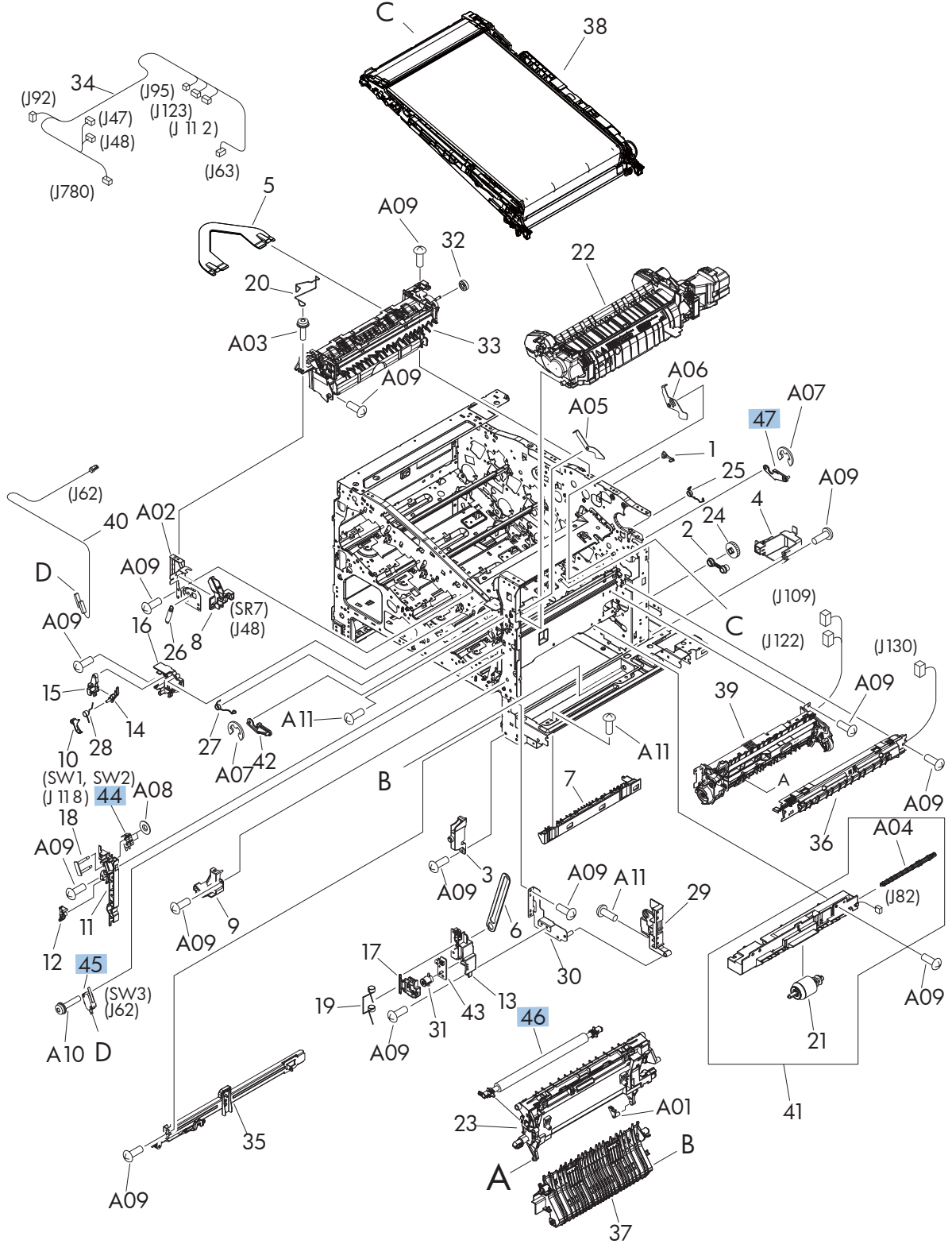


**Table 2-13 Internal assemblies (3 of 6)**

<b>Ref</b>	<b>Description</b>	<b>Part number</b>	<b>Qty</b>
6	Link, door stopper	RC2-4916-000CN	1
7	Guide, option entrance	RC2-4915-000CN	1
8	Sensor cable guide assembly (SR7)	RM1-8178-000CN	1
9	Cover, inner right lower	RC2-5019-000CN	1
10	Link, interlock (SW1)	RC2-5120-000CN	1
11	Mount, interlock switch	RC2-5123-000CN	1
12	Arm, interlock link switch	RC2-5121-000CN	1
14	Link, interlock	RC2-5119-000CN	1
15	Link, interlock	RC2-5118-000CN	1
17	Lever, switch	RC3-1208-000CN	1
18	Shaft	RC2-5913-000CN	1
19	Spring	RC3-1212-000CN	1
20	Wire (mech) sensor project	RC2-4828-000CN	1
22	Fuser 110v	CD644-67906	1
22	Fuser 220v	CD644-67907	1
23	Secondary transfer assembly	RM1-4952-030CN	1
25	Spring, torsion	RC2-4378-000CN	1
26	Spring, torsion	RU6-2268-000CN	1
27	Spring, torsion	RC2-4377-000CN	1
28	Spring, torsion	RC2-5122-000CN	1
31	Button, power supply	RL1-1947-000CN	1
33	Paper delivery assembly	RM1-4970-060CN	1
36	Density detect assembly	RM1-8163-000CN	1
37	Pick up lower guide assembly	RM1-9192-000CN	1
38	ITB kit	CD644-67908	1
39	Registration assembly	RM1-4969-000CN	1
40	Switch cable assembly	RM1-8065-000CN	1
41	Paper pick up assembly	RM1-4967-000CN	1
42	Front lock arm assembly	RM1-5532-000CN	1
43	Switch PCA assembly	RM1-8097-000CN	1

## Internal assemblies (4 of 6)

Figure 2-12 Internal assemblies (4 of 6)



**Table 2-14 Internal assemblies (4 of 6)**

<b>Ref</b>	<b>Description</b>	<b>Part number</b>	<b>Qty</b>
44	Door switch assembly (SW2)	RM1-5732-000CN	1
45	Microswitch (SW3)	WC4-5171-000CN	1
46	Secondary transfer roller	CD644-67914	1
47	Rear lock arm assembly	RM1-5533-000CN	1



**Table 2-15 Internal assemblies (5 of 6)**

<b>Ref</b>	<b>Description</b>	<b>Part number</b>	<b>Qty</b>
1	Fusing connecting cable assembly	RM1-5714-000CN	1
2	Link, door stopper	RC2-4916-000CN	1
4	Spring, compression	RC2-5021-000CN	1
6	Fan (FM1)	RK2-2416-000CN	1
7	Rear handle	RC2-5042-000CN	1
9	Spring, grounding	RC2-5148-000CN	1
11	Switch arm	RC2-5943-000CN	1
15	Lower HVPS (D)	RM1-8087-000CN	1
16	Cable, laser FCC 1	RK2-3941-000CN	1
17	Cable, rear assembly	RM1-8084-000CN	1
18	Upper HVPS (T)	RM1-8088-000CN	1
19	Cable, laser FCC 2	RK2-3943-000CN	1
20	DC Controller	RM1-8119-000CN	1
27	Cable, MP sensor assembly	RM1-5737-000CN	1
29	Interconnect PCA (ICB)	RM1-8086-000CN	1
30	LVPS (110V)	RM1-8102-000CN	1
30	LVPS (220V)	RM1-8103-000CN	1

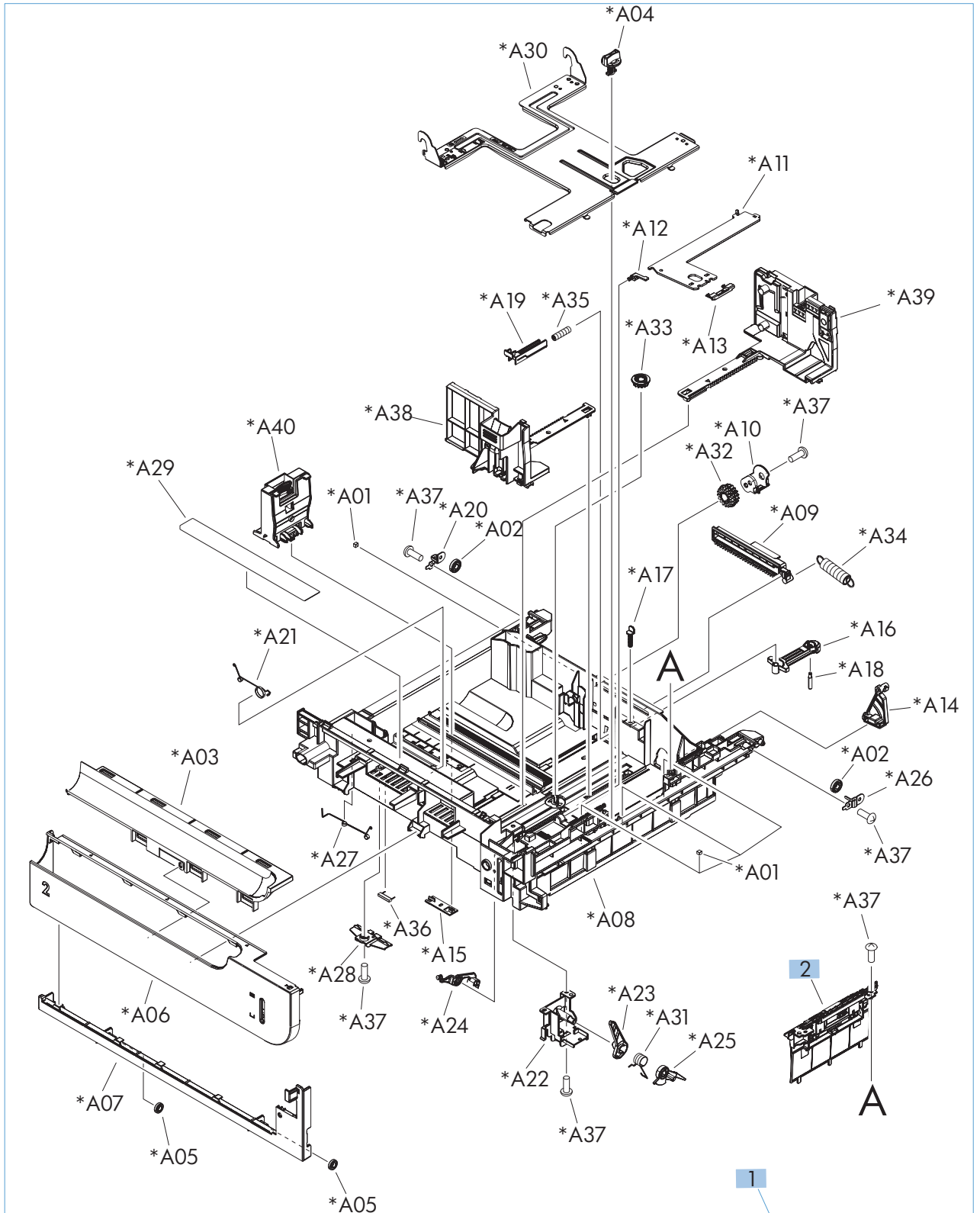


**Table 2-16 Internal assemblies (6 of 6)**

<b>Ref</b>	<b>Description</b>	<b>Part number</b>	<b>Qty</b>
1	Duplexing unit cable assembly	RM1-5730-000CN	1
6	Spring, tension	RU6-2405-000CN	1
7	Lifter drive assembly	RM1-4976-000CN	1
8	Main motor unit (M3, M4, M5)	RM1-8105-000CN	3
12	Connector, drawer	VS1-7258-007CN	1
13	Photo interrupter (SR5)	WG8-5935-000CN	1
14	Paper pick up drive assembly	RM1-8135-000CN	1
17	Spring, compression	RU7-2193-000CN	1
19	Rear Pre-exposure PCA assembly	RM1-8174-000CN	1
21	Pickup motor assembly (M13)	RM1-5773-000CN	1
22	Fusing drive assembly	RM1-8134-000CN	1
24	Duplex drive assembly	RM1-4973-000CN	1
25	Fusing motor assembly (M2)	RM1-4983-000CN	1
27	Stepping motor, DC (M10)	RK2-2415-000CN	1

# Tray 2

Figure 2-15 Tray 2

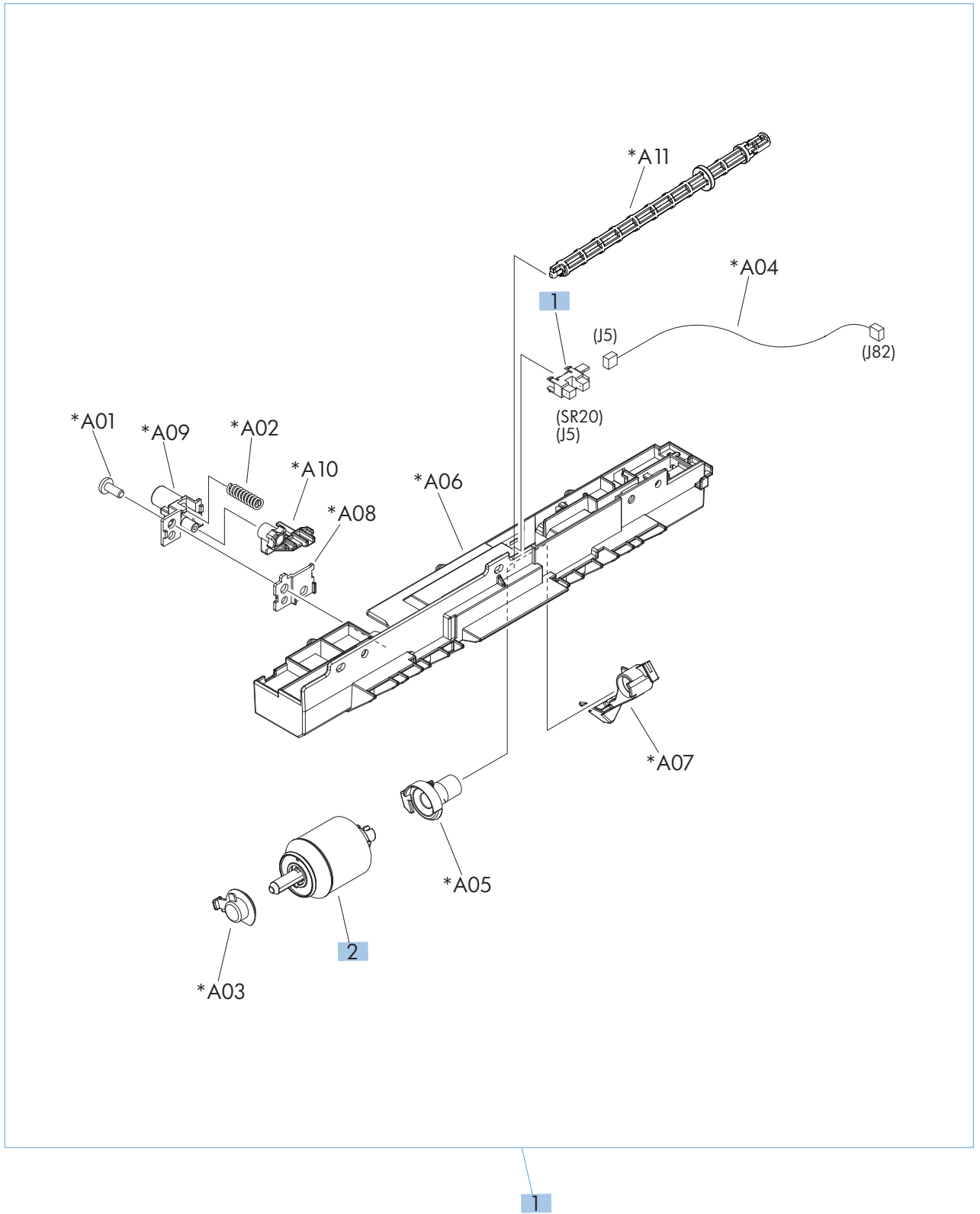


**Table 2-17 Tray 2**

<b>Ref</b>	<b>Description</b>	<b>Part number</b>	<b>Qty</b>
1	Tray 2	RM1-6198-000CN	1
2	Separation roller assembly (part of roller kit)	CD644-67904	1

# Paper pickup assembly

Figure 2-16 Paper pickup assembly (Tray 2)

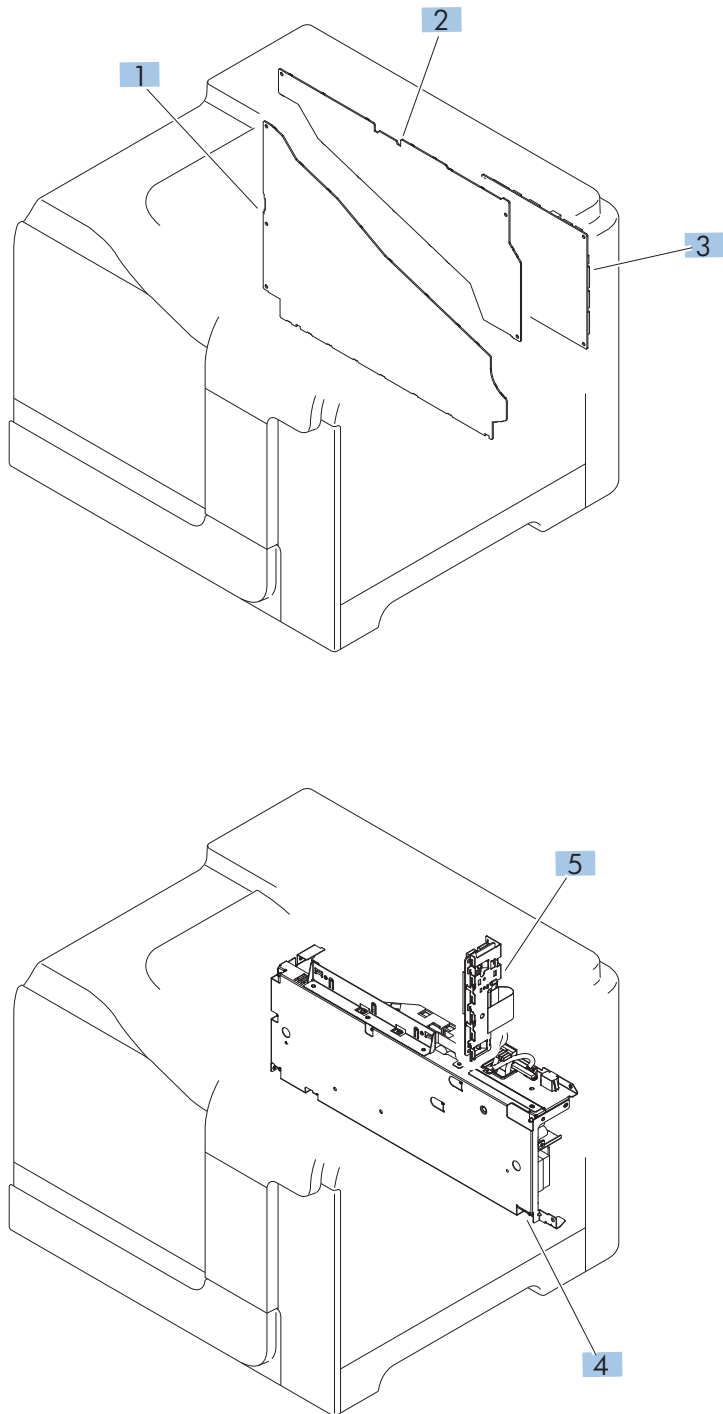


**Table 2-18 Paper pickup assembly (Tray 2)**

<b>Ref</b>	<b>Description</b>	<b>Part number</b>	<b>Qty</b>
1	Paper pickup assembly	RM1-4967-000CN	1
2	Pickup roller	RM1-4968-040CN	1
3	Photointerrupter	WG8-5935-000CN	1

## PCAs

Figure 2-17 PCAs



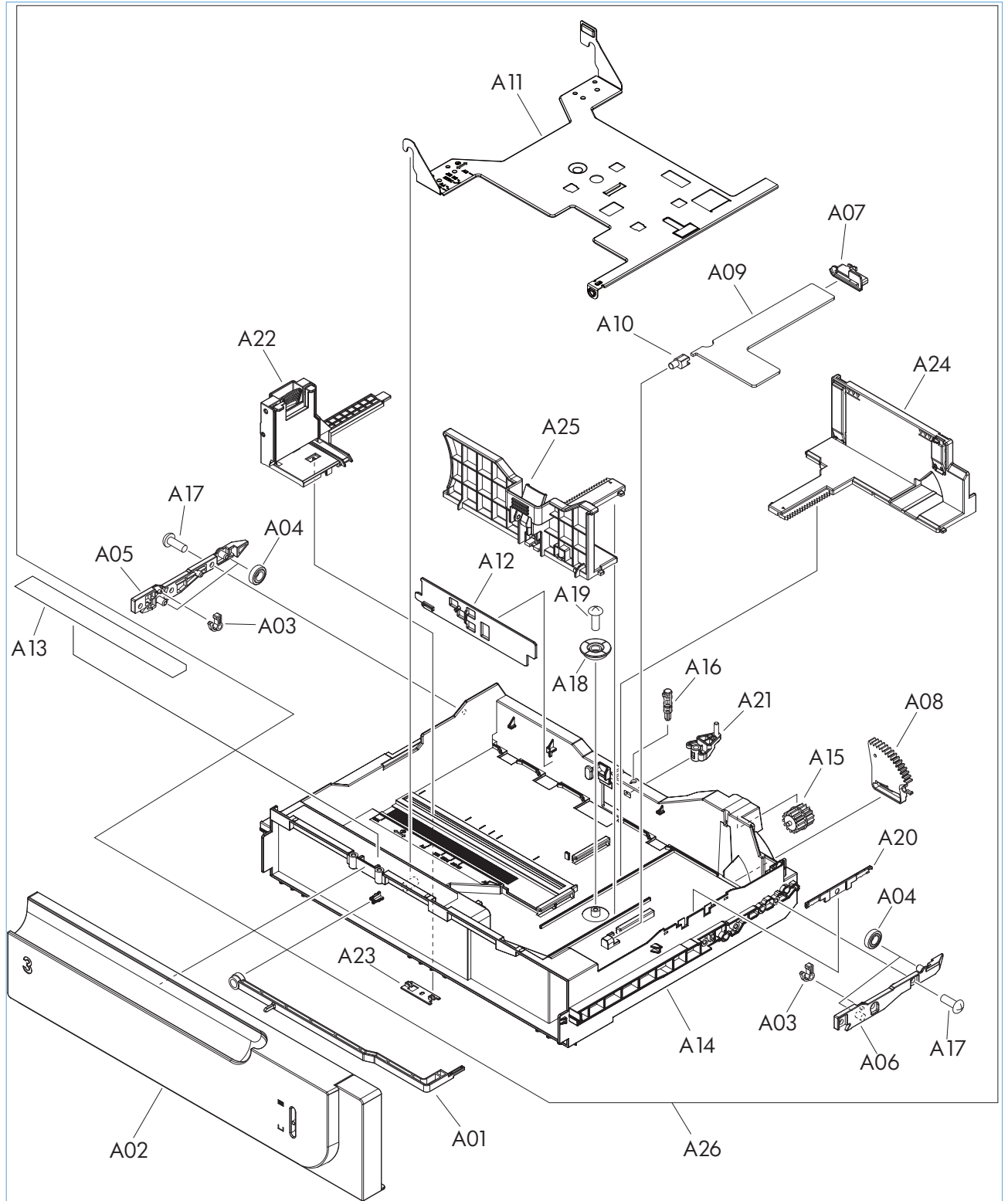
**Table 2-19 PCAs**

<b>Ref</b>	<b>Description</b>	<b>Part number</b>	<b>Qty</b>
1	Lower HVPS-D PCA	RM1-8087-000CN	1
2	Upper HVPS-T PCA	RM1-8088-000CN	1
3	DC controller PCA	RM1-8104-000CN	1
4	Low-voltage power supply 110V	RM1-8102-000CN	1
4	Low-voltage power supply 220V	RM1-8103-000CN	1
5	Inner connecting PCA (ICB)	RM1-8143-000CN	1
Not shown	Formatter assembly kit (New)	CD644-67909	1
Not shown	Formatter assembly kit (China)	CD644-67910	1

# Assessories

## 1 x 500-sheet paper feeder

Figure 2-18 1 x 500-sheet paper feeder

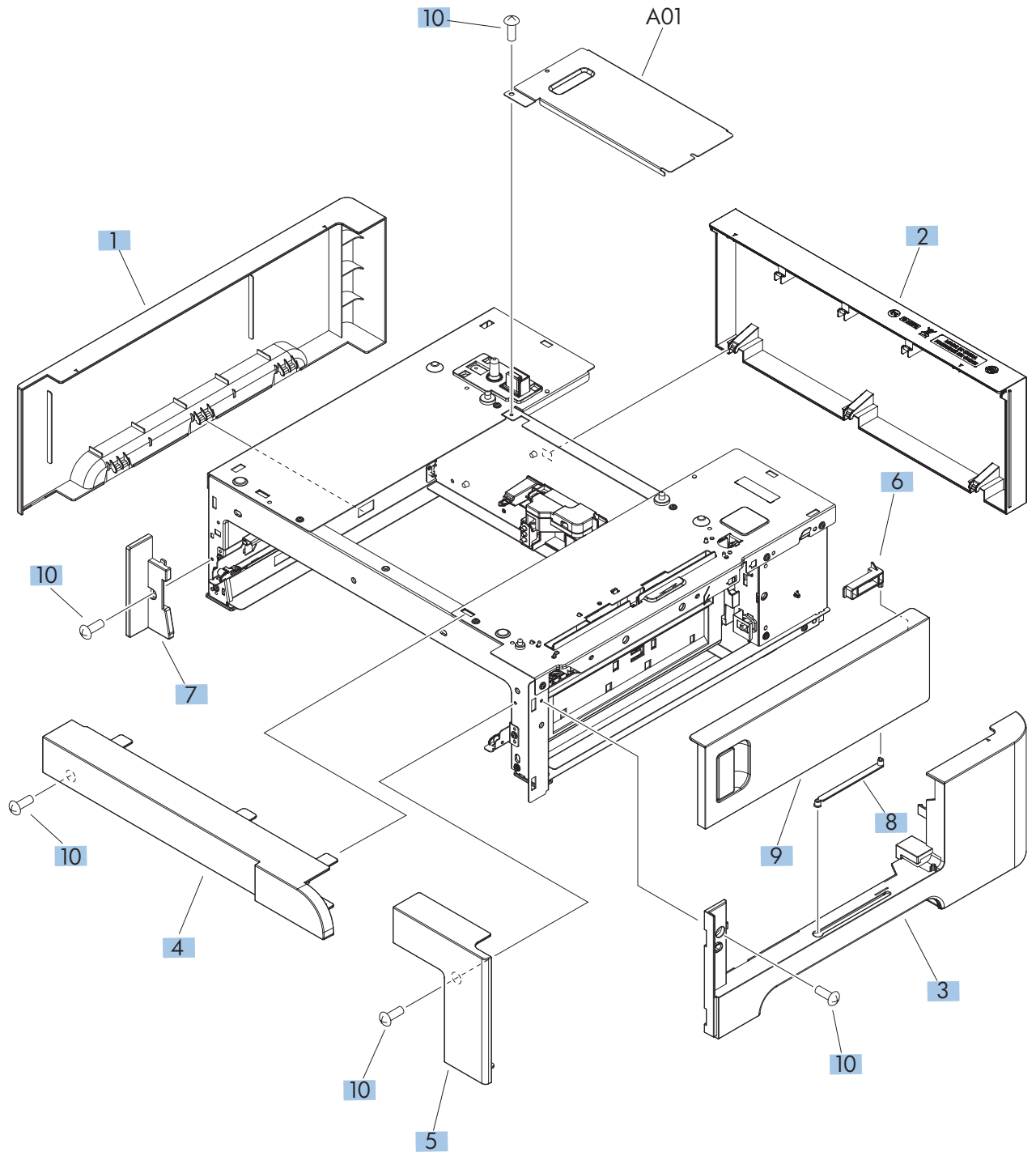


**Table 2-20 1 x 500-sheet paper feeder**

<b>Ref</b>	<b>Description</b>	<b>Part number</b>	<b>Qty</b>
1	1 x 500-sheet feeder replacement kit	CF084-67901	1

## Paper feeder covers

Figure 2-19 Paper feeder covers



**Table 2-21 Paper feeder covers**

<b>Ref</b>	<b>Description</b>	<b>Part number</b>	<b>Qty</b>
1	Cover, left	RC2-5428-000CN	1
2	Cover, rear	RC2-5429-000CN	1
3	Cover, right	RC2-5427-000CN	1
4	Cover, front upper	RC2-5425-000CN	1
5	Cover, front right	RC2-5426-000CN	1
6	Stopper, door	CC468-67913	1
7	Cover, left front	RC2-5430-000CN	1
8	Link, door right	CC468-67913	1
9	Right door assembly	CC468-67913	1

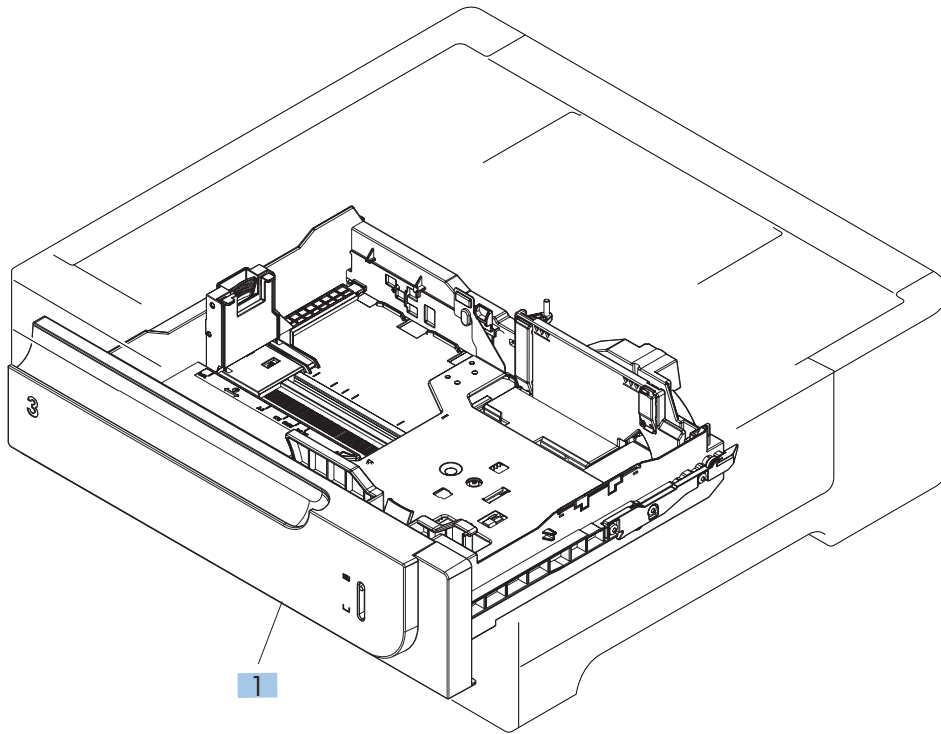


**Table 2-22 Paper feeder main body**

<b>Ref</b>	<b>Description</b>	<b>Part number</b>	<b>Qty</b>
1	Lifter base assembly	RM1-5913-000CN	1
2	Paper feed assembly	RM1-6194-030CN	1
4	Paper pickup assembly	RM1-5919-000CN	1
5	Paper feed roller assembly	CD644-67904	1
6	Roller, paper pickup	CD644-67904	1
13	Drawer connector	VS1-7257-007CN	1
14	Holder, drawer connector	RC2-5416-000CN	1

## Paper feeder tray

Figure 2-21 Tray

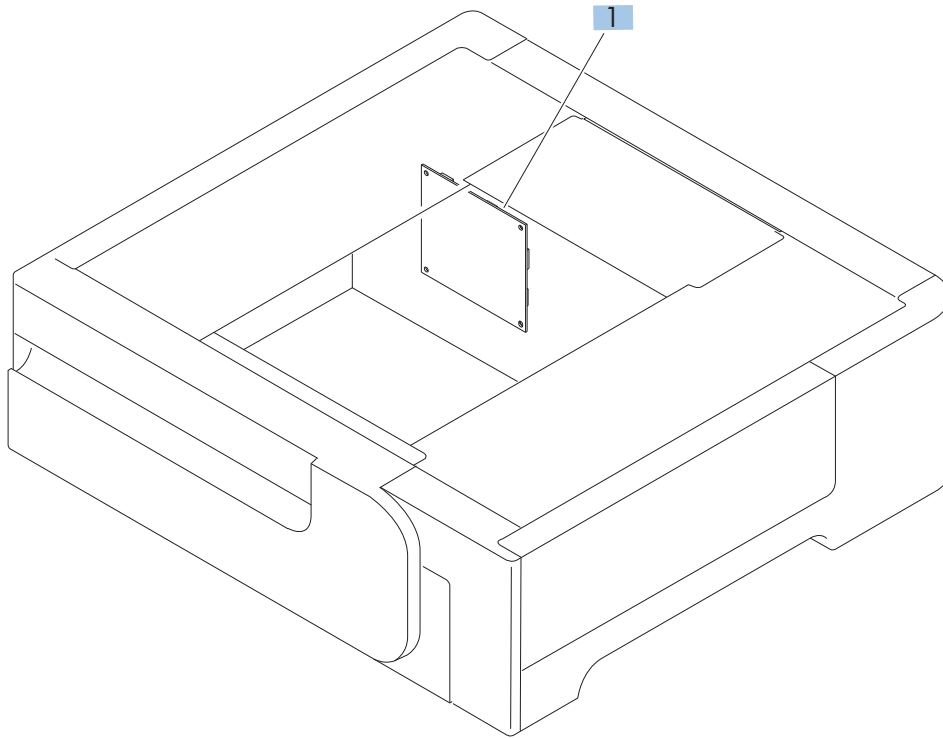


**Table 2-23 Tray**

<b>Ref</b>	<b>Description</b>	<b>Part number</b>	<b>Qty</b>
1	Tray 3	RM1-6198-000CN	1

## Paper feeder PCA

Figure 2-22 Paper feeder PCA



**Table 2-24 Paper feeder PCA**

<b>Ref</b>	<b>Description</b>	<b>Part number</b>	<b>Qty</b>
1	PCA, paper feeder driver (1 x 500)	RM1-5839-000CN	1

# Alphabetical parts list

**Table 2-25 Alphabetical parts list**

<b>Description</b>	<b>Part number</b>	<b>Table and page</b>
1 x 500-sheet feeder replacement kit	CF084-67901	<a href="#">1 x 500-sheet paper feeder on page 255</a>
ADF hinge assembly	Q7404-60024	<a href="#">ADF assemblies on page 231</a>
ADF roller cover	CC355-40013	<a href="#">ADF assemblies on page 231</a>
ADF separation pad spring	5851-4879	<a href="#">ADF assemblies on page 231</a>
ADF tray extender	Q7404-40020	<a href="#">ADF assemblies on page 231</a>
ADF whole unit	CD644-67918	<a href="#">ADF and scanner assemblies on page 227</a>
Arm, interlock link switch	RC2-5121-000CN	<a href="#">Internal assemblies (3 of 6) on page 241</a>
Arm, shutter front	RC2-4406-000CN	<a href="#">Internal assemblies (2 of 6) on page 239</a>
Arm, shutter rear	RC2-4407-030CN	<a href="#">Internal assemblies (2 of 6) on page 239</a>
Base assembly	RM1-8149-000CN	<a href="#">Internal assemblies (2 of 6) on page 239</a>
Button, power supply	RL1-1947-000CN	<a href="#">Internal assemblies (3 of 6) on page 241</a>
Cable harness merge assy	Q7404-50005	<a href="#">Scanner assemblies on page 233</a>
Cable, laser FCC 1	RK2-3941-000CN	<a href="#">Internal assemblies (5 of 6) on page 245</a>
Cable, laser FCC 2	RK2-3943-000CN	<a href="#">Internal assemblies (5 of 6) on page 245</a>
Cable, MP sensor assembly	RM1-5737-000CN	<a href="#">Internal assemblies (5 of 6) on page 245</a>
Cable, rear assembly	RM1-8084-000CN	<a href="#">Internal assemblies (5 of 6) on page 245</a>
Cartridge lock lever holder	RC2-5957-000CN	<a href="#">Internal assemblies (2 of 6) on page 239</a>
Cartridge lock lever holder	RC3-1075-000CN	<a href="#">Internal assemblies (2 of 6) on page 239</a>
Cartridge lock lever holder	RC2-5956-000CN	<a href="#">Internal assemblies (2 of 6) on page 239</a>
Cave light	CF116-60104	<a href="#">Scanner assemblies on page 233</a>

**Table 2-25 Alphabetical parts list (continued)**

<b>Description</b>	<b>Part number</b>	<b>Table and page</b>
Connecting cable assembly	RM1-5749-000CN	<a href="#">Internal assemblies (2 of 6) on page 239</a>
Connector, drawer	VS1-7258-007CN	<a href="#">Internal assemblies (6 of 6) on page 247</a>
Control panel	CD644-67916	<a href="#">ADF and scanner assemblies on page 227</a>
Control panel assembly kit	CD644-67916	<a href="#">Control panel assembly on page 229</a>
Control panel cover assembly	RM1-9198-000CN	<a href="#">External covers, panels, and doors on page 225</a>
Control-panel cable	CF116-60105	<a href="#">Control panel assembly on page 229</a>
Cover	RC2-5912-000CN	<a href="#">Internal assemblies (2 of 6) on page 239</a>
Cover	RC2-5962-000CN	<a href="#">Internal assemblies (2 of 6) on page 239</a>
Cover, ADF cable	5851-0630	<a href="#">Scanner assemblies on page 233</a>
Cover, ADF front	Q7404-40030	<a href="#">ADF assemblies on page 231</a>
Cover, ADF rear	Q7404-40007	<a href="#">ADF assemblies on page 231</a>
Cover, front inner lower	RL1-1915-000CN	<a href="#">Internal assemblies (1 of 6) on page 237</a>
Cover, front inner lower unit	RL1-1914-020CN	<a href="#">Internal assemblies (1 of 6) on page 237</a>
Cover, front inner upper	RC3-1070-000CN	<a href="#">Internal assemblies (1 of 6) on page 237</a>
Cover, front right	RC2-5426-000CN	<a href="#">Paper feeder covers on page 257</a>
Cover, front upper	RC2-5425-000CN	<a href="#">Paper feeder covers on page 257</a>
Cover, hatch	Q7404-40006	<a href="#">ADF assemblies on page 231</a>
Cover, image scanner unit	RRC3-2097-000CN	<a href="#">External covers, panels, and doors on page 225</a>
Cover, inner right lower	RC2-5019-000CN	<a href="#">Internal assemblies (3 of 6) on page 241</a>
Cover, left	RC2-5052-000CN	<a href="#">External covers, panels, and doors on page 225</a>
Cover, left	RC2-5428-000CN	<a href="#">Paper feeder covers on page 257</a>

**Table 2-25 Alphabetical parts list (continued)**

<b>Description</b>	<b>Part number</b>	<b>Table and page</b>
Cover, left front	RC2-5430-000CN	<a href="#">Paper feeder covers on page 257</a>
Cover, left lower	RC2-5069-000CN	<a href="#">External covers, panels, and doors on page 225</a>
Cover, left rear	RC3-2094-000CN	<a href="#">External covers, panels, and doors on page 225</a>
Cover, rear	RC2-5048-000CN	<a href="#">External covers, panels, and doors on page 225</a>
Cover, rear	RC2-5429-000CN	<a href="#">Paper feeder covers on page 257</a>
Cover, rear right	RC2-5057-000CN	<a href="#">External covers, panels, and doors on page 225</a>
Cover, rear scanner	CF116-40002	<a href="#">Scanner assemblies on page 233</a>
Cover, right	RC3-2095-000CN	<a href="#">External covers, panels, and doors on page 225</a>
Cover, right	RC2-5427-000CN	<a href="#">Paper feeder covers on page 257</a>
Cover, right door gear rear	RC2-4924-000CN	<a href="#">External covers, panels, and doors on page 225</a>
Cover, right front	RC2-5056-000CN	<a href="#">External covers, panels, and doors on page 225</a>
Cover, right lower	RC2-5059-000CN	<a href="#">External covers, panels, and doors on page 225</a>
Cover, right rear	RC3-2096-000CN	<a href="#">External covers, panels, and doors on page 225</a>
Cover, stapler switch	RC3-2116-000CN	<a href="#">Internal assemblies (1 of 6) on page 237</a>
Cover, stapler unit	RM1-9199-000CN	<a href="#">External covers, panels, and doors on page 225</a>
Cover, upper rear	RC3-2092-000CN	<a href="#">External covers, panels, and doors on page 225</a>
Cover, upper right	RC3-2093-000CN	<a href="#">External covers, panels, and doors on page 225</a>
DC Controller	RM1-8119-000CN	<a href="#">Internal assemblies (5 of 6) on page 245</a>
DC controller PCA	RM1-8104-000CN	<a href="#">PCAs on page 253</a>
Density detect assembly	RM1-8163-000CN	<a href="#">Internal assemblies (3 of 6) on page 241</a>

**Table 2-25 Alphabetical parts list (continued)**

<b>Description</b>	<b>Part number</b>	<b>Table and page</b>
Door switch assembly (SW2)	RM1-5732-000CN	<a href="#">Internal assemblies (3 of 6) on page 241</a>
Drawer connector	VS1-7257-007CN	<a href="#">Paper feeder main body on page 259</a>
Duplex drive assembly	RM1-4973-000CN	<a href="#">Internal assemblies (6 of 6) on page 247</a>
Duplexing paper feed assembly	RM1-4959-000CN	<a href="#">Right-door assembly on page 235</a>
Duplexing unit cable assembly	RM1-5730-000CN	<a href="#">Internal assemblies (6 of 6) on page 247</a>
Fan (FM1)	RK2-2416-000CN	<a href="#">Internal assemblies (5 of 6) on page 245</a>
Fan (FM2, FM3)	RK2-2418-000CN	<a href="#">Internal assemblies (2 of 6) on page 239</a>
Fan cable assembly	RM1-5746-000CN	<a href="#">Internal assemblies (2 of 6) on page 239</a>
Formatter assembly kit (China)	CD644-67910	<a href="#">PCAs on page 253</a>
Formatter assembly kit (New)	CD644-67909	<a href="#">PCAs on page 253</a>
Front lock arm assembly	RM1-5532-000CN	<a href="#">Internal assemblies (3 of 6) on page 241</a>
Fuser 110v	CD644-67906	<a href="#">Internal assemblies (3 of 6) on page 241</a>
Fuser 220v	CD644-67907	<a href="#">Internal assemblies (3 of 6) on page 241</a>
Fusing connecting cable assembly	RM1-5714-000CN	<a href="#">Internal assemblies (5 of 6) on page 245</a>
Fusing drive assembly	RM1-8134-000CN	<a href="#">Internal assemblies (6 of 6) on page 247</a>
Fusing motor assembly (M2)	RM1-4983-000CN	<a href="#">Internal assemblies (6 of 6) on page 247</a>
Guide, cable	RC3-2103-000CN	<a href="#">External covers, panels, and doors on page 225</a>
Guide, door latch right	RC2-4914-000CN	<a href="#">Internal assemblies (1 of 6) on page 237</a>
Guide, light	RC2-4426-000CN	<a href="#">Internal assemblies (1 of 6) on page 237</a>
Guide, option entrance	RC2-4915-000CN	<a href="#">Internal assemblies (3 of 6) on page 241</a>
Holder, cartridge lock lever	RC2-5955-000CN	<a href="#">Internal assemblies (2 of 6) on page 239</a>

**Table 2-25 Alphabetical parts list (continued)**

<b>Description</b>	<b>Part number</b>	<b>Table and page</b>
Holder, drawer connector	RC2-5416-000CN	<a href="#">Paper feeder main body on page 259</a>
Inner connecting PCA (ICB)	RM1-8143-000CN	<a href="#">PCAs on page 253</a>
Interconnect PCA (ICB)	RM1-8086-000CN	<a href="#">Internal assemblies (5 of 6) on page 245</a>
ITB kit	CD644-67908	<a href="#">Internal assemblies (3 of 6) on page 241</a>
Kit, Tray 1 roller (pickup roller and separation pad)	CD644-67903	<a href="#">Right-door assembly on page 235</a>
Left cable assembly	RM1-5742-000CN	<a href="#">Internal assemblies (1 of 6) on page 237</a>
Lever, box presence detect	RC2-5951-000CN	<a href="#">Internal assemblies (1 of 6) on page 237</a>
Lever, cartridge lock lever	RC2-5954-000CN	<a href="#">Internal assemblies (2 of 6) on page 239</a>
Lever, cartridge pressure front	RC2-3983-030CN	<a href="#">Internal assemblies (1 of 6) on page 237</a>
Lever, shutter	RC2-4415-000CN	<a href="#">Internal assemblies (2 of 6) on page 239</a>
Lever, switch	RC3-1208-000CN	<a href="#">Internal assemblies (3 of 6) on page 241</a>
Lifter base assembly	RM1-5913-000CN	<a href="#">Paper feeder main body on page 259</a>
Lifter drive assembly	RM1-4976-000CN	<a href="#">Internal assemblies (6 of 6) on page 247</a>
Link, door right	CC468-67913	<a href="#">Paper feeder covers on page 257</a>
Link, door stopper	RC2-4916-000CN	<a href="#">Internal assemblies (3 of 6) on page 241</a>
Link, door stopper	RC2-4916-000CN	<a href="#">Internal assemblies (5 of 6) on page 245</a>
Link, interlock	RC2-5119-000CN	<a href="#">Internal assemblies (3 of 6) on page 241</a>
Link, interlock	RC2-5118-000CN	<a href="#">Internal assemblies (3 of 6) on page 241</a>
Link, interlock (SW1)	RC2-5120-000CN	<a href="#">Internal assemblies (3 of 6) on page 241</a>
Lock, door	RC2-5937-000CN	<a href="#">Internal assemblies (1 of 6) on page 237</a>
Low-voltage power supply 110V	RM1-8102-000CN	<a href="#">PCAs on page 253</a>

**Table 2-25 Alphabetical parts list (continued)**

<b>Description</b>	<b>Part number</b>	<b>Table and page</b>
Low-voltage power supply 220V	RM1-8103-000CN	<a href="#">PCAs on page 253</a>
Lower HVPS (D)	RM1-8087-000CN	<a href="#">Internal assemblies (5 of 6) on page 245</a>
Lower HVPS-D PCA	RM1-8087-000CN	<a href="#">PCAs on page 253</a>
LVPS (110V)	RM1-8102-000CN	<a href="#">Internal assemblies (5 of 6) on page 245</a>
LVPS (220V)	RM1-8103-000CN	<a href="#">Internal assemblies (5 of 6) on page 245</a>
Main motor unit (M3, M4, M5)	RM1-8105-000CN	<a href="#">Internal assemblies (6 of 6) on page 247</a>
Microswitch (SW3)	WC4-5171-000CN	<a href="#">Internal assemblies (3 of 6) on page 241</a>
Motor/sensor cable assembly	RM1-5752-000CN	<a href="#">Internal assemblies (2 of 6) on page 239</a>
Mount, interlock switch	RC2-5123-000CN	<a href="#">Internal assemblies (3 of 6) on page 241</a>
Paper delivery assembly	RM1-4970-060CN	<a href="#">Internal assemblies (3 of 6) on page 241</a>
Paper feed assembly	RM1-6194-030CN	<a href="#">Paper feeder main body on page 259</a>
Paper feed roller assembly	CD644-67904	<a href="#">Paper feeder main body on page 259</a>
Paper pick up assembly	RM1-4967-000CN	<a href="#">Internal assemblies (3 of 6) on page 241</a>
Paper pick up drive assembly	RM1-8135-000CN	<a href="#">Internal assemblies (6 of 6) on page 247</a>
Paper pickup assembly	RM1-4967-000CN	<a href="#">Paper pickup assembly (Tray 2) on page 251</a>
Paper pickup assembly	RM1-5919-000CN	<a href="#">Paper feeder main body on page 259</a>
PCA, paper feeder driver (1 x 500)	RM1-5839-000CN	<a href="#">Paper feeder PCA on page 263</a>
PCA, scanner memory	CF116-67923	<a href="#">Scanner assemblies on page 233</a>
Photo interrupter (SR5)	WG8-5935-000CN	<a href="#">Internal assemblies (6 of 6) on page 247</a>
Photointerrupter	WG8-5935-000CN	<a href="#">Paper pickup assembly (Tray 2) on page 251</a>
Pick up lower guide assembly	RM1-9192-000CN	<a href="#">Internal assemblies (3 of 6) on page 241</a>

**Table 2-25 Alphabetical parts list (continued)**

<b>Description</b>	<b>Part number</b>	<b>Table and page</b>
Pickup motor assembly (M13)	RM1-5773-000CN	<a href="#">Internal assemblies (6 of 6) on page 247</a>
Pickup roller	RM1-4968-040CN	<a href="#">Paper pickup assembly (Tray 2) on page 251</a>
Plate, blanking	RC2-5938-000CN	<a href="#">External covers, panels, and doors on page 225</a>
Rear handle	RC2-5042-000CN	<a href="#">Internal assemblies (5 of 6) on page 245</a>
Rear lock arm assembly	RM1-5533-000CN	<a href="#">Internal assemblies (3 of 6) on page 241</a>
Rear Pre-exposure PCA assembly	RM1-8174-000CN	<a href="#">Internal assemblies (6 of 6) on page 247</a>
Registration assembly	RM1-4969-000CN	<a href="#">Internal assemblies (3 of 6) on page 241</a>
Right door assembly	RM1-8123-000CN	<a href="#">Right-door assembly on page 235</a>
Right door assembly	CC468-67913	<a href="#">Paper feeder covers on page 257</a>
Roller, paper pickup	CD644-67904	<a href="#">Paper feeder main body on page 259</a>
Scanner whole unit	CD644-67922	<a href="#">ADF and scanner assemblies on page 227</a>
Secondary transfer assembly	RM1-4952-030CN	<a href="#">Internal assemblies (3 of 6) on page 241</a>
Secondary transfer roller	CD644-67914	<a href="#">Internal assemblies (3 of 6) on page 241</a>
Sensor cable assembly	RM1-5740-000CN	<a href="#">Internal assemblies (2 of 6) on page 239</a>
Sensor cable assembly	RM1-5741-000CN	<a href="#">Internal assemblies (2 of 6) on page 239</a>
Sensor cable guide assembly (SR7)	RM1-8178-000CN	<a href="#">Internal assemblies (3 of 6) on page 241</a>
Separation roller assembly (part of roller kit)	CD644-67904	<a href="#">Tray 2 on page 249</a>
Separation roller assy (part of roller kit)	RM1-4966-020CN	<a href="#">Internal assemblies (2 of 6) on page 239</a>
Shaft	RC2-5913-000CN	<a href="#">Internal assemblies (3 of 6) on page 241</a>
Shutter assembly	RM1-4999-000CN	<a href="#">Internal assemblies (2 of 6) on page 239</a>

**Table 2-25 Alphabetical parts list (continued)**

<b>Description</b>	<b>Part number</b>	<b>Table and page</b>
Shutter assembly	RM1-5488-000CN	<a href="#">Internal assemblies (2 of 6) on page 239</a>
Spring	RC3-1212-000CN	<a href="#">Internal assemblies (3 of 6) on page 241</a>
Spring, compression	RU6-2567-000CN	<a href="#">Internal assemblies (1 of 6) on page 237</a>
Spring, compression	RU6-2568-000CN	<a href="#">Internal assemblies (1 of 6) on page 237</a>
Spring, compression	RU6-2318-000CN	<a href="#">Internal assemblies (2 of 6) on page 239</a>
Spring, compression	RU6-2316-000CN	<a href="#">Internal assemblies (2 of 6) on page 239</a>
Spring, compression	RC2-5021-000CN	<a href="#">Internal assemblies (5 of 6) on page 245</a>
Spring, compression	RU7-2193-000CN	<a href="#">Internal assemblies (6 of 6) on page 247</a>
Spring, ground	RU6-2237-000CN	<a href="#">Internal assemblies (1 of 6) on page 237</a>
Spring, grounding	RC2-5148-000CN	<a href="#">Internal assemblies (5 of 6) on page 245</a>
Spring, tension	RU7-2192-000CN	<a href="#">Internal assemblies (1 of 6) on page 237</a>
Spring, tension	RU6-2436-000CN	<a href="#">Internal assemblies (2 of 6) on page 239</a>
Spring, tension	RU6-2405-000CN	<a href="#">Internal assemblies (6 of 6) on page 247</a>
Spring, torsion	RC2-5958-000CN	<a href="#">Internal assemblies (2 of 6) on page 239</a>
Spring, torsion	RC2-4378-000CN	<a href="#">Internal assemblies (3 of 6) on page 241</a>
Spring, torsion	RU6-2268-000CN	<a href="#">Internal assemblies (3 of 6) on page 241</a>
Spring, torsion	RC2-4377-000CN	<a href="#">Internal assemblies (3 of 6) on page 241</a>
Spring, torsion	RC2-5122-000CN	<a href="#">Internal assemblies (3 of 6) on page 241</a>
Stand assembly	RM1-5588-000CN	<a href="#">Internal assemblies (2 of 6) on page 239</a>
Stepping motor, DC (M10)	RK2-2415-000CN	<a href="#">Internal assemblies (6 of 6) on page 247</a>

**Table 2-25 Alphabetical parts list (continued)**

<b>Description</b>	<b>Part number</b>	<b>Table and page</b>
Stopper, door	CC468-67913	<a href="#">Paper feeder covers on page 257</a>
Switch arm	RC2-5943-000CN	<a href="#">Internal assemblies (5 of 6) on page 245</a>
Switch cable assembly	RM1-8065-000CN	<a href="#">Internal assemblies (3 of 6) on page 241</a>
Switch PCA assembly	RM1-8097-000CN	<a href="#">Internal assemblies (3 of 6) on page 241</a>
Temperature sensor unit	RK2-3267-000CN	<a href="#">Internal assemblies (2 of 6) on page 239</a>
Toner collection unit (TCU)	RM1-4989-000CN	<a href="#">Internal assemblies (1 of 6) on page 237</a>
Toner sensor holder assembly	RM1-5700-000CN	<a href="#">Internal assemblies (2 of 6) on page 239</a>
Tray 2	RM1-4962-060CN	<a href="#">Internal assemblies (2 of 6) on page 239</a>
Tray 2	RM1-6198-000CN	<a href="#">Tray 2 on page 249</a>
Tray 3	RM1-6198-000CN	<a href="#">Tray on page 261</a>
Tray, paper delivery	RL1-1941-030CN	<a href="#">External covers, panels, and doors on page 225</a>
Upper HVPS (T)	RM1-8088-000CN	<a href="#">Internal assemblies (5 of 6) on page 245</a>
Upper HVPS-T PCA	RM1-8088-000CN	<a href="#">PCAs on page 253</a>
Waste toner box seal	RC2-4780-000CN	<a href="#">Internal assemblies (1 of 6) on page 237</a>
Waste toner detect assembly	RM1-5696-000CN	<a href="#">Internal assemblies (1 of 6) on page 237</a>
Waste toner duct assembly	RM1-8138-000CN	<a href="#">Internal assemblies (1 of 6) on page 237</a>
Wire (mech) sensor project	RC2-4828-000CN	<a href="#">Internal assemblies (3 of 6) on page 241</a>

# Numerical parts list

**Table 2-26 Numerical parts list**

<b>Part number</b>	<b>Description</b>	<b>Table and page</b>
5851-0630	Cover, ADF cable	<a href="#">Scanner assemblies on page 233</a>
5851-4879	ADF separation pad spring	<a href="#">ADF assemblies on page 231</a>
CC355-40013	ADF roller cover	<a href="#">ADF assemblies on page 231</a>
CC468-67913	Stopper, door	<a href="#">Paper feeder covers on page 257</a>
CC468-67913	Link, door right	<a href="#">Paper feeder covers on page 257</a>
CC468-67913	Right door assembly	<a href="#">Paper feeder covers on page 257</a>
CD644-67903	Kit, Tray 1 roller (pickup roller and separation pad)	<a href="#">Right-door assembly on page 235</a>
CD644-67904	Separation roller assembly (part of roller kit)	<a href="#">Tray 2 on page 249</a>
CD644-67904	Paper feed roller assembly	<a href="#">Paper feeder main body on page 259</a>
CD644-67904	Roller, paper pickup	<a href="#">Paper feeder main body on page 259</a>
CD644-67906	Fuser 110v	<a href="#">Internal assemblies (3 of 6) on page 241</a>
CD644-67907	Fuser 220v	<a href="#">Internal assemblies (3 of 6) on page 241</a>
CD644-67908	ITB kit	<a href="#">Internal assemblies (3 of 6) on page 241</a>
CD644-67909	Formatter assembly kit (New)	<a href="#">PCAs on page 253</a>
CD644-67910	Formatter assembly kit (China)	<a href="#">PCAs on page 253</a>
CD644-67914	Secondary transfer roller	<a href="#">Internal assemblies (3 of 6) on page 241</a>
CD644-67916	Control panel	<a href="#">ADF and scanner assemblies on page 227</a>
CD644-67916	Control panel assembly kit	<a href="#">Control panel assembly on page 229</a>
CD644-67918	ADF whole unit	<a href="#">ADF and scanner assemblies on page 227</a>
CD644-67922	Scanner whole unit	<a href="#">ADF and scanner assemblies on page 227</a>
CF084-67901	1 x 500-sheet feeder replacement kit	<a href="#">1 x 500-sheet paper feeder on page 255</a>

**Table 2-26 Numerical parts list (continued)**

<b>Part number</b>	<b>Description</b>	<b>Table and page</b>
CF116-40002	Cover, rear scanner	<a href="#">Scanner assemblies on page 233</a>
CF116-60104	Cave light	<a href="#">Scanner assemblies on page 233</a>
CF116-60105	Control-panel cable	<a href="#">Control panel assembly on page 229</a>
CF116-67923	PCA, scanner memory	<a href="#">Scanner assemblies on page 233</a>
Q7404-40006	Cover, hatch	<a href="#">ADF assemblies on page 231</a>
Q7404-40007	Cover, ADF rear	<a href="#">ADF assemblies on page 231</a>
Q7404-40020	ADF tray extender	<a href="#">ADF assemblies on page 231</a>
Q7404-40030	Cover, ADF front	<a href="#">ADF assemblies on page 231</a>
Q7404-50005	Cable harness merge assy	<a href="#">Scanner assemblies on page 233</a>
Q7404-60024	ADF hinge assembly	<a href="#">ADF assemblies on page 231</a>
RC2-3983-030CN	Lever, cartridge pressure front	<a href="#">Internal assemblies (1 of 6) on page 237</a>
RC2-4377-000CN	Spring, torsion	<a href="#">Internal assemblies (3 of 6) on page 241</a>
RC2-4378-000CN	Spring, torsion	<a href="#">Internal assemblies (3 of 6) on page 241</a>
RC2-4406-000CN	Arm, shutter front	<a href="#">Internal assemblies (2 of 6) on page 239</a>
RC2-4407-030CN	Arm, shutter rear	<a href="#">Internal assemblies (2 of 6) on page 239</a>
RC2-4415-000CN	Lever, shutter	<a href="#">Internal assemblies (2 of 6) on page 239</a>
RC2-4426-000CN	Guide, light	<a href="#">Internal assemblies (1 of 6) on page 237</a>
RC2-4780-000CN	Waste toner box seal	<a href="#">Internal assemblies (1 of 6) on page 237</a>
RC2-4828-000CN	Wire (mech) sensor project	<a href="#">Internal assemblies (3 of 6) on page 241</a>
RC2-4914-000CN	Guide, door latch right	<a href="#">Internal assemblies (1 of 6) on page 237</a>
RC2-4915-000CN	Guide, option entrance	<a href="#">Internal assemblies (3 of 6) on page 241</a>
RC2-4916-000CN	Link, door stopper	<a href="#">Internal assemblies (3 of 6) on page 241</a>

**Table 2-26 Numerical parts list (continued)**

<b>Part number</b>	<b>Description</b>	<b>Table and page</b>
RC2-4916-000CN	Link, door stopper	<a href="#">Internal assemblies (5 of 6) on page 245</a>
RC2-4924-000CN	Cover, right door gear rear	<a href="#">External covers, panels, and doors on page 225</a>
RC2-5019-000CN	Cover, inner right lower	<a href="#">Internal assemblies (3 of 6) on page 241</a>
RC2-5021-000CN	Spring, compression	<a href="#">Internal assemblies (5 of 6) on page 245</a>
RC2-5042-000CN	Rear handle	<a href="#">Internal assemblies (5 of 6) on page 245</a>
RC2-5048-000CN	Cover, rear	<a href="#">External covers, panels, and doors on page 225</a>
RC2-5052-000CN	Cover, left	<a href="#">External covers, panels, and doors on page 225</a>
RC2-5056-000CN	Cover, right front	<a href="#">External covers, panels, and doors on page 225</a>
RC2-5057-000CN	Cover, rear right	<a href="#">External covers, panels, and doors on page 225</a>
RC2-5059-000CN	Cover, right lower	<a href="#">External covers, panels, and doors on page 225</a>
RC2-5069-000CN	Cover, left lower	<a href="#">External covers, panels, and doors on page 225</a>
RC2-5118-000CN	Link, interlock	<a href="#">Internal assemblies (3 of 6) on page 241</a>
RC2-5119-000CN	Link, interlock	<a href="#">Internal assemblies (3 of 6) on page 241</a>
RC2-5120-000CN	Link, interlock (SW1)	<a href="#">Internal assemblies (3 of 6) on page 241</a>
RC2-5121-000CN	Arm, interlock link switch	<a href="#">Internal assemblies (3 of 6) on page 241</a>
RC2-5122-000CN	Spring, torsion	<a href="#">Internal assemblies (3 of 6) on page 241</a>
RC2-5123-000CN	Mount, interlock switch	<a href="#">Internal assemblies (3 of 6) on page 241</a>
RC2-5148-000CN	Spring, grounding	<a href="#">Internal assemblies (5 of 6) on page 245</a>
RC2-5416-000CN	Holder, drawer connector	<a href="#">Paper feeder main body on page 259</a>
RC2-5425-000CN	Cover, front upper	<a href="#">Paper feeder covers on page 257</a>

**Table 2-26 Numerical parts list (continued)**

<b>Part number</b>	<b>Description</b>	<b>Table and page</b>
RC2-5426-000CN	Cover, front right	<a href="#">Paper feeder covers on page 257</a>
RC2-5427-000CN	Cover, right	<a href="#">Paper feeder covers on page 257</a>
RC2-5428-000CN	Cover, left	<a href="#">Paper feeder covers on page 257</a>
RC2-5429-000CN	Cover, rear	<a href="#">Paper feeder covers on page 257</a>
RC2-5430-000CN	Cover, left front	<a href="#">Paper feeder covers on page 257</a>
RC2-5912-000CN	Cover	<a href="#">Internal assemblies (2 of 6) on page 239</a>
RC2-5913-000CN	Shaft	<a href="#">Internal assemblies (3 of 6) on page 241</a>
RC2-5937-000CN	Lock, door	<a href="#">Internal assemblies (1 of 6) on page 237</a>
RC2-5938-000CN	Plate, blanking	<a href="#">External covers, panels, and doors on page 225</a>
RC2-5943-000CN	Switch arm	<a href="#">Internal assemblies (5 of 6) on page 245</a>
RC2-5951-000CN	Lever, box presence detect	<a href="#">Internal assemblies (1 of 6) on page 237</a>
RC2-5954-000CN	Lever, cartridge lock lever	<a href="#">Internal assemblies (2 of 6) on page 239</a>
RC2-5955-000CN	Holder, cartridge lock lever	<a href="#">Internal assemblies (2 of 6) on page 239</a>
RC2-5956-000CN	Cartridge lock lever holder	<a href="#">Internal assemblies (2 of 6) on page 239</a>
RC2-5957-000CN	Cartridge lock lever holder	<a href="#">Internal assemblies (2 of 6) on page 239</a>
RC2-5958-000CN	Spring, torsion	<a href="#">Internal assemblies (2 of 6) on page 239</a>
RC2-5962-000CN	Cover	<a href="#">Internal assemblies (2 of 6) on page 239</a>
RC3-1070-000CN	Cover, front inner upper	<a href="#">Internal assemblies (1 of 6) on page 237</a>
RC3-1075-000CN	Cartridge lock lever holder	<a href="#">Internal assemblies (2 of 6) on page 239</a>
RC3-1208-000CN	Lever, switch	<a href="#">Internal assemblies (3 of 6) on page 241</a>

**Table 2-26 Numerical parts list (continued)**

<b>Part number</b>	<b>Description</b>	<b>Table and page</b>
RC3-1212-000CN	Spring	<a href="#">Internal assemblies (3 of 6) on page 241</a>
RC3-2092-000CN	Cover, upper rear	<a href="#">External covers, panels, and doors on page 225</a>
RC3-2093-000CN	Cover, upper right	<a href="#">External covers, panels, and doors on page 225</a>
RC3-2094-000CN	Cover, left rear	<a href="#">External covers, panels, and doors on page 225</a>
RC3-2095-000CN	Cover, right	<a href="#">External covers, panels, and doors on page 225</a>
RC3-2096-000CN	Cover, right rear	<a href="#">External covers, panels, and doors on page 225</a>
RC3-2103-000CN	Guide, cable	<a href="#">External covers, panels, and doors on page 225</a>
RC3-2116-000CN	Cover, stapler switch	<a href="#">Internal assemblies (1 of 6) on page 237</a>
RK2-2415-000CN	Stepping motor, DC (M10)	<a href="#">Internal assemblies (6 of 6) on page 247</a>
RK2-2416-000CN	Fan (FM1)	<a href="#">Internal assemblies (5 of 6) on page 245</a>
RK2-2418-000CN	Fan (FM2, FM3)	<a href="#">Internal assemblies (2 of 6) on page 239</a>
RK2-3267-000CN	Temperature sensor unit	<a href="#">Internal assemblies (2 of 6) on page 239</a>
RK2-3941-000CN	Cable, laser FCC 1	<a href="#">Internal assemblies (5 of 6) on page 245</a>
RK2-3943-000CN	Cable, laser FCC 2	<a href="#">Internal assemblies (5 of 6) on page 245</a>
RL1-1914-020CN	Cover, front inner lower unit	<a href="#">Internal assemblies (1 of 6) on page 237</a>
RL1-1915-000CN	Cover, front inner lower	<a href="#">Internal assemblies (1 of 6) on page 237</a>
RL1-1941-030CN	Tray, paper delivery	<a href="#">External covers, panels, and doors on page 225</a>
RL1-1947-000CN	Button, power supply	<a href="#">Internal assemblies (3 of 6) on page 241</a>
RM1-4952-030CN	Secondary transfer assembly	<a href="#">Internal assemblies (3 of 6) on page 241</a>
RM1-4959-000CN	Duplexing paper feed assembly	<a href="#">Right-door assembly on page 235</a>

**Table 2-26 Numerical parts list (continued)**

<b>Part number</b>	<b>Description</b>	<b>Table and page</b>
RM1-4962-060CN	Tray 2	<a href="#">Internal assemblies (2 of 6) on page 239</a>
RM1-4966-020CN	Separation roller assy (part of roller kit)	<a href="#">Internal assemblies (2 of 6) on page 239</a>
RM1-4967-000CN	Paper pick up assembly	<a href="#">Internal assemblies (3 of 6) on page 241</a>
RM1-4967-000CN	Paper pickup assembly	<a href="#">Paper pickup assembly (Tray 2) on page 251</a>
RM1-4968-040CN	Pickup roller	<a href="#">Paper pickup assembly (Tray 2) on page 251</a>
RM1-4969-000CN	Registration assembly	<a href="#">Internal assemblies (3 of 6) on page 241</a>
RM1-4970-060CN	Paper delivery assembly	<a href="#">Internal assemblies (3 of 6) on page 241</a>
RM1-4973-000CN	Duplex drive assembly	<a href="#">Internal assemblies (6 of 6) on page 247</a>
RM1-4976-000CN	Lifter drive assembly	<a href="#">Internal assemblies (6 of 6) on page 247</a>
RM1-4983-000CN	Fusing motor assembly (M2)	<a href="#">Internal assemblies (6 of 6) on page 247</a>
RM1-4989-000CN	Toner collection unit (TCU)	<a href="#">Internal assemblies (1 of 6) on page 237</a>
RM1-4999-000CN	Shutter assembly	<a href="#">Internal assemblies (2 of 6) on page 239</a>
RM1-5488-000CN	Shutter assembly	<a href="#">Internal assemblies (2 of 6) on page 239</a>
RM1-5532-000CN	Front lock arm assembly	<a href="#">Internal assemblies (3 of 6) on page 241</a>
RM1-5533-000CN	Rear lock arm assembly	<a href="#">Internal assemblies (3 of 6) on page 241</a>
RM1-5588-000CN	Stand assembly	<a href="#">Internal assemblies (2 of 6) on page 239</a>
RM1-5696-000CN	Waste toner detect assembly	<a href="#">Internal assemblies (1 of 6) on page 237</a>
RM1-5700-000CN	Toner sensor holder assembly	<a href="#">Internal assemblies (2 of 6) on page 239</a>
RM1-5714-000CN	Fusing connecting cable assembly	<a href="#">Internal assemblies (5 of 6) on page 245</a>
RM1-5730-000CN	Duplexing unit cable assembly	<a href="#">Internal assemblies (6 of 6) on page 247</a>

**Table 2-26 Numerical parts list (continued)**

<b>Part number</b>	<b>Description</b>	<b>Table and page</b>
RM1-5732-000CN	Door switch assembly (SW2)	<a href="#">Internal assemblies (3 of 6) on page 241</a>
RM1-5737-000CN	Cable, MP sensor assembly	<a href="#">Internal assemblies (5 of 6) on page 245</a>
RM1-5740-000CN	Sensor cable assembly	<a href="#">Internal assemblies (2 of 6) on page 239</a>
RM1-5741-000CN	Sensor cable assembly	<a href="#">Internal assemblies (2 of 6) on page 239</a>
RM1-5742-000CN	Left cable assembly	<a href="#">Internal assemblies (1 of 6) on page 237</a>
RM1-5746-000CN	Fan cable assembly	<a href="#">Internal assemblies (2 of 6) on page 239</a>
RM1-5749-000CN	Connecting cable assembly	<a href="#">Internal assemblies (2 of 6) on page 239</a>
RM1-5752-000CN	Motor/sensor cable assembly	<a href="#">Internal assemblies (2 of 6) on page 239</a>
RM1-5773-000CN	Pickup motor assembly (M13)	<a href="#">Internal assemblies (6 of 6) on page 247</a>
RM1-5839-000CN	PCA, paper feeder driver (1 x 500)	<a href="#">Paper feeder PCA on page 263</a>
RM1-5913-000CN	Lifter base assembly	<a href="#">Paper feeder main body on page 259</a>
RM1-5919-000CN	Paper pickup assembly	<a href="#">Paper feeder main body on page 259</a>
RM1-6194-030CN	Paper feed assembly	<a href="#">Paper feeder main body on page 259</a>
RM1-6198-000CN	Tray 2	<a href="#">Tray 2 on page 249</a>
RM1-6198-000CN	Tray 3	<a href="#">Tray on page 261</a>
RM1-8065-000CN	Switch cable assembly	<a href="#">Internal assemblies (3 of 6) on page 241</a>
RM1-8084-000CN	Cable, rear assembly	<a href="#">Internal assemblies (5 of 6) on page 245</a>
RM1-8086-000CN	Interconnect PCA (ICB)	<a href="#">Internal assemblies (5 of 6) on page 245</a>
RM1-8087-000CN	Lower HVPS (D)	<a href="#">Internal assemblies (5 of 6) on page 245</a>
RM1-8087-000CN	Lower HVPS-D PCA	<a href="#">PCAs on page 253</a>
RM1-8088-000CN	Upper HVPS (T)	<a href="#">Internal assemblies (5 of 6) on page 245</a>

**Table 2-26 Numerical parts list (continued)**

<b>Part number</b>	<b>Description</b>	<b>Table and page</b>
RM1-8088-000CN	Upper HVPS-T PCA	<a href="#">PCAs on page 253</a>
RM1-8097-000CN	Switch PCA assembly	<a href="#">Internal assemblies (3 of 6) on page 241</a>
RM1-8102-000CN	LVPS (110V)	<a href="#">Internal assemblies (5 of 6) on page 245</a>
RM1-8102-000CN	Low-voltage power supply 110V	<a href="#">PCAs on page 253</a>
RM1-8103-000CN	LVPS (220V)	<a href="#">Internal assemblies (5 of 6) on page 245</a>
RM1-8103-000CN	Low-voltage power supply 220V	<a href="#">PCAs on page 253</a>
RM1-8104-000CN	DC controller PCA	<a href="#">PCAs on page 253</a>
RM1-8105-000CN	Main motor unit (M3, M4, M5)	<a href="#">Internal assemblies (6 of 6) on page 247</a>
RM1-8119-000CN	DC Controller	<a href="#">Internal assemblies (5 of 6) on page 245</a>
RM1-8123-000CN	Right door assembly	<a href="#">Right-door assembly on page 235</a>
RM1-8134-000CN	Fusing drive assembly	<a href="#">Internal assemblies (6 of 6) on page 247</a>
RM1-8135-000CN	Paper pick up drive assembly	<a href="#">Internal assemblies (6 of 6) on page 247</a>
RM1-8138-000CN	Waste toner duct assembly	<a href="#">Internal assemblies (1 of 6) on page 237</a>
RM1-8143-000CN	Inner connecting PCA (ICB)	<a href="#">PCAs on page 253</a>
RM1-8149-000CN	Base assembly	<a href="#">Internal assemblies (2 of 6) on page 239</a>
RM1-8163-000CN	Density detect assembly	<a href="#">Internal assemblies (3 of 6) on page 241</a>
RM1-8174-000CN	Rear Pre-exposure PCA assembly	<a href="#">Internal assemblies (6 of 6) on page 247</a>
RM1-8178-000CN	Sensor cable guide assembly (SR7)	<a href="#">Internal assemblies (3 of 6) on page 241</a>
RM1-9192-000CN	Pick up lower guide assembly	<a href="#">Internal assemblies (3 of 6) on page 241</a>
RM1-9198-000CN	Control panel cover assembly	<a href="#">External covers, panels, and doors on page 225</a>
RM1-9199-000CN	Cover, stapler unit	<a href="#">External covers, panels, and doors on page 225</a>
RRC3-2097-000CN	Cover, image scanner unit	<a href="#">External covers, panels, and doors on page 225</a>

**Table 2-26 Numerical parts list (continued)**

<b>Part number</b>	<b>Description</b>	<b>Table and page</b>
RU6-2237-000CN	Spring, ground	<a href="#">Internal assemblies (1 of 6) on page 237</a>
RU6-2268-000CN	Spring, torsion	<a href="#">Internal assemblies (3 of 6) on page 241</a>
RU6-2316-000CN	Spring, compression	<a href="#">Internal assemblies (2 of 6) on page 239</a>
RU6-2318-000CN	Spring, compression	<a href="#">Internal assemblies (2 of 6) on page 239</a>
RU6-2405-000CN	Spring, tension	<a href="#">Internal assemblies (6 of 6) on page 247</a>
RU6-2436-000CN	Spring, tension	<a href="#">Internal assemblies (2 of 6) on page 239</a>
RU6-2567-000CN	Spring, compression	<a href="#">Internal assemblies (1 of 6) on page 237</a>
RU6-2568-000CN	Spring, compression	<a href="#">Internal assemblies (1 of 6) on page 237</a>
RU7-2192-000CN	Spring, tension	<a href="#">Internal assemblies (1 of 6) on page 237</a>
RU7-2193-000CN	Spring, compression	<a href="#">Internal assemblies (6 of 6) on page 247</a>
VS1-7257-007CN	Drawer connector	<a href="#">Paper feeder main body on page 259</a>
VS1-7258-007CN	Connector, drawer	<a href="#">Internal assemblies (6 of 6) on page 247</a>
WC4-5171-000CN	Microswitch (SW3)	<a href="#">Internal assemblies (3 of 6) on page 241</a>
WG8-5935-000CN	Photo interrupter (SR5)	<a href="#">Internal assemblies (6 of 6) on page 247</a>
WG8-5935-000CN	Photointerrupter	<a href="#">Paper pickup assembly (Tray 2) on page 251</a>



# Index

## A

- accessories
  - ordering 214
  - part numbers 215
- ADF front cover
  - removing 83
- ADF hinge assy
  - removing 100
- ADF jam-access cover
  - removing 91
- ADF PCA
  - removing 90
- ADF rear cover
  - removing 85
- ADF roller cover
  - removing 94
- ADF tray extender
  - removing 89
- ADF whole unit kit
  - removing 97
- after service checklist 6

## C

- cartridges
  - removing 11
- cartridges, print
  - part numbers 215, 216
- cassette
  - tray 2, removing 23
  - tray 3, removing 23
- cautions iii
- checklists
  - after service 6
  - preservice 6
- components
  - Registration density (RD) sensor assembly, removing 137

- residual-toner-feed motor,
  - removing 126
- toner-collection sensor,
  - removing 123
- control panel
  - removing 44
- conventions, document iii
- covers
  - delivery cover, removing 73
  - front-door assembly, removing 37
  - front-top, removing 79
  - front-upper cover, removing 52
  - left, removing 61
  - left-upper cover, removing 66
  - rear cover, removing 67
  - rear-toptop, removing 81
  - rear-upper cover, removing 64
  - right-door assembly, removing 55
  - right-front, removing 69
  - right-rear, removing 59
  - right-top cover, removing 75
  - stapler, removing 54

## D

- DC controller PCA and tray,
  - removing 110
- delivery assembly
  - removing 204
- delivery cover, removing 73
- deskew mylar
  - removing 87
- diagrams 213
- document conventions iii
- drawer connector
  - drawer connector, removing 211

- duplexing unit
  - duplex-drive assembly,
    - removing 209

## E

- electrostatic discharge (ESD) 3
- ESD (electrostatic discharge) 3

## F

- fans
  - cartridge, removing 118
  - delivery, removing 118
  - power-supply fan and fan duct,
    - removing 141
- fasteners
  - screws 220
- fax PCA, removing 18
- formatter
  - PCA, removing 17
- front-door assembly, removing 37
- front-top cover, removing 79
- front-upper cover, removing 52
- fuser
  - drive assembly, removing 199
  - motor, removing 187

## H

- hardward integration pocket
  - removing 51
- high-voltage power supply
  - removing, lower 149
  - removing, upper 181
- HIP
  - removing 51

## I

- ICB, removing 108
- image scanner whole unit kit
  - removing 103

intermediate transfer belt (ITB) 34

## L

laser/scanner

assembly (C/Bk), removing  
173

assembly (Y/M), removing  
166

left cover, removing 61

left-upper cover, removing 66

lifter-drive assembly  
removing 155

location

optional trays or accessories  
(base product) 223

LVPS, removing 113

## M

main-drive assembly

removing 188

motors

developing-disengagement,  
removing 152

drum motor 1, removing 185

drum motor 2 or 3, removing  
186

fuser, removing 187

pickup, removing 154

## N

notes iii

## O

ordering

part numbers for 215

product documents 220

supplies and accessories 214

## P

part numbers

print cartridges 215, 216

screws 220

toner collection unit 216

parts 213

control panel 228

optional trays or accessories  
(base product) 223

parts lists and diagrams

covers 224

internal assemblies 236, 238,  
240, 242, 244, 246

using 221

pliers, required 3

post-service tests 7

preservice checklist 6

print cartridges

part numbers 215, 216

print-quality test 7

## R

rear cover, removing 67

rear-top cover, removing 81

rear-upper cover, removing 64

registration assembly

removing 144

Registration density (RD) sensor

assembly, removing 137

removing parts

ADF front cover 83

ADF hinge assy 100

ADF jam-access cover 91

ADF PCA 90

ADF rear cover 85

ADF roller cover 94

ADF tray extender 89

ADF whole unit kit 97

cartridge fan 118

cautions for 2

checklists 6

DC controller PCA and tray  
110

delivery assembly 204

delivery cover 73

delivery fan 118

deskew mylar 87

developing-disengagement  
motor 152

drawer connector 211

drum motor 1 185

drum motor 2 or 3 186

duplex-drive assembly 209

environmental sensor 118

fax PCA 18

formatter PCA 17

front-door assembly 37

front-top cover 79

front-upper cover 52

fuser 24

fuser motor 187

fuser-drive assembly 199

hardward integration pocket  
51

high-voltage power supply  
lower 149

high-voltage power supply  
upper 181

ICB 108

image scanner whole unit kit  
103

intermediate transfer belt 34

laser/scanner assembly (C/  
Bk) 173

laser/scanner assembly (Y/  
M) 166

left cover 61

left-upper cover 66

lifter-drive assembly 155

LVPS 113

main-drive assembly 188

pickup motor 154

pickup roller (tray 1) 25

pickup roller (tray 2) 27

power-supply fan and fan  
duct 141

rear cover 67

rear-top cover 81

rear-upper cover 64

registration assembly 144

Registration density (RD) sensor  
assembly 137

residual-toner-feed motor 126

right-door assembly 55

right-front cover 69

right-rear cover 59

right-top cover 75

SCB 101

secondary transfer assembly  
131

secondary transfer roller 32

separation mylar 87

separation roller (tray 2) 31

service approach 5

stable cartridge 13

stapler assembly 107

stapler cover 54

toner cartridges 11

toner-collection sensor 123

toner-collection unit 15

tools, required 3

- tray 23
- tray extender 89
- tray-pickup assembly 164
- tray-pickup drive assembly 157
- USB cover 50
- repair approach 5
- replacing
  - parts 2
- replacing parts
  - service approach 5
- residual-toner-feed motor,
  - removing 126
- right-front cover, removing 69
- right-top cover, removing 75
- roller
  - pickup roller (Tray 1),
    - removing 25
  - pickup roller (Tray 2),
    - removing 27
- rollers
  - secondary transfer roller,
    - removing 131
  - separation roller (Tray 2),
    - removing 31

**S**

- SCB, removing 101
- screwdrivers, required 3
- screws
  - part numbers 220
  - replacing 2
  - types of 3
- secondary transfer roller,
  - removing 32
- sensors
  - environmental, removing 118
- separation mylar
  - removing 87
- service
  - approach 5
  - tools, required 3
- stable cartridge, removing 13
- stapler assembly, removing 107
- static precautions 3
- supplies
  - ordering 214
  - part numbers 215, 216

**T**

- TCU
  - part numbers 216
- tests
  - post-service 7
  - print-quality 7
- tips iii
- toner cartridges
  - removing 11
- toner collection unit
  - part numbers 216
  - removing 15
- toner-collection sensor, removing 123
- tools, required 3
- tray
  - pickup assembly, removing 164
  - pickup drive assembly,
    - removing 157
- tray extender
  - removing 89
- trays
  - removing 23
- troubleshooting
  - service approach 5

**U**

- USB cover
  - removing 50

**W**

- warnings iii
- Web sites
  - ordering supplies 214







CD644-90966

